



US00D888140S

(12) **United States Design Patent**  
**Elias**

(10) **Patent No.:** **US D888,140 S**

(45) **Date of Patent:** **\*\* Jun. 23, 2020**

(54) **TRIPOD MOUNT**

5,064,062 A 11/1991 Miller  
5,350,147 A 9/1994 Paganus  
5,458,306 A 10/1995 O'Farrill et al.  
D395,641 S 6/1998 Gaete

(Continued)

(71) Applicant: **James Harrison Elias**, Kolbermoor (DE)

(72) Inventor: **James Harrison Elias**, Kolbermoor (DE)

**FOREIGN PATENT DOCUMENTS**

(\*\*) Term: **15 Years**

CN 204284849 4/2015  
CN 205824551 12/2016

(Continued)

(21) Appl. No.: **29/671,809**

(22) Filed: **Nov. 29, 2018**

**OTHER PUBLICATIONS**

(51) **LOC (12) Cl.** ..... **16-05**

(52) **U.S. Cl.**

USPC ..... **D16/245**

(58) **Field of Classification Search**

USPC ..... D16/219, 237–250; D8/354, 355, 363,  
D8/373, 382–383, 394–396; D14/224,  
D14/229, 238, 251, 447, 451, 457

CPC ..... H04N 5/2253–2254; G03B 17/561–568;  
G03B 17/56; G02B 7/00–002; F16M  
11/14; F16M 11/06–10; A45F  
2200/0508–0533; A45F 5/00; A45F 5/10

See application file for complete search history.

OctoPadXL—Bundle with Manfrotto Universal Clamp. [online] Published Feb. 28, 2019. Retrieved Oct. 30, 2019 from URL: [https://www.amazon.com/OCTOPUS-CAMERA-OctoPad-XL-Manfrotto-Universal/dp/B07P62RCG5/ref=sr\\_1\\_47?keywords=octopad&qid=1572463898&sr=8-47.\\*](https://www.amazon.com/OCTOPUS-CAMERA-OctoPad-XL-Manfrotto-Universal/dp/B07P62RCG5/ref=sr_1_47?keywords=octopad&qid=1572463898&sr=8-47.*)

(Continued)

*Primary Examiner* — Vy N Koenig  
(74) *Attorney, Agent, or Firm* — Basch & Nickerson LLP; Michael J. Nickerson

(56) **References Cited**

**U.S. PATENT DOCUMENTS**

148,600 A 3/1874 Donn  
2,357,165 A 2/1944 Brady  
3,463,437 A 8/1969 Henderson  
D221,634 S 8/1971 Bradspies et al.  
D239,395 S \* 3/1976 David ..... D30/118  
4,162,696 A 7/1979 Sprung  
4,355,777 A 10/1982 Greenstreet  
4,501,401 A 2/1985 Conee  
4,516,767 A \* 5/1985 Eskijian ..... A63B 5/11  
482/27  
4,570,886 A 2/1986 Mooney  
4,606,524 A 8/1986 Conee  
4,788,916 A 12/1988 Saxton  
4,852,836 A 8/1989 Kawazoe  
D310,677 S 9/1990 Stidham, Jr. et al.  
D312,650 S 12/1990 Charrier

(57) **CLAIM**

The ornamental design for a tripod mount, as shown and described.

**DESCRIPTION**

FIG. 1 is a top, front and right perspective view of a tripod mount showing the new design in a typical use configuration;

FIG. 2 is a front view of the tripod mount;

FIG. 3 is a rear view of the tripod mount;

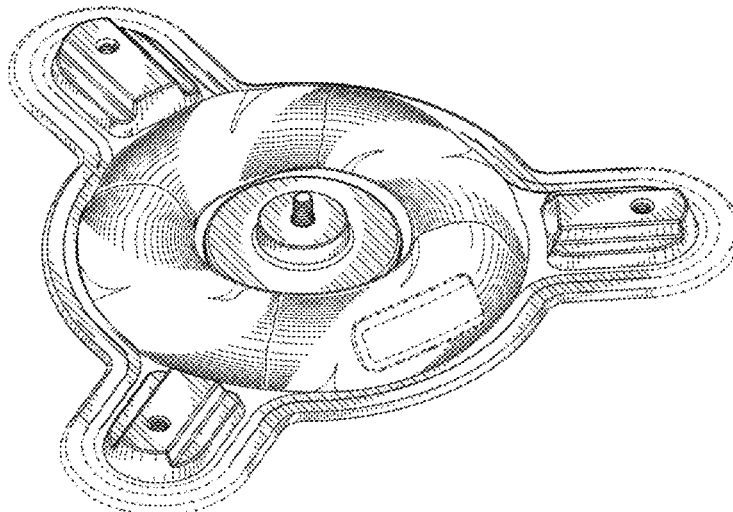
FIG. 4 is a left side view of the tripod mount;

FIG. 5 is right side view of the tripod mount; and,

FIG. 6 is a top view of the tripod mount.

The broken-lines in the drawings depict portions of the tripod mount that form no part of the claimed design.

**1 Claim, 3 Drawing Sheets**





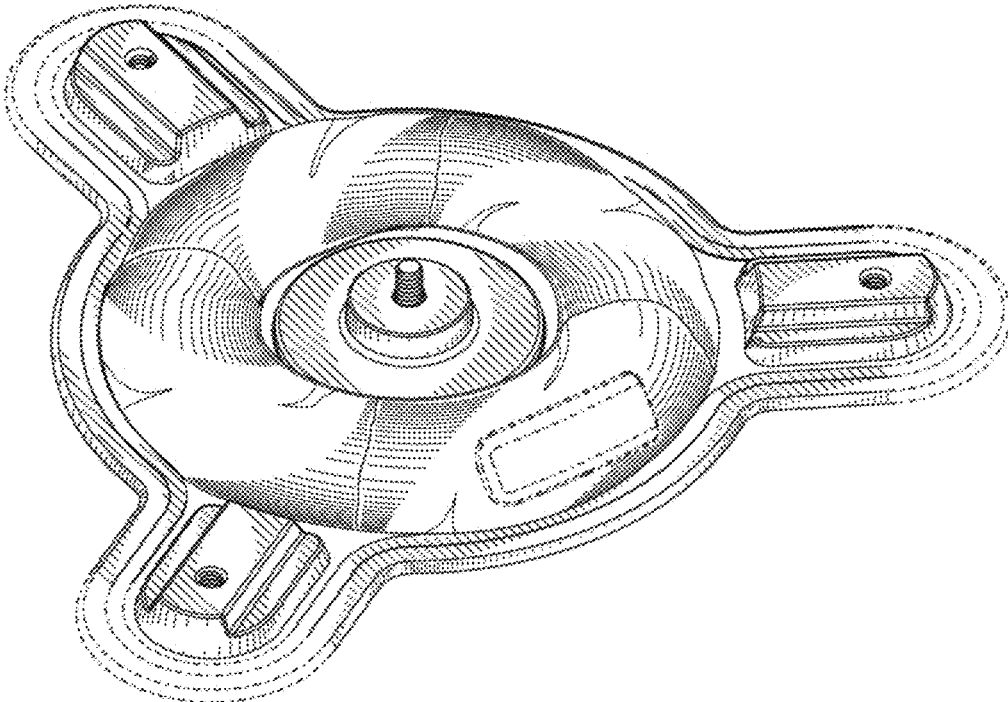


FIG. 1

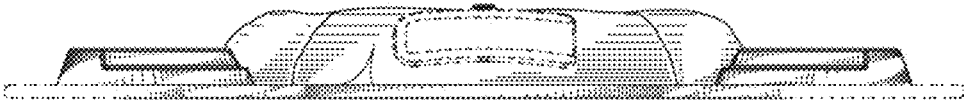


FIG. 2

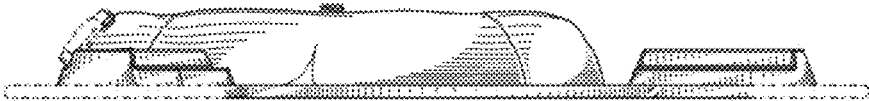


FIG. 3



FIG. 4

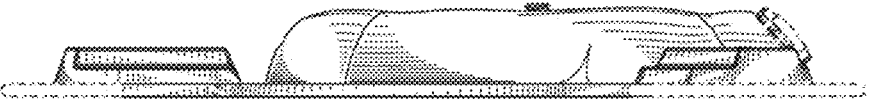


FIG. 5

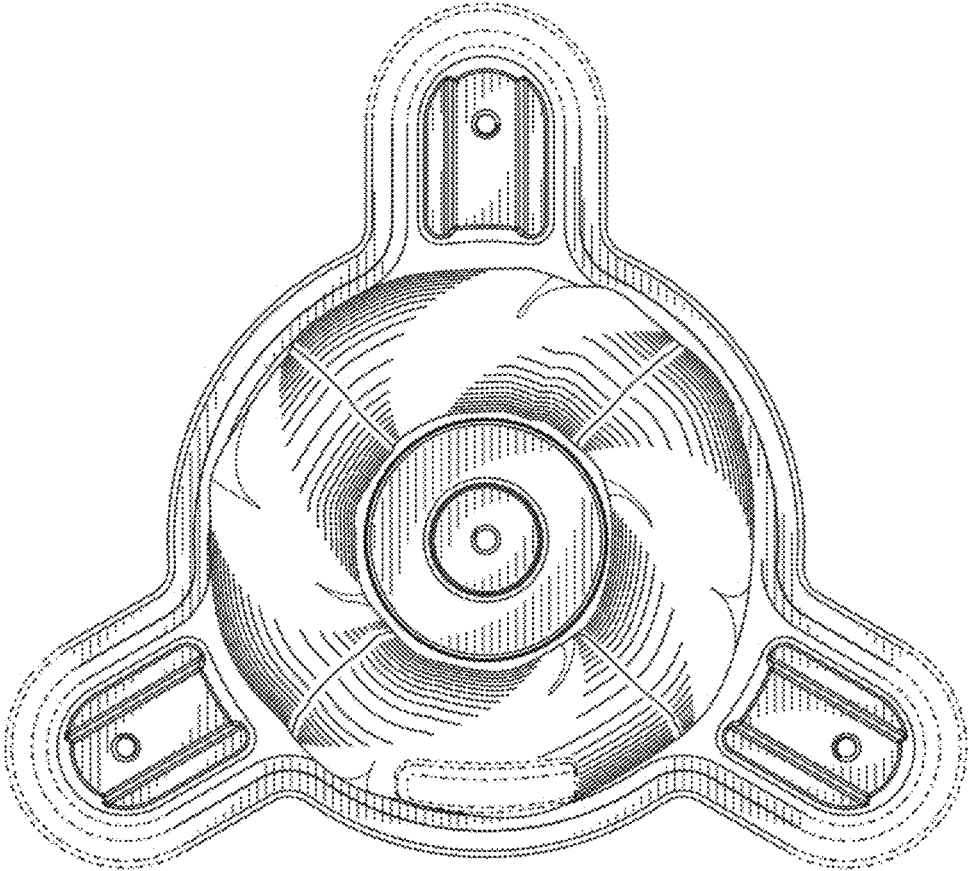


FIG. 6