

(19) World Intellectual Property Organization  
International Bureau



(43) International Publication Date  
26 April 2007 (26.04.2007)

PCT

(10) International Publication Number  
**WO 2007/047439 A3**

(51) International Patent Classification:  
A47L 1/02 (2006.01) A47L 7/00 (2006.01)

(74) Agent: BRUNELLI, Robert, R.; Sheridan Ross P.C.,  
1560 Broadway, Suite 1200, Denver, CO 80202-5141  
(US).

(21) International Application Number:  
PCT/US2006/040095

(81) Designated States (unless otherwise indicated, for every  
kind of national protection available): AE, AG, AL, AM,  
AT, AU, AZ, BA, BB, BG, BR, BW, BY, BZ, CA, CH, CN,  
CO, CR, CU, CZ, DE, DK, DM, DZ, EC, EE, EG, ES, FI,  
GB, GD, GE, GH, GM, HN, HR, HU, ID, IL, IN, IS, JP,  
KE, KG, KM, KN, KP, KR, KZ, LA, LC, LK, LR, LS, LT,  
LU, LV, LY, MA, MD, MG, MK, MN, MW, MX, MY, MZ,  
NA, NG, NI, NO, NZ, OM, PG, PH, PL, PT, RO, RS, RU,  
SC, SD, SE, SG, SK, SL, SM, SV, SY, TJ, TM, TN, TR,  
TT, TZ, UA, UG, US, UZ, VC, VN, ZA, ZM, ZW.

(22) International Filing Date: 11 October 2006 (11.10.2006)

(25) Filing Language: English

(26) Publication Language: English

(30) Priority Data:  
11/253,100 17 October 2005 (17.10.2005) US

(71) Applicant (for all designated States except US): CASTLE  
ROCK INDUSTRIES, INC. [US/US]; 1351 West Stan-  
ford Avenue, Englewood, CO 80110 (US).

(84) Designated States (unless otherwise indicated, for every  
kind of regional protection available): ARIPO (BW, GH,  
GM, KE, LS, MW, MZ, NA, SD, SL, SZ, TZ, UG, ZM,  
ZW), Eurasian (AM, AZ, BY, KG, KZ, MD, RU, TJ, TM),  
European (AT, BE, BG, CH, CY, CZ, DE, DK, EE, ES, FI,  
FR, GB, GR, HU, IE, IS, IT, LT, LU, LV, MC, NL, PL, PT,  
RO, SE, SI, SK, TR), OAPI (BF, BJ, CF, CG, CI, CM, GA,  
GN, GQ, GW, ML, MR, NE, SN, TD, TG).

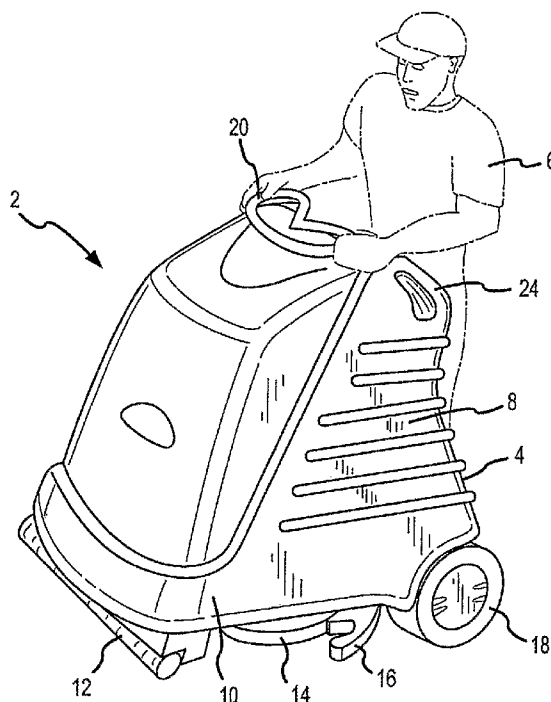
(72) Inventors; and

(75) Inventors/Applicants (for US only): VENARD, Daniel,  
C. [US/US]; 1566 E. Mineral Avenue, Centennial, CO  
80122 (US). TRAN, Loi, X. [US/US]; 10638 Wynspire  
Way, Highlands Ranch, CO 80103 (US). WARE, Richard,  
L. [US/US]; 14694 East Walsh Drive, Aurora, CO 80012  
(US).

Published:  
— with international search report

[Continued on next page]

(54) Title: FLOATING DECK FOR USE WITH A FLOOR CLEANING APPARATUS



(57) Abstract: The present invention relates generally to a floor treatment component that is designed such that as it passes over an uneven surface it applies a substantially constant downward force to the uneven surface. Specifically, systems for connecting the floor treatment component to a floor treatment apparatus are described.

WO 2007/047439 A3



— *before the expiration of the time limit for amending the claims and to be republished in the event of receipt of amendments*

*For two-letter codes and other abbreviations, refer to the "Guidance Notes on Codes and Abbreviations" appearing at the beginning of each regular issue of the PCT Gazette.*

**(88) Date of publication of the international search report:**

12 July 2007

INTERNATIONAL SEARCH REPORT

International application No.

PCT/US 06/40095

A. CLASSIFICATION OF SUBJECT MATTER

IPC(8): A47L 1/02, 7/00 (2007.01)

USPC: 15/98, 320

According to International Patent Classification (IPC) or to both national classification and IPC

B. FIELDS SEARCHED

Minimum documentation searched (classification system followed by classification symbols)

USPC: 15/49.1, 15/98, 15/320, 15/359, 15/401, 15/340.1, 15/340.2, 15/340.3, 15/340.4

Documentation searched other than minimum documentation to the extent that such documents are included in the fields searched

Electronic data base consulted during the international search (name of data base and, where practicable, search terms used)

USPTO-PubWEST: (USPT, PGPB, EPAB, JPAB)

Search term: mower, riding, attachment, deck, pivot, etc.

C. DOCUMENTS CONSIDERED TO BE RELEVANT

Category*	Citation of document, with indication, where appropriate, of the relevant passages	Relevant to claim No.
X	US 3,206,787 A (DANIELS et al) 21 September 1965 (21.09.1965), col, 6, ln 15-52 and fig 2, 5, 7 and 8.	1-4, 6, 8-11 and 13
X	US 6,397,429 B1 (LEGATT et al) 04 June 2002 (04.06.2002), col 4, ln 7 to col 6, ln 14 and fig 6 and 7.	5, 7, 12 and 14-20
A	US 6,088,873 A (PACCHINI et al) 18 July 2000 (18.07.2000), fig 3 and 4	1-20
A	US 4,339,841 A (WALDHAUSER et al) 20 July 1982 (20.07.1982), fig 4.	1-20
A	US 4,293,971 A (BLOCK) 13 October 1981 (13.10.1981), fig 1-4.	1-20
A	US 4,037,289 A (DOJAN) 26 July 1977 (26.07.1977), fig 3.	1-20
A	US 3,065,490 A (ARONES) 27 November 1962 (27.11.1962), fig 1 and 2.	1-20
A	US 1,995,084 A (WICHLE) 19 March 1935 (19.03.1935), col 2, ln 44.	1-20

Further documents are listed in the continuation of Box C.

* Special categories of cited documents:	"T" later document published after the international filing date or priority date and not in conflict with the application but cited to understand the principle or theory underlying the invention
"A" document defining the general state of the art which is not considered to be of particular relevance	"X" document of particular relevance; the claimed invention cannot be considered novel or cannot be considered to involve an inventive step when the document is taken alone
"E" earlier application or patent but published on or after the international filing date	"Y" document of particular relevance; the claimed invention cannot be considered to involve an inventive step when the document is combined with one or more other such documents, such combination being obvious to a person skilled in the art
"L" document which may throw doubts on priority claim(s) or which is cited to establish the publication date of another citation or other special reason (as specified)	"&" document member of the same patent family
"O" document referring to an oral disclosure, use, exhibition or other means	
"P" document published prior to the international filing date but later than the priority date claimed	

Date of the actual completion of the international search 02 March 2007 (02.03.2007)	Date of mailing of the international search report <b>24 MAY 2007</b>
Name and mailing address of the ISA/US Mail Stop PCT, Attn: ISA/US, Commissioner for Patents P.O. Box 1450, Alexandria, Virginia 22313-1450 Facsimile No. 571-273-3201	Authorized officer: Lee W. Young PCT Helpdesk: 571-272-4300 PCT QSP: 571-272-7774