



US00D977539S

(12) **United States Design Patent** (10) **Patent No.:** **US D977,539 S**
Flodman et al. (45) **Date of Patent:** **** Feb. 7, 2023**

(54) **MILLING CUTTER TOOL** 33/134; E21B 34/12; E21B 43/08; E21B
43/108; E21B 47/00; E21B 47/09; E21B
(71) Applicant: **SECO TOOLS AB**, Fagersta (SE) 47/12; E21B 47/122; E21B 4/02; E21B
7/061; E21B 7/068
(72) Inventors: **Rikard Flodman**, Arboga (SE); **Kent
Karlsson**, Fellingsbro (SE) See application file for complete search history.

(73) Assignee: **SECO TOOLS AB**, Fagersta (SE)
(**) Term: **15 Years**

(21) Appl. No.: **29/774,914**

(22) Filed: **Mar. 19, 2021**

Related U.S. Application Data

(62) Division of application No. 29/681,693, filed on Feb.
27, 2019, now Pat. No. Des. 926,847.

Foreign Application Priority Data

Aug. 29, 2018 (EM) 005623543-0001
Aug. 29, 2018 (EM) 005623543-0002
Aug. 29, 2018 (EM) 005623543-0003
Aug. 29, 2018 (EM) 005623543-0004
Aug. 29, 2018 (EM) 005623543-0005
Aug. 29, 2018 (EM) 005623543-0006

(51) **LOC (14) CL.** **15-03**

(52) **U.S. CL.**
USPC **D15/139**

Field of Classification Search

USPC D15/128, 131, 138, 139, 140
CPC E21B 33/1208; E21B 23/00; E21B 10/00;
E21B 10/42; E21B 10/54; E21B 10/55;
E21B 10/602; E21B 17/00; E21B 17/023;
E21B 17/06; E21B 19/14; E21B 19/155;
E21B 21/103; E21B 23/02; E21B 23/14;
E21B 29/00; E21B 29/005; E21B 29/02;
E21B 29/06; E21B 31/107; E21B 31/113;
E21B 31/12; E21B 33/12; E21B 33/128;
E21B 33/129; E21B 33/1293; E21B

(56) **References Cited**

U.S. PATENT DOCUMENTS

D250,388 S * 11/1978 Rantanen D15/21
D635,599 S * 4/2011 Furseth D15/139
D768,742 S * 10/2016 Charbonneau D15/139
D812,115 S * 3/2018 MacLennan B27B 33/12
D15/139
D823,909 S * 7/2018 Kawakami D15/139
D832,319 S * 10/2018 Muthuswamy D15/139
D851,145 S * 6/2019 Davis D15/139
D856,386 S * 8/2019 Banjo D15/139
D857,768 S * 8/2019 Rhode D15/139
D862,542 S * 10/2019 Maeda D15/139
D863,382 S * 10/2019 Abe D15/139
D879,168 S * 3/2020 Zhao D15/139

(Continued)

Primary Examiner — Khawaja Anwar

(74) *Attorney, Agent, or Firm* — Volpe Koenig

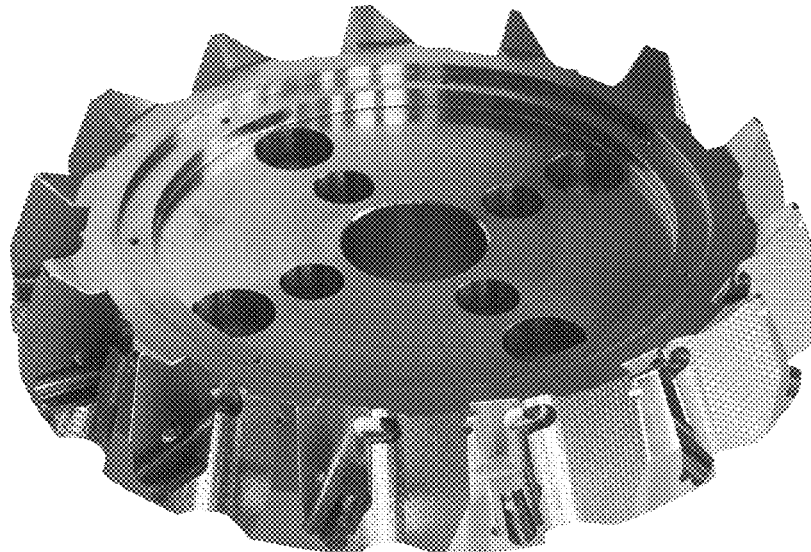
(57) **CLAIM**

We claim the ornamental design for a milling cutter tool, as
shown and described.

DESCRIPTION

FIG. 1 is a perspective view of a milling cutter tool in
accordance with our design;
FIG. 2 is a top plan view thereof;
FIG. 3 is a front elevational view thereof;
FIG. 4 is a left side elevational view thereof;
FIG. 5 is a rear elevational view thereof;
FIG. 6 is a right side elevational view thereof; and,
FIG. 7 is a bottom plan view thereof.

1 Claim, 7 Drawing Sheets



(56)

References Cited

U.S. PATENT DOCUMENTS

D896,850 S * 9/2020 Stark D15/29
2007/0231088 A1 10/2007 Waggle et al.

* cited by examiner

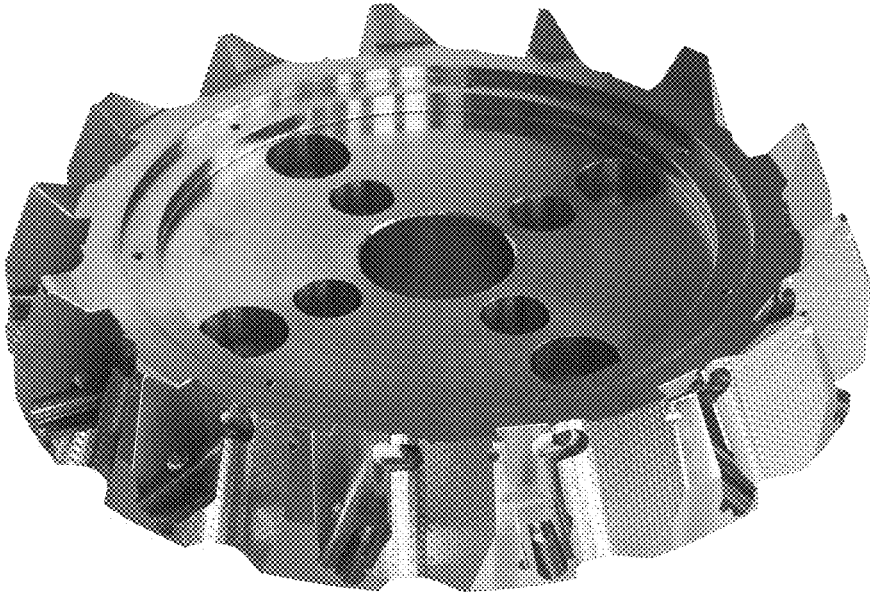


Fig. 1



Fig. 2

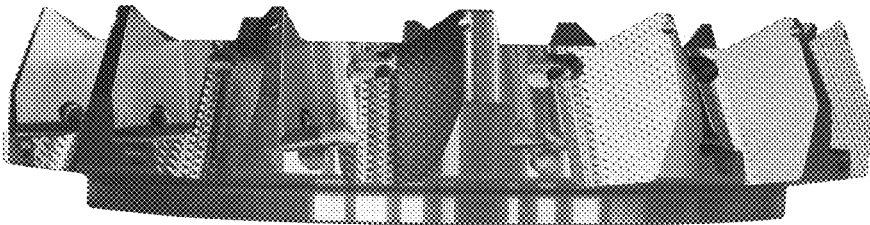


Fig. 3

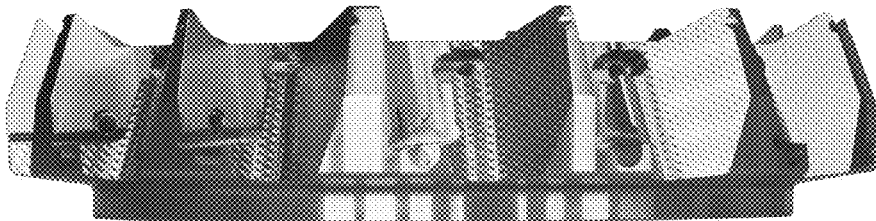


Fig. 4



Fig. 5

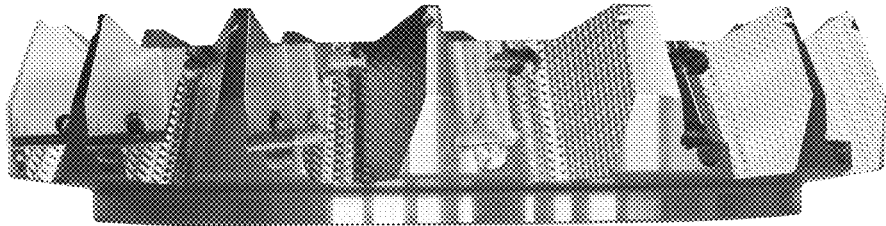


Fig. 6

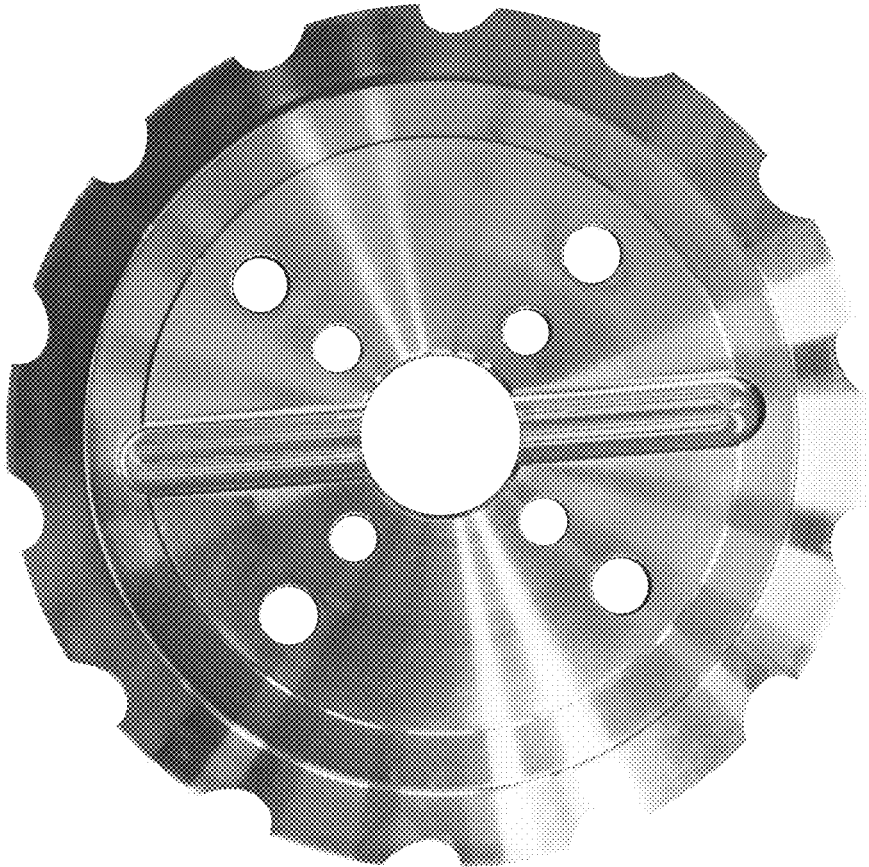


Fig. 7