



US00D986379S

(12) **United States Design Patent**
Upadhyaya

(10) **Patent No.:** **US D986,379 S**

(45) **Date of Patent:** **** May 16, 2023**

(54) **FAUCET SPRAYHEAD**

(71) Applicant: **DELTA FAUCET COMPANY,**
Indianapolis, IN (US)

(72) Inventor: **Alexandra Upadhyaya,** Midlothian, VA
(US)

(73) Assignee: **DELTA FAUCET COMPANY,**
Indianapolis, IN (US)

(**) Term: **15 Years**

(21) Appl. No.: **29/779,556**

(22) Filed: **Apr. 20, 2021**

(51) **LOC (14) Cl.** **23-01**

(52) **U.S. Cl.**
USPC **D23/226**

(58) **Field of Classification Search**
USPC D23/213, 214, 223, 224, 225, 226, 227,
D23/228, 229, 230, 238, 239, 240, 241,
D23/242, 249, 250, 255, 257
CPC B05B 1/16; B05B 1/1618; B05B 1/18;
B05B 1/185; B05B 15/62; B05B 15/652;
F16K 31/60; E03C 1/0404
See application file for complete search history.

(56) **References Cited**

U.S. PATENT DOCUMENTS

D802,091 S *	11/2017	Bahler	D23/257
D866,707 S *	11/2019	Eads	D23/213
D866,708 S *	11/2019	Bahler	D23/213
D867,522 S *	11/2019	Tentler	D23/213
D867,523 S *	11/2019	Tentler	D23/213
D867,524 S *	11/2019	Tentler	D23/213
D867,525 S *	11/2019	Eads	D23/213
D867,526 S *	11/2019	Garland	D23/213
D867,527 S *	11/2019	Eads	D23/213
D870,235 S *	12/2019	Tentler	D23/213
D870,845 S *	12/2019	Eads	D23/213
D881,341 S *	4/2020	Garland	D23/213
D929,541 S *	8/2021	Liang	D23/226

D930,118 S *	9/2021	Elser	D23/238
D936,790 S *	11/2021	Stoler	D23/226
D939,048 S *	12/2021	Fritz	D23/226
D939,050 S *	12/2021	Stoler	D23/226
D946,112 S *	3/2022	Elser	D23/213
D946,115 S *	3/2022	Stoler	D23/226

(Continued)

FOREIGN PATENT DOCUMENTS

CA	183133	*	11/2020
CA	201503	*	8/2022

OTHER PUBLICATIONS

IFealClear Pull Out Spray Head, available in Amazon.com, date first available May 20, 2020 [online], [site visited Sep. 8, 2022], Available from the internet URL: <https://www.amazon.com/dp/B088W8QHK5?tag=findthisbest-20&linkCode=osi&th=1> (Year: 2020).*

(Continued)

Primary Examiner — Amy C Wierenga
Assistant Examiner — Kathryn Elizabeth Zieno
(74) *Attorney, Agent, or Firm* — Jeffrey L. Doyle

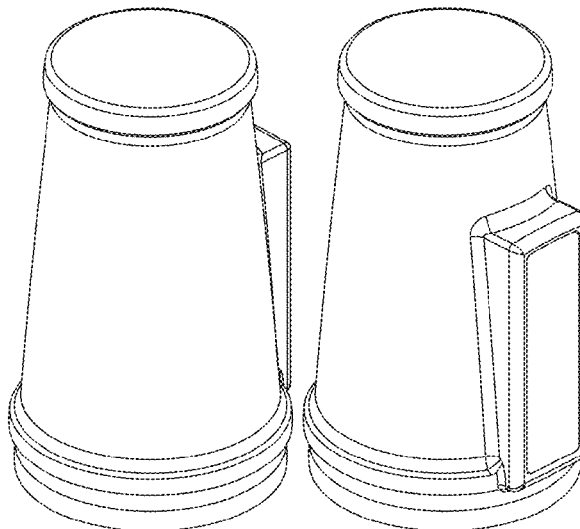
(57) **CLAIM**

The ornamental design for a faucet sprayhead, as shown and described.

DESCRIPTION

FIG. 1 is a front perspective view of a faucet sprayhead showing my new design;
FIG. 2 is a rear perspective view thereof;
FIG. 3 is a front elevational view thereof;
FIG. 4 is a left side view thereof;
FIG. 5 is rear view thereof;
FIG. 6 is a right side view thereof;
FIG. 7 is a top plan view thereof; and,
FIG. 8 is a bottom view thereof.

1 Claim, 4 Drawing Sheets



(56)

References Cited

U.S. PATENT DOCUMENTS

D946,116	S	*	3/2022	Elser	D23/226
D946,708	S	*	3/2022	Stoler	D23/226
D947,321	S	*	3/2022	Stoler	D23/226
D947,322	S	*	3/2022	Spangler	D23/226
D948,666	S	*	4/2022	Miller	D23/226
D954,184	S	*	6/2022	Eads	D23/238
D954,197	S	*	6/2022	Fritz	D23/238
D962,391	S	*	8/2022	Stoler	D23/238

OTHER PUBLICATIONS

Delta Zalia, available in Amazon.com, date first available Feb. 21, 2018 [online], [site visited Sep. 8, 2022], Available from the internet URL: <https://www.amazon.com/Delta-Zalia-19781Z-SPSD-DST-Kitchen-Faucet/dp/B079YKZL2W> (Year: 2018).*

* cited by examiner

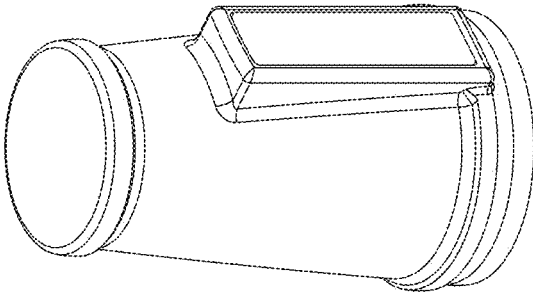


FIG - 2

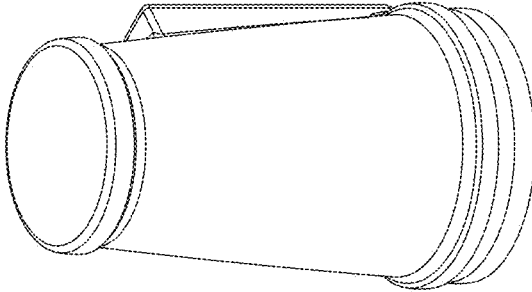


FIG - 1

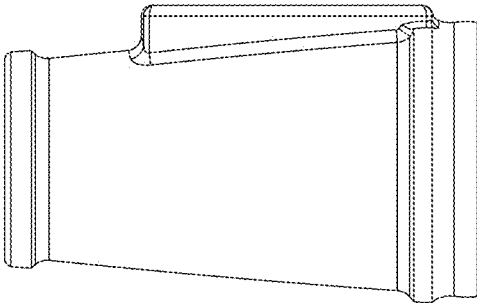


FIG - 4

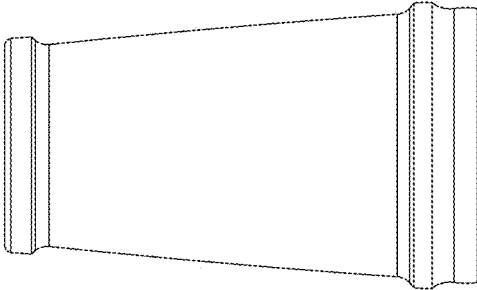


FIG - 3

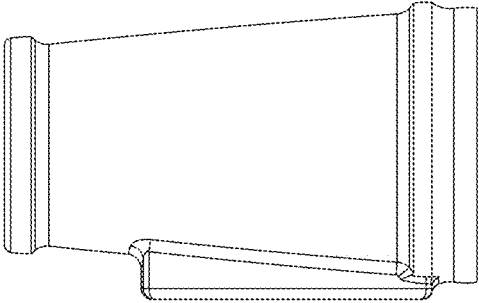


FIG - 6

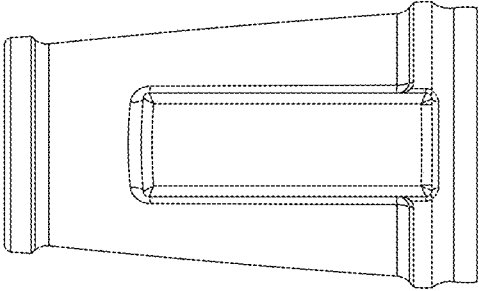


FIG - 5

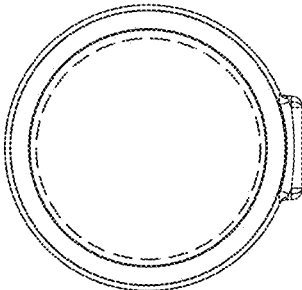


FIG - 8

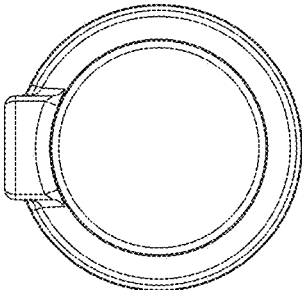


FIG - 7