



US00D511079S

(12) **United States Design Patent**
Ozawa et al.

(10) **Patent No.:** **US D511,079 S**

(45) **Date of Patent:** **** Nov. 1, 2005**

(54) **PORTABLE ELECTRIC ROUTER**

(75) Inventors: **Takashi Ozawa**, Hitachinaka (JP);
Masato Sakai, Hitachinaka (JP);
Takeshi Taniguchi, Hitachinaka (JP);
Akira Onose, Hitachinaka (JP); **Hiroki Uchida**, Hitachinaka (JP)

(73) Assignee: **Hitachi Koki Co., Ltd.**, Tokyo (JP)

(**) Term: **14 Years**

(21) Appl. No.: **29/214,026**

(22) Filed: **Sep. 28, 2004**

(30) **Foreign Application Priority Data**

Mar. 30, 2004 (JP) 2004-009733

(51) **LOC (8) Cl.** **08-01**

(52) **U.S. Cl.** **D8/67**

(58) **Field of Search** D8/61, 62, 67;
144/134.1, 135.2, 136.1, 136.95, 154.5,
252.1; 409/180, 181, 182; 451/344, 356,
357

(56) **References Cited**

U.S. PATENT DOCUMENTS

5,370,165 A * 12/1994 Stornetta 144/144.1

5,909,987 A * 6/1999 Coffey et al. 409/131
5,913,645 A * 6/1999 Coffey 409/182
D470,736 S * 2/2003 Lopano D8/67
D495,226 S * 8/2004 Grant et al. D8/61
2003/0188441 A1 * 10/2003 Patton 30/381

* cited by examiner

Primary Examiner—Elizabeth Albert

(74) *Attorney, Agent, or Firm*—Sughrue Mion, PLLC

(57) **CLAIM**

The ornamental design for a portable electric router, as shown and described.

DESCRIPTION

FIG. 1 is a perspective view of the top, front and right side of a portable electric router showing our new design; FIG. 2 is a front elevational view thereof; FIG. 3 is a rear elevational view thereof; FIG. 4 is a left side elevational view thereof; FIG. 5 is a right side elevational view thereof; FIG. 6 is a top plan view thereof; and, FIG. 7 is a perspective view similar to FIG. 1 in the extended position.

1 Claim, 7 Drawing Sheets

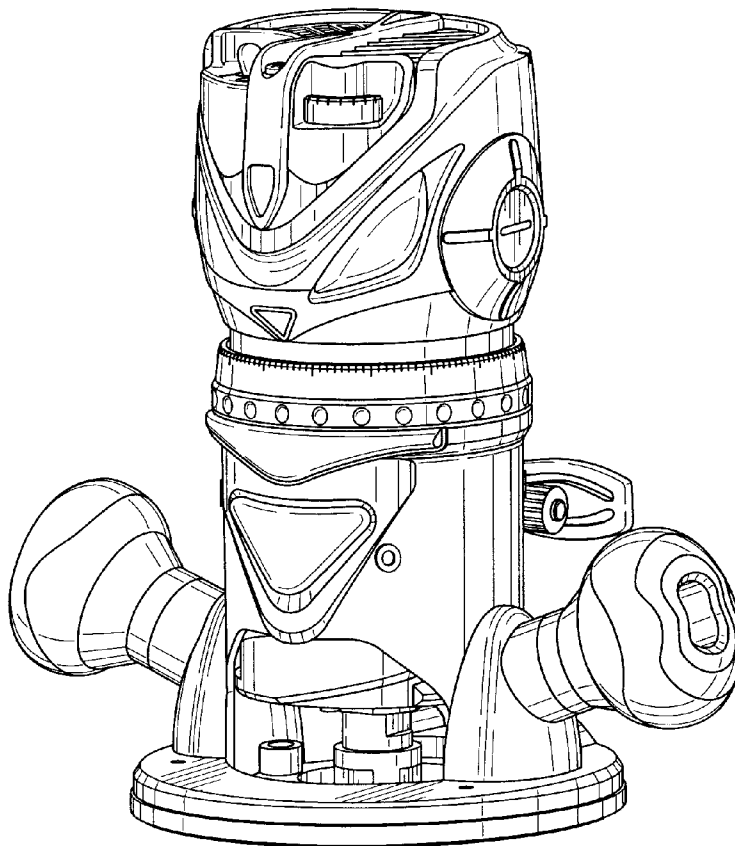


FIG. 1

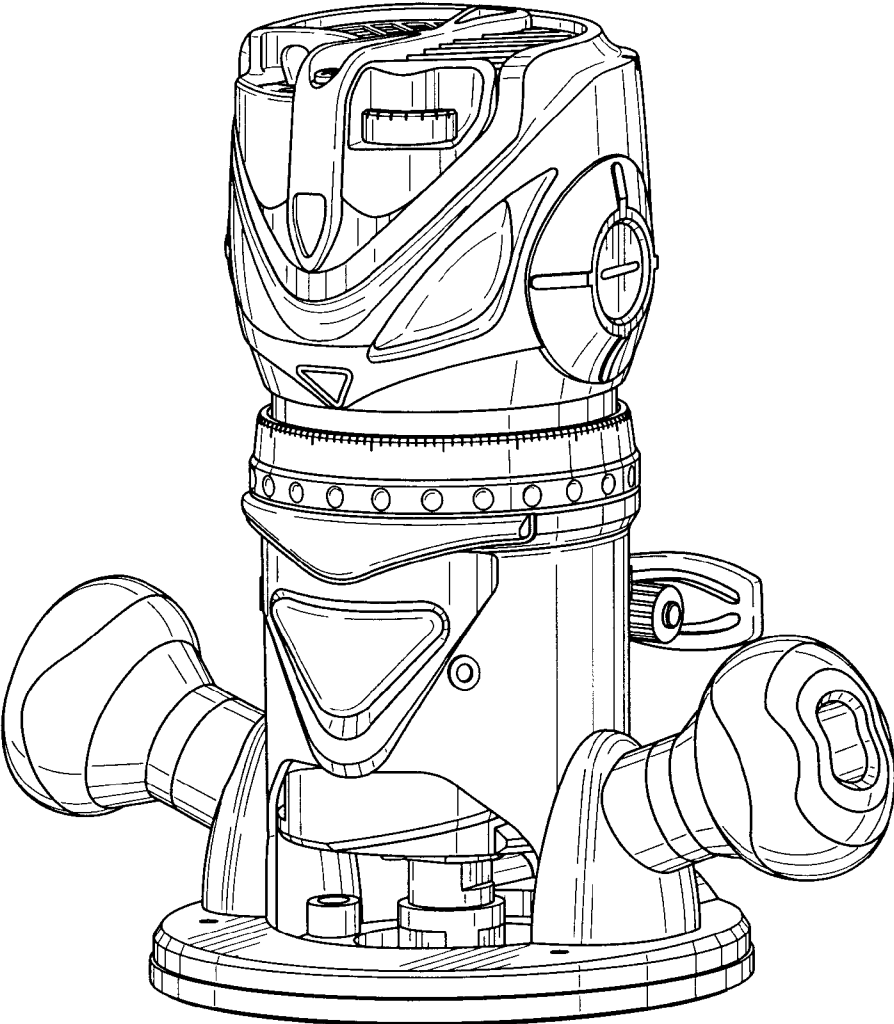


FIG. 2

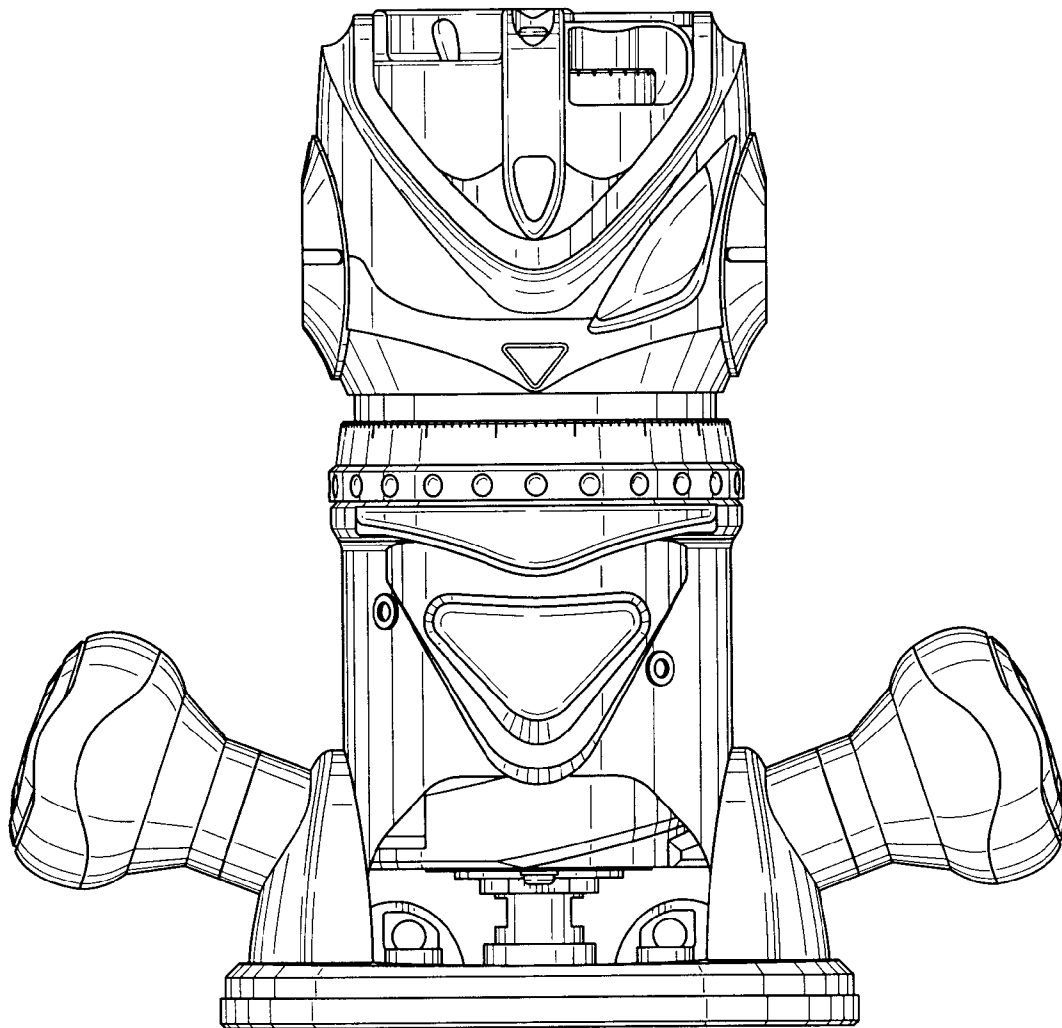


FIG. 3

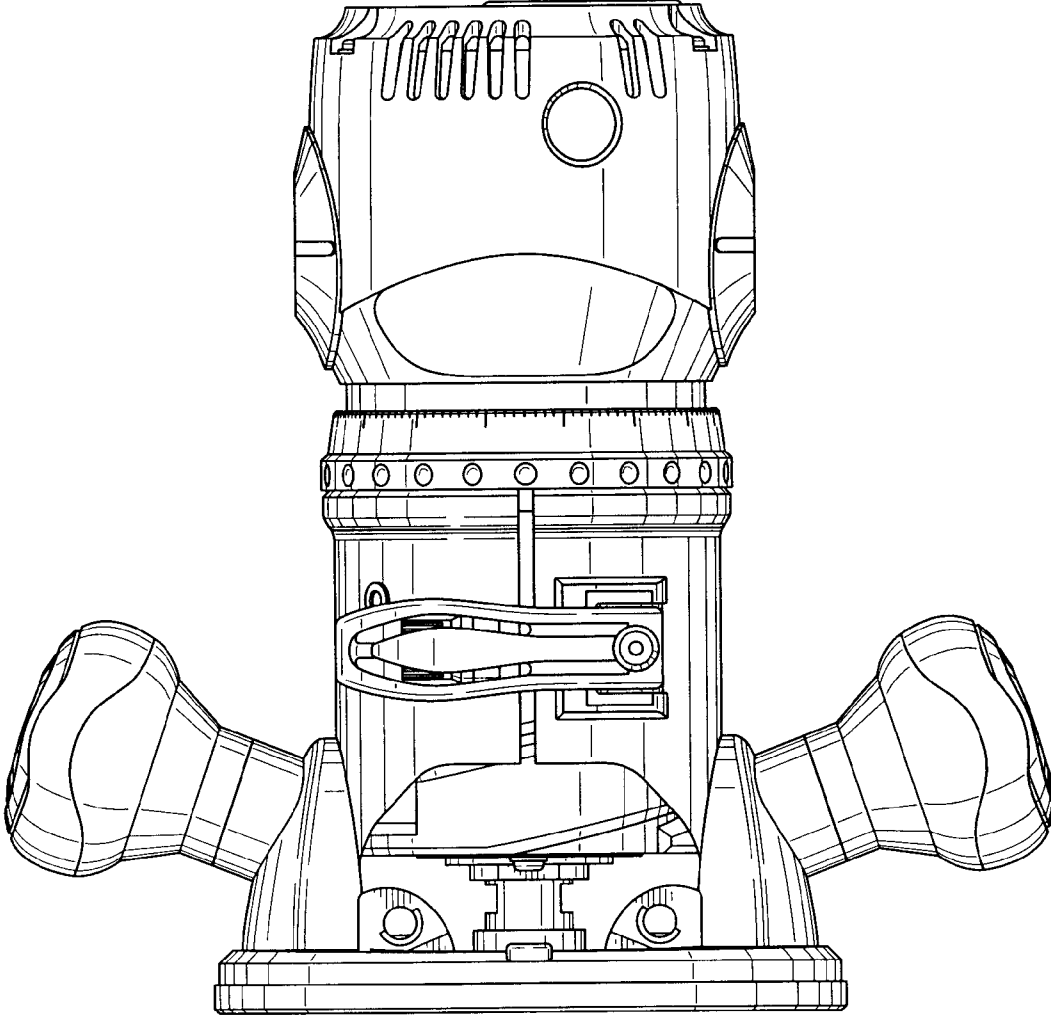


FIG. 4

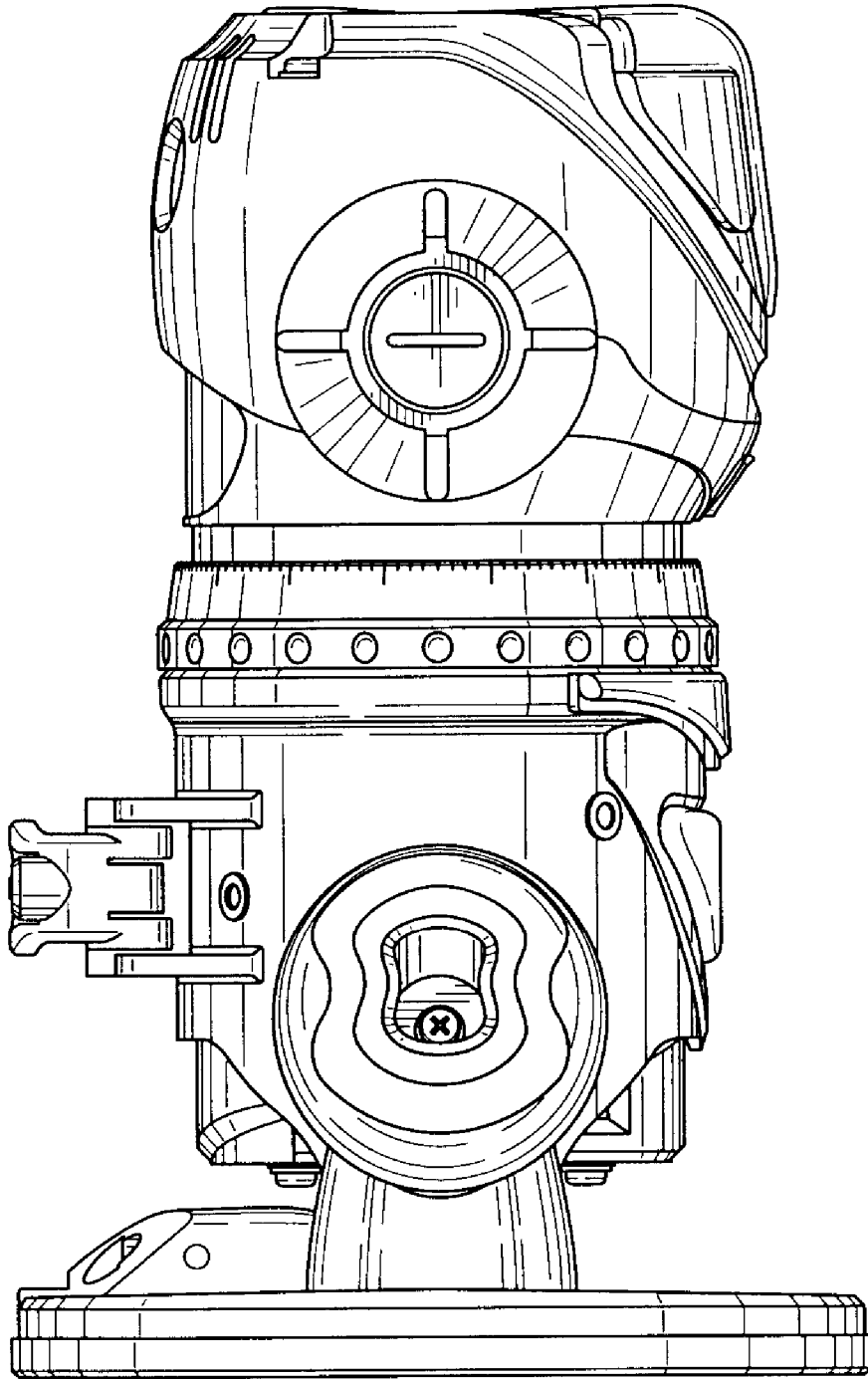


FIG. 5

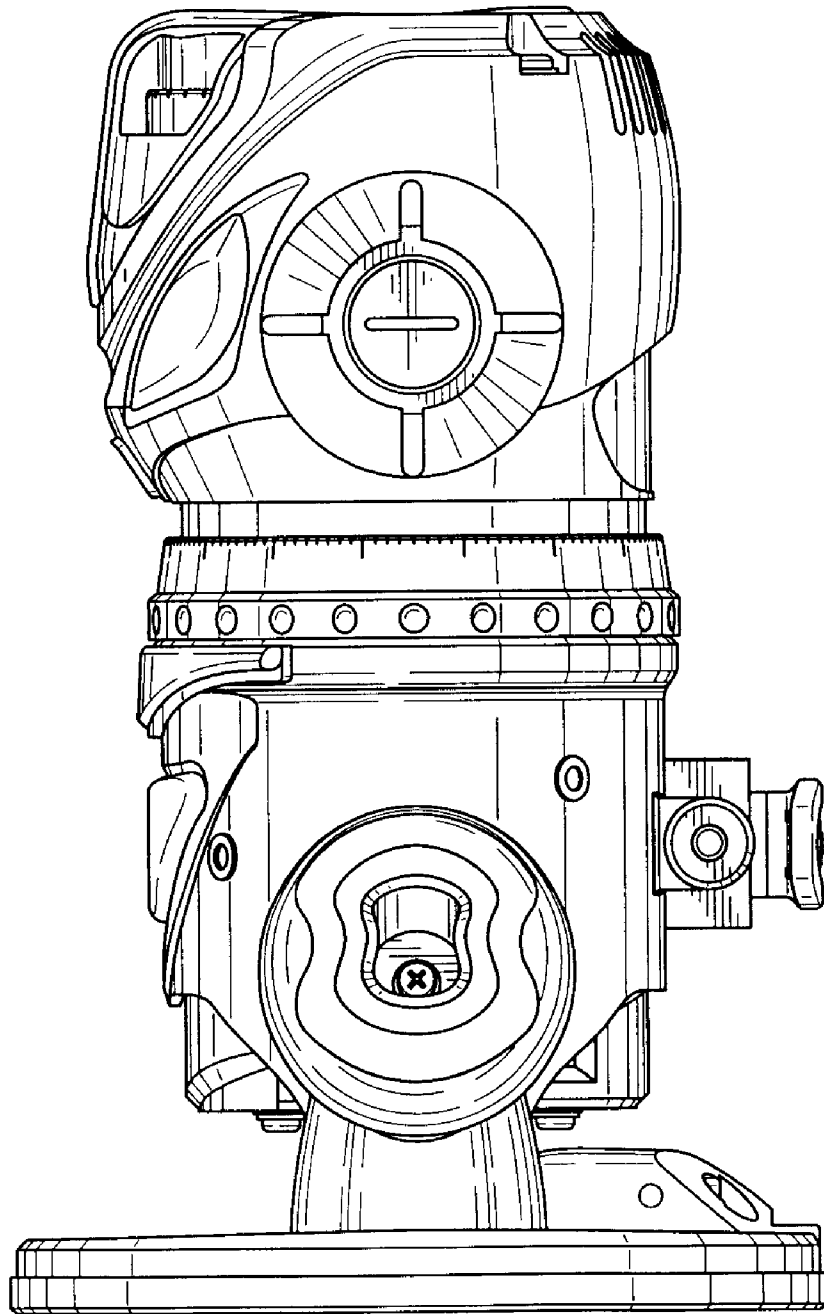


FIG. 6

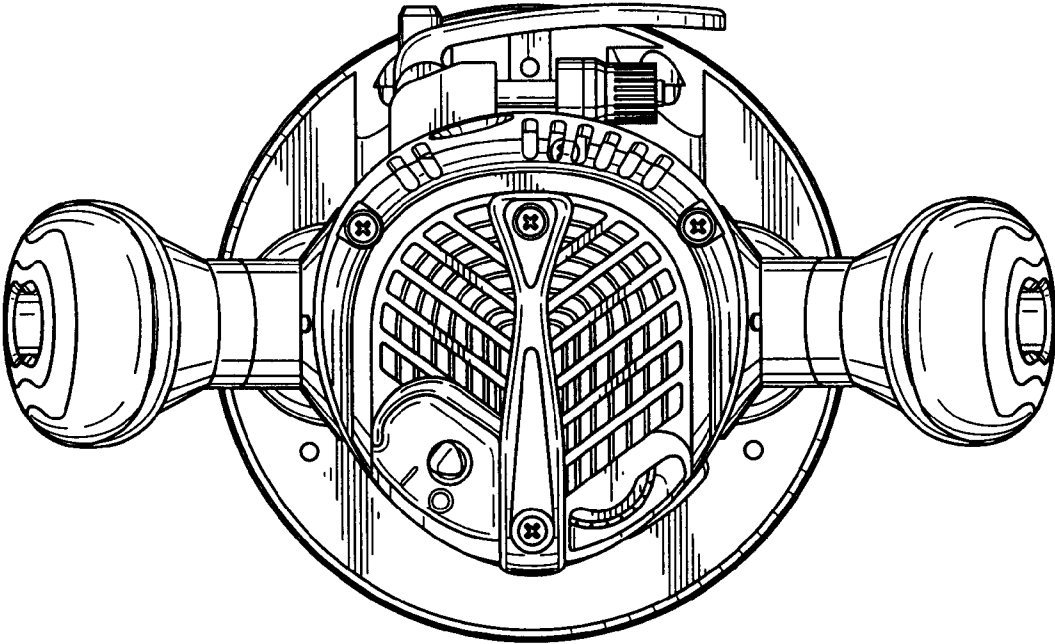


FIG 7

