



US00D867204S

(12) **United States Design Patent**
Halverson

(10) **Patent No.:** **US D867,204 S**

(45) **Date of Patent:** **** Nov. 19, 2019**

(54) **MINIATURE STEAMBOAT MEMENTO**

(71) Applicant: **Daryll Halverson**, Eloy, AZ (US)

(72) Inventor: **Daryll Halverson**, Eloy, AZ (US)

(**) Term: **15 Years**

(21) Appl. No.: **29/611,103**

(22) Filed: **Jul. 18, 2017**

(51) **LOC (12) Cl.** **11-02**

(52) **U.S. Cl.**
USPC **D11/163; D21/543**

(58) **Field of Classification Search**
USPC D11/40, 43, 44, 72, 79, 81, 112, 131,
D11/138, 141, 163, 184; D21/542-546,
D21/833; D20/35; D12/300, 306;
D22/126, 129, 130, 132; 114/242, 138;
440/90

CPC B63H 5/02; A63H 23/04
See application file for complete search history.

(56) **References Cited**

U.S. PATENT DOCUMENTS

254,878	A *	3/1882	Little	B63B 35/70 114/246
618,555	A *	1/1899	Belz	B63H 16/18 416/173
1,540,259	A *	6/1925	Dravo	B63H 5/02 440/90
1,643,918	A *	9/1927	Becker	A63H 33/007 446/238
1,681,878	A *	8/1928	Prince	A63H 33/16 446/88
1,814,837	A *	7/1931	Leiber	A63H 23/04 446/164

(Continued)

OTHER PUBLICATIONS

Vintage Wooden Toy Paddle Wheel Boat, Rubber Band Powered, available Mar. 8, 2019, [online], [site visited Jun. 3, 2019]. Avail-

able from internet, URL: <https://www.ebay.ca/itm/264175576479>
(Year: 2019).*

(Continued)

Primary Examiner — W. A. Teddy Falloway
(74) *Attorney, Agent, or Firm* — Invention To Patent Services; Alex Hobson

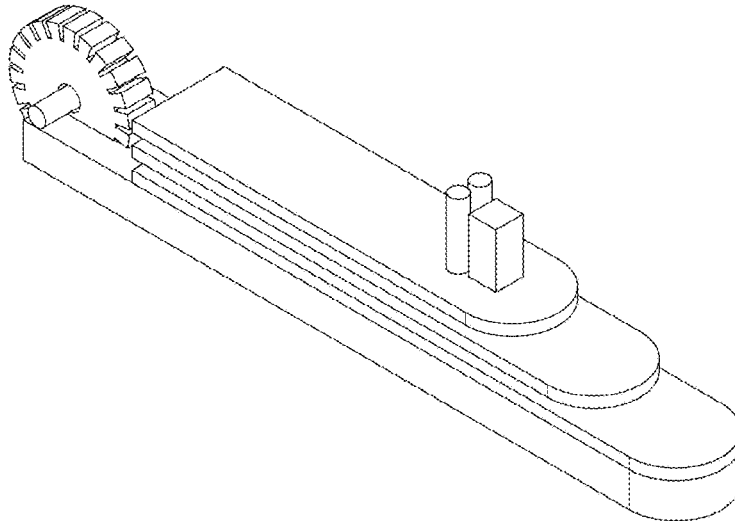
(57) **CLAIM**

The ornamental design for a miniature steamboat memento, as shown and described.

DESCRIPTION

FIG. 1 is a top-right-rear perspective view of my miniature steamboat memento showing my new design; FIG. 2 is a top-left-front perspective view of the miniature steamboat memento thereof; FIG. 3 is a bottom-right-rear perspective view of the miniature steamboat memento thereof; FIG. 4 is a bottom-left-front perspective view of the miniature steamboat memento thereof; FIG. 5 is a top view of the miniature steamboat memento thereof; FIG. 6 is a bottom view of the miniature steamboat memento thereof; FIG. 7 is a left-side view of the miniature steamboat memento thereof; FIG. 8 is a rear view of the miniature steamboat memento thereof; FIG. 9 is a front view of the miniature steamboat memento thereof; and, FIG. 10 is a right-side view of the miniature steamboat memento thereof. The miniature steamboat memento (“miniature steamboat”) is characterized by various parts including a including a paddle wheel assembly, a wheelhouse, dual smokestacks, a base, a primary deck, a secondary deck, a top deck.

1 Claim, 10 Drawing Sheets



(56)

References Cited

2002/0138960 A1* 10/2002 Elliott A47G 33/004
29/428

U.S. PATENT DOCUMENTS

2,294,104 A * 8/1942 Waddington B63H 1/06
440/90
3,371,637 A * 3/1968 Woodall B63H 5/04
114/58
D253,664 S * 12/1979 Hughes D21/543
D254,381 S * 3/1980 Holden D21/543
4,279,603 A * 7/1981 Harcourt B60F 3/0007
440/90
D262,948 S * 2/1982 Mayenschein D10/12
D266,684 S * 10/1982 Hughes D21/543
5,785,564 A * 7/1998 Von Ohain B63H 5/02
114/274
5,850,801 A * 12/1998 Grimmig B63B 35/28
114/242
6,264,518 B1 * 7/2001 Price B63H 5/02
114/162
7,090,553 B1 * 8/2006 Seiford, Sr. B63H 5/02
440/90
D784,723 S * 4/2017 Bunch D6/534

OTHER PUBLICATIONS

Vtg Wooden Paddle Wheel Steam Boat River Boat, available Apr. 19, 2019, [online], [site visited Jun. 3, 2019]. Available from internet, URL: <https://www.ebay.ca/itm/153427825397> (Year: 2019).*

Vintage Wooden Toy Paddle Wheel Boat, Rubber Band Powered, Retro, available Jun. 3, 2019, [online], [site visited Jun. 3, 2019]. Available from internet, URL: <https://www.ebay.ca/itm/VINTAGE-WOODEN-TOY-PADDLE-WHEEL-BOAT-RUBBER-BAND-POWERED-RETRO/123783003831> (Year: 2019).*

Paddle Wheel Boat Double Decker, available Jun. 3, 2019, [online], [site visited Jun. 3, 2019]. Available from internet, URL: <https://www.worthpoint.com/worthopedia/paddle-wheel-boat-double-decker-3-x-1-440191706> (Year: 2019).*

* cited by examiner

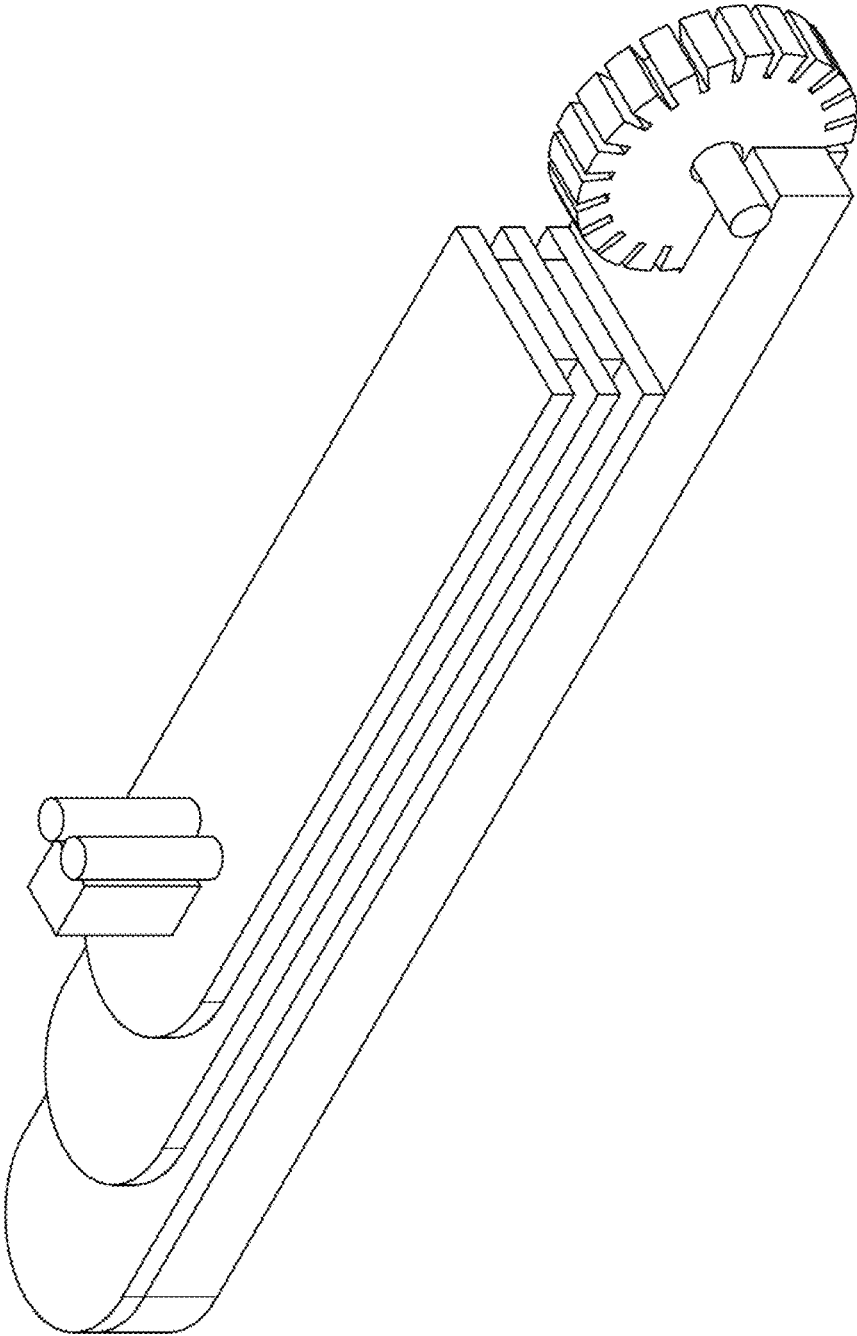


FIG. 1

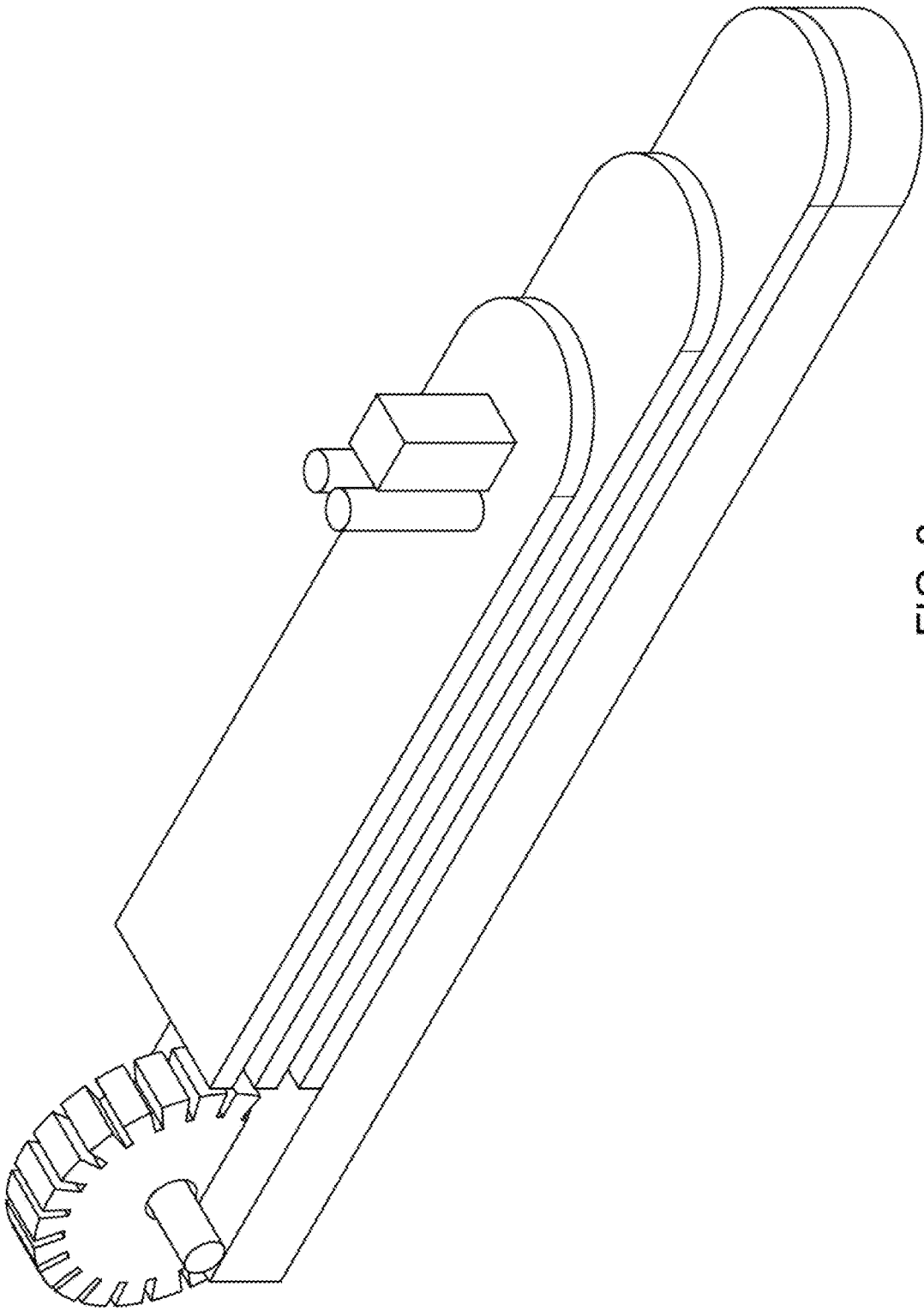


FIG. 2

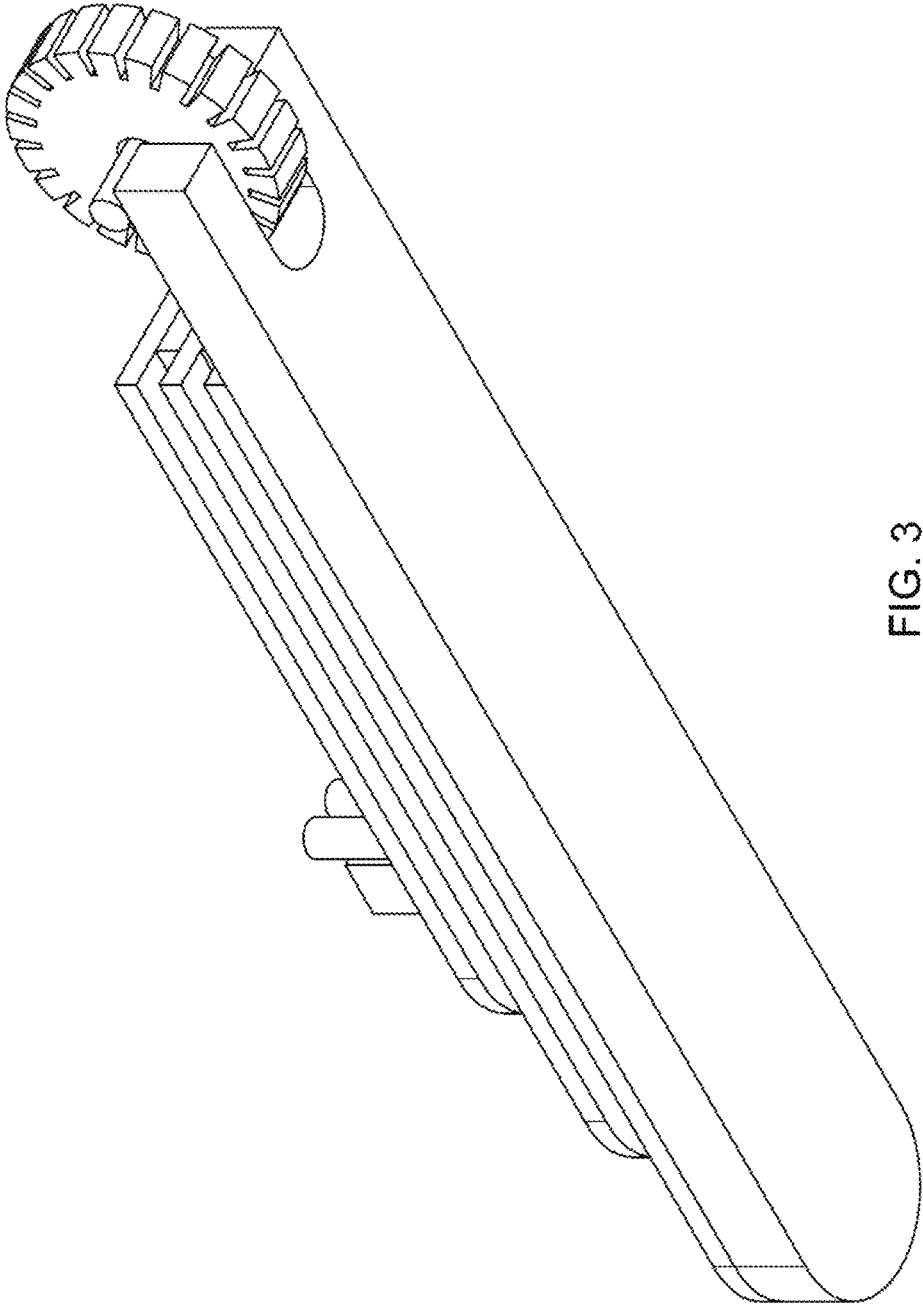


FIG. 3

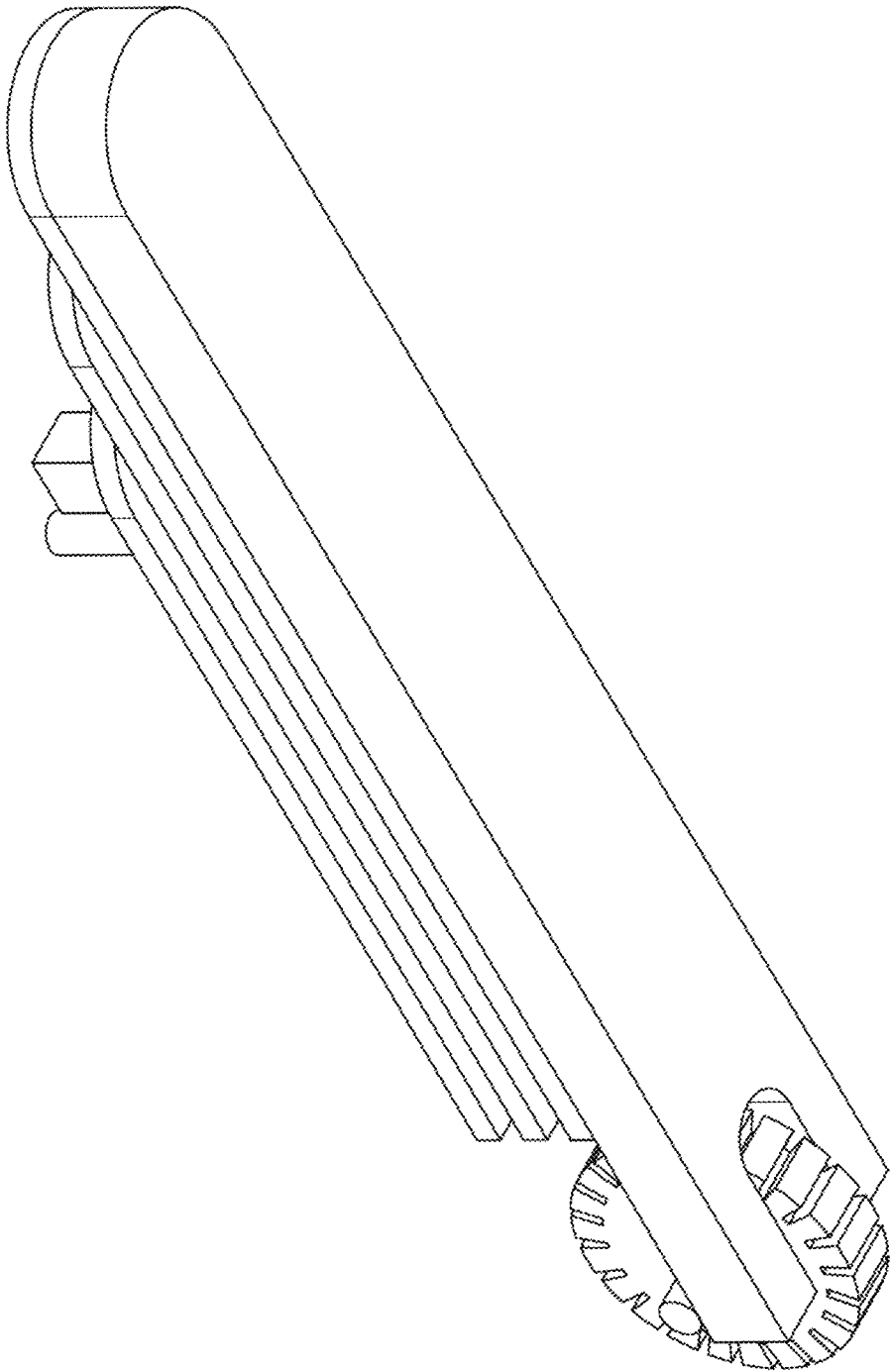


FIG. 4

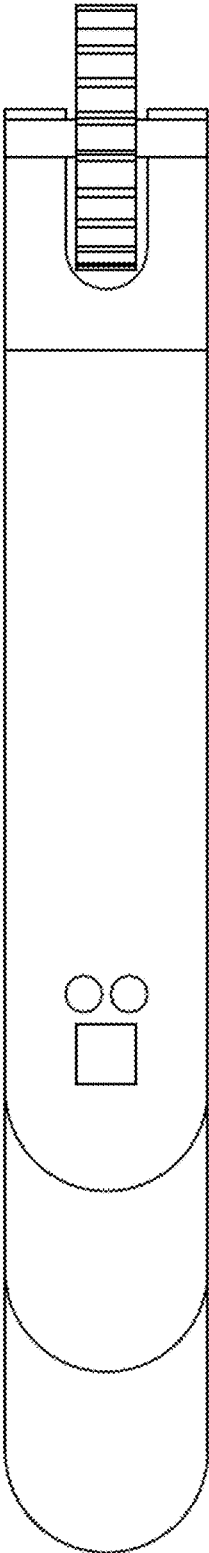


FIG. 5

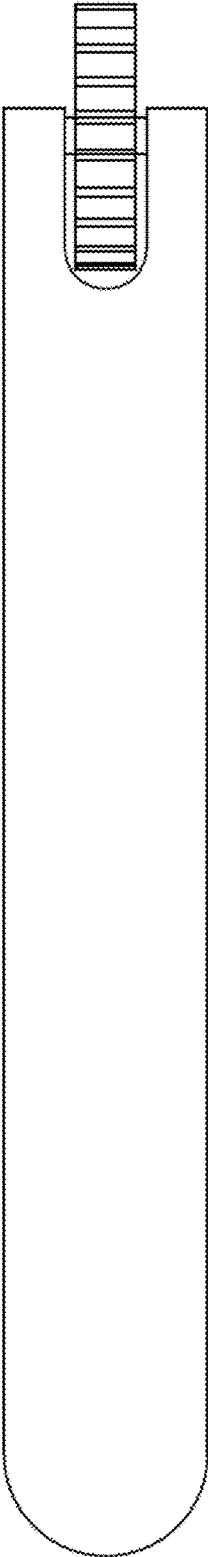


FIG. 6

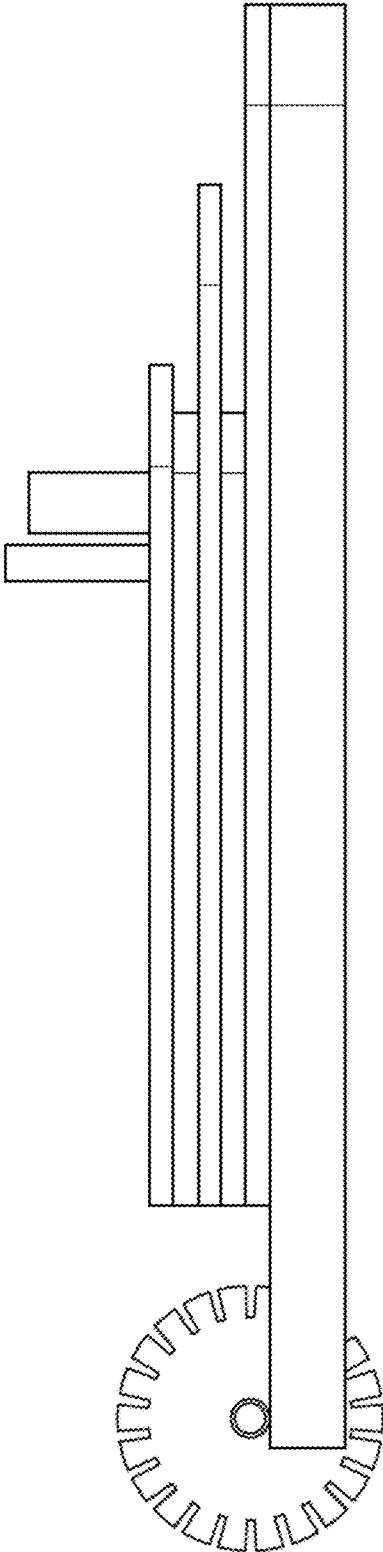


FIG. 7

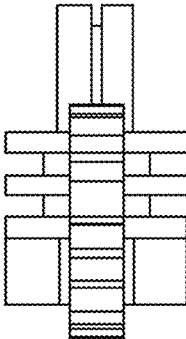


FIG. 8

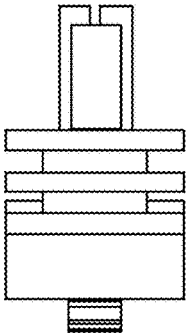


FIG. 9

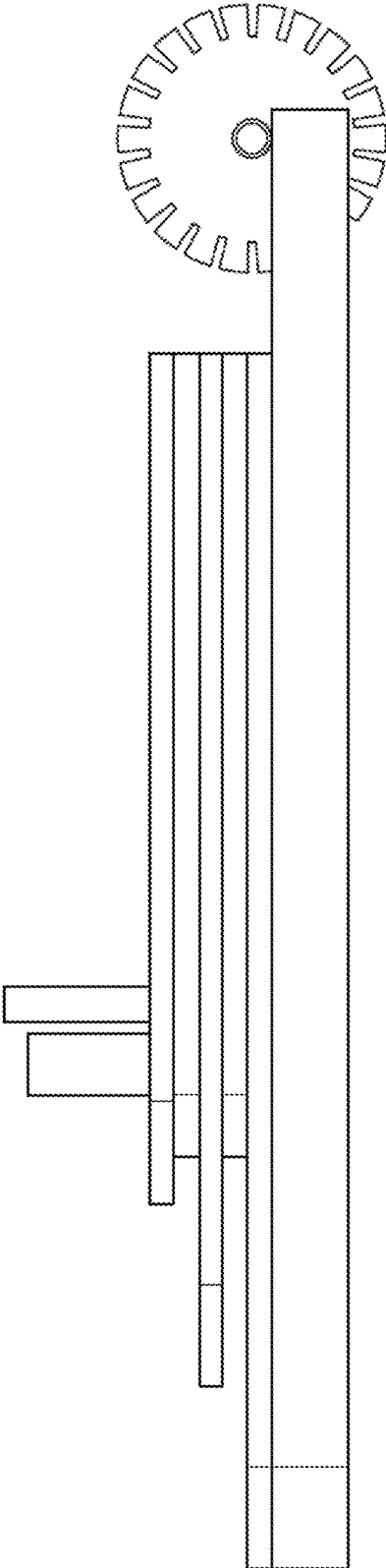


FIG. 10