



US00D926023S

(12) **United States Design Patent**  
**Wang**

(10) **Patent No.:** **US D926,023 S**

(45) **Date of Patent:** **\*\* Jul. 27, 2021**

- (54) **INTELLIGENT ELECTRIC WINDER**
- (71) Applicant: **INTRADIN (HUZHOU) PRECISION TECHNOLOGY CO., LTD.**, Zhejiang (CN)
- (72) Inventor: **Xiaocui Wang**, Zhejiang (CN)
- (73) Assignee: **INTRADIN (HUZHOU) PRECISION TECHNOLOGY CO., LTD.**, Huzhou (CN)
- (\*\*) Term: **15 Years**

D465,222	S *	11/2002	Wang	.....	D13/137.4
D468,189	S *	1/2003	Kovacik	.....	D8/358
D474,677	S *	5/2003	Brodie	.....	D8/358
7,021,583	B2 *	4/2006	Weatherill	.....	B65H 75/403 137/355.26
D559,085	S *	1/2008	Yu	.....	D8/358
D582,757	S *	12/2008	Anderson	.....	D8/359
D624,020	S *	9/2010	Kovacik	.....	D13/137.4
D678,285	S *	3/2013	Chen	.....	D14/433
8,695,912	B2 *	4/2014	Tracey	.....	B65H 75/4486 242/390.9
D761,090	S *	7/2016	Anderson	.....	D8/359
9,927,837	B2 *	3/2018	Fleisig	.....	G06F 13/4081
D863,941	S *	10/2019	Ge	.....	D8/358
2007/0194163	A1 *	8/2007	Okonsky	.....	B65H 75/4402 242/398

- (21) Appl. No.: **29/728,827**
- (22) Filed: **Mar. 20, 2020**
- (51) **LOC (13) Cl.** ..... **08-05**
- (52) **U.S. Cl.**  
USPC ..... **D8/358**; D15/199
- (58) **Field of Classification Search**  
USPC ..... D8/358, 359; D13/137.4; D15/199  
CPC ..... H02G 11/00; H02G 11/02  
See application file for complete search history.

\* cited by examiner

*Primary Examiner* — Patricia A Palasik

(57) **CLAIM**

The ornamental design for an intelligent electric winder, as shown and described.

**DESCRIPTION**

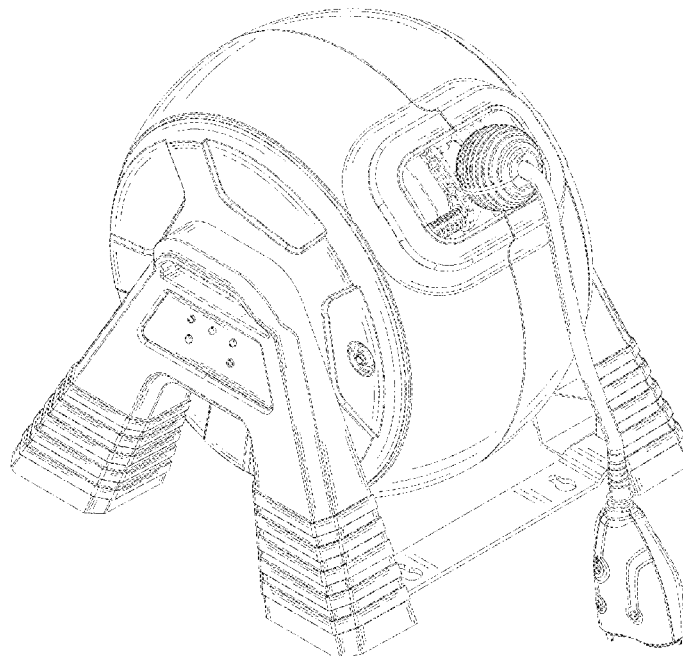
FIG. 1 is a perspective view of an intelligent electric winder showing my new design;  
 FIG. 2 is a front elevation view thereof;  
 FIG. 3 is a back elevation view thereof;  
 FIG. 4 is a left side view thereof;  
 FIG. 5 is a right side view thereof;  
 FIG. 6 is a top plan view thereof; and,  
 FIG. 7 is a bottom plan view thereof.  
 The broken lines in the drawings illustrate portions of the intelligent electric winder and form no part of the claimed design.

**1 Claim, 7 Drawing Sheets**

(56) **References Cited**

U.S. PATENT DOCUMENTS

4,133,416	A *	1/1979	Deurloo	.....	H02G 11/02 191/12.2 R
D274,884	S *	7/1984	Freitag	.....	D8/359
D275,002	S *	8/1984	Schwartz	.....	D13/137.4
D286,134	S *	10/1986	Schwartz	.....	D13/137.4
D298,214	S *	10/1988	Adachi	.....	D8/359
D315,624	S *	3/1991	Kimura	.....	D32/21
D365,012	S *	12/1995	Sather	.....	D8/359
D374,166	S *	10/1996	Czerwinski	.....	D8/359
D390,095	S *	2/1998	Spear	.....	D8/359
D457,059	S *	5/2002	Macrae	.....	D14/484



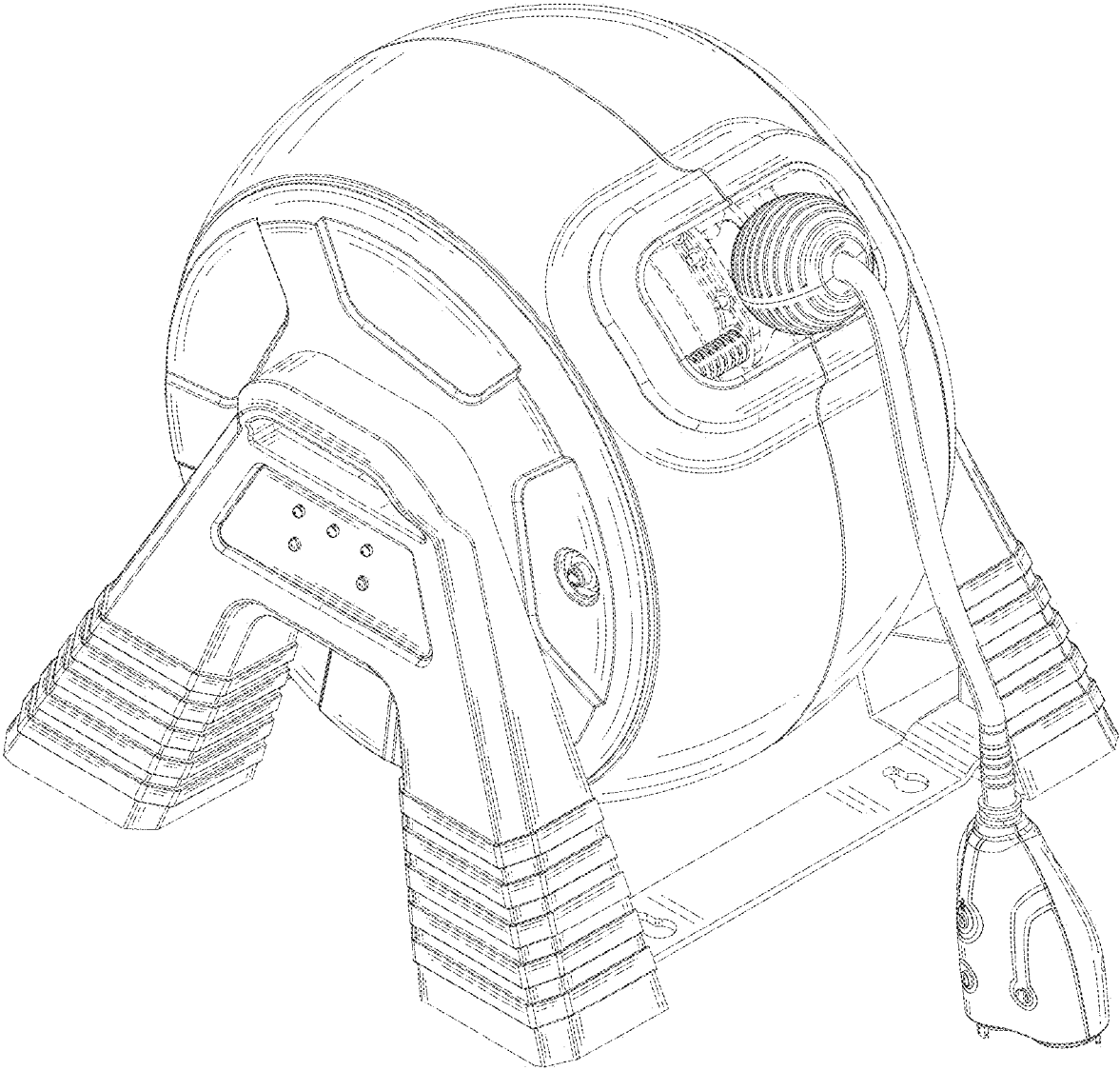


FIG. 1

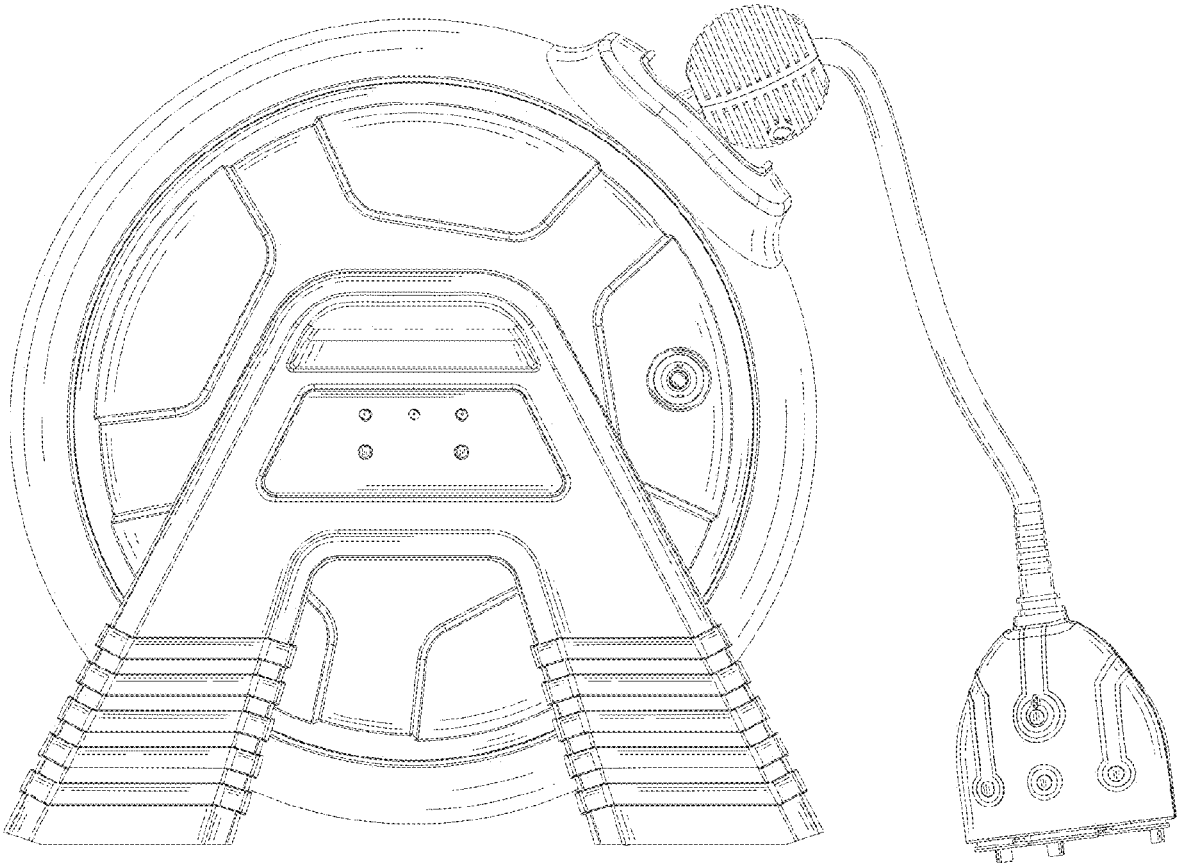


FIG. 2

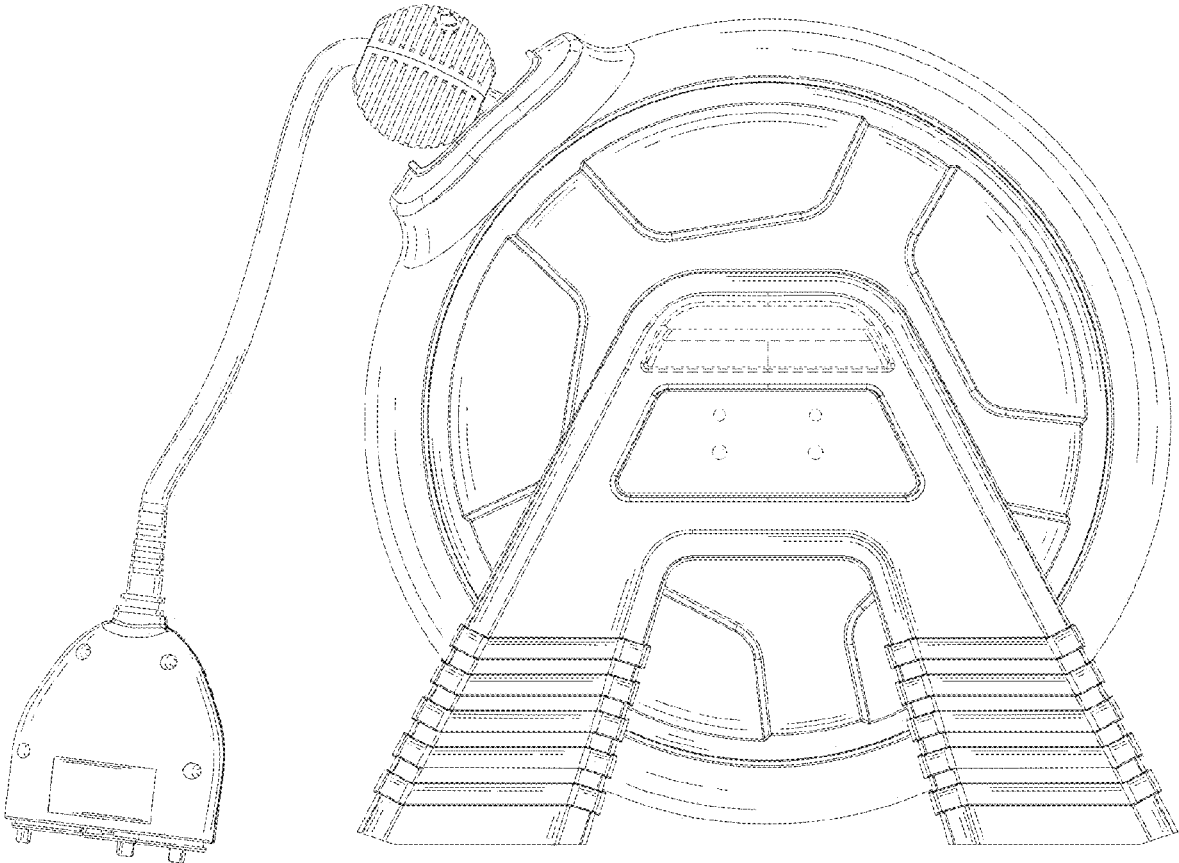


FIG. 3

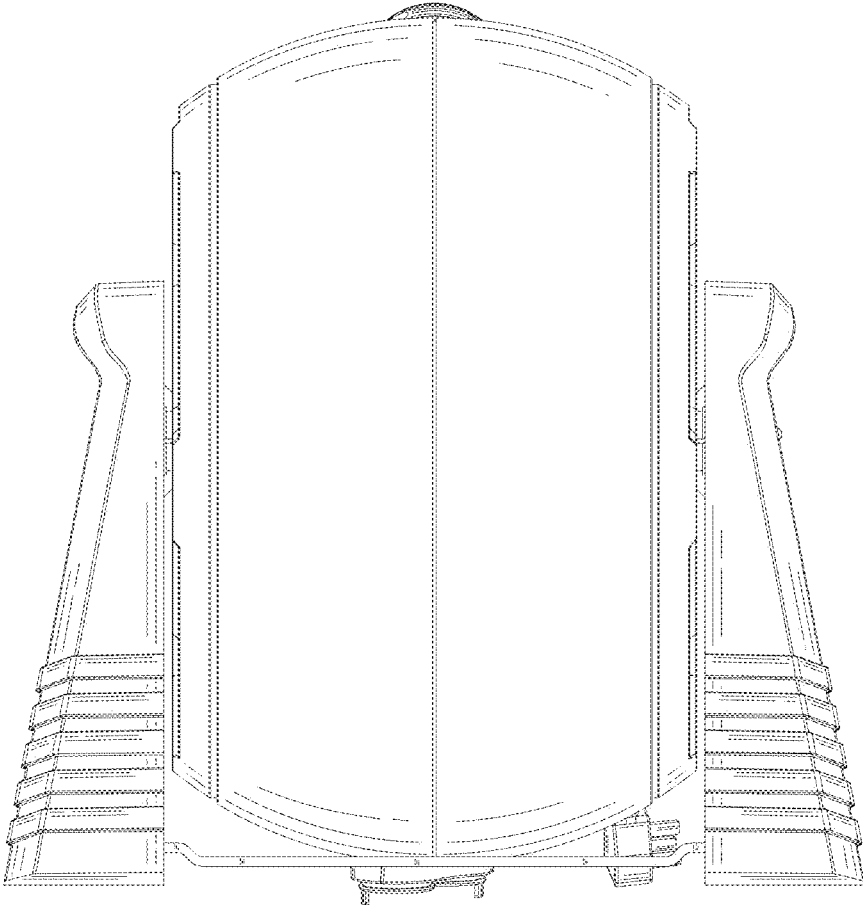


FIG. 4

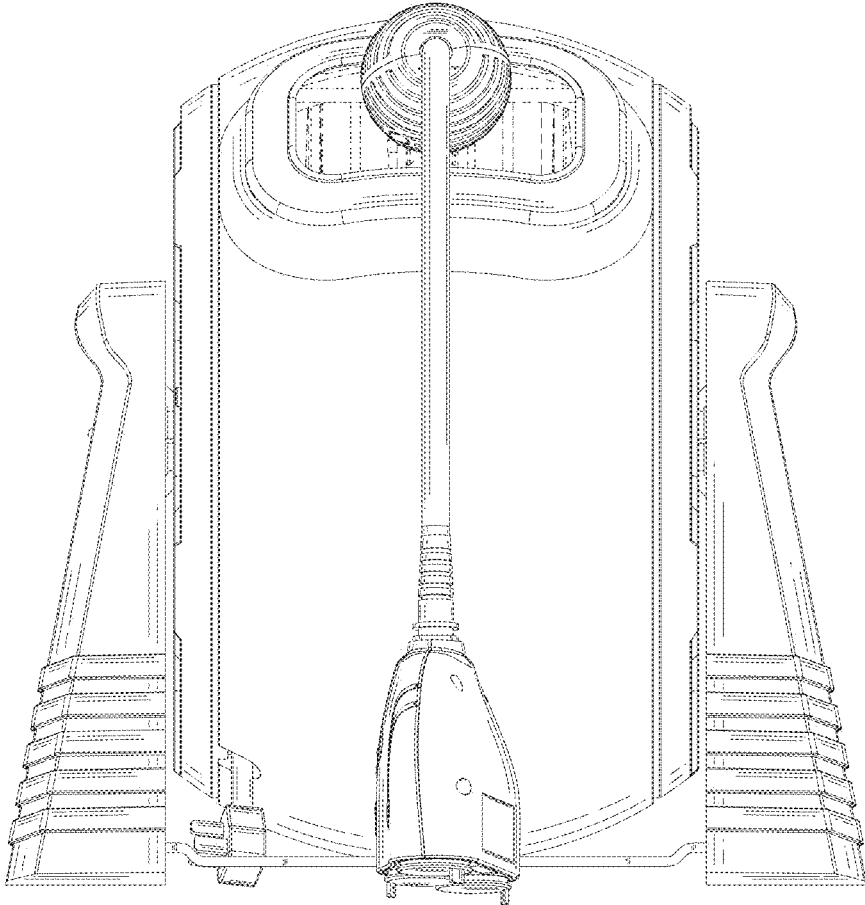


FIG. 5

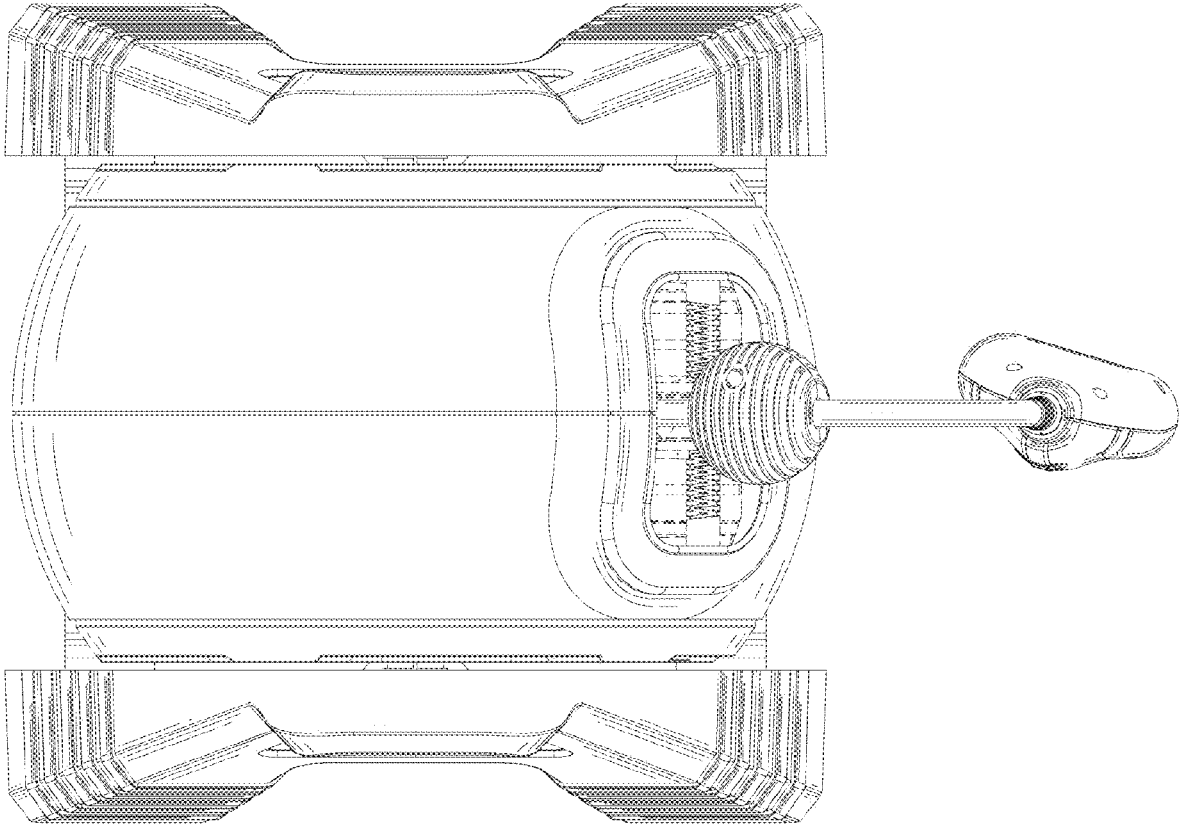


FIG. 6

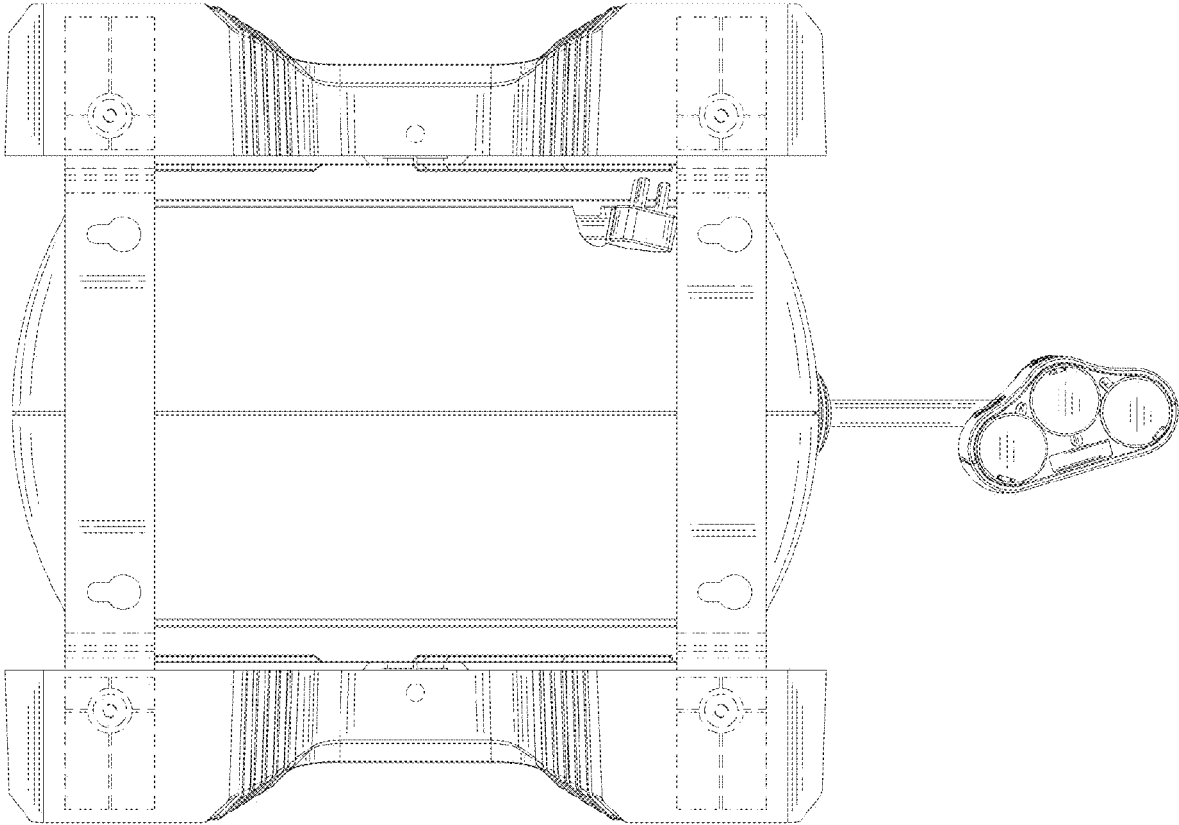


FIG. 7