



US00D774816S

(12) **United States Design Patent**  
**Sorel**

(10) **Patent No.:** **US D774,816 S**

(45) **Date of Patent:** **\*\* Dec. 27, 2016**

(54) **BENCH**

(71) Applicant: **LANDSCAPE FORMS, INC.**,  
Kalamazoo, MI (US)

(72) Inventor: **Jess Allen Sorel**, Oakland, CA (US)

(73) Assignee: **LANDSCAPE FORMS, INC.**,  
Kalamazoo, MI (US)

(\*\*) Term: **15 Years**

(21) Appl. No.: **29/531,911**

(22) Filed: **Jun. 30, 2015**

(51) **LOC (10) Cl.** ..... **06-01**

(52) **U.S. Cl.**  
USPC ..... **D6/717; D6/370**

(58) **Field of Classification Search**  
USPC ..... D6/334–336, 370, 371–373, 374, 379,  
D6/380, 381, 691.5, 691.8, 716, 716.1,  
D6/716.2, 716.4, 717  
CPC ..... A47C 11/00; A47C 11/02; A47C 4/02;  
A47C 4/03; A47C 4/021; A47C  
5/06; A47C 7/16; A47C 7/22  
See application file for complete search history.

(56) **References Cited**

**U.S. PATENT DOCUMENTS**

3,857,120 A \* 12/1974 Acker ..... A47C 4/02  
297/440.2  
4,140,065 A \* 2/1979 Chacon ..... A47C 4/021  
297/440.13

D360,538 S \* 7/1995 Skalka ..... D6/370  
D505,282 S \* 5/2005 Miyakawa ..... D6/691.8  
8,777,319 B2 \* 7/2014 Brandtner ..... A47C 4/02  
297/440.15  
D737,609 S \* 9/2015 Nishikawa ..... D6/691.5  
D766,642 S \* 9/2016 Sorel ..... D6/717

\* cited by examiner

*Primary Examiner* — Mimosa De

(74) *Attorney, Agent, or Firm* — Heslin Rothenberg  
Farley & Mesiti P.C.

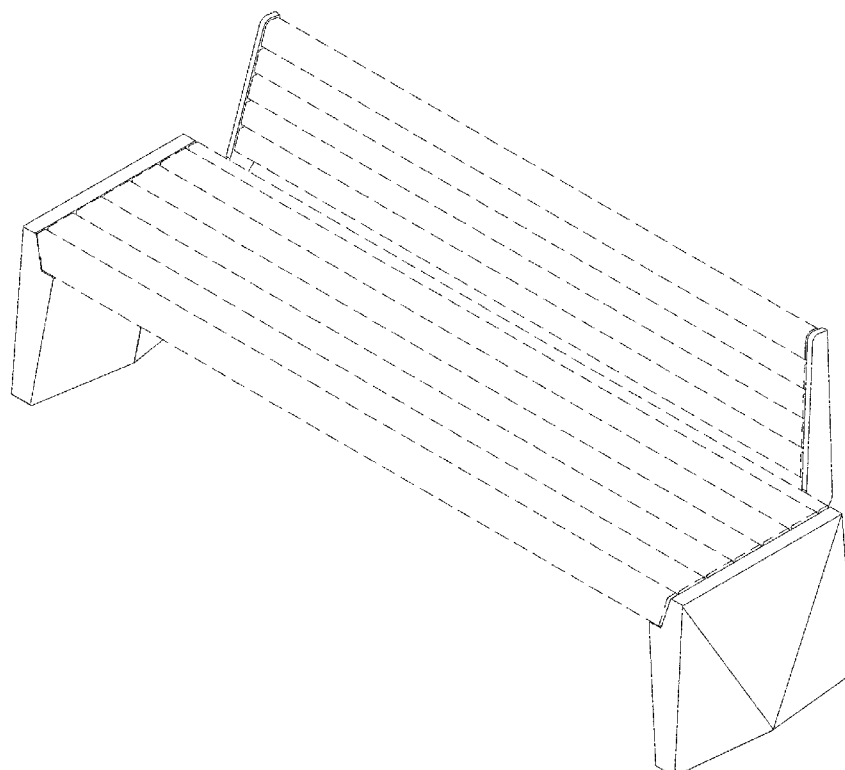
(57) **CLAIM**

The ornamental design for a bench, as shown and described.

**DESCRIPTION**

FIG. 1 is a perspective view of the bench of the present invention;  
FIG. 2 is a front elevation view thereof;  
FIG. 3 is a right side elevation view thereof, the left side elevation view being a mirror image thereof;  
FIG. 4 is a top plan view thereof; and,  
FIG. 5 is a rear elevation view thereof.  
The broken lines in the figures are for purposes of illustrating environmental structure only and form no part of the claimed invention.

**1 Claim, 5 Drawing Sheets**



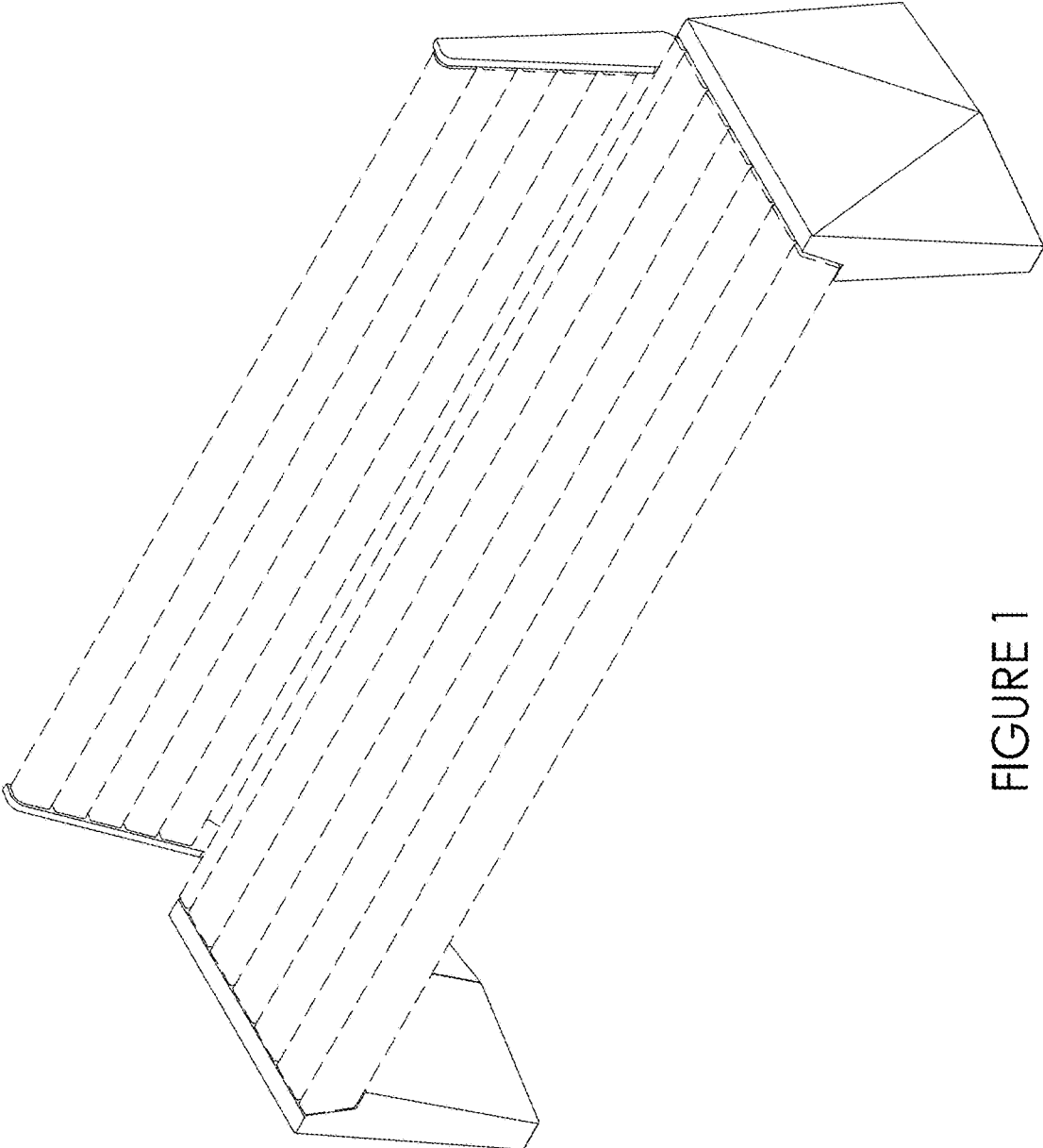


FIGURE 1

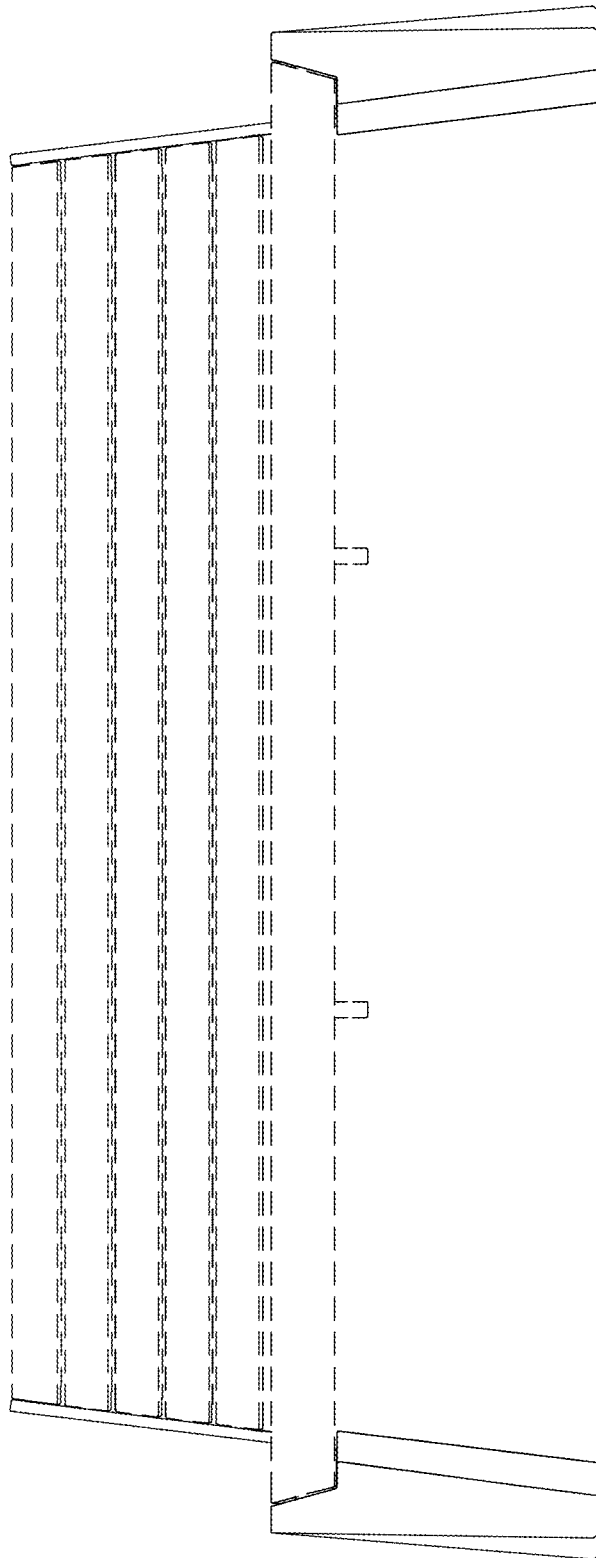


FIGURE 2

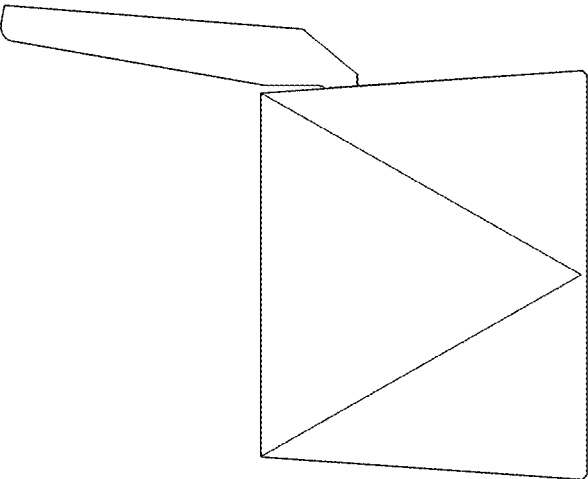


FIGURE 3

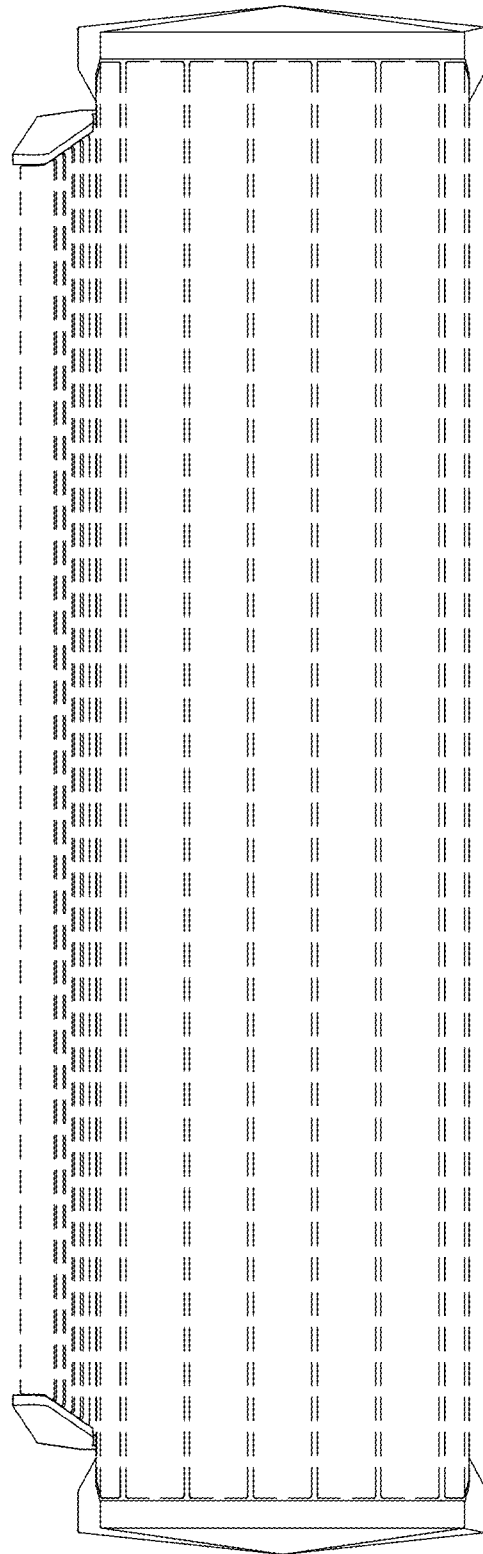


FIGURE 4

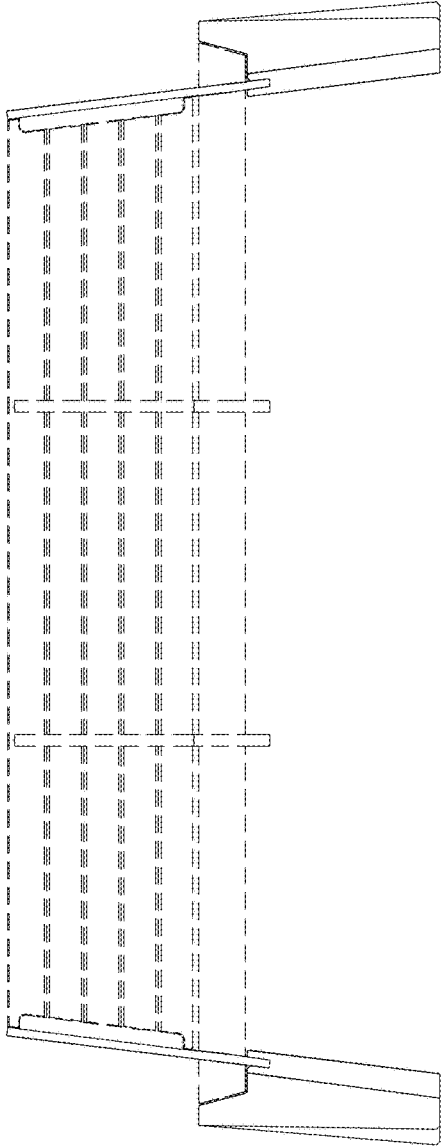


FIGURE 5