



US00D952402S

(12) **United States Design Patent**
Wang

(10) **Patent No.:** **US D952,402 S**

(45) **Date of Patent:** **** May 24, 2022**

(54) **OVEN**

(71) Applicant: **ILLINOIS TOOL WORKS INC.,**
Glenview, IL (US)

(72) Inventor: **Fuli Wang, Guangdong (CN)**

(73) Assignee: **ILLINOIS TOOL WORKS INC.,**
Glenview, IL (US)

(**) Term: **15 Years**

(21) Appl. No.: **29/739,179**

(22) Filed: **Jun. 23, 2020**

(30) **Foreign Application Priority Data**

Dec. 27, 2019 (CN) 201930734009.9

(51) **LOC (13) CL.** **07-02**

(52) **U.S. CL.**
USPC **D7/405**

(58) **Field of Classification Search**

USPC D7/402-409, 323, 328-332, 339-340,
D7/346-351, 390, 397
CPC F24C 7/00; F24C 7/02; F24C 7/04; F24C
7/06; F24C 7/062; F24C 7/067; F24C
15/00; F24C 15/004; F24C 15/02; A47J
37/00

See application file for complete search history.

(56) **References Cited**

U.S. PATENT DOCUMENTS

D424,862 S	5/2000	Holbrook	
D468,962 S	1/2003	Jones	
D524,095 S	7/2006	Pino	
D525,476 S	7/2006	Bengtson	
D527,948 S	9/2006	Bengtson	
D560,958 S	2/2008	Shin	
D560,960 S *	2/2008	Hillmann	D7/350.1
D567,571 S *	4/2008	Hillmann	D7/347

D568,089 S *	5/2008	Hillmann	D7/347
D568,681 S *	5/2008	Hillmann	D7/397
D612,209 S	3/2010	Crookshanks	
D612,682 S	3/2010	Baker	
D657,184 S *	4/2012	Segato	D7/348
D657,185 S *	4/2012	Segato	D7/348
D657,989 S *	4/2012	Segato	D7/348
D671,790 S	12/2012	Busalt	
D702,482 S *	4/2014	Davis	D7/350.1
D709,726 S	7/2014	Borjesson	
D710,646 S	8/2014	Borjesson	
D724,889 S	3/2015	Borjesson	
D741,104 S	10/2015	Funnell, II	
D754,476 S	4/2016	Crookshanks	

(Continued)

Primary Examiner — Sheryl Lane

Assistant Examiner — Nicole C Shiflet

(74) *Attorney, Agent, or Firm* — Thompson Hine LLP

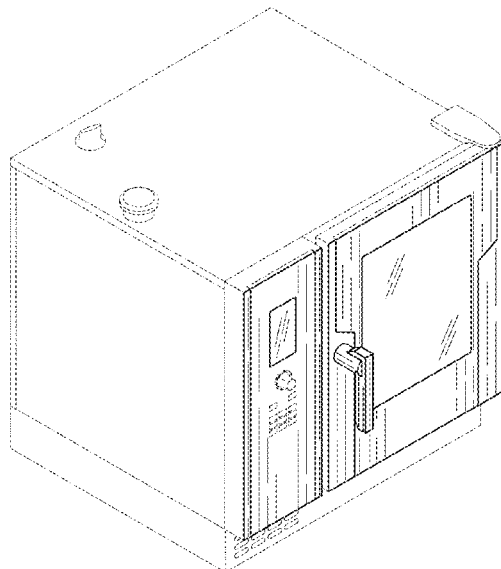
(57) **CLAIM**

The ornamental design for an oven, as shown and described.

DESCRIPTION

FIG. 1 is a perspective view of an oven according to a first embodiment;
 FIG. 2 is top view thereof;
 FIG. 3 is a front view thereof;
 FIG. 4 is right side view thereof;
 FIG. 5 is a left side view thereof;
 FIG. 6 is a bottom thereof;
 FIG. 7 is a perspective view of an oven according to a second embodiment;
 FIG. 8 is top view thereof;
 FIG. 9 is a front view thereof;
 FIG. 10 is a right side view thereof;
 FIG. 11 is a left side view thereof; and,
 FIG. 12 is a bottom view thereof.
 The broken lines represent environmental structure and form no part of the claimed design.

1 Claim, 8 Drawing Sheets



(56)

References Cited

U.S. PATENT DOCUMENTS

D757,480	S	*	5/2016	Schwamkrug	D7/339
D757,481	S	*	5/2016	Schwamkrug	D7/339
D757,482	S	*	5/2016	Schwamkrug	D7/339
D758,782	S	*	6/2016	Schwamkrug	D7/339
D764,852	S	*	8/2016	Schwamkrug	D7/339
D773,230	S	*	12/2016	Franzolin	D7/339
D773,231	S	*	12/2016	Franzolin	D7/339
D814,231	S		4/2018	Kim	
D817,067	S		5/2018	Shoemaker	
D817,705	S		5/2018	Kim	
D821,799	S		7/2018	Kim	
D821,813	S		7/2018	Kim	
D829,484	S		10/2018	Kim	
D838,133	S		1/2019	Fuller	
D840,184	S		2/2019	Kim	
D840,185	S		2/2019	Kim	
D880,218	S		4/2020	Kim	
D899,175	S	*	10/2020	Manicardi	D7/339
D903,395	S	*	12/2020	Segato	D7/339
D932,230	S	*	10/2021	Wang	D7/348
2010/0140247	A1		6/2010	Watkins	
2012/0031389	A1		2/2012	McMaster	

* cited by examiner

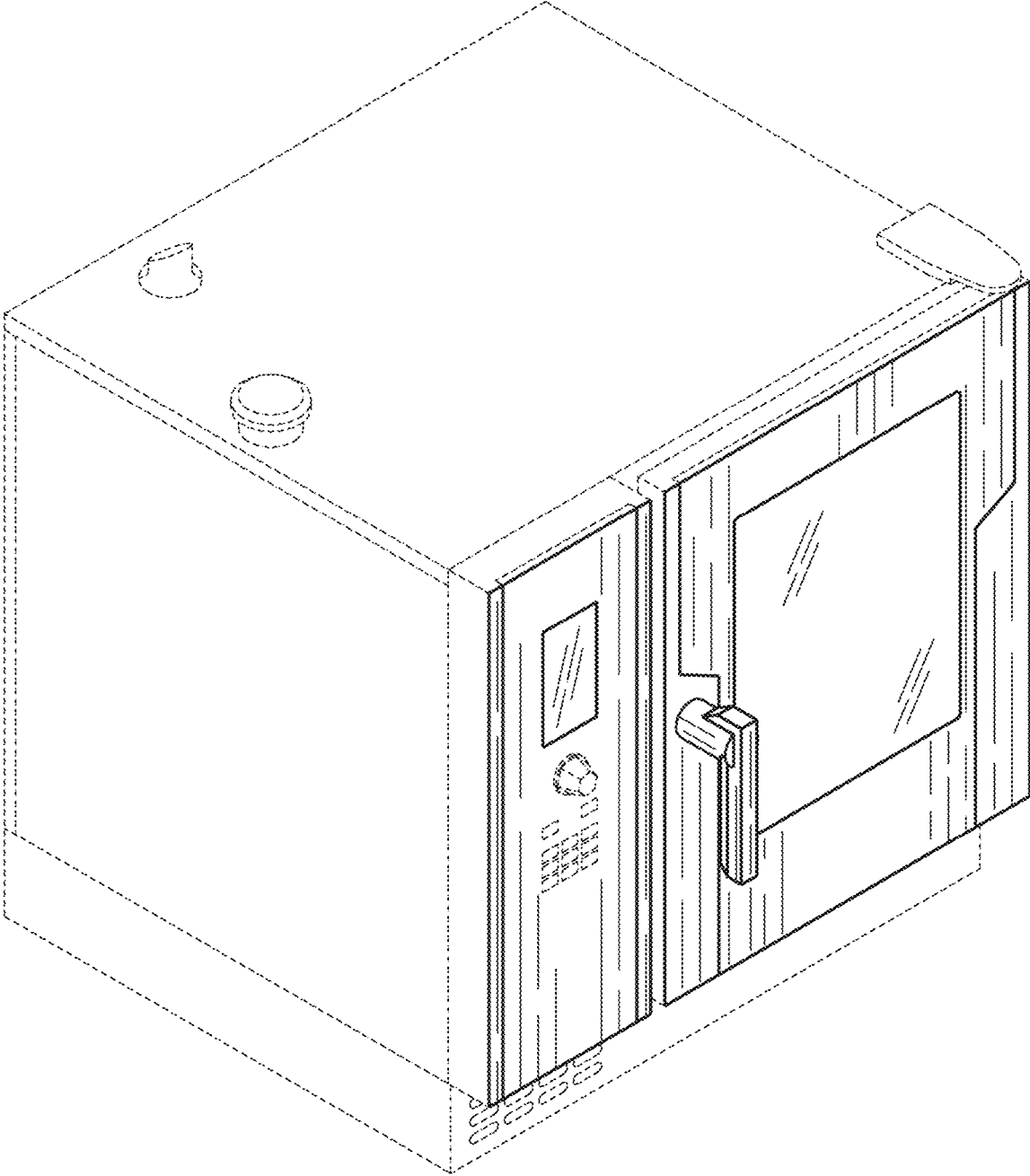


Fig. 1

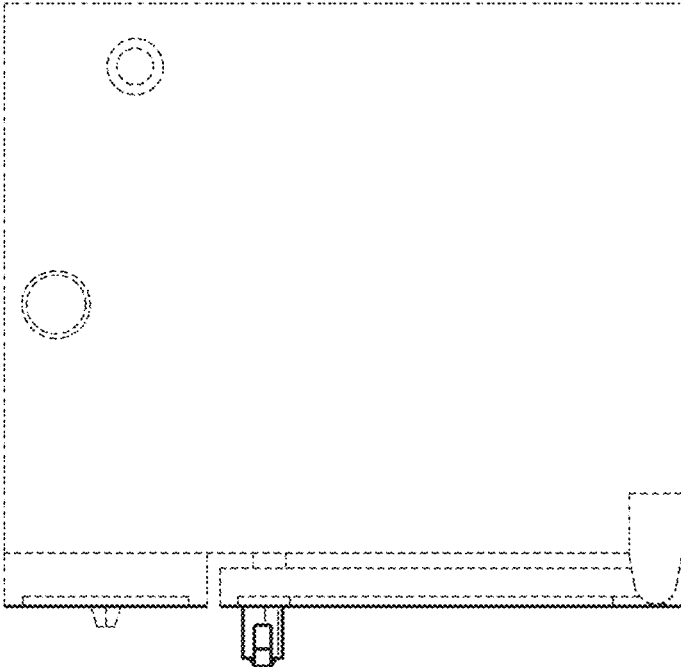


Fig. 2

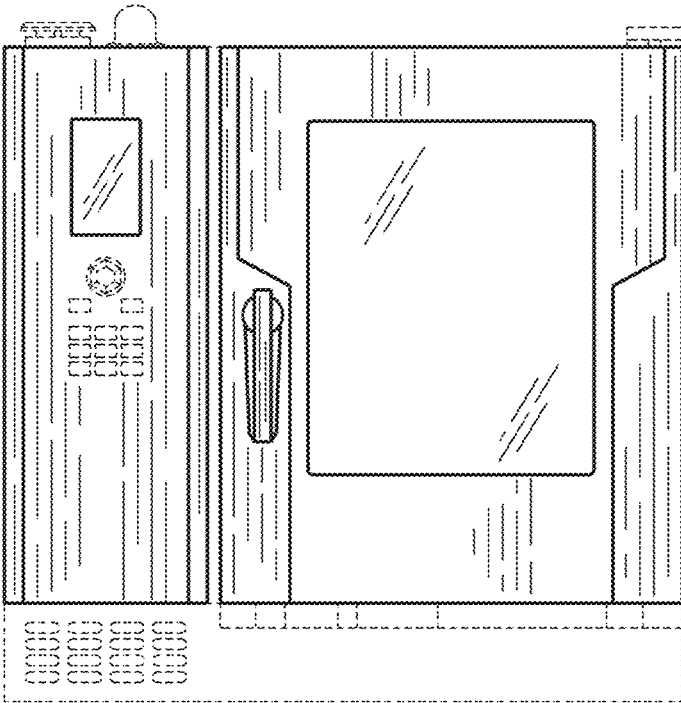


Fig. 3

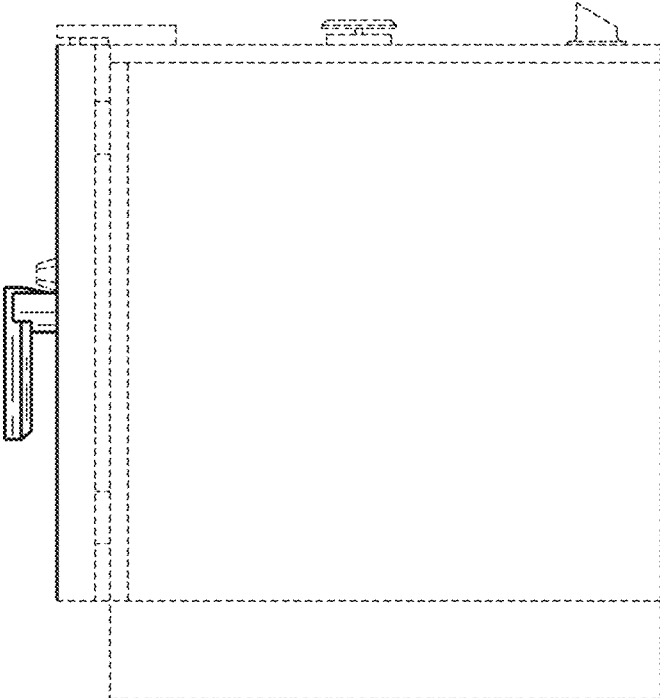


Fig. 4

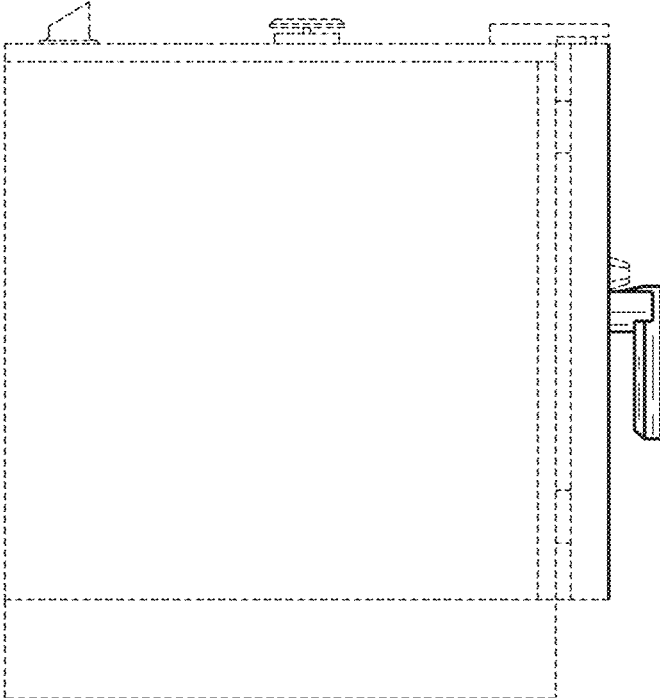


Fig. 5

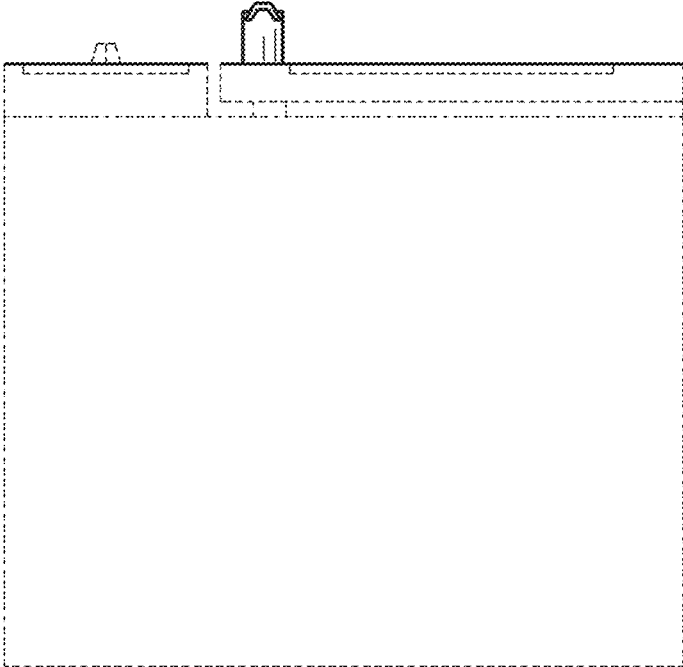


Fig. 6

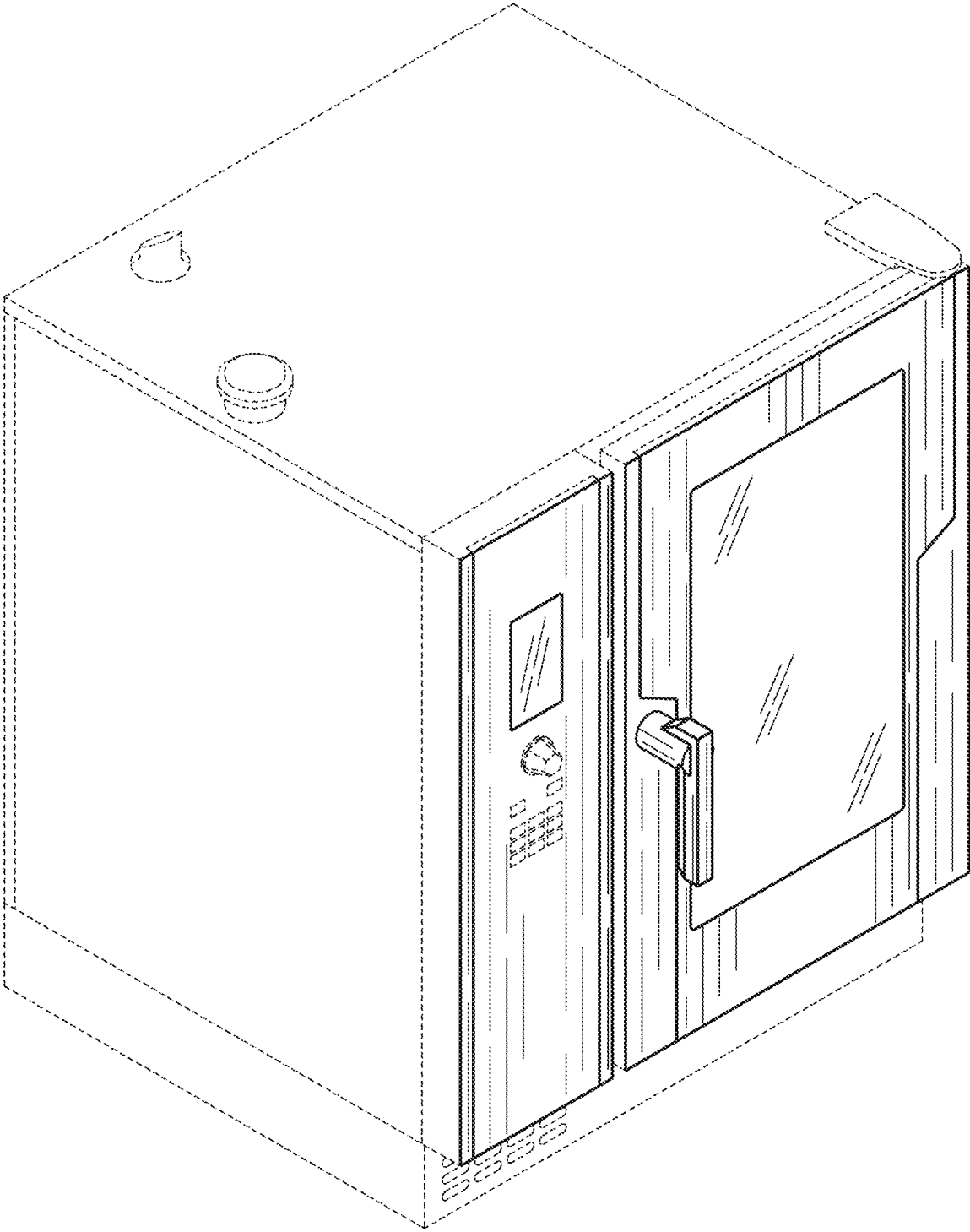


Fig. 7

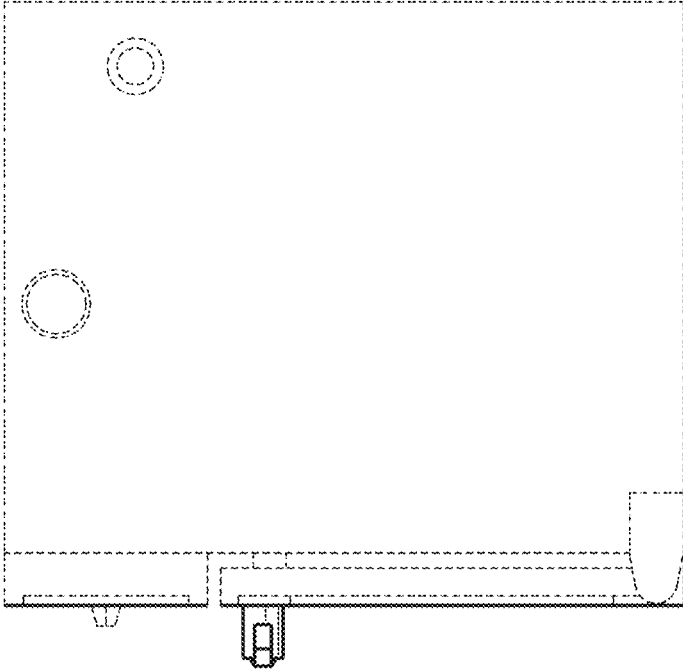


Fig. 8

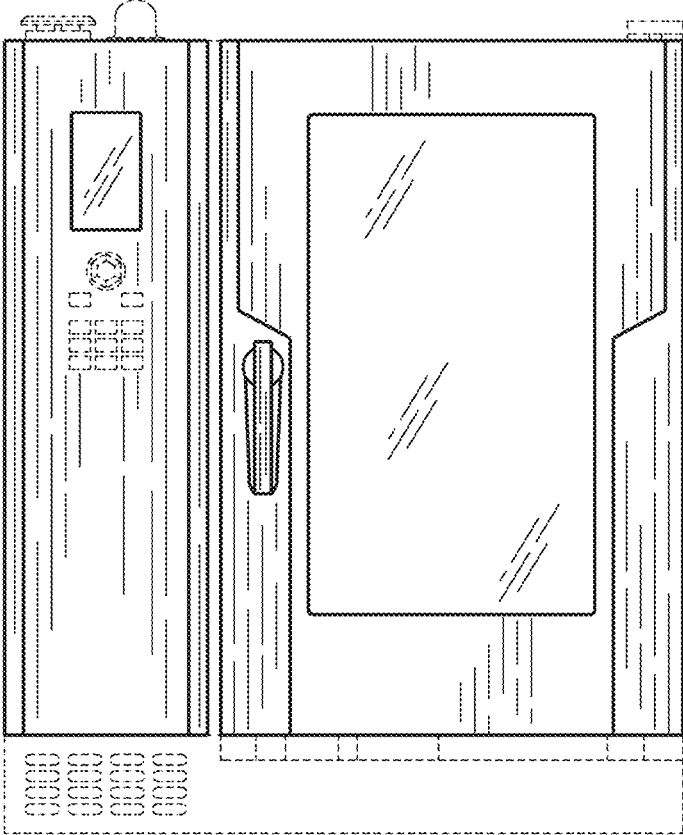


Fig. 9

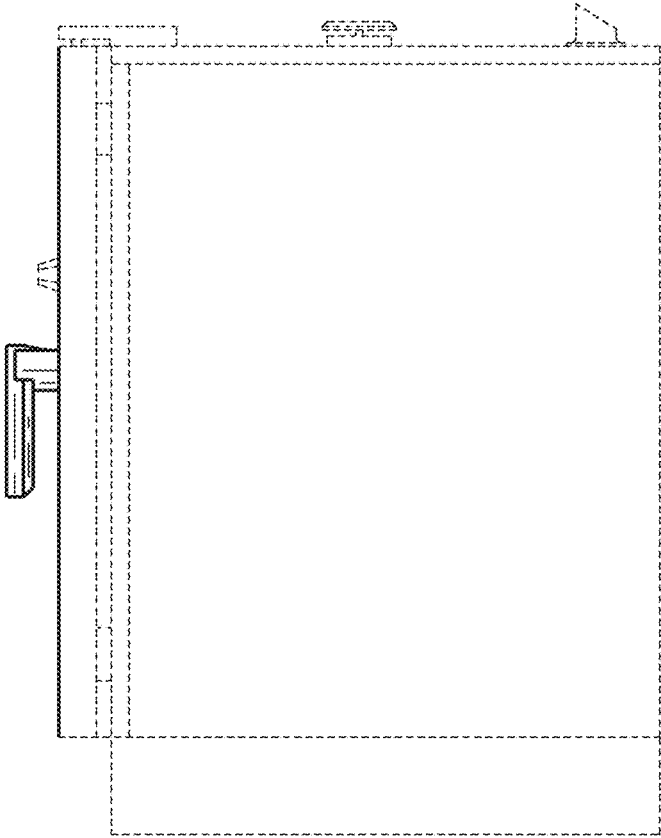


Fig. 10

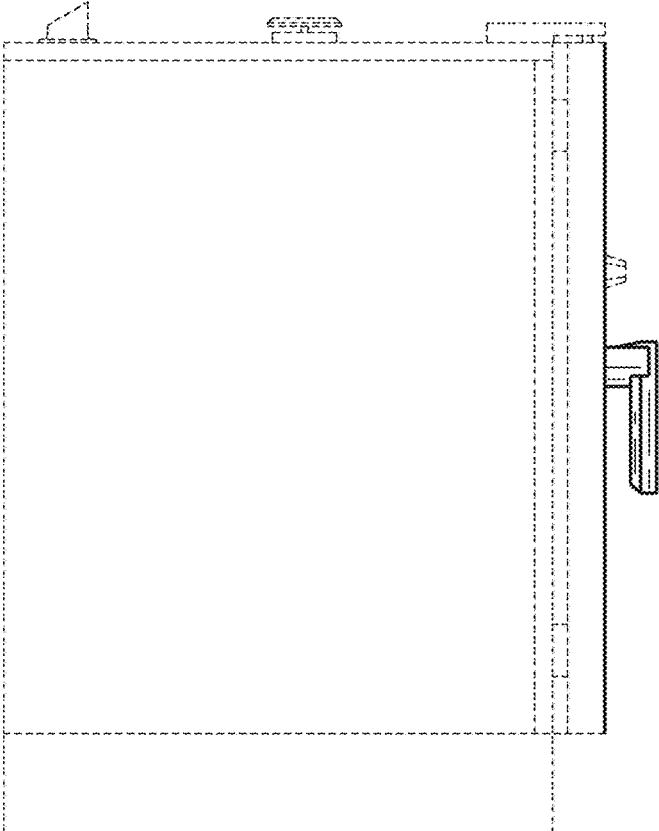


Fig. 11

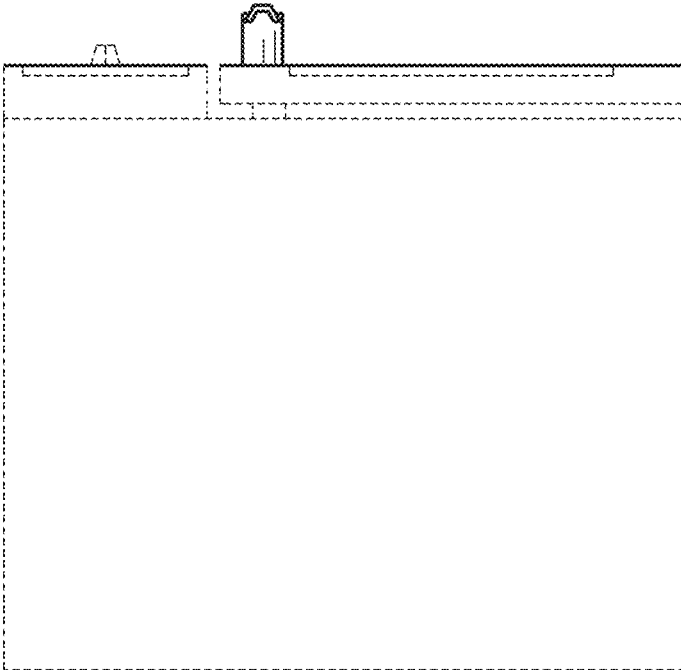


Fig. 12