



US00D478549S

(12) **United States Design Patent** (10) **Patent No.:** **US D478,549 S**  
**Porzelt** (45) **Date of Patent:** **\*\* Aug. 19, 2003**

(54) **CONNECTOR FOR MEDICAL APPARATUS**

(75) Inventor: **Joachim Porzelt, Eibelstadt (DE)**

(73) Assignee: **Erich Jaeger GmbH (DE)**

(\*\*) Term: **14 Years**

(21) Appl. No.: **29/152,076**

(22) Filed: **Oct. 30, 2001**

(30) **Foreign Application Priority Data**

May 4, 2001 (DE) ..... 4 01 04 358

(51) **LOC (7) Cl.** ..... **13-03**

(52) **U.S. Cl.** ..... **D13/146**

(58) **Field of Search** ..... D13/133, 146;  
439/577; 385/58, 59, 70, 71

(56) **References Cited**

**U.S. PATENT DOCUMENTS**

D311,377 S	*	10/1990	Oka et al.	.....	D13/147
5,662,500 A	*	9/1997	Yeah	.....	439/732
D422,558 S	*	4/2000	Reiss	.....	D13/133
D434,377 S	*	11/2000	Bussett et al.	.....	D13/133
6,305,849 B1	*	10/2001	Roehrs et al.	.....	385/59

\* cited by examiner

*Primary Examiner*—Joel Sincavage

(74) *Attorney, Agent, or Firm*—Cook, Alex, McFarron, Manzo, Cummings & Mehler, Ltd.

(57) **CLAIM**

The ornamental design for a connector for medical apparatus, as shown and described.

**DESCRIPTION**

FIG. 1 is a front perspective view of the plug of my invention with the environmental structure shown in dashed lines;

FIG. 2 is a perspective view of the rear side of the plug as shown in FIG. 1 with the environmental structure shown in dashed lines;

FIG. 3 is a front view of the plug of my invention with the environmental structure shown in dashed lines;

FIG. 4 is a rear view of the plug of my invention with the environmental structure shown in dashed lines;

FIG. 5 is a left side elevational view of the plug of my invention with the environmental structure shown in dashed lines;

FIG. 6 is a right side elevational view of the plug of my invention with the environmental structure shown in dashed lines;

FIG. 7 is a socket end elevational view of the plug of my invention with the environmental structure shown in dashed lines;

FIG. 8 is a wire end elevational view of the plug of my invention with the environmental structure shown in dashed lines;

FIG. 9 is a partial perspective view of a plug socket of my invention with the environmental structure shown in dashed lines;

FIG. 10 is a perspective view of a plug socket of my invention taken from the opposite longitudinal direction with the environmental structure shown in dashed lines;

FIG. 11 is a partial top plan view of a plug socket of my invention showing the location of the socket in a socket board with the environmental structure shown in dashed lines;

FIG. 12 is a bottom plan view of a plug socket of my invention showing the location of the socket in a socket board with the environmental structure shown in dashed lines;

FIG. 13 is a partial cross sectional view taken along line 13—13 of FIG. 12 through the socket of my invention shown in a socket board with the environmental structure shown in dashed lines;

FIG. 14 is a partial longitudinal cross sectional view taken along line 14—14 of FIG. 11 through the socket of my invention shown in a socket board with the environmental structure shown in dashed lines;

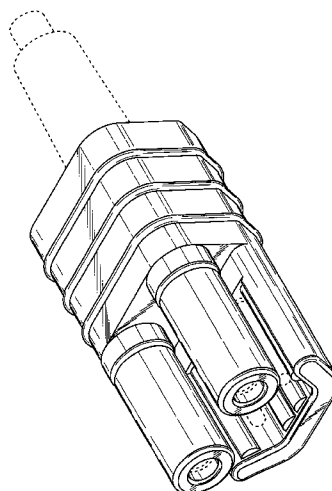
FIG. 15 is a transverse cross sectional view of a portion of the socket of my invention taken along line 15—15 of FIG. 11; and,

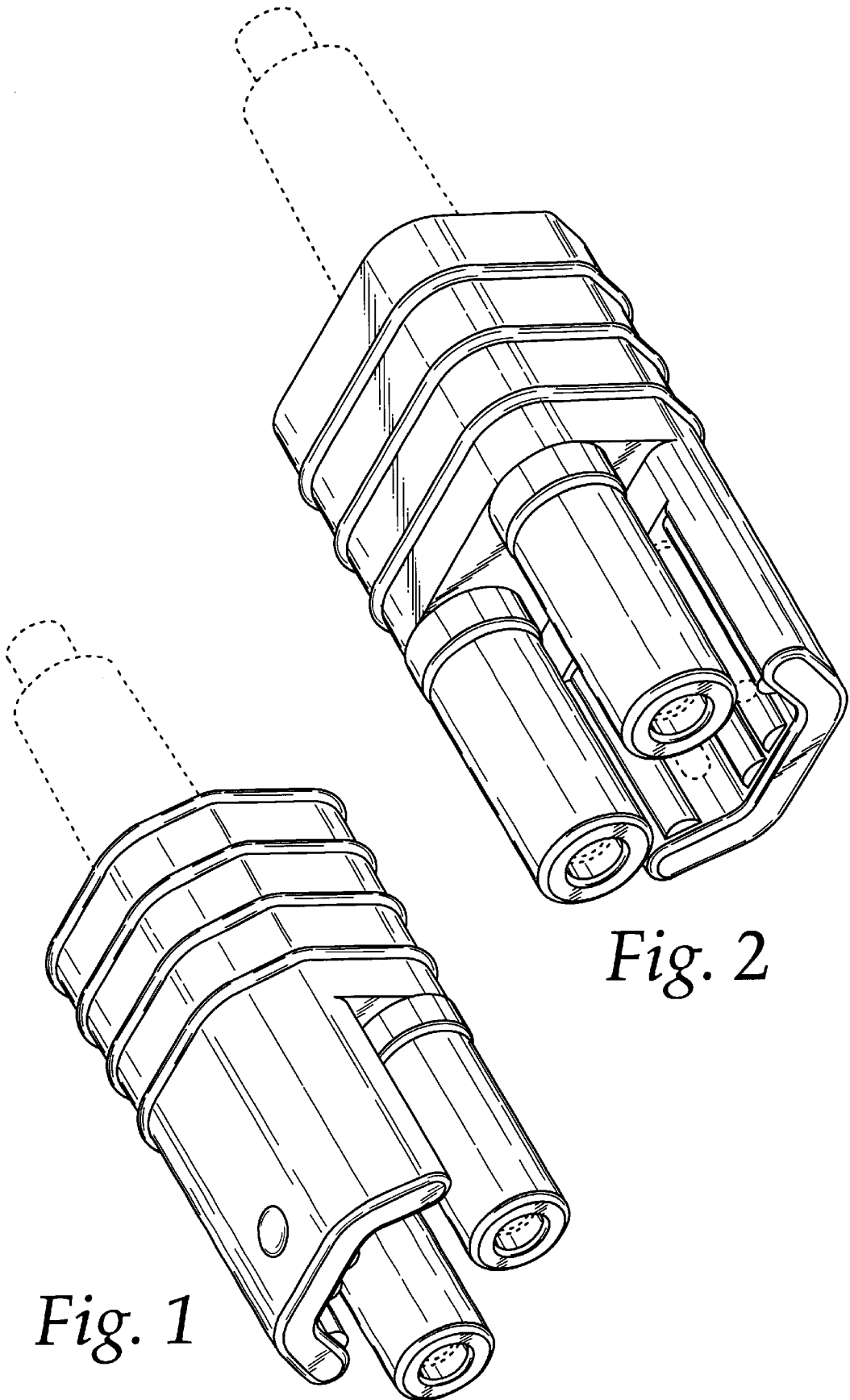
FIG. 16 is a transverse cross sectional view taken through another portion of the socket of my invention along line 16—16 of FIG. 12.

Although the plug and socket are shown separately, the claimed design is embodied in the collective appearance of the plug and socket.

The environmental structure shown dashed lines forms no part of the claimed design.

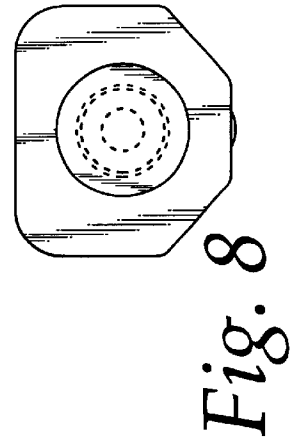
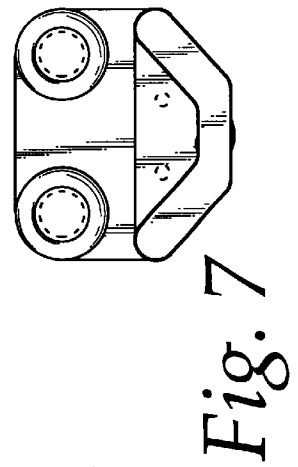
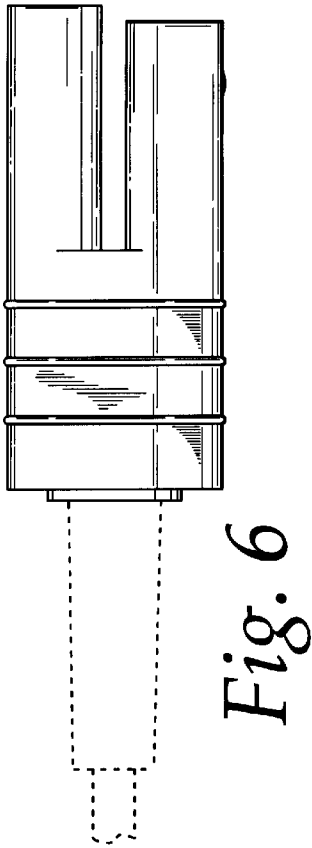
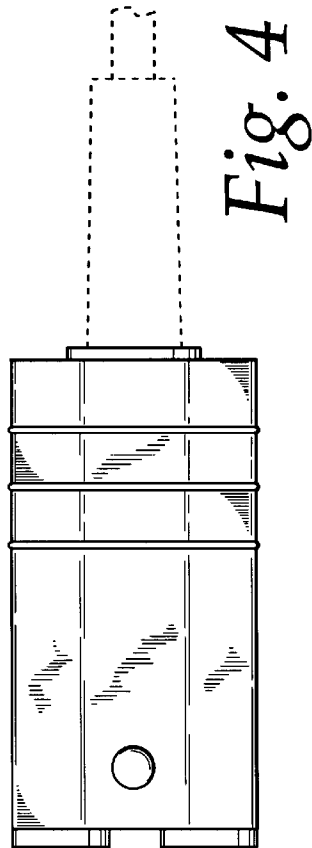
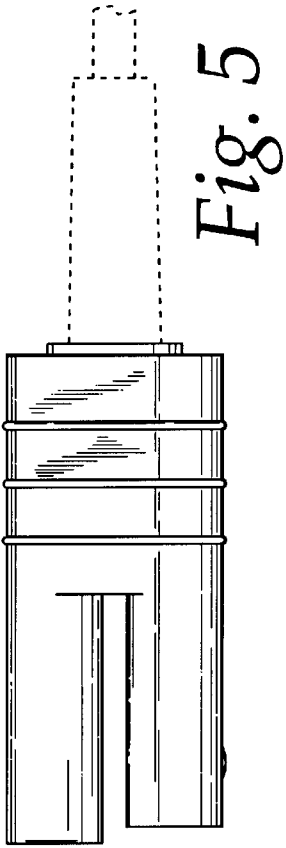
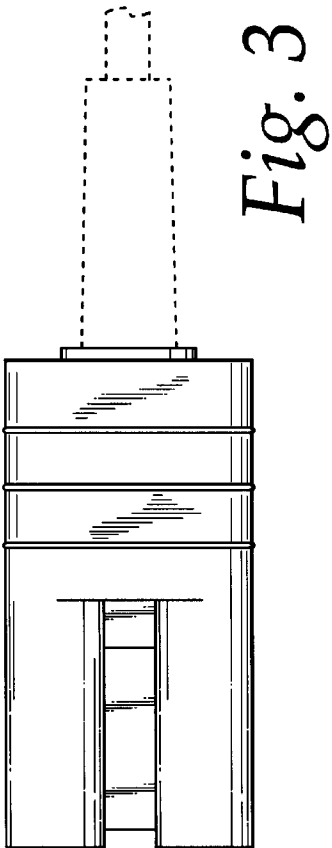
**1 Claim, 5 Drawing Sheets**

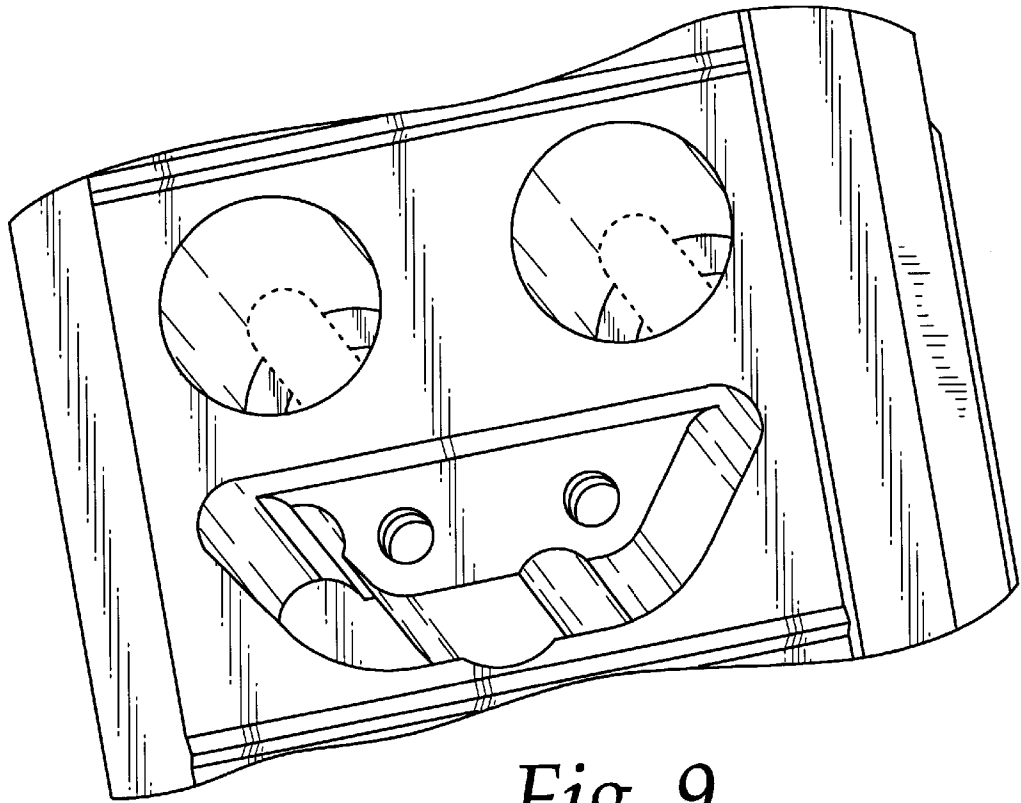




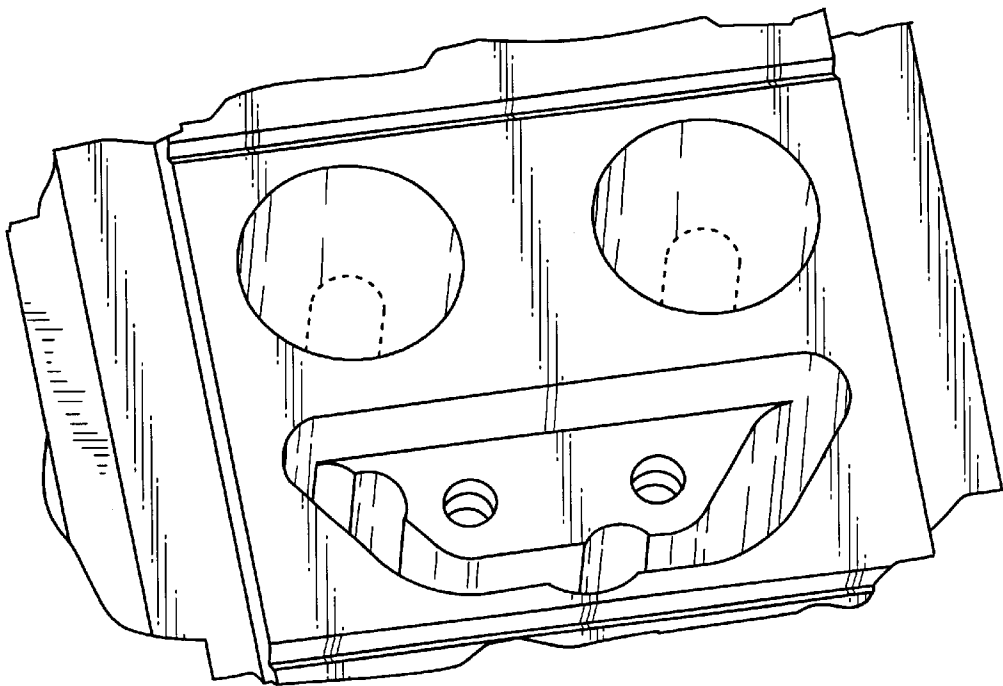
*Fig. 1*

*Fig. 2*





*Fig. 9*



*Fig. 10*

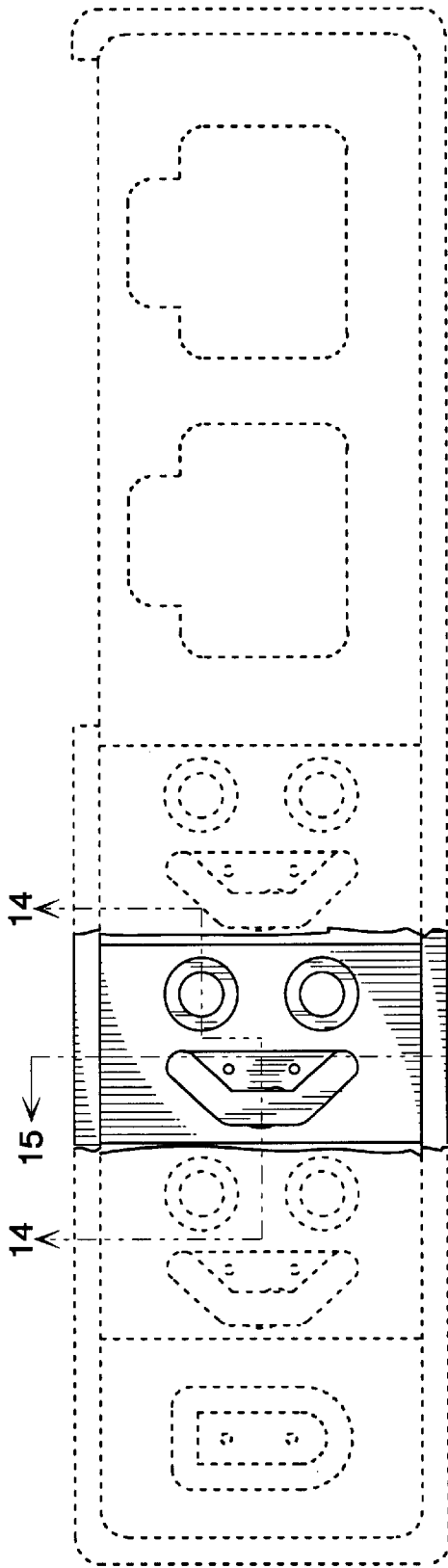


Fig. 11

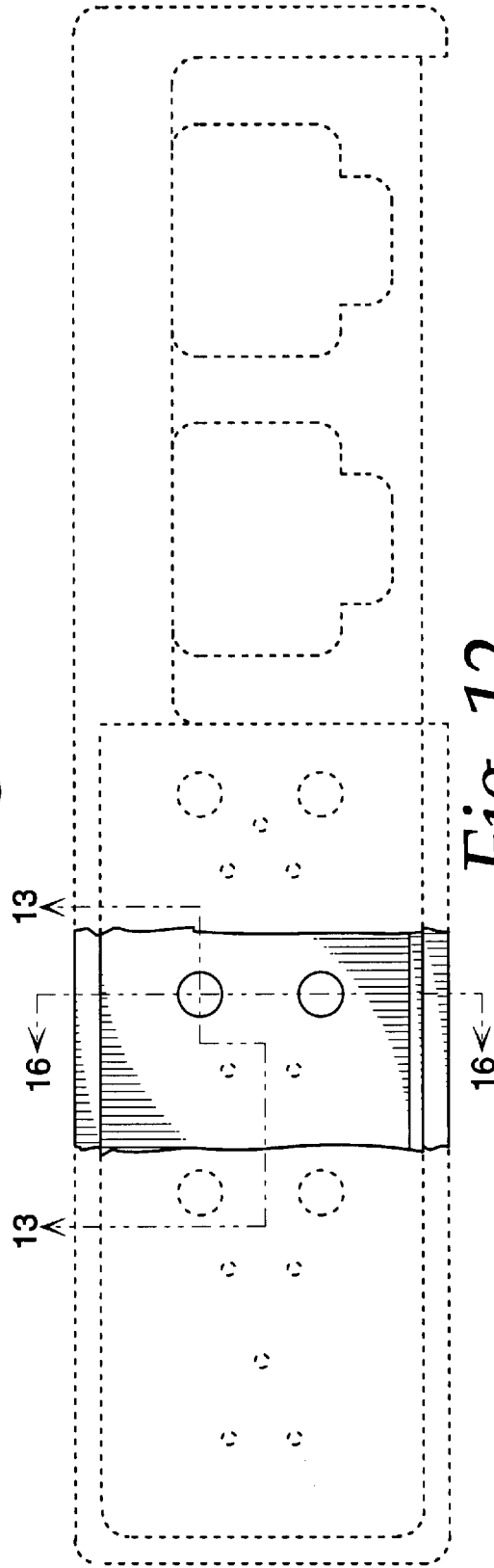


Fig. 12

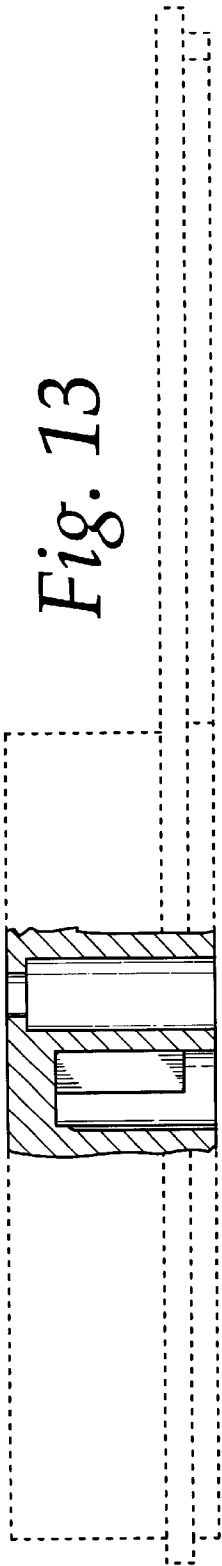


Fig. 13

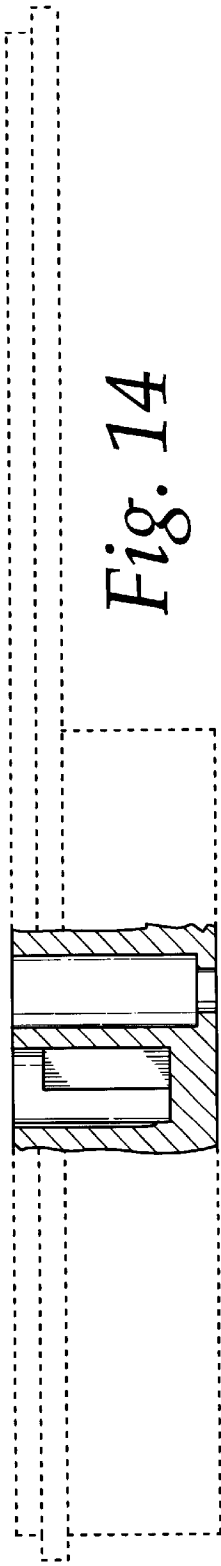


Fig. 14

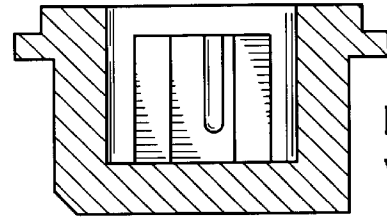


Fig. 15

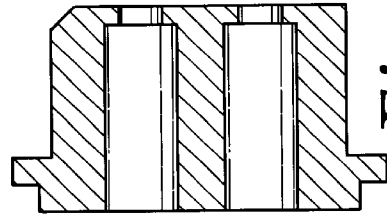


Fig. 16

UNITED STATES PATENT AND TRADEMARK OFFICE  
**CERTIFICATE OF CORRECTION**

PATENT NO. : Des. 478,549 S  
DATED : August 19, 2003  
INVENTOR(S) : Joachim Porzelt

Page 1 of 1

It is certified that error appears in the above-identified patent and that said Letters Patent is hereby corrected as shown below:

Title page.

Item [73], should read:

-- [73] Assignee: **Viasys Healthcare GmbH** --

Signed and Sealed this

Fourth Day of November, 2003

A handwritten signature in black ink, appearing to read "James E. Rogan", written over a horizontal line.

JAMES E. ROGAN  
*Director of the United States Patent and Trademark Office*