



- (51) International Patent Classification:
E21B 19/22 (2006.01) E21B 19/15 (2006.01)
E21B 19/00 (2006.01)
- (21) International Application Number:
PCT/GB2011/001061
- (22) International Filing Date:
15 July 2011 (15.07.2011)
- (25) Filing Language: English
- (26) Publication Language: English
- (30) Priority Data:
1011996.4 16 July 2010 (16.07.2010) GB
- (71) Applicant (for all designated States except US): **HELIX ENERGY SOLUTIONS (UK) LIMITED** [GB/GB];

Johnstone House, 52-54 Rose Street, Aberdeen AB10 1ND (GB).

- (72) Inventors; and
- (75) Inventors/Applicants (for US only): **LEIGH, Beck** [GB/GB]; Helix House, Kirkton Drive, Pitmedden Industrial Estate, Dyce, Aberdeen AB21 0BG (GB). **NICOL, Colin** [GB/GB]; Helix House, Kirkton Drive, Pitmedden Industrial Estate, Dyce, Aberdeen AB21 0BG (GB).
- (74) Agent: **SHANKS, Andrew**; Marks & Clerk LLP, Aurora, 120 Bothwell Street, Glasgow G2 7JS (GB).
- (81) Designated States (unless otherwise indicated, for every kind of national protection available): AE, AG, AL, AM, AO, AT, AU, AZ, BA, BB, BG, BH, BR, BW, BY, BZ, CA, CH, CL, CN, CO, CR, CU, CZ, DE, DK, DM, DO,

[Continued on next page]

(54) Title: TUBING APPARATUS AND ASSOCIATED METHODS

(57) Abstract: A coiled tubing lifting frame (10) for deploying coiled tubing in a riser (32). The coiled tubing lifting frame (10) comprises a coiled tubing injector (12) and the frame (10) is configured to position the coiled tubing injector (12) relative to a support (44). The coiled tubing lifting frame (10) is configured to support the riser (32). Methods of deploying a riser (32) and coiled tubing in a riser (32), including supporting the riser (32) with a coiled tubing lifting frame (10).

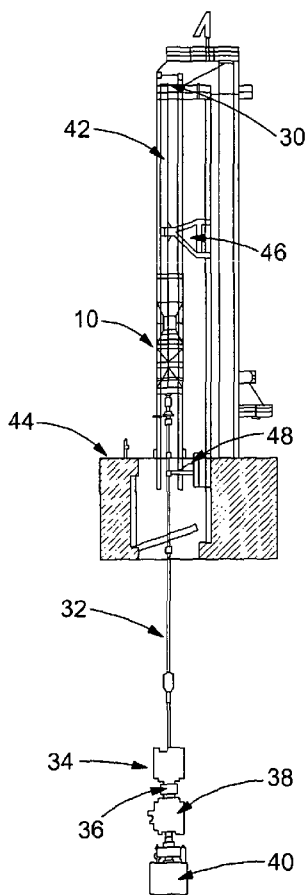


Figure 1

WO 2012/007724 A3

DZ, EC, EE, EG, ES, FI, GB, GD, GE, GH, GM, GT, HN, HR, HU, ID, IL, IN, IS, JP, KE, KG, KM, KN, KP, KR, KZ, LA, LC, LK, LR, LS, LT, LU, LY, MA, MD, ME, MG, MK, MN, MW, MX, MY, MZ, NA, NG, NI, NO, NZ, OM, PE, PG, PH, PL, PT, RO, RS, RU, SC, SD, SE, SG, SK, SL, SM, ST, SV, SY, TH, TJ, TM, TN, TR, TT, TZ, UA, UG, US, UZ, VC, VN, ZA, ZM, ZW.

(84) Designated States (unless otherwise indicated, for every kind of regional protection available): ARIPO (BW, GH, GM, KE, LR, LS, MW, MZ, NA, SD, SL, SZ, TZ, UG, ZM, ZW), Eurasian (AM, AZ, BY, KG, KZ, MD, RU, TJ, TM), European (AL, AT, BE, BG, CH, CY, CZ, DE, DK, EE, ES, FI, FR, GB, GR, HR, HU, IE, IS, IT, LT, LU,

LV, MC, MK, MT, NL, NO, PL, PT, RO, RS, SE, SI, SK, SM, TR), OAPI (BF, BJ, CF, CG, CI, CM, GA, GN, GQ, GW, ML, MR, NE, SN, TD, TG).

Published:

- with international search report (Art. 21(3))
- before the expiration of the time limit for amending the claims and to be republished in the event of receipt of amendments (Rule 48.2(h))

(88) Date of publication of the international search report:

28 March 2013

INTERNATIONAL SEARCH REPORT

International application No
PCT/GB2011/001061

A. CLASSIFICATION OF SUBJECT MATTER
INV. E21B19/22 E21B19/00 E21B19/15
ADD.

According to International Patent Classification (IPC) or to both national classification and IPC

B. FIELDS SEARCHED

Minimum documentation searched (classification system followed by classification symbols)
E21B

Documentation searched other than minimum documentation to the extent that such documents are included in the fields searched

Electronic data base consulted during the international search (name of data base and, where practicable, search terms used)

EPO-Internal, WPI Data, TULSA

C. DOCUMENTS CONSIDERED TO BE RELEVANT

Category*	Citation of document, with indication, where appropriate, of the relevant passages	Relevant to claim No.
X	US 2006/196672 A1 (ROBICHAUX DICKY J [US]) 7 September 2006 (2006-09-07) paragraphs [0016], [0121], [0149] figure 26	1-30
X	WO 2009/016346 A2 (EXPRO NORTH SEA LTD [GB]; SHAND DAVID MICHAEL [GB]) 5 February 2009 (2009-02-05) page 17, line 24 - line 28 page 18, line 1 - page 19, line 5 figures 7-10	1-30

Further documents are listed in the continuation of Box C. See patent family annex.

* Special categories of cited documents :

"A" document defining the general state of the art which is not considered to be of particular relevance	"T" later document published after the international filing date or priority date and not in conflict with the application but cited to understand the principle or theory underlying the invention
"E" earlier application or patent but published on or after the international filing date	"X" document of particular relevance; the claimed invention cannot be considered novel or cannot be considered to involve an inventive step when the document is taken alone
"L" document which may throw doubts on priority claim(s) or which is cited to establish the publication date of another citation or other special reason (as specified)	"Y" document of particular relevance; the claimed invention cannot be considered to involve an inventive step when the document is combined with one or more other such documents, such combination being obvious to a person skilled in the art
"O" document referring to an oral disclosure, use, exhibition or other means	"&" document member of the same patent family
"P" document published prior to the international filing date but later than the priority date claimed	

Date of the actual completion of the international search 9 January 2013	Date of mailing of the international search report 30/01/2013
---	--

Name and mailing address of the ISA/ European Patent Office, P.B. 5818 Patentlaan 2 NL - 2280 HV Rijswijk Tel. (+31-70) 340-2040, Fax: (+31-70) 340-3016	Authorized officer Schouten, Adri
--	--

INTERNATIONAL SEARCH REPORT

International application No
PCT/GB2011/001061

C(Continuation). DOCUMENTS CONSIDERED TO BE RELEVANT		
Category*	Citation of document, with indication, where appropriate, of the relevant passages	Relevant to claim No.
X	SNORRE FURBERG ET AL: "New topside solutions for coiled tubing floater operations", SPE 74813, 9 April 2002 (2002-04-09), - 10 April 2002 (2002-04-10), pages 1-9, XP002689802, DOI: 10.2118/74813-MS ISBN: 978-1-55563-952-5 the whole document	1-30
X	----- GB 2 431 418 A (SCHLUMBERGER HOLDINGS [VG]) 25 April 2007 (2007-04-25) page 3, paragraph 3 page 5, paragraph 1 figure 2	1-30
A	----- US 2005/189118 A1 (MONCUS JAMES D [US] ET AL MONCUS JAMES DEVIN [US] ET AL) 1 September 2005 (2005-09-01) figure 6	1-30
X	----- WO 2009/001088 A1 (GRENLAND GROUP TECHNOLOGY AS [NO]; PIESOLD ALEXANDER JAMES [GB]; SOERE) 31 December 2008 (2008-12-31) page 12, line 1 - line 6 page 12, line 11 - line 17 page 14, line 20 - page 15, line 2 figures 3,11-14	31-54
X	----- US 4 621 403 A (BABB RICHARD C [US] ET AL) 11 November 1986 (1986-11-11) column 3, line 22 - line 24 column 4, line 8 - line 13 figures 1,2	31,49
X	----- WO 2009/026205 A2 (MALTBY SCOTT R [US]) 26 February 2009 (2009-02-26) page 8, line 6 - line 30 page 11, line 13 - line 26 figures 1,4,5,10,11	55-92
X	----- GB 2 137 261 A (TOTAL TRANSPORTATION; MOSS ROSENBERG VERFT AS) 3 October 1984 (1984-10-03) page 3, line 26 - line 62 figure 2	55-92
X	----- US 3 750 898 A (ANCEY G ET AL) 7 August 1973 (1973-08-07) abstract figures 1-3	55-92
	----- -/--	

INTERNATIONAL SEARCH REPORT

International application No
PCT/GB2011/001061

C(Continuation). DOCUMENTS CONSIDERED TO BE RELEVANT

Category*	Citation of document, with indication, where appropriate, of the relevant passages	Relevant to claim No.
X	EP 0 418 057 A1 (TRI STATE OIL TOOLS INC [GB]) 20 March 1991 (1991-03-20) page 4, column 5, line 12 - line 50 figures 1-3 -----	93-98

INTERNATIONAL SEARCH REPORT

International application No.
PCT/GB2011/001061

Box No. II Observations where certain claims were found unsearchable (Continuation of item 2 of first sheet)

This international search report has not been established in respect of certain claims under Article 17(2)(a) for the following reasons:

1. Claims Nos.:
because they relate to subject matter not required to be searched by this Authority, namely:

2. Claims Nos.:
because they relate to parts of the international application that do not comply with the prescribed requirements to such an extent that no meaningful international search can be carried out, specifically:

3. Claims Nos.:
because they are dependent claims and are not drafted in accordance with the second and third sentences of Rule 6.4(a).

Box No. III Observations where unity of invention is lacking (Continuation of item 3 of first sheet)

This International Searching Authority found multiple inventions in this international application, as follows:

see additional sheet

1. As all required additional search fees were timely paid by the applicant, this international search report covers all searchable claims.

2. As all searchable claims could be searched without effort justifying an additional fees, this Authority did not invite payment of additional fees.

3. As only some of the required additional search fees were timely paid by the applicant, this international search report covers only those claims for which fees were paid, specifically claims Nos.:

1-98

4. No required additional search fees were timely paid by the applicant. Consequently, this international search report is restricted to the invention first mentioned in the claims; it is covered by claims Nos.:

Remark on Protest

- The additional search fees were accompanied by the applicant's protest and, where applicable, the payment of a protest fee.
- The additional search fees were accompanied by the applicant's protest but the applicable protest fee was not paid within the time limit specified in the invitation.
- No protest accompanied the payment of additional search fees.

FURTHER INFORMATION CONTINUED FROM PCT/ISA/ 210

This International Searching Authority found multiple (groups of) inventions in this international application, as follows:

1. claims: 1-30

A coiled tubing lifting frame and related method.

2. claims: 31-54

A coiled tubing lifting frame deployment apparatus and related method.

3. claims: 55-92

A tubular deployment apparatus and related method.

4. claims: 93-98

A method of retrieving a first coiled tubing member from a well-bore.

5. claims: 99-109

A coiled tubing lifting frame comprising an injector adapted to receive coiled tubing in the injector when the lifting frame is in a stored configuration.

6. claims: 110-113

A coiled tubing lifting frame compensation apparatus.

INTERNATIONAL SEARCH REPORT

Information on patent family members

International application No

PCT/GB2011/001061

Patent document cited in search report		Publication date	Patent family member(s)	Publication date
US 2006196672	A1	07-09-2006	NONE	
WO 2009016346	A2	05-02-2009	CA 2694581 A1 EP 2176502 A2 US 2011005766 A1 WO 2009016346 A2	05-02-2009 21-04-2010 13-01-2011 05-02-2009
GB 2431418	A	25-04-2007	BR PI0604298 A CA 2562351 A1 GB 2431418 A US 2007089884 A1	21-08-2007 21-04-2007 25-04-2007 26-04-2007
US 2005189118	A1	01-09-2005	NONE	
WO 2009001088	A1	31-12-2008	EP 2167781 A1 GB 2451545 A US 2010314121 A1 WO 2009001088 A1	31-03-2010 04-02-2009 16-12-2010 31-12-2008
US 4621403	A	11-11-1986	CA 1226517 A1 US 4621403 A	08-09-1987 11-11-1986
WO 2009026205	A2	26-02-2009	US 2009053013 A1 WO 2009026205 A2	26-02-2009 26-02-2009
GB 2137261	A	03-10-1984	GB 2137261 A NO 831115 A	03-10-1984 01-10-1984
US 3750898	A	07-08-1973	BE 774529 A1 CA 959041 A1 DE 2154061 A1 FR 2109014 A1 GB 1342938 A IT 942762 B MY 7400236 A NL 7114999 A OA 3822 A SU 594897 A3 US 3750898 A	27-04-1972 10-12-1974 10-05-1972 26-05-1972 10-01-1974 02-04-1973 31-12-1974 03-05-1972 24-12-1971 25-02-1978 07-08-1973
EP 0418057	A1	20-03-1991	EP 0418057 A1 NO 903983 A	20-03-1991 13-03-1991