



US0D1038236S

(12) **United States Design Patent**
Fraga Da Costa Diesel et al.

(10) **Patent No.:** **US D1,038,236 S**

(45) **Date of Patent:** **** Aug. 6, 2024**

(54) LABEL ASSEMBLY	4,661,189 A * 4/1987 Voy	B31D 1/021 428/40.1
(71) Applicant: GA International Inc. , Laval (CA)	4,925,716 A * 5/1990 Haas	G09F 3/0286 428/137
(72) Inventors: Luciana Fraga Da Costa Diesel , Laval (CA); John Wagner , Laval (CA); Gourgen Ambartsoumian , Laval (CA)	4,930,812 A * 6/1990 Howard	B31D 1/021 462/901
	4,967,951 A * 11/1990 Sherman	B65D 27/34 229/92.1
(73) Assignee: GA INTERNATIONAL INC. , Laval (CA)	RE33,616 E * 6/1991 Welsch	B42D 5/023 428/57
	5,242,326 A * 9/1993 Dexter	B42D 5/023 462/2
(**) Term: 15 Years	5,328,738 A * 7/1994 McKillip	G09F 3/02 428/40.9

(21) Appl. No.: **29/845,088**

(Continued)

(22) Filed: **Jul. 5, 2022**

Primary Examiner — Catherine Ho

(30) **Foreign Application Priority Data**

(74) *Attorney, Agent, or Firm* — Hahn Loeser & Parks LLP

Jan. 6, 2022 (EM) 008821284-0001

(51) **LOC (14) Cl.** **19-01**

(52) **U.S. Cl.** **D19/1; D20/27**

USPC **D19/1; D20/27**

(58) **Field of Classification Search**

USPC D2/853, 891, 895; D5/63, 64, 65, 66, 99;
D9/434, 456, 457, 499; D19/1, 2, 3, 4, 5,
D19/6, 7, 8, 9, 10, 11, 12; D20/10, 11,
D20/18, 22, 23, 24, 25, 26, 27, 28, 29,
D20/40, 49, 99; D24/224, 225, 226, 231

CPC G09F 3/00; G09F 1/02; G09F 1/04; G09F
3/005; G09F 3/02; G09F 2003/0201;
G09F 2003/0202; G09F 2003/0208; G09F
2003/0214; G09F 2003/023; G09F
2003/0257; G09F 2003/0264; G09F
2003/0272; G09F 2003/0276; G09F
2003/028; G09F 3/0288; G09F 3/0291;
G09F 3/0297; G09F 3/03

See application file for complete search history.

(56) **References Cited**

U.S. PATENT DOCUMENTS

2,063,271 A * 12/1936 Scott G09F 3/14
D20/27

3,558,388 A * 1/1971 Somerville G06K 19/022
156/252

(57) **CLAIM**

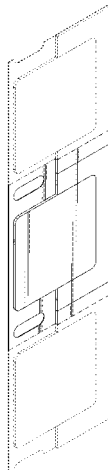
The ornamental design for a label assembly, as shown and described.

DESCRIPTION

FIG. 1 is a front right top perspective view of a label assembly, showing our new design;
FIG. 2 is a back right top perspective thereof;
FIG. 3 is a front view thereof;
FIG. 4 is a back view thereof;
FIG. 5 is a top view thereof;
FIG. 6 is a bottom view thereof;
FIG. 7 is a left side view thereof; and,
FIG. 8 is a right side view thereof.

The evenly dashed broken lines in the drawings show portions of the article that form no part of the claimed design. The dot-dash broken lines define the bounds of the claimed design and form no part thereof.

1 Claim, 6 Drawing Sheets



(56)

References Cited

U.S. PATENT DOCUMENTS

5,439,721	A *	8/1995	Pedroli	G09F 3/0289	428/41.9
						40/310
5,587,222	A *	12/1996	Hoffmann	B32B 7/06	428/192
5,601,682	A *	2/1997	Longtin	B32B 37/12	156/324
5,700,537	A *	12/1997	Instance	G09F 3/0289	40/310
5,846,623	A *	12/1998	Denny	B31D 1/021	428/41.9
5,846,624	A *	12/1998	Denklau	G09F 3/10	283/81
5,860,238	A *	1/1999	Anderson	G09F 3/0289	40/630
5,904,973	A *	5/1999	Coward	B32B 7/06	283/81
D421,046	S *	2/2000	Popat	D19/1	
6,027,780	A *	2/2000	Treleaven	G09F 3/0289	
6,036,234	A *	3/2000	Chess	G09F 3/0288	283/105
D457,568	S *	5/2002	Leon	D20/22	
D458,309	S *	6/2002	Hamilton	D20/27	
D469,129	S *	1/2003	Fabel	D20/22	
6,749,229	B2 *	6/2004	Kennedy	B42D 15/04	281/3.1
6,761,791	B2 *	7/2004	Arway	G06Q 10/08	156/289
6,929,128	B2 *	8/2005	Caldwell	B65D 75/52	206/466
D529,607	S *	10/2006	Lindner	D24/124	
8,616,582	B2 *	12/2013	Kennedy	B42D 1/00	283/67
9,812,040	B1 *	11/2017	Valenti, Jr.	B65C 9/46	
D861,249	S *	9/2019	Zaremba	D28/44.1	
10,672,300	B1 *	6/2020	Valenti, Jr.	B32B 7/06	

* cited by examiner

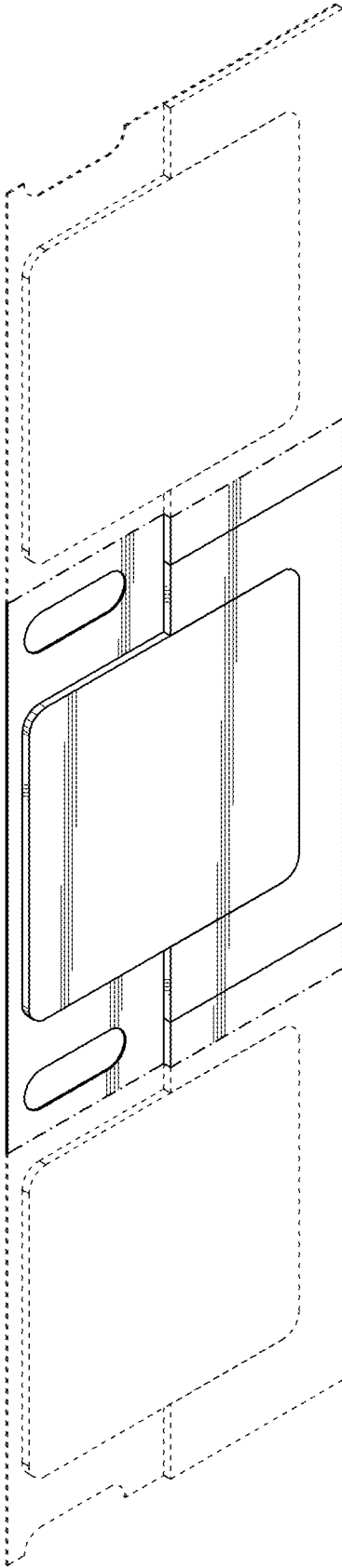


FIG. 1

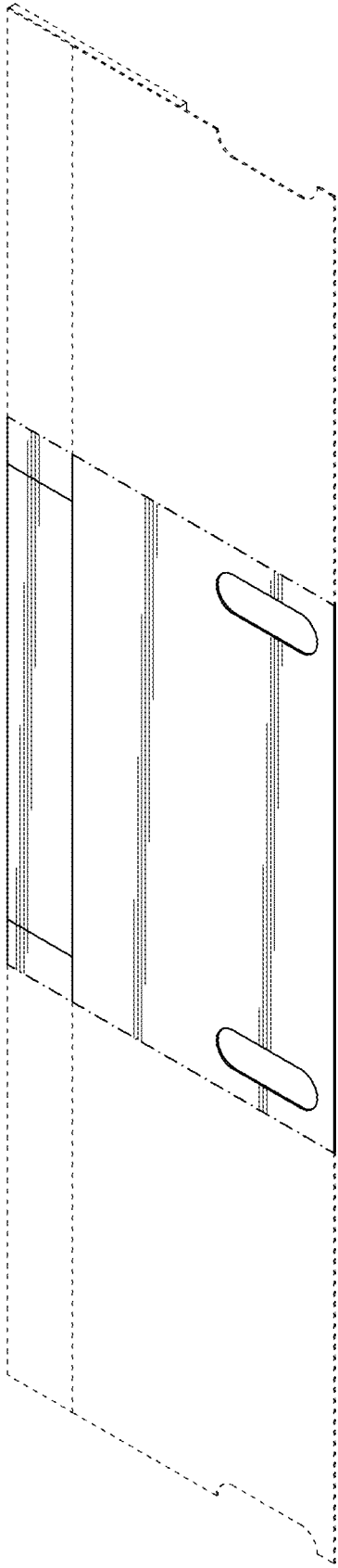


FIG. 2

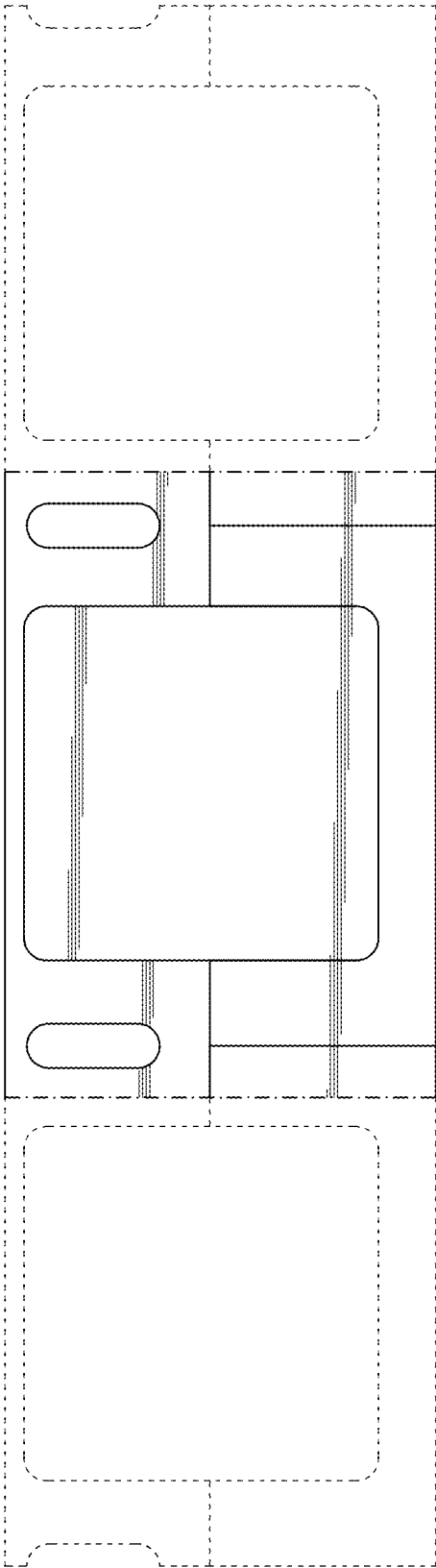


FIG. 3

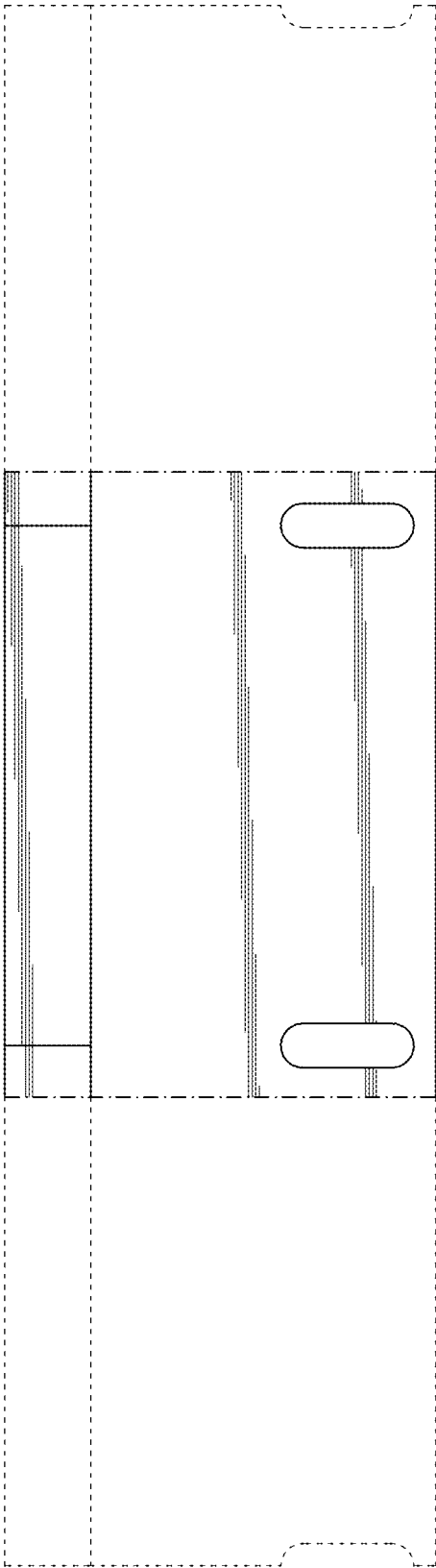


FIG. 4



FIG. 5

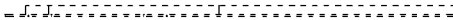


FIG. 6



FIG. 7



FIG. 8