



US00D740928S

(12) **United States Design Patent**  
**Bruining et al.**

(10) **Patent No.:** **US D740,928 S**

(45) **Date of Patent:** **\*\* Oct. 13, 2015**

(54) **TABLET**

(71) Applicant: **Reckitt Benckiser LLC**, Parsippany, NJ  
(US)

(72) Inventors: **Sebastiaan Bruining**, Eindhoven (NL);  
**Jos Harrison**, Slough (GB); **Bartosz Rakiel**, Montvale, NJ (US)

(73) Assignee: **Reckitt Benckiser LLC**, Parsippany, NJ  
(US)

(\*\*) Term: **14 Years**

(21) Appl. No.: **29/495,620**

(22) Filed: **Jul. 2, 2014**

(30) **Foreign Application Priority Data**

Jan. 14, 2014 (EM) ..... 001398838-0004

(51) **LOC (10) Cl.** ..... **24-01**

(52) **U.S. Cl.**  
USPC ..... **D24/101**

(58) **Field of Classification Search**

USPC ..... D24/100-104; D1/100, 127, 130;  
D23/207, 208; D21/470, 479,  
D21/486-488, 386  
CPC ..... A61K 9/20; A61K 9/209; A61K 9/2077;  
A61K 9/5078; A61K 9/2081; A61K 9/4891;  
A61K 9/167; A61K 8/11

See application file for complete search history.

(56) **References Cited**

U.S. PATENT DOCUMENTS

D285,363	S	*	8/1986	Tovey	.....	D24/101
D286,208	S	*	10/1986	Tovey	.....	D24/101
D334,227	S	*	3/1993	Gladfelder et al.	.....	D23/207
D375,157	S	*	10/1996	Kramer et al.	.....	D24/101
D450,883	S	*	11/2001	Buter et al.	.....	D28/8.1
D477,866	S	*	7/2003	Dubois et al.	.....	D24/101
D535,741	S	*	1/2007	Stawski et al.	.....	D24/101
D555,783	S	*	11/2007	Chen et al.	.....	D24/102
D556,946	S	*	12/2007	Seum et al.	.....	D28/8.1
D556,947	S	*	12/2007	Seum et al.	.....	D28/8.1
D580,547	S	*	11/2008	Lolis et al.	.....	D24/101
D685,081	S	*	6/2013	Ferguson et al.	.....	D24/101
2006/0191548	A1	*	8/2006	Strickland et al.	.....	131/347
2009/0056521	A1	*	3/2009	Goad	.....	84/320
2011/0247640	A1	*	10/2011	Beeson et al.	.....	131/275

\* cited by examiner

*Primary Examiner* — Ian Simmons

*Assistant Examiner* — Charles Hanson

(74) *Attorney, Agent, or Firm* — Norris McLaughlin & Marcus PA

(57)

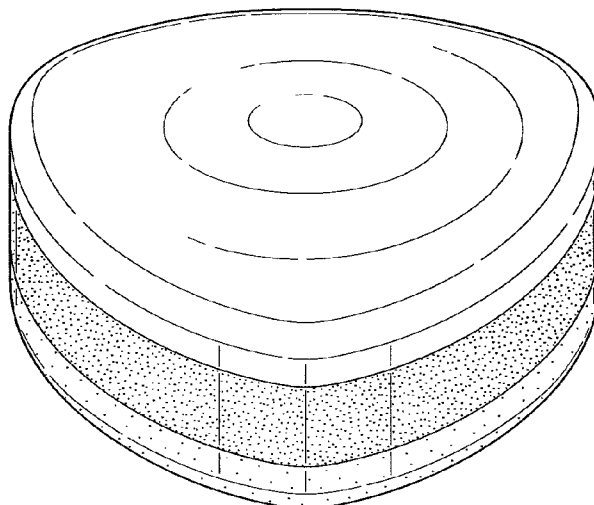
**CLAIM**

The ornamental design for a tablet, as shown and described.

**DESCRIPTION**

FIG. 1 is a perspective view of the tablet;  
FIG. 2 is a plan view of a first side of the tablet;  
FIG. 3 is plan view of a second side of the tablet;  
FIG. 4 is a plan view of a third side of the tablet;  
FIG. 5 is a plan view of fourth side of the tablet;  
FIG. 6 is a plan view of the top of the tablet; and,  
FIG. 7 is a plan view of the underside of the tablet.  
The stippled shading is meant to indicate a contrast in appearance between layers.

**1 Claim, 4 Drawing Sheets**



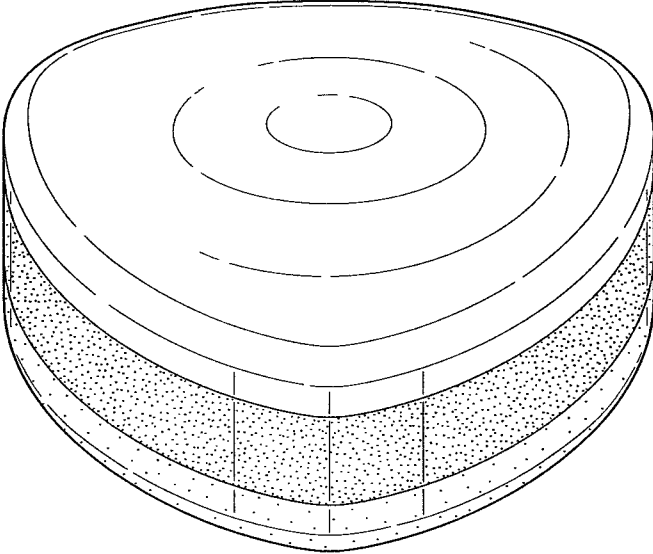


Fig. 1

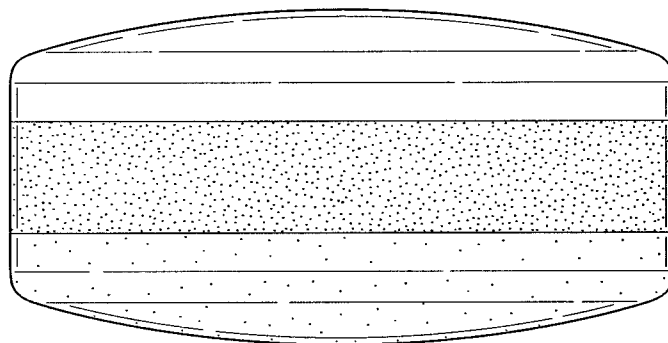


Fig. 2

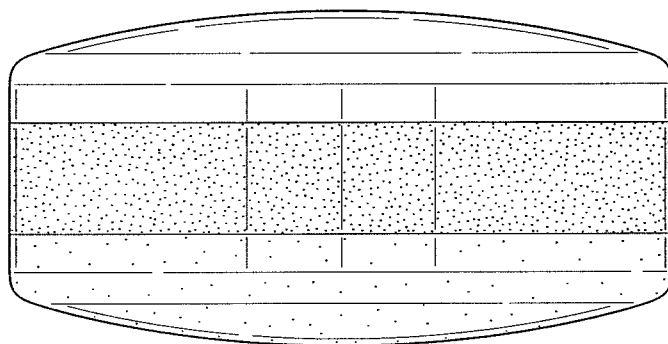


Fig. 3

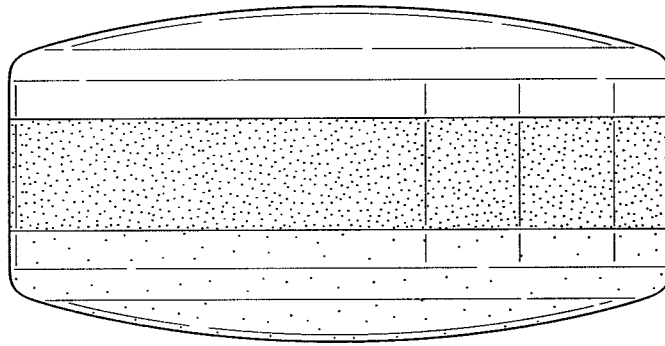


Fig. 4

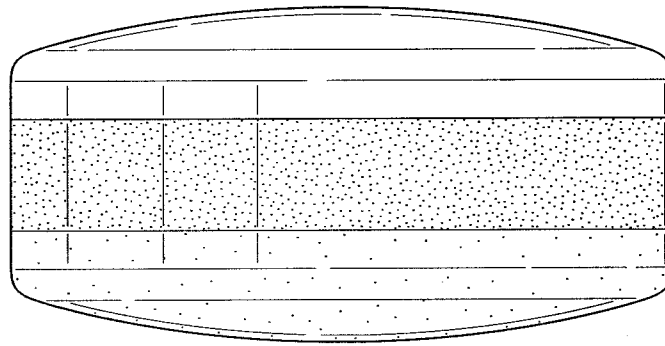


Fig. 5

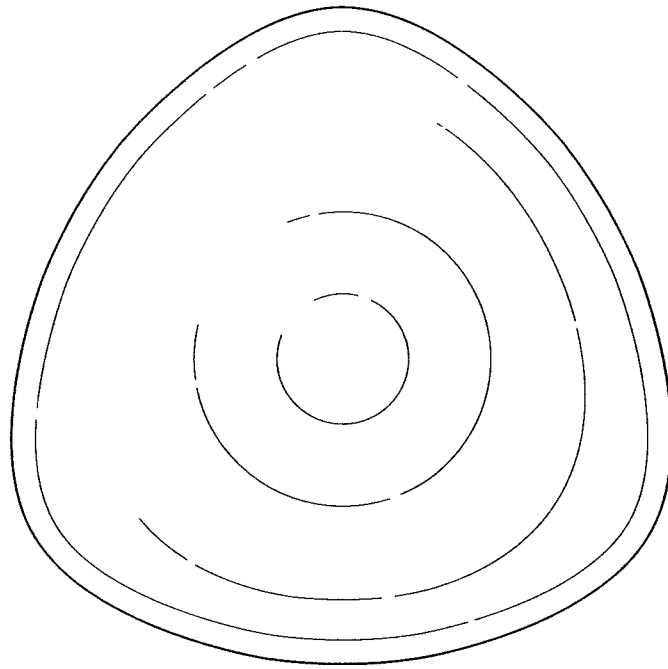


Fig. 6

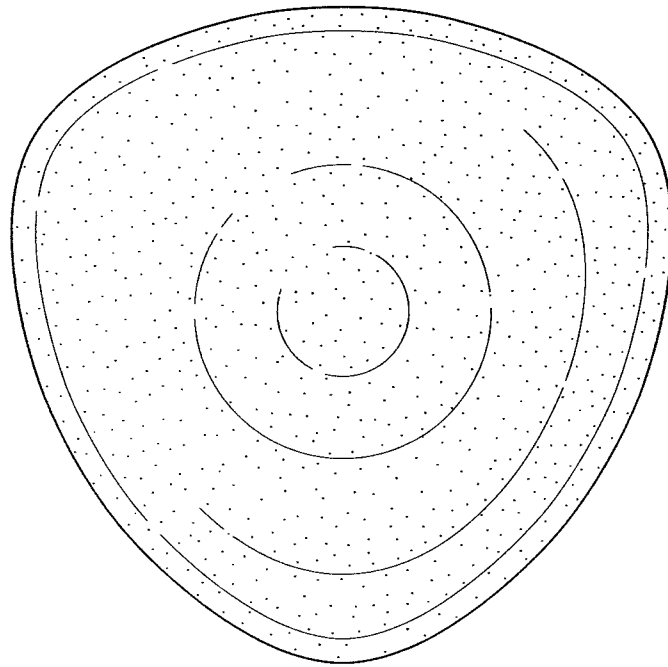


Fig. 7