



US00D516142S

(12) **United States Design Patent**  
**Panatta**

(10) **Patent No.:** **US D516,142 S**

(45) **Date of Patent:** **\*\* Feb. 28, 2006**

(54) **BODY-BUILDING MACHINE**

2002/0035017 A1 \* 3/2002 Pertegaz-Esteban ..... 482/92  
2002/0098957 A1 \* 7/2002 Webber ..... 482/138

(76) Inventor: **Rodolfo Panatta**, Via Madonna della Fonte, 2, 62021-Apiro (IT)

**OTHER PUBLICATIONS**

(\*\*) Term: **14 Years**

Gopher Catalog, Fall 2003, pp. 230 and 240, Power Source Selectorized Machines.\*

(21) Appl. No.: **29/198,042**

BSN Sports Catalog, Fall 2002, p. 26, Low row machine.\*

(22) Filed: **Jan. 23, 2004**

\* cited by examiner

(51) **LOC (8) Cl.** ..... **21-02**

*Primary Examiner*—Philip S. Hyder

(52) **U.S. Cl.** ..... **D21/676**

(74) *Attorney, Agent, or Firm*—Armstrong, Kratz, Quintos, Hanson & Brooks, LLP

(58) **Field of Classification Search** ..... D21/662,  
D21/673, 674, 675, 676; 482/93, 94, 95,  
482/97, 98, 99, 100, 101, 133, 134, 135,  
482/137, 138

(57) **CLAIM**

See application file for complete search history.

I claim the ornamental design for a body-building machine, as shown and described.

**DESCRIPTION**

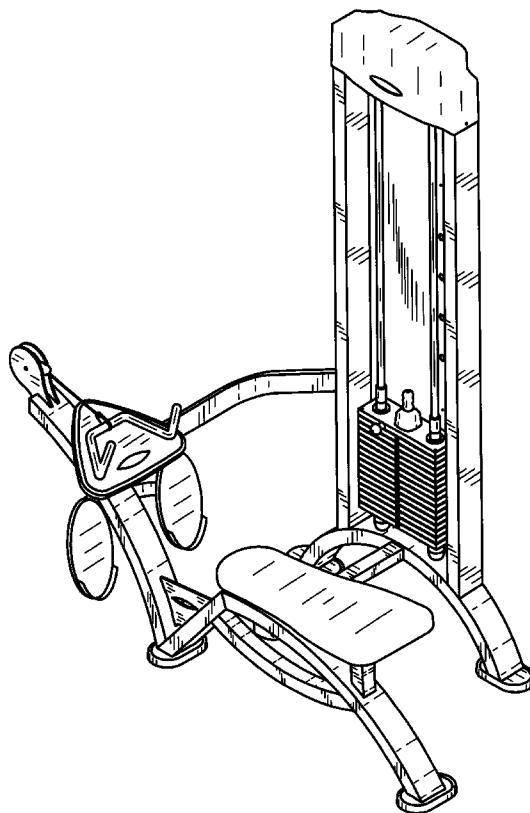
(56) **References Cited**

**U.S. PATENT DOCUMENTS**

4,911,435	A	*	3/1990	Johns	.....	482/137
4,949,951	A	*	8/1990	Deola	.....	482/100
D321,026	S	*	10/1991	Jones	.....	D21/676
D321,028	S	*	10/1991	Jones	.....	D21/676
5,135,456	A	*	8/1992	Jones	.....	482/133
5,250,013	A	*	10/1993	Brangi	.....	482/98
5,597,375	A	*	1/1997	Simonson	.....	482/136
5,620,402	A	*	4/1997	Simonson	.....	482/100
6,302,833	B1	*	10/2001	Ellis et al.	.....	482/100

FIG. 1 is a front elevational view thereof.  
FIG. 2 is a right side elevational view thereof.  
FIG. 3 is a left side elevational view thereof.  
FIG. 4 is a top plan elevational view thereof.  
FIG. 5 is a bottom plan elevational view thereof.  
FIG. 6 is a rear elevational view thereof; and,  
FIG. 7 is a right perspective view of a body-building machine.

**1 Claim, 7 Drawing Sheets**



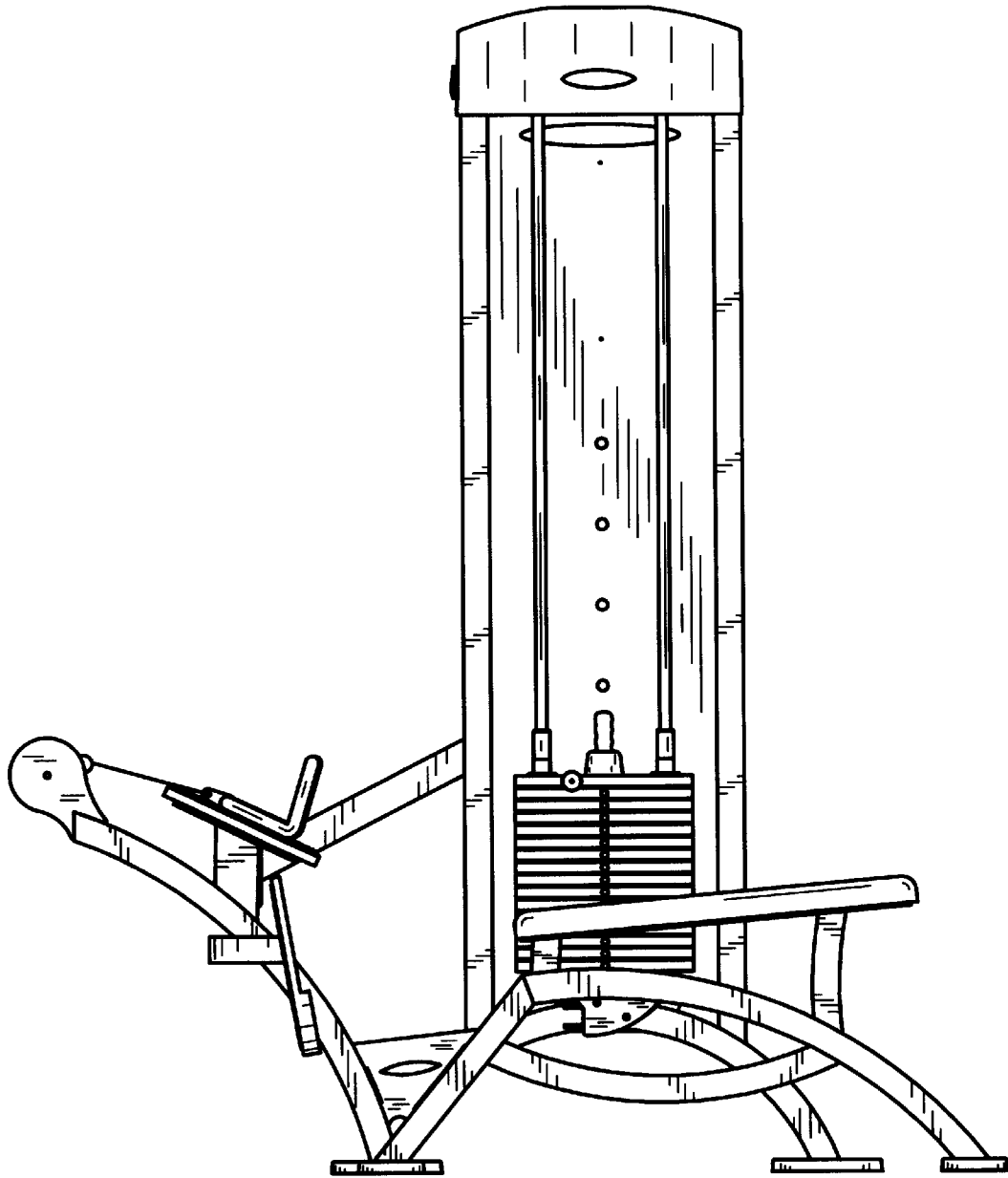


FIG. 1

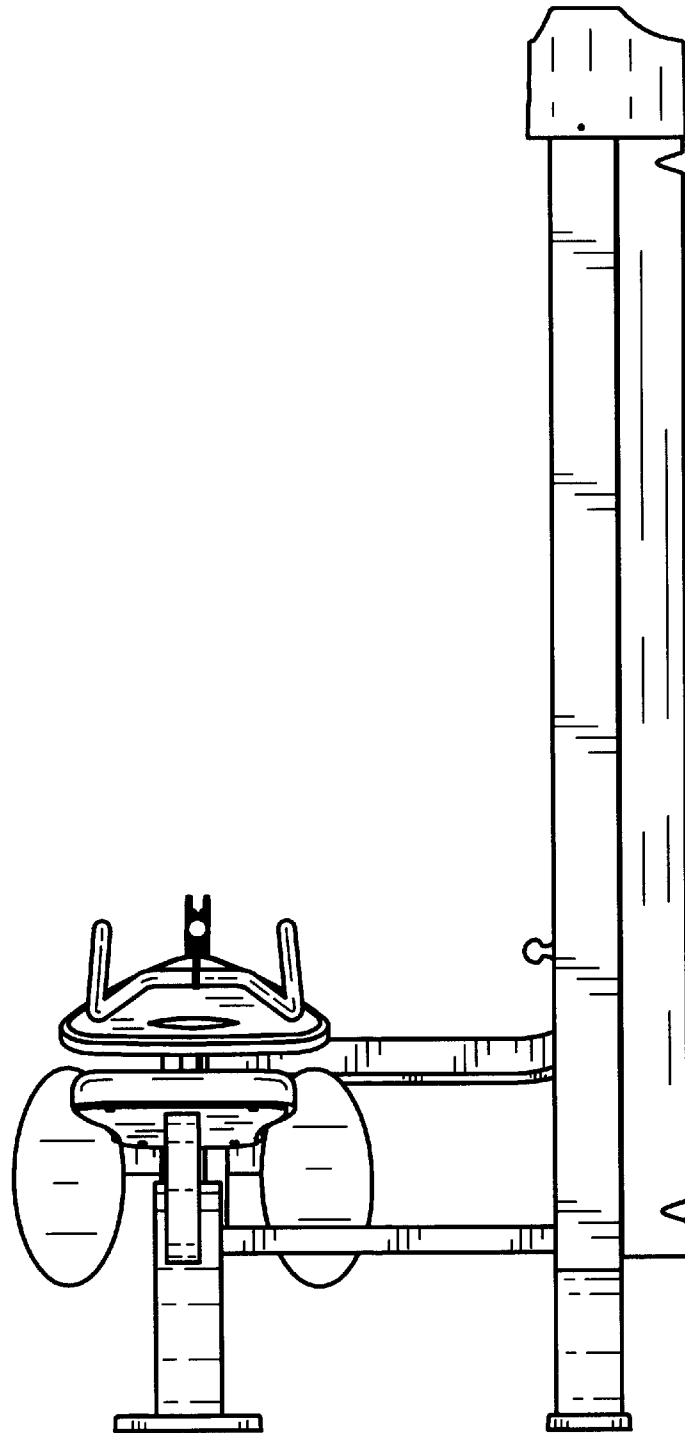


FIG. 2

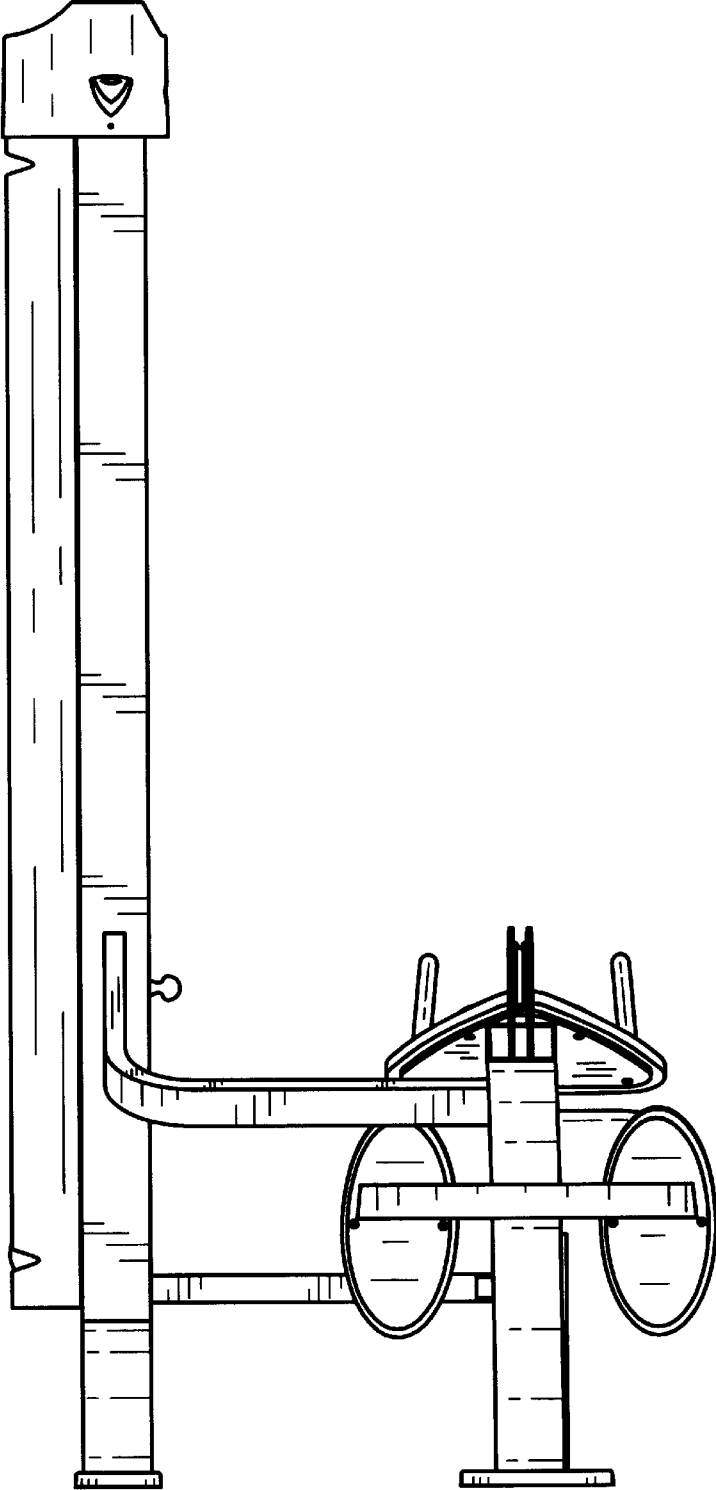


FIG. 3

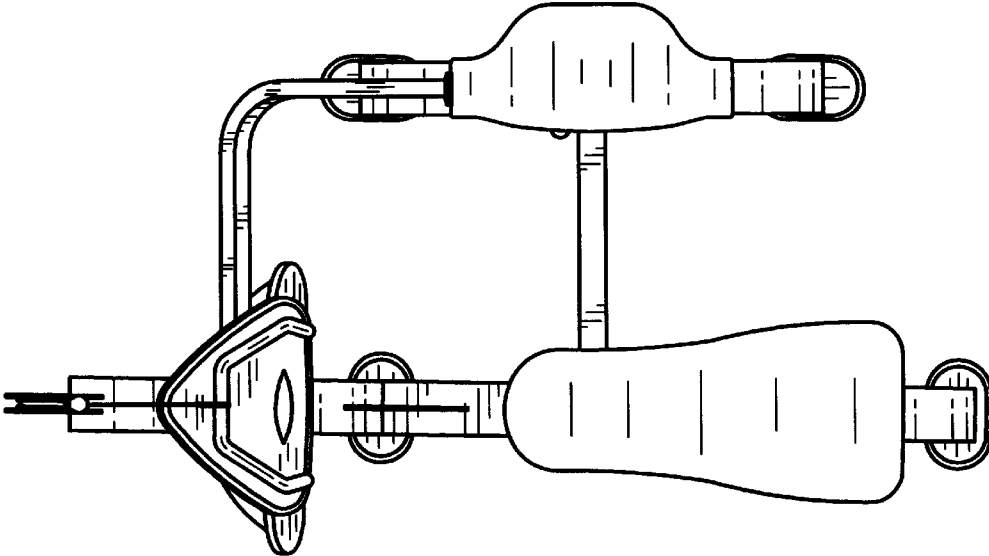


FIG. 4

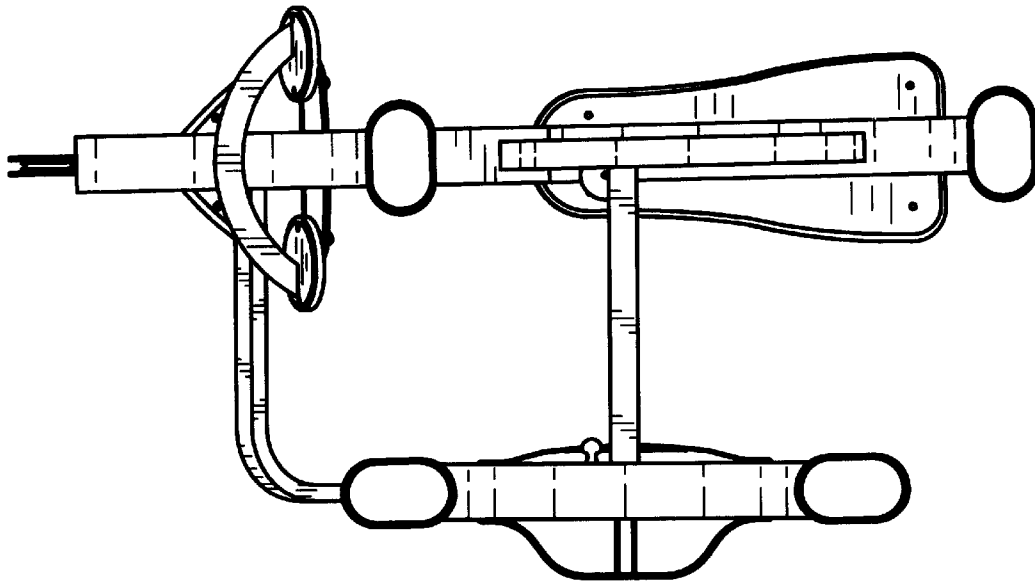


FIG. 5

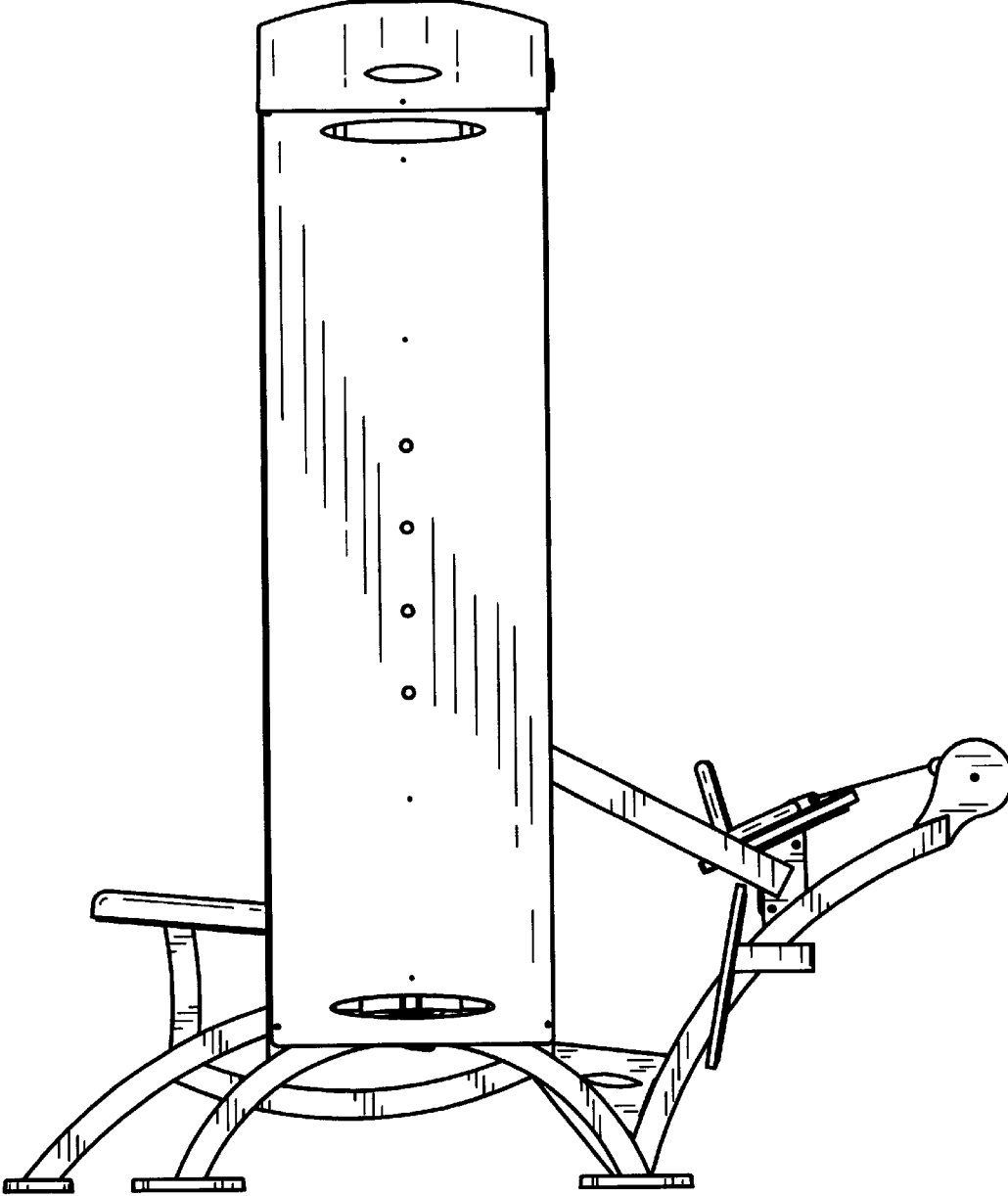


FIG. 6

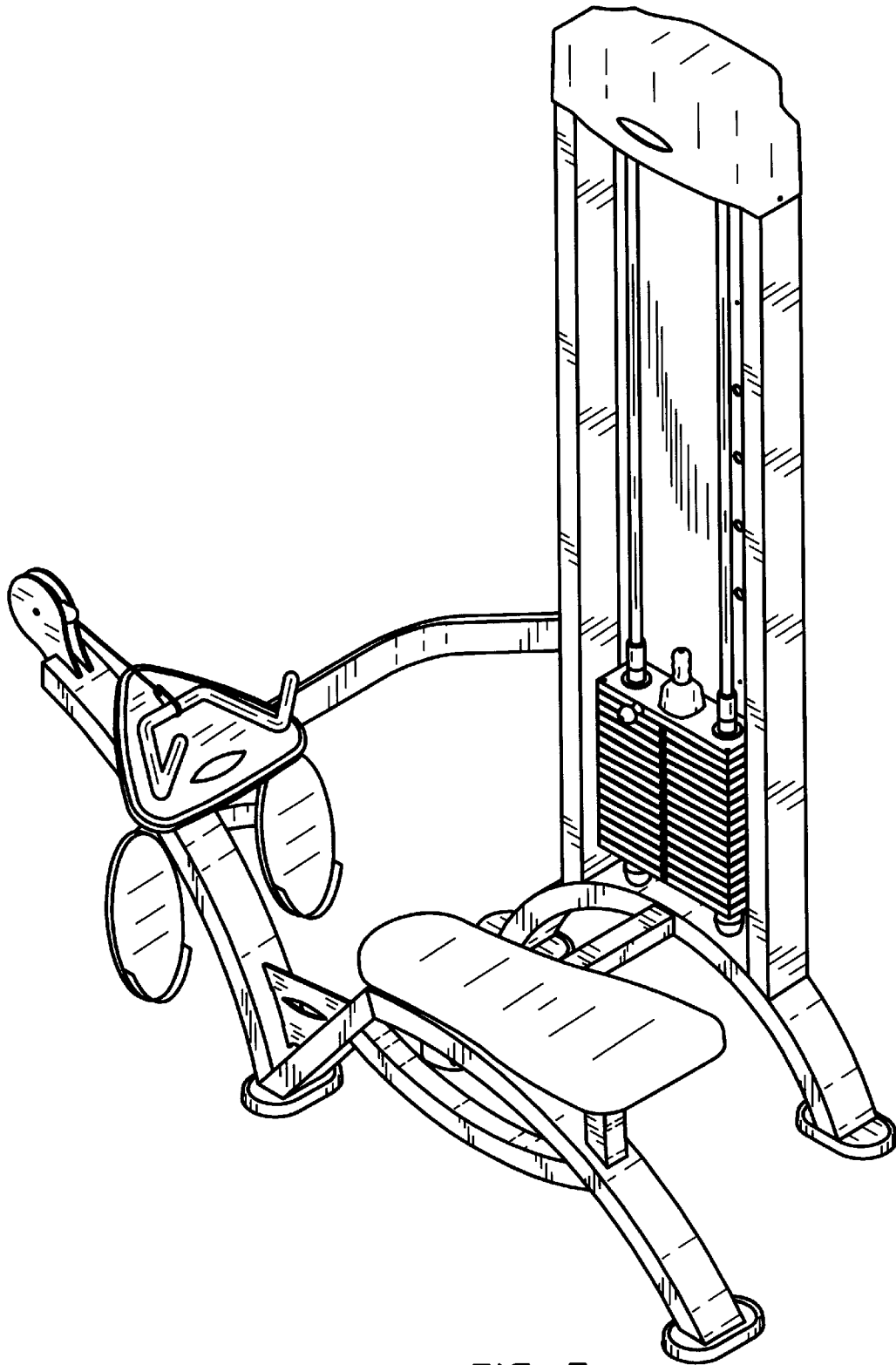


FIG. 7