



US00D776728S

(12) **United States Design Patent**
Wu

(10) **Patent No.:** **US D776,728 S**

(45) **Date of Patent:** **** Jan. 17, 2017**

- (54) **LINEAR ACTUATOR**
- (71) Applicant: **TIMOTION TECHNOLOGY CO., LTD.**, New Taipei (TW)
- (72) Inventor: **Chou-Hsin Wu**, New Taipei (TW)
- (73) Assignee: **TIMOTION TECHNOLOGY CO., LTD.**, New Taipei (TW)
- (**) Term: **15 Years**
- (21) Appl. No.: **29/551,343**
- (22) Filed: **Jan. 12, 2016**
- (51) **LOC (10) Cl.** **15-09**
- (52) **U.S. Cl.**
USPC **D15/143**
- (58) **Field of Classification Search**
USPC D13/118, 158, 162, 184; D15/1-5, 7, 9, D15/143, 148, 149, 199
See application file for complete search history.

8,040,082	B2 *	10/2011	Bastholm	F16H 25/2015
					318/135
D654,524	S *	2/2012	Iversen	D15/199
D656,975	S *	4/2012	Tseng	D15/143
8,806,972	B2 *	8/2014	Wang	F16H 25/20
					403/60
9,341,248	B2 *	5/2016	Wu	F16H 25/20
D765,748	S *	9/2016	Bogelund	D15/143
2005/0264109	A1 *	12/2005	Abrahamsen	F16H 25/20
					310/20

* cited by examiner

Primary Examiner — Patricia Palasik

(74) *Attorney, Agent, or Firm* — Chun-Ming Shih; HDLS IPR Services

(57) **CLAIM**

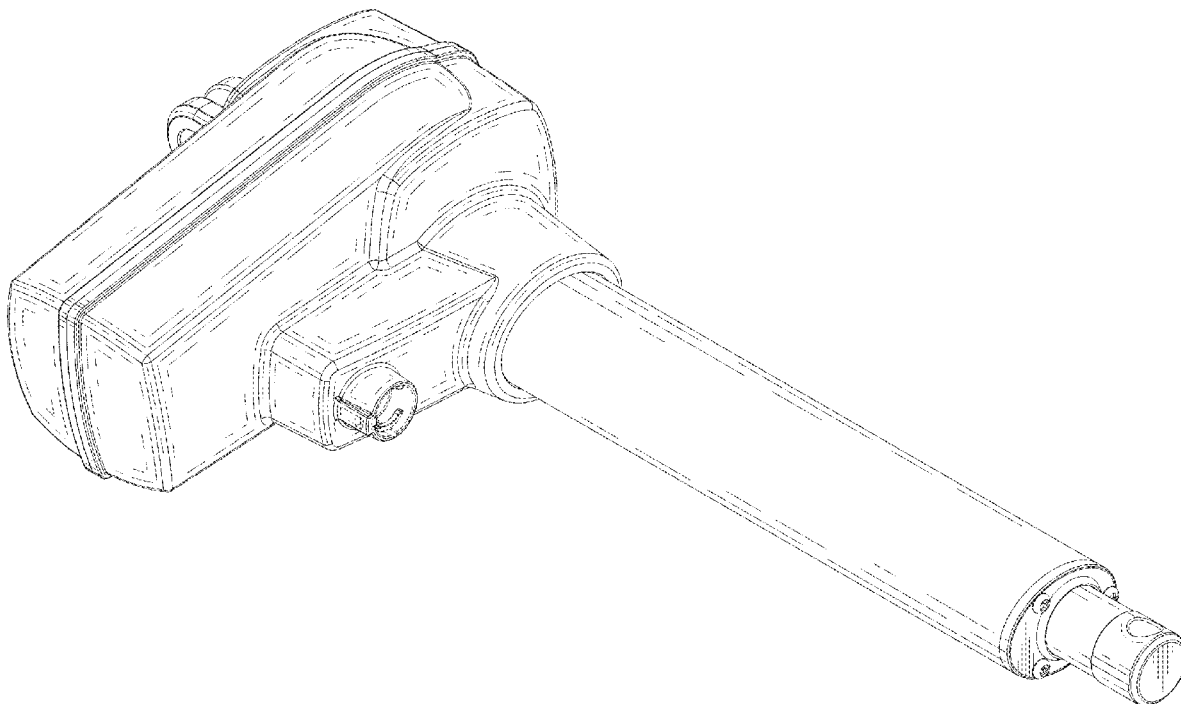
The ornamental design for a linear actuator, as shown and described.

DESCRIPTION

FIG. 1 is a perspective view of a linear actuator showing my new design;
 FIG. 2 is a front view thereof;
 FIG. 3 is a rear view thereof;
 FIG. 4 is a left side view thereof;
 FIG. 5 is a right side view thereof;
 FIG. 6 is a top view thereof;
 FIG. 7 is a bottom view thereof; and,
 FIG. 8 is second perspective view showing the linear actuator.
 The broken lines shown depict unclaimed environmental subject matter.

1 Claim, 8 Drawing Sheets

- (56) **References Cited**
U.S. PATENT DOCUMENTS
- | | | | | | |
|-----------|------|---------|------------|-------|--------------|
| D458,284 | S * | 6/2002 | Landerholm | | D15/143 |
| 6,670,734 | B2 * | 12/2003 | Morishima | | F16H 25/2015 |
| | | | | | 310/80 |
| D514,146 | S * | 1/2006 | Haneball | | D15/143 |
| D577,753 | S * | 9/2008 | Lund | | D15/143 |
| D589,991 | S * | 4/2009 | Chen | | D15/143 |
| D596,652 | S * | 7/2009 | Roither | | D15/143 |
| D632,321 | S * | 2/2011 | Wu | | D15/143 |
| D646,310 | S * | 10/2011 | Lan | | D15/143 |



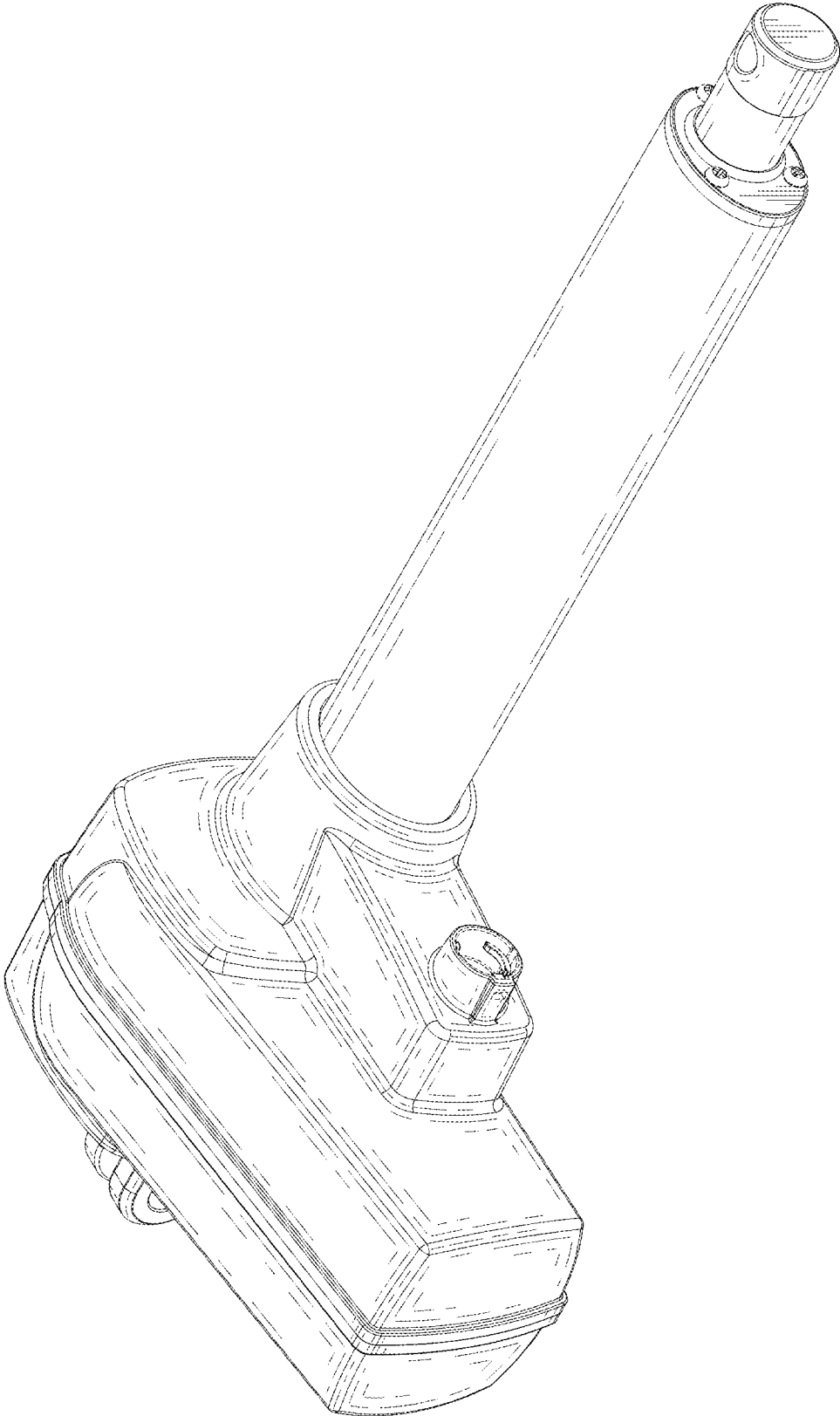


FIG.1

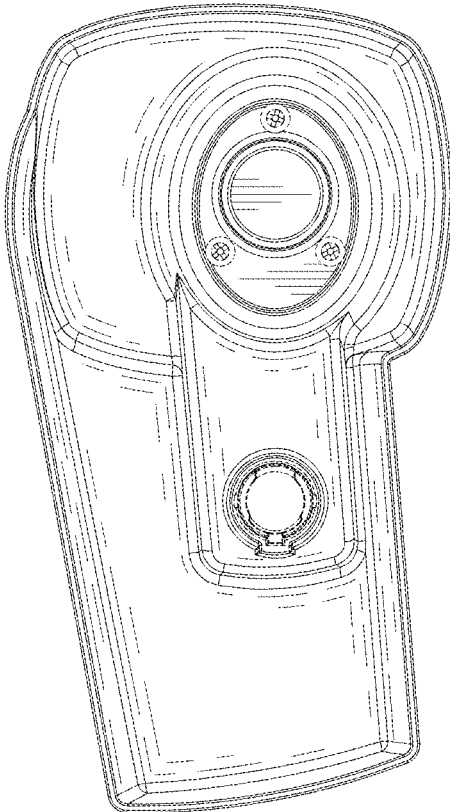


FIG.2

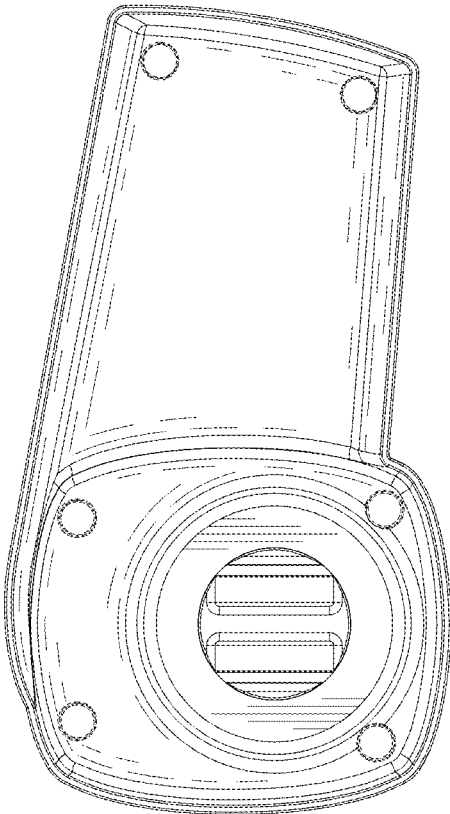


FIG. 3

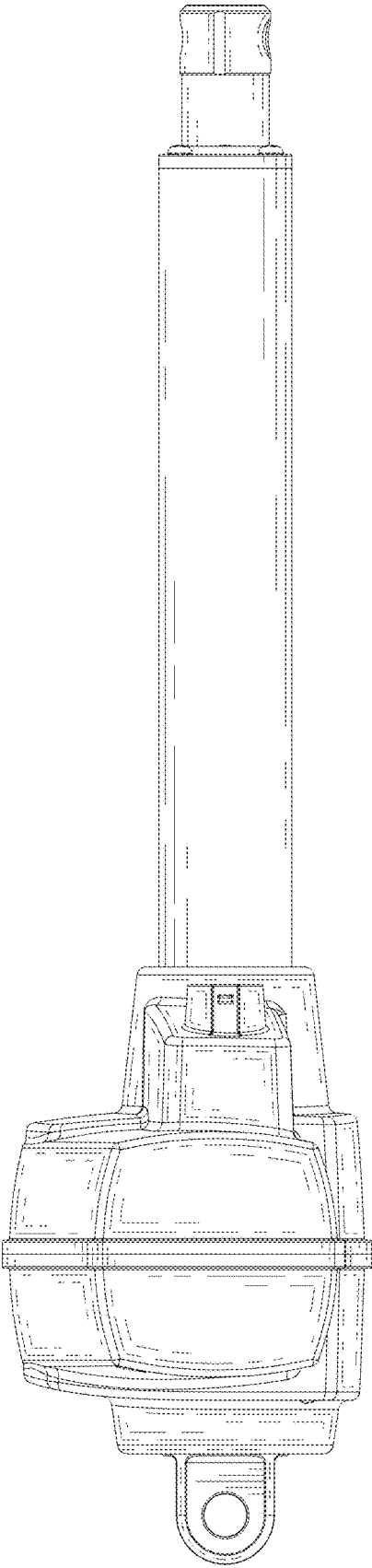


FIG.4

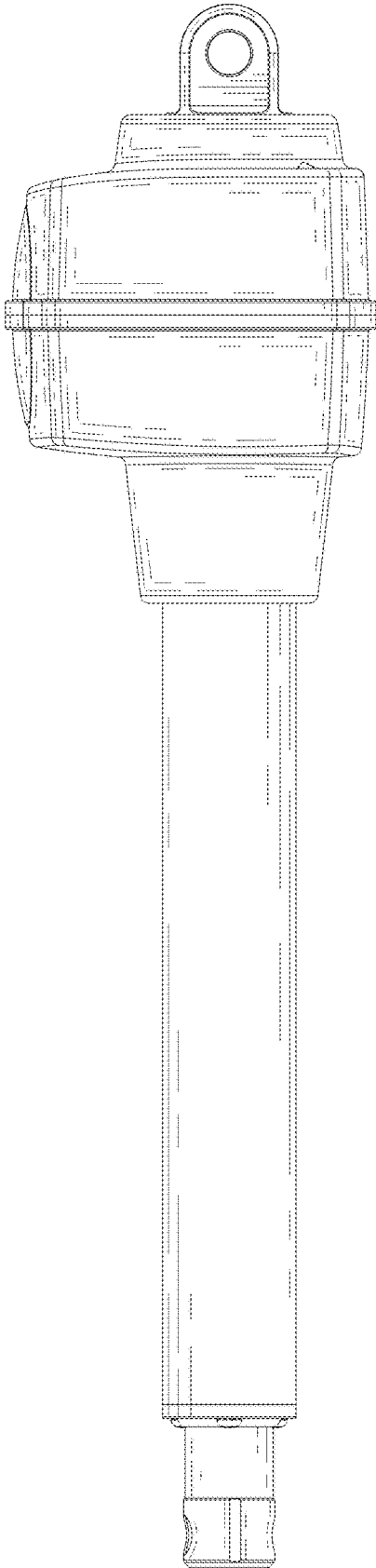


FIG.5

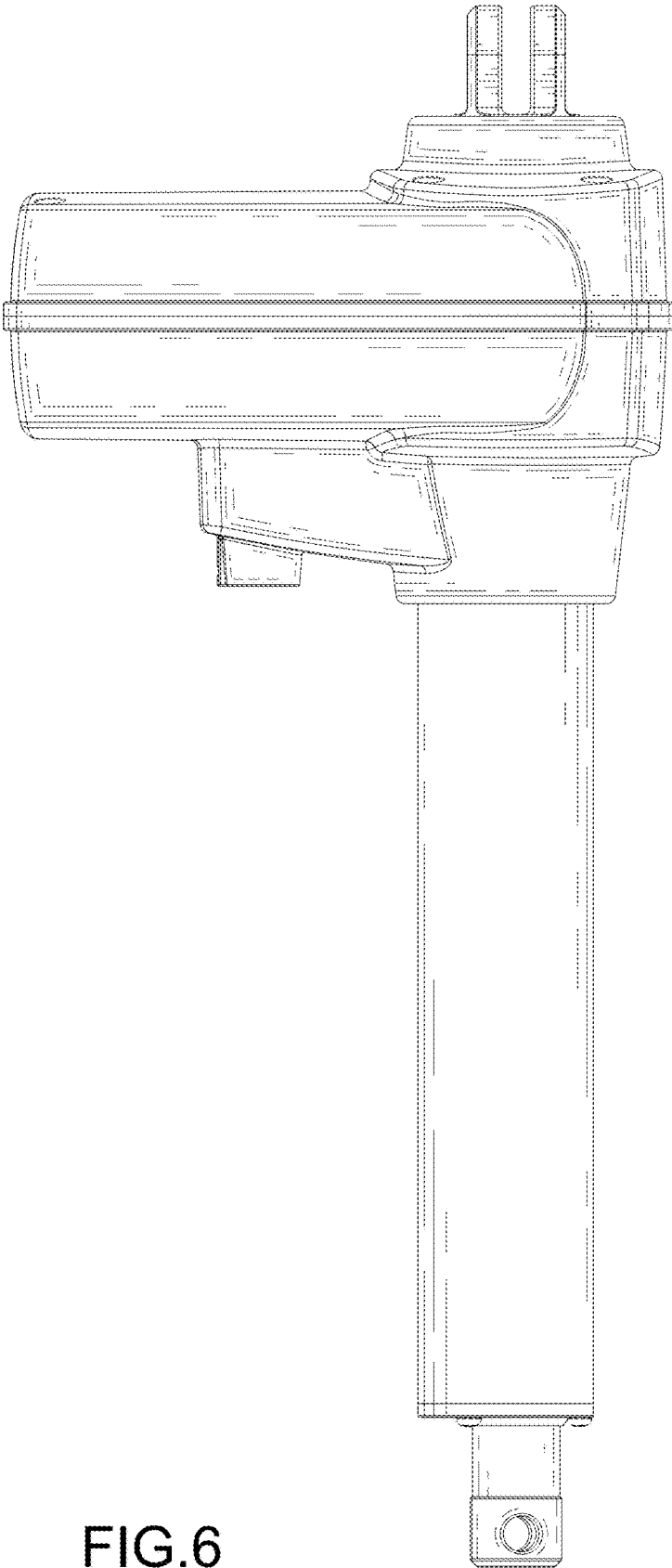


FIG.6

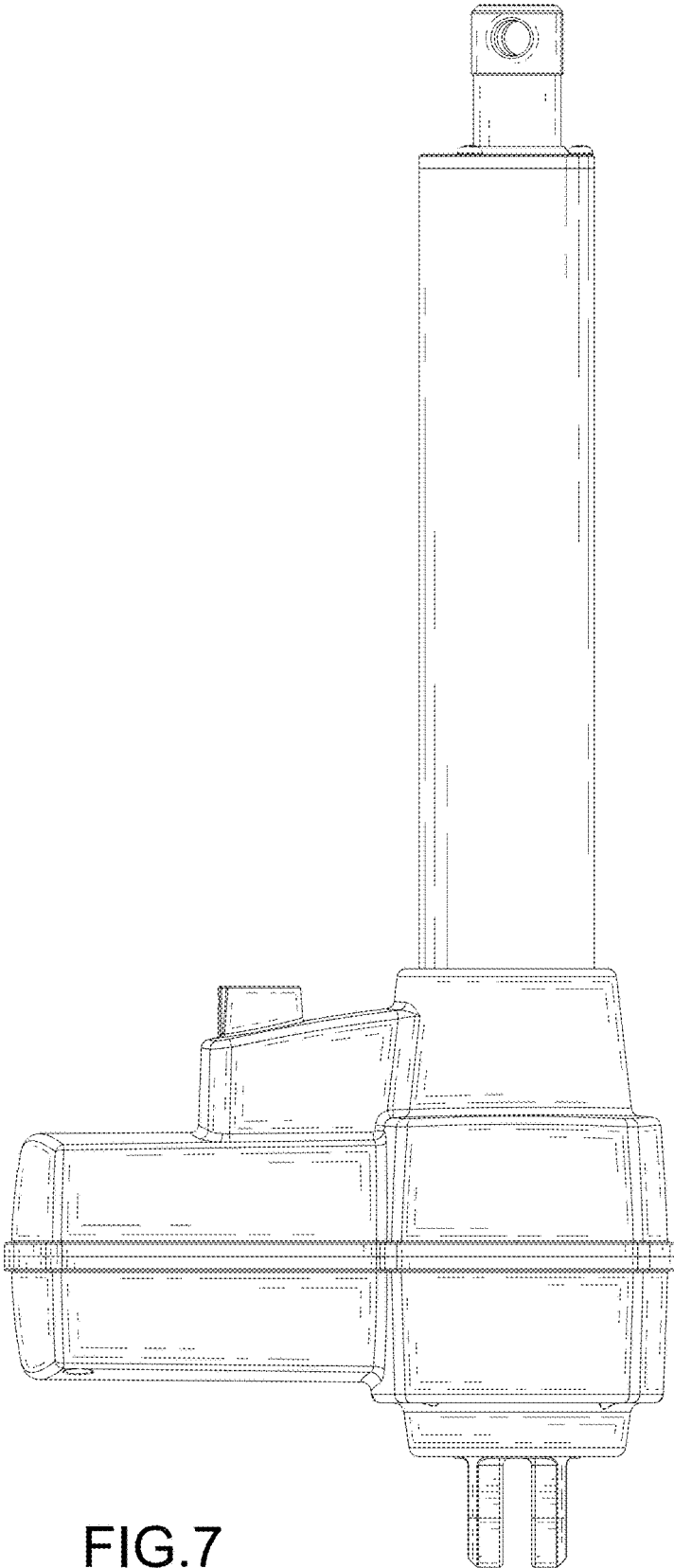


FIG.7

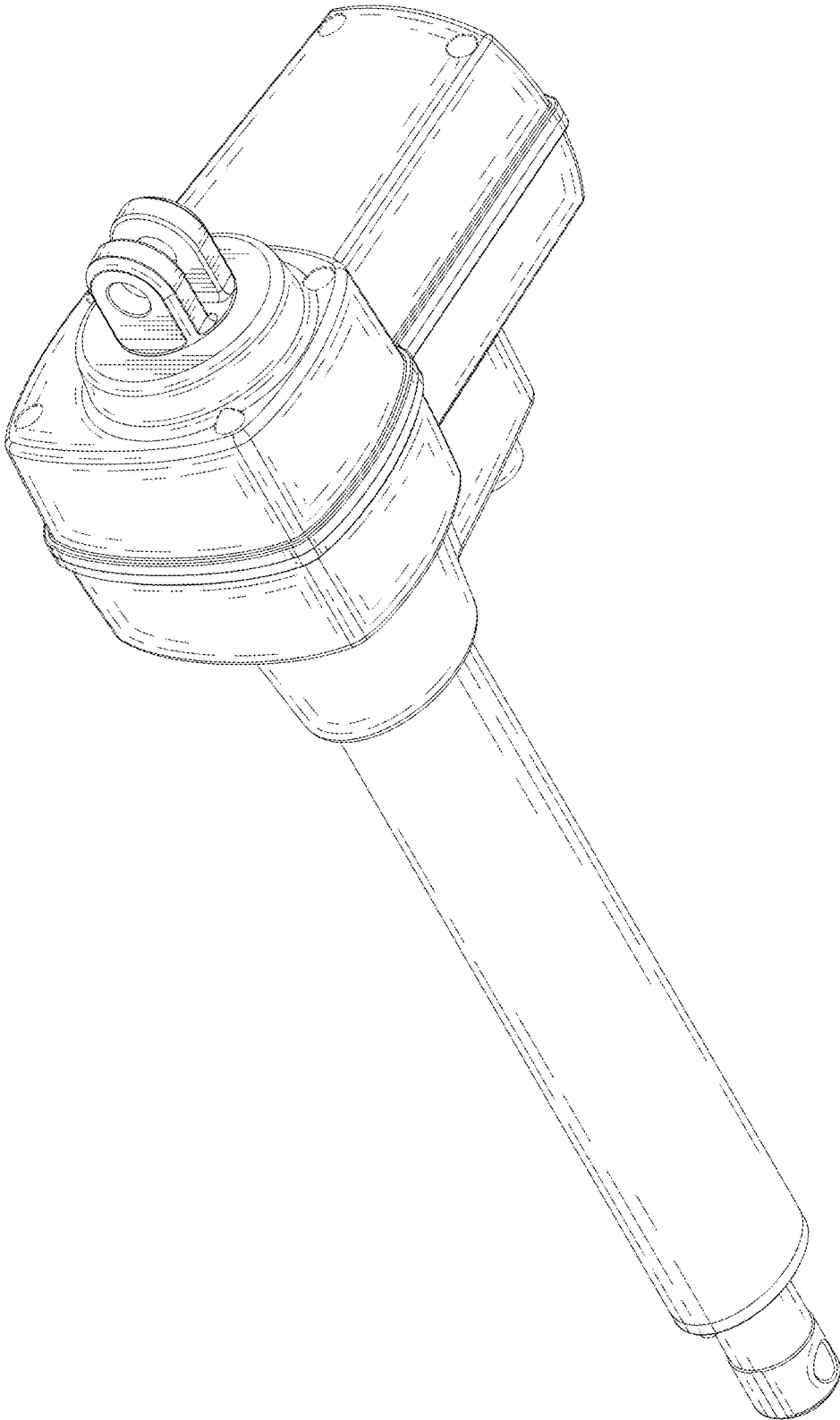


FIG.8