



US00D632004S

(12) **United States Design Patent**
Waldmann

(10) **Patent No.:** **US D632,004 S**

(45) **Date of Patent:** **** Feb. 1, 2011**

(54) **HANGING LAMP**

(75) Inventor: **Gerhard Waldmann**, Stein am Rhein (CH)

(73) Assignee: **Herbert Waldmann GmbH & Co. KG**, Villingen-Schwenningen (DE)

(**) Term: **14 Years**

(21) Appl. No.: **29/368,514**

(22) Filed: **Aug. 25, 2010**

(30) **Foreign Application Priority Data**

Feb. 26, 2010 (DE) 40 2010 001 074

(51) **LOC (9) Cl.** **26-03**

(52) **U.S. Cl.** **D26/88; D26/76**

(58) **Field of Classification Search** D26/74,
D26/75-78, 88-91; 362/147, 217.01, 217.04,
362/217.06, 217.07, 218, 294
See application file for complete search history.

(56) **References Cited**

U.S. PATENT DOCUMENTS

D121,590 S *	7/1940	Heath	D26/76
2,506,951 A *	5/1950	Doane	362/341
D468,474 S *	1/2003	Poulton	D26/90
D487,598 S *	3/2004	Schuetz et al.	D26/76
D503,821 S *	4/2005	Waldmann	D26/78
D511,852 S *	11/2005	Benensohn	D26/76
D512,173 S *	11/2005	Benensohn	D26/76
D512,792 S *	12/2005	Benensohn	D26/76
D564,694 S *	3/2008	Southern, Jr.	D26/85
D570,026 S *	5/2008	Waldmann	D26/76
D584,848 S *	1/2009	Menke	D26/88
D591,443 S *	4/2009	Beno et al.	D26/88

D595,890 S *	7/2009	Sabernig	D26/88
D602,626 S *	10/2009	Santoro et al.	D26/76

* cited by examiner

Primary Examiner—Clare E Heflin

(74) *Attorney, Agent, or Firm*—Lackenbach Siegel, LLP; Andrew F. Young

(57) **CLAIM**

The ornamental design for a hanging lamp, as shown and described.

DESCRIPTION

FIG. 1 is a perspective view of a first embodiment of the invention.

FIG. 2 is a right side elevation view of FIG. 1.

FIG. 3 is a front elevation view of FIG. 1.

FIG. 4 is a left side elevation view of FIG. 1.

FIG. 5 is a rear elevation view of FIG. 1.

FIG. 6 is a top plan view of FIG. 1

FIG. 7 is a bottom plan view of FIG. 1

FIG. 8 is a perspective view of a second embodiment of the invention.

FIG. 9 is a right side elevation view of FIG. 8.

FIG. 10 is a front elevation view of FIG. 8.

FIG. 11 is a left side elevation view of FIG. 8.

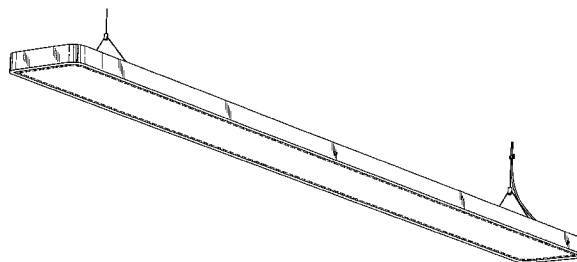
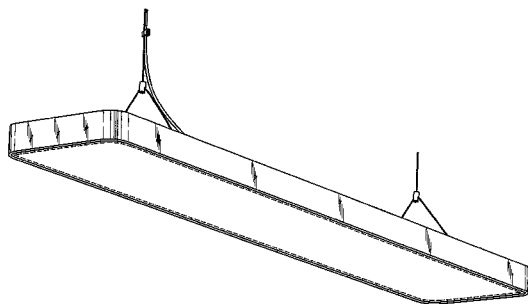
FIG. 12 is a rear elevation view of FIG. 8.

FIG. 13 is a top plan view of FIG. 8; and,

FIG. 14 is a bottom plan view of FIG. 8.

The dashed lines in FIGS. 1-14 are for illustrative purposes only and form no part of the claimed design.

1 Claim, 11 Drawing Sheets



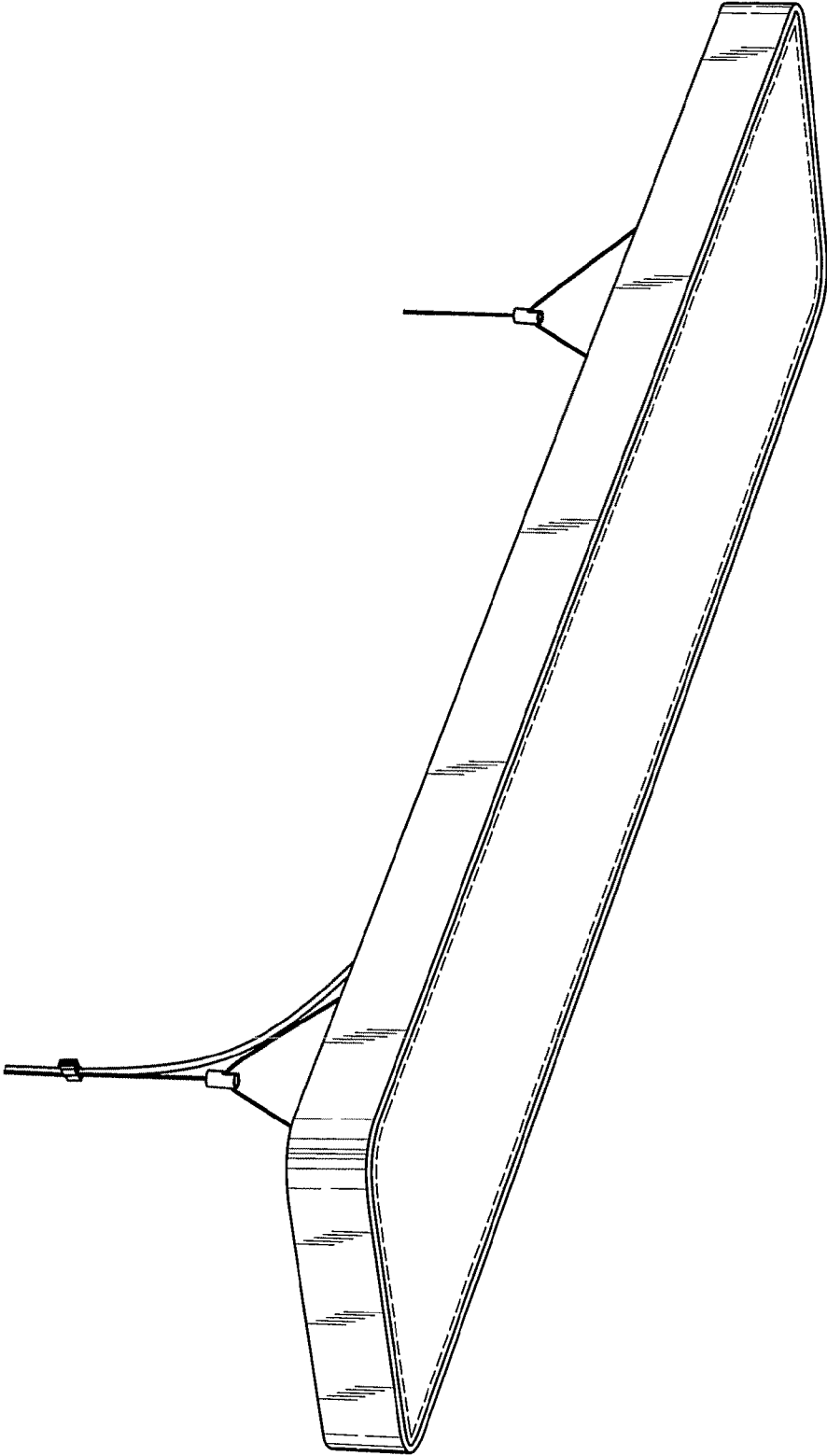


Fig. 1



Fig. 2

Fig. 3

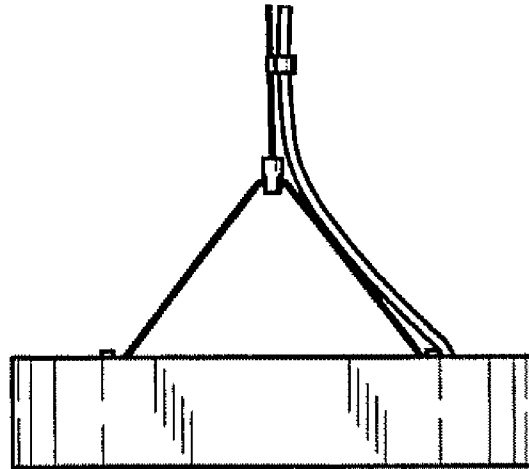




Fig. 4

Fig. 5

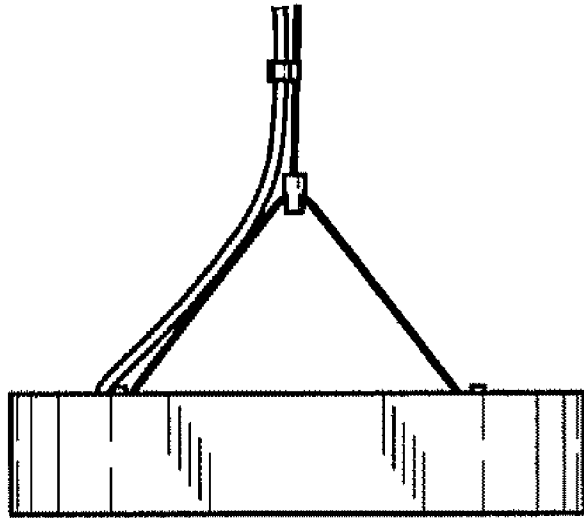


Fig. 6

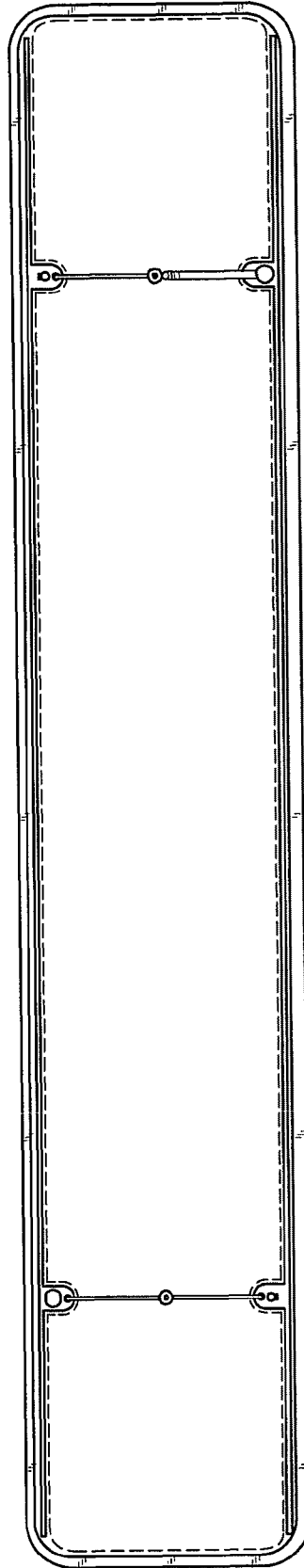
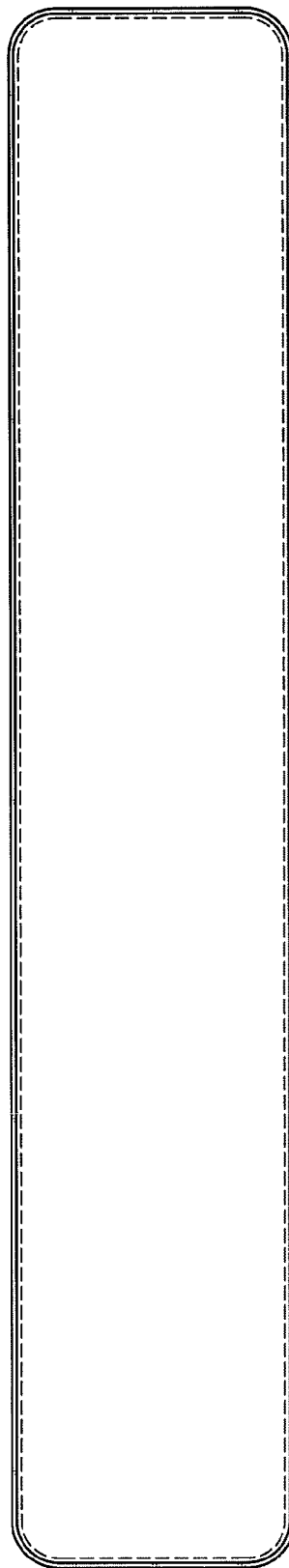


Fig. 7



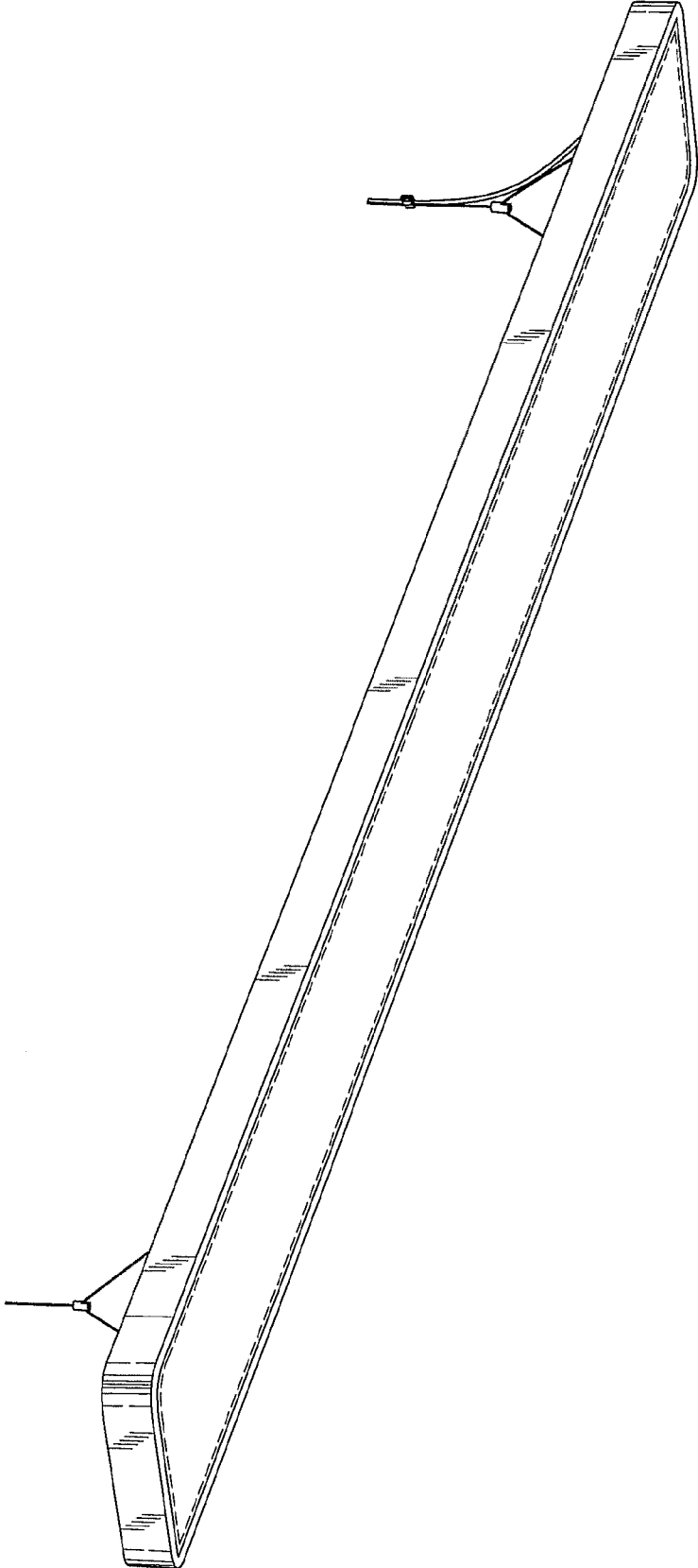


Fig. 8

Fig. 9

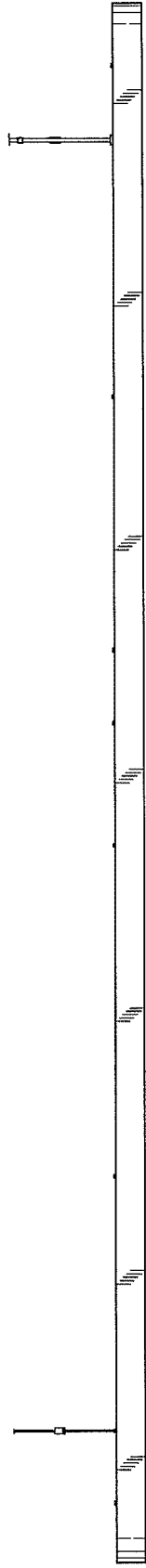


Fig. 10

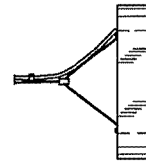
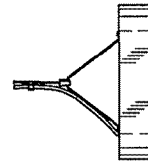


Fig. 11



Fig. 12



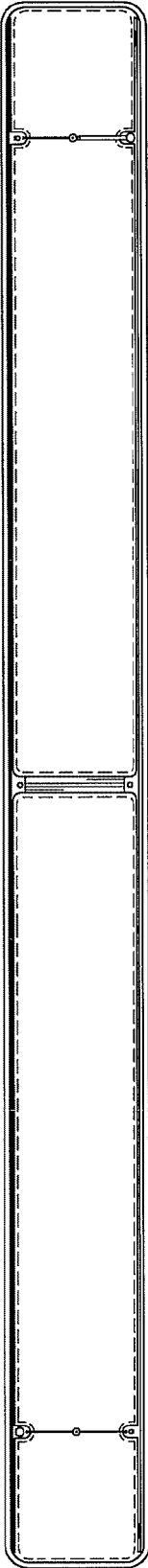


Fig. 13

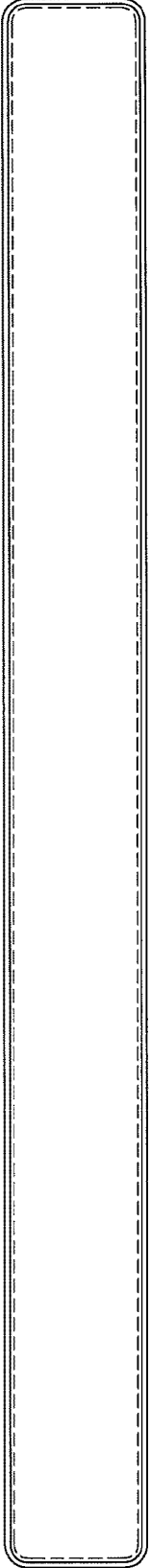


Fig. 14