



- (51) International Patent Classification:
F24J 2/38 (2006.01) *G01B 11/27* (2006.01)
F24J 2/54 (2006.01) *G01S 3/786* (2006.01)
- (21) International Application Number: PCT/US2016/021753
- (22) International Filing Date: 10 March 2016 (10.03.2016)
- (25) Filing Language: English
- (26) Publication Language: English
- (30) Priority Data: 62/130,986 10 March 2015 (10.03.2015) US
- (71) Applicant: KRISHNAN, Neel [US/US]; 48 Whipple Street, #1B, Brooklyn, NY 11206 (US).
- (72) Inventor; and
- (71) Applicant : TIBBOTT, Gina [US/US]; 1230 Montrose Street, Philadelphia, PA 19147 (US).
- (74) Agents: LIU, Wansheng, Jerry et al.; Fox Rothschild LLP, 997 Lenox Drive, Building 3, Lawrenceville, NJ 08648-2311 (US).
- (81) Designated States (*unless otherwise indicated, for every kind of national protection available*): AE, AG, AL, AM, AO, AT, AU, AZ, BA, BB, BG, BH, BN, BR, BW, BY, BZ, CA, CH, CL, CN, CO, CR, CU, CZ, DE, DK, DM, DO, DZ, EC, EE, EG, ES, FI, GB, GD, GE, GH, GM, GT, HN, HR, HU, ID, IL, IN, IR, IS, JP, KE, KG, KN, KP, KR, KZ, LA, LC, LK, LR, LS, LU, LY, MA, MD, ME, MG, MK, MN, MW, MX, MY, MZ, NA, NG, NI, NO, NZ, OM, PA, PE, PG, PH, PL, PT, QA, RO, RS, RU, RW, SA, SC, SD, SE, SG, SK, SL, SM, ST, SV, SY, TH, TJ, TM, TN, TR, TT, TZ, UA, UG, US, UZ, VC, VN, ZA, ZM, ZW.
- (84) Designated States (*unless otherwise indicated, for every kind of regional protection available*): ARIPO (BW, GH, GM, KE, LR, LS, MW, MZ, NA, RW, SD, SL, ST, SZ, TZ, UG, ZM, ZW), Eurasian (AM, AZ, BY, KG, KZ, RU, TJ, TM), European (AL, AT, BE, BG, CH, CY, CZ, DE, DK, EE, ES, FI, FR, GB, GR, HR, HU, IE, IS, IT, LT, LU,

[Continued on next page]

(54) Title: A SYSTEM AND METHOD FOR CONTINUOUSLY REORIENTING THE SURFACE OF A SOLAR COLLECTION DEVICE

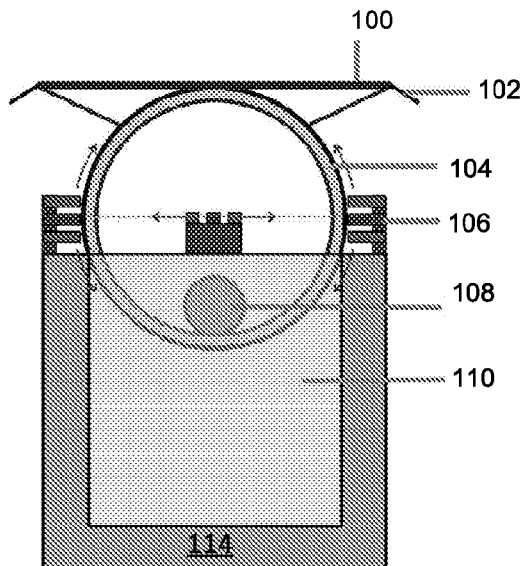


FIG. 1C

(57) Abstract: A solar tracking system is disclosed, the system comprising: a plurality of light sensors (102) arranged at an angular displacement to a light sensitive upper surface of a solar collecting device (100) fixed on a support structure, and a processor equipped with a software program for translating outputs of the light sensors (102) into activations of actuators (106) to move the light sensitive upper surface of the solar collecting device (100) in response to sun movements through moving the support structure.

LV, MC, MK, MT, NL, NO, PL, PT, RO, RS, SE, SI, SK, (88) **Date of publication of the international search report:**
SM, TR), OAPI (BF, BJ, CF, CG, CI, CM, GA, GN, GQ, 17 November 2016
GW, KM, ML, MR, NE, SN, TD, TG).

Published:

— *with international search report (Art. 21(3))*

INTERNATIONAL SEARCH REPORT

International application No PCT/US2016/021753

A. CLASSIFICATION OF SUBJECT MATTER INV. F24J2/38 F24J2/54 G01B11/27 G01S3/786 ADD.				
According to International Patent Classification (IPC) or to both national classification and IPC				
B. FIELDS SEARCHED				
Minimum documentation searched (classification system followed by classification symbols) F24J G01B G01S				
Documentation searched other than minimum documentation to the extent that such documents are included in the fields searched				
Electronic data base consulted during the international search (name of data base and, where practicable, search terms used) EPO-Internal, WPI Data				
C. DOCUMENTS CONSIDERED TO BE RELEVANT				
Category*	Citation of document, with indication, where appropriate, of the relevant passages	Relevant to claim No.		
X	US 4 317 031 A (FINDELL MAX) 23 February 1982 (1982-02-23) column 8, line 33 - column 9, line 53; claim 2; figures 4-9 -----	1-3, 6-11,50, 51		
X	US 4 287 411 A (BEUCCI MARCELLO) 1 September 1981 (1981-09-01) column 1, line 62 - column 2, line 27; figures column 5, line 17 - line 18 -----	1-7,9, 11,50,51		
X	JP S64 26211 A (AARUDE SYST KK) 27 January 1989 (1989-01-27) abstract; figures -----	1-6,9, 11,50,51		
----- -/--				
<input checked="" type="checkbox"/> Further documents are listed in the continuation of Box C. <input checked="" type="checkbox"/> See patent family annex.				
* Special categories of cited documents : <table style="width: 100%; border: none;"> <tr> <td style="width: 50%; border: none; vertical-align: top;"> "A" document defining the general state of the art which is not considered to be of particular relevance "E" earlier application or patent but published on or after the international filing date "L" document which may throw doubts on priority claim(s) or which is cited to establish the publication date of another citation or other special reason (as specified) "O" document referring to an oral disclosure, use, exhibition or other means "P" document published prior to the international filing date but later than the priority date claimed </td> <td style="width: 50%; border: none; vertical-align: top;"> "T" later document published after the international filing date or priority date and not in conflict with the application but cited to understand the principle or theory underlying the invention "X" document of particular relevance; the claimed invention cannot be considered novel or cannot be considered to involve an inventive step when the document is taken alone "Y" document of particular relevance; the claimed invention cannot be considered to involve an inventive step when the document is combined with one or more other such documents, such combination being obvious to a person skilled in the art "&" document member of the same patent family </td> </tr> </table>			"A" document defining the general state of the art which is not considered to be of particular relevance "E" earlier application or patent but published on or after the international filing date "L" document which may throw doubts on priority claim(s) or which is cited to establish the publication date of another citation or other special reason (as specified) "O" document referring to an oral disclosure, use, exhibition or other means "P" document published prior to the international filing date but later than the priority date claimed	"T" later document published after the international filing date or priority date and not in conflict with the application but cited to understand the principle or theory underlying the invention "X" document of particular relevance; the claimed invention cannot be considered novel or cannot be considered to involve an inventive step when the document is taken alone "Y" document of particular relevance; the claimed invention cannot be considered to involve an inventive step when the document is combined with one or more other such documents, such combination being obvious to a person skilled in the art "&" document member of the same patent family
"A" document defining the general state of the art which is not considered to be of particular relevance "E" earlier application or patent but published on or after the international filing date "L" document which may throw doubts on priority claim(s) or which is cited to establish the publication date of another citation or other special reason (as specified) "O" document referring to an oral disclosure, use, exhibition or other means "P" document published prior to the international filing date but later than the priority date claimed	"T" later document published after the international filing date or priority date and not in conflict with the application but cited to understand the principle or theory underlying the invention "X" document of particular relevance; the claimed invention cannot be considered novel or cannot be considered to involve an inventive step when the document is taken alone "Y" document of particular relevance; the claimed invention cannot be considered to involve an inventive step when the document is combined with one or more other such documents, such combination being obvious to a person skilled in the art "&" document member of the same patent family			
Date of the actual completion of the international search	Date of mailing of the international search report			
20 June 2016	01/09/2016			
Name and mailing address of the ISA/ European Patent Office, P.B. 5818 Patentlaan 2 NL - 2280 HV Rijswijk Tel. (+31-70) 340-2040, Fax: (+31-70) 340-3016	Authorized officer Mootz, Frank			

INTERNATIONAL SEARCH REPORT

International application No
PCT/US2016/021753

C(Continuation). DOCUMENTS CONSIDERED TO BE RELEVANT

Category*	Citation of document, with indication, where appropriate, of the relevant passages	Relevant to claim No.
X	JP S59 36818 A (TOKYO SHIBAURA ELECTRIC CO) 29 February 1984 (1984-02-29) abstract; figures -----	1-6,11, 50,51
X	US 4 419 981 A (MORI KEI [JP]) 13 December 1983 (1983-12-13) column 3, line 5 - line 14; figures 1,3 -----	1-5,9, 11,50,51
X	GB 1 578 996 A (BENLLOCH LLORACH A) 12 November 1980 (1980-11-12) page 2, line 40 - line 63; figures 2,3 -----	1-5,7,9, 11,50,51

INTERNATIONAL SEARCH REPORT

International application No.
PCT/US2016/021753

Box No. II Observations where certain claims were found unsearchable (Continuation of item 2 of first sheet)

This international search report has not been established in respect of certain claims under Article 17(2)(a) for the following reasons:

1. Claims Nos.:
because they relate to subject matter not required to be searched by this Authority, namely:

2. Claims Nos.:
because they relate to parts of the international application that do not comply with the prescribed requirements to such an extent that no meaningful international search can be carried out, specifically:

3. Claims Nos.:
because they are dependent claims and are not drafted in accordance with the second and third sentences of Rule 6.4(a).

Box No. III Observations where unity of invention is lacking (Continuation of item 3 of first sheet)

This International Searching Authority found multiple inventions in this international application, as follows:

see additional sheet

1. As all required additional search fees were timely paid by the applicant, this international search report covers all searchable claims.
2. As all searchable claims could be searched without effort justifying an additional fees, this Authority did not invite payment of additional fees.
3. As only some of the required additional search fees were timely paid by the applicant, this international search report covers only those claims for which fees were paid, specifically claims Nos.:
4. No required additional search fees were timely paid by the applicant. Consequently, this international search report is restricted to the invention first mentioned in the claims; it is covered by claims Nos.:

1-11, 50, 51

Remark on Protest

- The additional search fees were accompanied by the applicant's protest and, where applicable, the payment of a protest fee.
- The additional search fees were accompanied by the applicant's protest but the applicable protest fee was not paid within the time limit specified in the invitation.
- No protest accompanied the payment of additional search fees.

FURTHER INFORMATION CONTINUED FROM PCT/ISA/ 210

This International Searching Authority found multiple (groups of) inventions in this international application, as follows:

1. claims: 1-11, 50, 51

Solar tracking system with inclined light sensors

2. claims: 12-49

Solar tracking system with ball shaped casing

INTERNATIONAL SEARCH REPORT

Information on patent family members

International application No PCT/US2016/021753

Patent document cited in search report	Publication date	Patent family member(s)	Publication date
US 4317031	A	23-02-1982	NONE
US 4287411	A	01-09-1981	AU 4844779 A 06-03-1980
			BR 7905152 A 10-02-1981
			DE 2925222 A1 13-03-1980
			ES 482020 A1 16-02-1980
			FR 2435078 A1 28-03-1980
			GB 2030413 A 02-04-1980
			IT 1103059 B 14-10-1985
			JP S5537694 A 15-03-1980
			US 4287411 A 01-09-1981
			ZA 7903142 B 25-06-1980
JP S6426211	A	27-01-1989	NONE
JP S5936818	A	29-02-1984	NONE
US 4419981	A	13-12-1983	AU 533871 B2 15-12-1983
			AU 8545082 A 06-01-1983
			DE 3261538 D1 24-01-1985
			EP 0069891 A1 19-01-1983
			HK 21687 A 20-03-1987
			JP S585704 A 13-01-1983
			MY 8700356 A 31-12-1987
			NZ 201045 A 09-11-1984
			US 4419981 A 13-12-1983
GB 1578996	A	12-11-1980	DE 2755785 A1 29-06-1978
			FR 2375557 A1 21-07-1978
			GB 1578996 A 12-11-1980
			IL 53565 A 30-07-1982