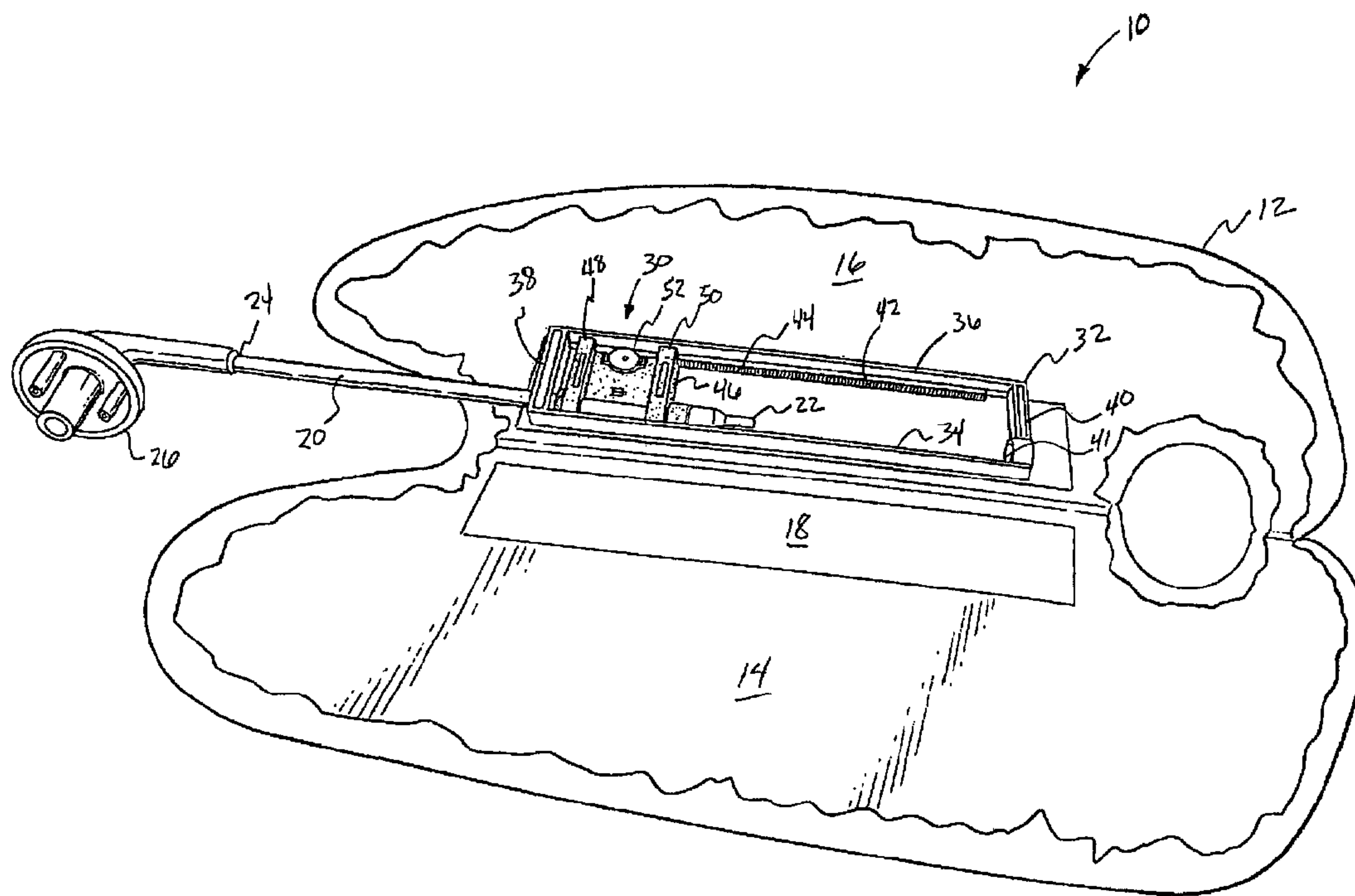




(86) Date de dépôt PCT/PCT Filing Date: 2002/07/25
 (87) Date publication PCT/PCT Publication Date: 2003/02/06
 (85) Entrée phase nationale/National Entry: 2004/01/26
 (86) N° demande PCT/PCT Application No.: US 2002/023587
 (87) N° publication PCT/PCT Publication No.: 2003/010020
 (30) Priorité/Priority: 2001/07/25 (60/307,813) US

(51) Cl.Int.⁷/Int.Cl.⁷ B60J 3/00
 (71) Demandeur/Applicant:
 INTIER AUTOMOTIVE INC., CA
 (72) Inventeurs/Inventors:
 DAVEY, GEOFFREY WILLIAM, US;
 BRANDL, TERRY LYNN, US;
 HERBST, STEVEN BRADLEY, US;
 RILEY, JON THEODORE, US;
 PICKEN, ALAN DEAN, US
 (74) Agent: IMAI, JEFFREY T.

(54) Titre : PARE-SOLEIL COULISSANT
 (54) Title: SLIDING SUN VISOR



(57) **Abrégé/Abstract:**

A sun visor assembly for an automotive vehicle includes a sun visor panel having generally planar opposing sides sandwiched together to define a pocket therebetween. A longitudinally extending support rod is positioned between the opposing sides of the panel for supporting the panel in the interior of the vehicle. An adjustment mechanism is coupled between the support rod and the sun visor panel for providing selective sliding movement of the sun visor panel along the support rod between a retracted position and an extended position. The adjustment mechanism includes a support frame secured to the visor panel having an upper rail forming a longitudinal rack, a guide carriage secured to the support rod and slideably coupled to the support frame, and a gear rotatable supported by the carriage and meshed with the rack for guiding the sun visor panel along the support rod between the retracted and extended positions.

(12) INTERNATIONAL APPLICATION PUBLISHED UNDER THE PATENT COOPERATION TREATY (PCT)

(19) World Intellectual Property Organization
International Bureau(43) International Publication Date
6 February 2003 (06.02.2003)

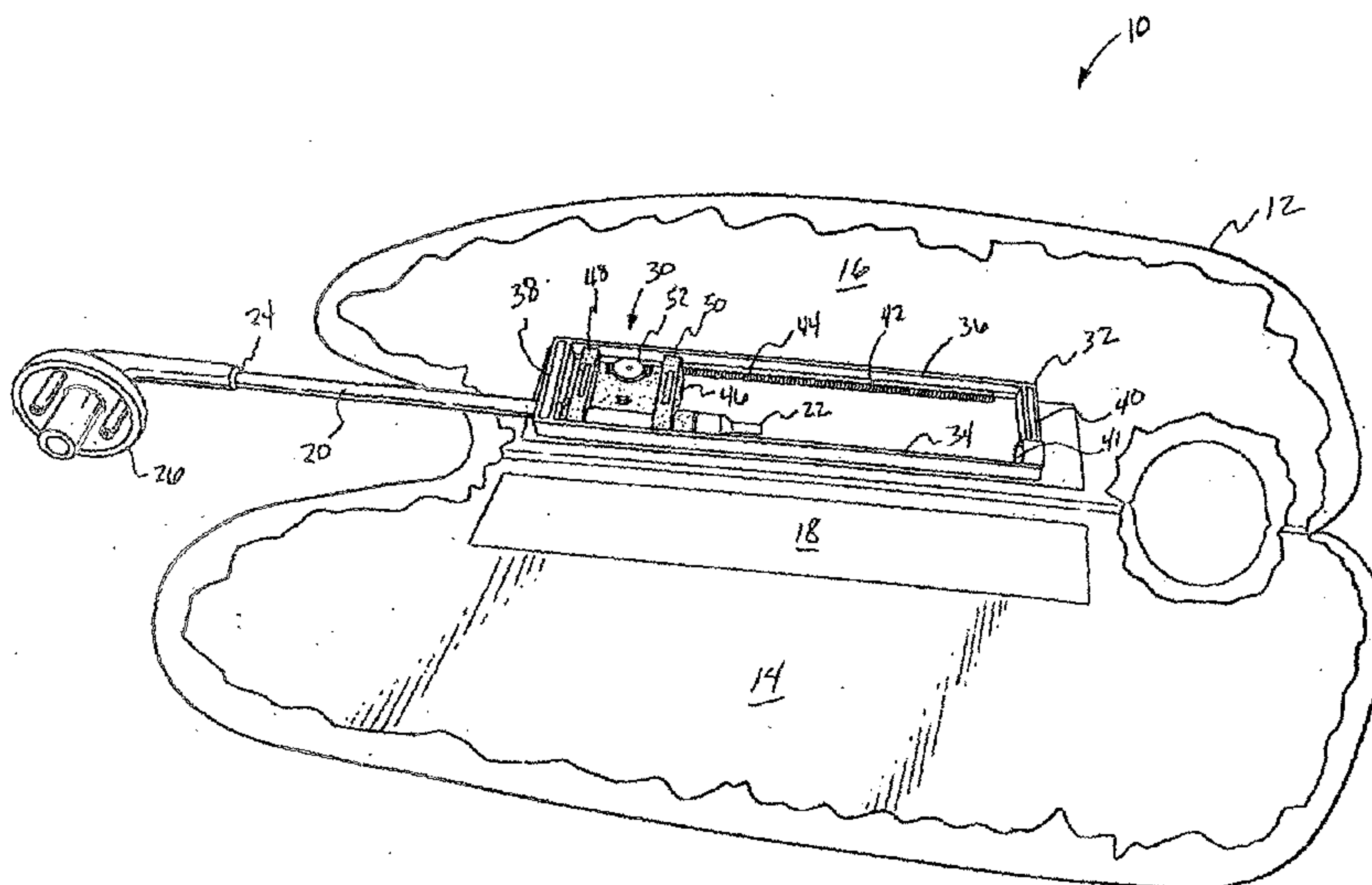
PCT

(10) International Publication Number
WO 03/010020 A3

- (51) International Patent Classification⁷: **B60J 3/00**
- (21) International Application Number: PCT/US02/23587
- (22) International Filing Date: 25 July 2002 (25.07.2002)
- (25) Filing Language: English
- (26) Publication Language: English
- (30) Priority Data:
60/307,813 25 July 2001 (25.07.2001) US
- (71) Applicant (for all designated States except US): **INTIER AUTOMOTIVE, INC.** [CA/CA]; 337 Magna Drive, Aurora, Ontario L4G 7K1 (CA).
- (72) Inventors; and
- (75) Inventors/Applicants (for US only): **DAVEY, Geoffrey, William** [US/US]; 13340 Wales, Huntington Woods, MI 48070 (US). **BRANDL, Terry, Lynn** [US/US]; 7094 Arnold, Marine City, MI 48039 (US). **HERBST, Steven, Bradley** [US/US]; 18057 Crystal River Drive, Macomb, MI 48042 (US). **RILEY, Jon, Theodore** [US/US]; 9082 Stonehaus Court, Clarkston, 48342 (US). **PICKEN, Alan, Dean** [US/US]; 2150 Hickory Ridge Trail, Milford, MI 48380 (US).
- (74) Agents: **ASHER, Robin, W.**, et al.; Clark Hill PLC, Suite 3500, 500 Woodward Avenue, Detroit, MI 48226-3435 (US).
- (81) Designated States (*national*): AE, AG, AL, AM, AT, AU, AZ, BA, BB, BG, BR, BY, BZ, CA, CH, CN, CO, CR, CU, CZ, DE, DK, DM, DZ, EC, EE, ES, FI, GB, GD, GE, GH, GM, HR, HU, ID, IL, IN, IS, JP, KE, KG, KP, KR, KZ, LC, LK, LR, LS, LT, LU, LV, MA, MD, MG, MK, MN, MW, MX, MZ, NO, NZ, OM, PH, PL, PT, RO, RU, SD, SE, SG, SI, SK, SL, TJ, TM, TN, TR, TT, TZ, UA, UG, US, UZ, VN, YU, ZA, ZM, ZW.
- (84) Designated States (*regional*): ARIPO patent (GH, GM, KE, LS, MW, MZ, SD, SL, SZ, TZ, UG, ZM, ZW), Eurasian patent (AM, AZ, BY, KG, KZ, MD, RU, TJ, TM), European patent (AT, BE, BG, CH, CY, CZ, DE, DK, EE, ES, FI, FR, GB, GR, IE, IT, LU, MC, NL, PT, SE, SK, TR), OAPI patent (BF, BJ, CF, CG, CI, CM, GA, GN, GQ, GW, ML, MR, NE, SN, TD, TG).
- Published:**
— with international search report
- (88) Date of publication of the international search report:
16 October 2003

[Continued on next page]

(54) Title: SLIDING SUN VISOR



(57) **Abstract:** A sun visor assembly for an automotive vehicle includes a sun visor panel having generally planar opposing sides sandwiched together to define a pocket therebetween. A longitudinally extending support rod is positioned between the opposing sides of the panel for supporting the panel in the interior of the vehicle. An adjustment mechanism is coupled between the support rod and the sun visor panel for providing selective sliding movement of the sun visor panel for providing selective sliding movement of the sun visor panel along the support rod between a retracted position and an extended position. The adjustment mechanism includes a support frame secured to the visor panel having an upper rail forming a longitudinal rack, a guide carriage secured to the support rod and slideably coupled to the support frame, and a gear rotatable supported by the carriage and meshed with the rack for guiding the sun visor panel along the support rod between the retracted and extended positions.



WO 03/010020 A3

WO 03/010020 A3



For two-letter codes and other abbreviations, refer to the "Guidance Notes on Codes and Abbreviations" appearing at the beginning of each regular issue of the PCT Gazette.

SLIDING SUN VISOR

BACKGROUND OF THE INVENTION

1. Field of the Invention

5 This invention relates to sun visor for an automotive vehicle which is selectively slidable between a retracted position and an extended position.

2. Background of the Invention

Automotive vehicles typically include sun visor assemblies mounted to the
10 headliner of the interior compartment of the vehicle. Common sun visor assemblies comprise a visor panel supported by an elongated support rod and pivotally connected to the headliner by a bezzel. The bezzel allows the sun visor assembly to pivot generally 90 degrees to provide sun blockage from either the front or side window of the vehicle. The sun visor panel is also commonly rotatably coupled to the support rod to fold the panel
15 against the headliner when not in use and unfold the panel adjacent the window in use to block sun and glare into the vehicle.

However, the longitudinal length of the sun visor panel is often insufficient to cover the longitudinal width of the window to provide adequate sun blockage.

20 SUMMARY OF THE INVENTION

Therefore, it is desirable to provide an extendable sun visor wherein the sun visor panel is slidable along the support rod between a normal retracted position and an extended position for covering a larger portion of the window.

According to one aspect of the invention, there is provided a sun visor assembly
25 adapted to be mounted to the interior of an automotive vehicle comprising a sun visor panel having generally planar opposing sides sandwiched together to define a pocket therebetween. A longitudinally extending support rod is positioned between the opposing sides of the panel for supporting the panel in the interior of the vehicle. An adjustment mechanism is coupled between the support rod and the sun visor panel for providing
30 selective sliding movement of the sun visor panel along the support rod between a retracted position and an extended position. The adjustment mechanism includes a longitudinal rack

supported by either the sun visor panel or support rod and a gear rotatably supported by the other of the sun visor panel or support rod and meshed with the rack for guiding the sun visor panel along the support rod between the retracted and extended positions.

5 **BRIEF DESCRIPTION OF THE DRAWINGS**

Other advantages of the present invention will be readily appreciated as the same becomes better understood by reference to the following detailed description when considered in connection with the accompanying drawings wherein:

Figure 1 is a perspective view of the sun visor assembly in the retracted position
10 showing an adjustment mechanism positioned between opposing sides of the sun visor panel;

Figure 2 is a perspective view of the sun visor assembly in the extending position;

Figure 3 is an enlarged view of the adjustment mechanism for sliding the sun visor assembly between the retracted and extended positions; and

15 Figure 4 is a plan view of the adjustment mechanism.

DETAILED DESCRIPTION OF THE PREFERRED EMBODIMENT

Referring to Figures 1 and 2, a sun visor assembly for an automotive vehicle is generally shown at 10. The sun visor assembly 10 includes a sun visor panel, or blade, 12
20 comprising opposing sides or halves 14, 16 which are sandwiched together to form a pocket, or cavity, therebetween. Each side 14, 16 of the panel 12 typically comprises a molded urethane substrate wrapped in a trim cover of cloth, vinyl, leather or other material.

The sun visor assembly 10 further includes a generally tubular support rod 20 extending longitudinally between a first end 22 and second end 24. The support rod 20 is
25 positioned between the opposing sides 14, 16 of the visor panel 12 for supporting the sun visor assembly 10. A bezzel 26 is pivotally coupled to the second end 24 of the support rod 20 for attaching the sun visor assembly 10 to a headliner in the interior compartment of the vehicle. The bezzel 26 allows the sun visor assembly 10 to pivot for use between the front windshield and the side windows of the vehicle as is commonly known to one skilled in the
30 art.

Referring to Figures 3 and 4, an adjustment mechanism 30 is coupled between the

support rod 20 and the sun visor panel 12 for providing selective sliding movement of the sun visor panel 12 along the support rod 20 between a retracted position, as shown in Figure 1, and an extended position, as shown in Figure 2. The adjustment mechanism 30 includes a generally rectangular support frame 32 seated in the pocket 18 between the
5 opposing sides 14, 16 of the sun visor panel 12. The support frame 32 includes spaced apart and generally parallel upper and lower rails 34, 36 interconnected by ends 38, 40. The ends 38, 40 each include an aperture 41 therethrough for slidably receiving the support rod 20 along the longitudinal length of the lower rail 34.

The adjustment mechanism 30 also includes a longitudinal rack 42 extending from
10 the lower rail 36 having a plurality of equally spaced apart teeth 44. A guide carriage 46 is fixedly secured to the support rod 20 adjacent the first end 22 and slidably coupled to the upper rail 36 of the support frame 32 for guiding the support frame 32, and thus the sun visor panel 12, along the longitudinal length of the support rod 20. More specifically, the guide carriage 46 includes spaced apart legs 48, 50 which straddle the upper rail 36 such
15 that the upper rail 36 provides a track for guiding the legs 48, 50 and carriage 46 there along.

A pinion gear 52 is rotatably supported by the guide carriage 46 and meshed with the teeth 44 on the rack 42 for moving the sun visor panel 12 along the support rod 20 between the retracted and extended positions. The pinion gear 52 is biased against the
20 rack 42 by a damper 54 coupled between the gear 52 and carriage 46 for dampening vibration between the rack 42 and gear 52. More specifically, referring to Figure 4, the carriage 46 includes a center guide plate 56 slidably mounted between the opposing legs 48, 50 in a direction opposite the longitudinal length of the rack 42. The guide plate 56 is generally U-shaped with each side slidably supported within a channel formed in the side
25 of each leg 48, 50. The pinion gear 52 is rotatably connected to the center guide plate 56 adjacent the rack 42. A retainer plate 58 is fixedly secured to the support rod 20 adjacent the center guide plate 56. The damper 52 includes a pair of coil springs 60, 62 compressed between the guide plate 56 and the retainer plate 58 for biasing the guide plate 56 along the opposing legs 48, 50 toward the rack 42. The damper 52, therefore, allows the guide
30 plate 56 to "float" between the rack 42 and the support rod 20 while maintain meshed engagement between the pinion gear 52 and the rack 42.

In operation, to slide the visor panel 12 between the retracted and extended positions, a pulling or pushing force is applied to the panel 12 longitudinally along the length of the support rod 20. The guide carriage 46 allows the panel 12 to slide along the support rod 20 with the gear 52 being forced to rotate along the rack 42 and travel along the upper rail 36 between the opposing ends 38, 40. The damper 52 provides smooth and constant effort, as well as reduces vibration and noise, during the selective sliding adjustment of the sun visor 10 between the extended and retracted positions.

The above-described embodiment of the invention is intended to be an example of the present invention and alterations and modifications may be effected thereto, by those of skill in the art, without departing from the scope of the invention.

What is claimed is:

1. A sun visor assembly adapted to be mounted to the interior of an automotive vehicle comprising:

5 a sun visor panel having generally planar opposing sides sandwiched together to define a pocket therebetween;

a longitudinally extending support rod positioned between said opposing sides of said panel for supporting said panel in the interior of the vehicle; and

10 an adjustment mechanism coupled between said support rod and said sun visor panel for providing selective sliding movement of said sun visor panel along said support rod between a retracted position and an extended position, said adjustment mechanism including a longitudinal rack supported by one of said sun visor panel and said support rod and a gear rotatably supported by the other of said sun visor panel and said support rod and meshed with said rack for guiding said sun visor panel along said support rod between said retracted and extended positions.

15

2. A sun visor assembly as set forth in claim 1 wherein said adjustment mechanism includes a support frame including spaced apart upper and lower rails connected by opposing ends, said support frame fixedly secured in said pocket between said opposing sides of said panel.

20

3. A sun visor assembly as set forth in claim 2 wherein said longitudinal rack includes a plurality of teeth formed in one of said upper and lower rails for engaging with said gear.

25

4. A sun visor assembly as set forth in claim 3 wherein said adjustment mechanism includes a guide carriage fixedly secured to said support rod and slidably coupled to said support frame for guiding said support frame along the longitudinal length of said support rod between said retracted and extended positions.

30

5. A sun visor assembly as set forth in claim 4 wherein said guide carriage includes a pair of spaced apart and generally parallel legs having a first end fixed to said support rod

and a second end slidably coupled to one of said upper and lower rails of said support frame.

6. A sun visor assembly as set forth in claim 5 wherein said guide carriage includes
5 a center guide plate slidably coupled between said legs and rotatably supporting said gear for engagement with said teeth of said rack.

7. A sun visor assembly as set forth in claim 6 wherein said adjustment mechanism
10 includes a damper coupled between said gear and said guide carriage for biasing said gear against said rack.

8. A sun visor assembly as set forth in claim 7 wherein said support rod includes
opposing first and second ends with said guide carriage mounted therebetween.

15 9. A sun visor assembly as set forth in claim 8 wherein said legs of said support rack each include an aperture therethrough for receiving said first end of said support rod to slidably mount said support frame to said support rod.

20 10. A sun visor assembly as set forth in claim 10 wherein said rack is formed in said lower rail and said guide carriage extended between said upper and lower rails for movement between said ends of said support frame defining said extended and retracted positions.

25 11. A sun visor assembly as set forth in claim 10 wherein said damper includes at least one coil spring compressed between said support rod and said center guide plate for sliding said guide plate toward said lower rail and biasing said gear into meshed engagement with said teeth of said rack.

30 12. A sun visor assembly as set forth in claim 11 further including a bezzel fixedly secured to said second end of said support rod adapted to fixedly secure said sun visor assembly to a headliner of the vehicle.

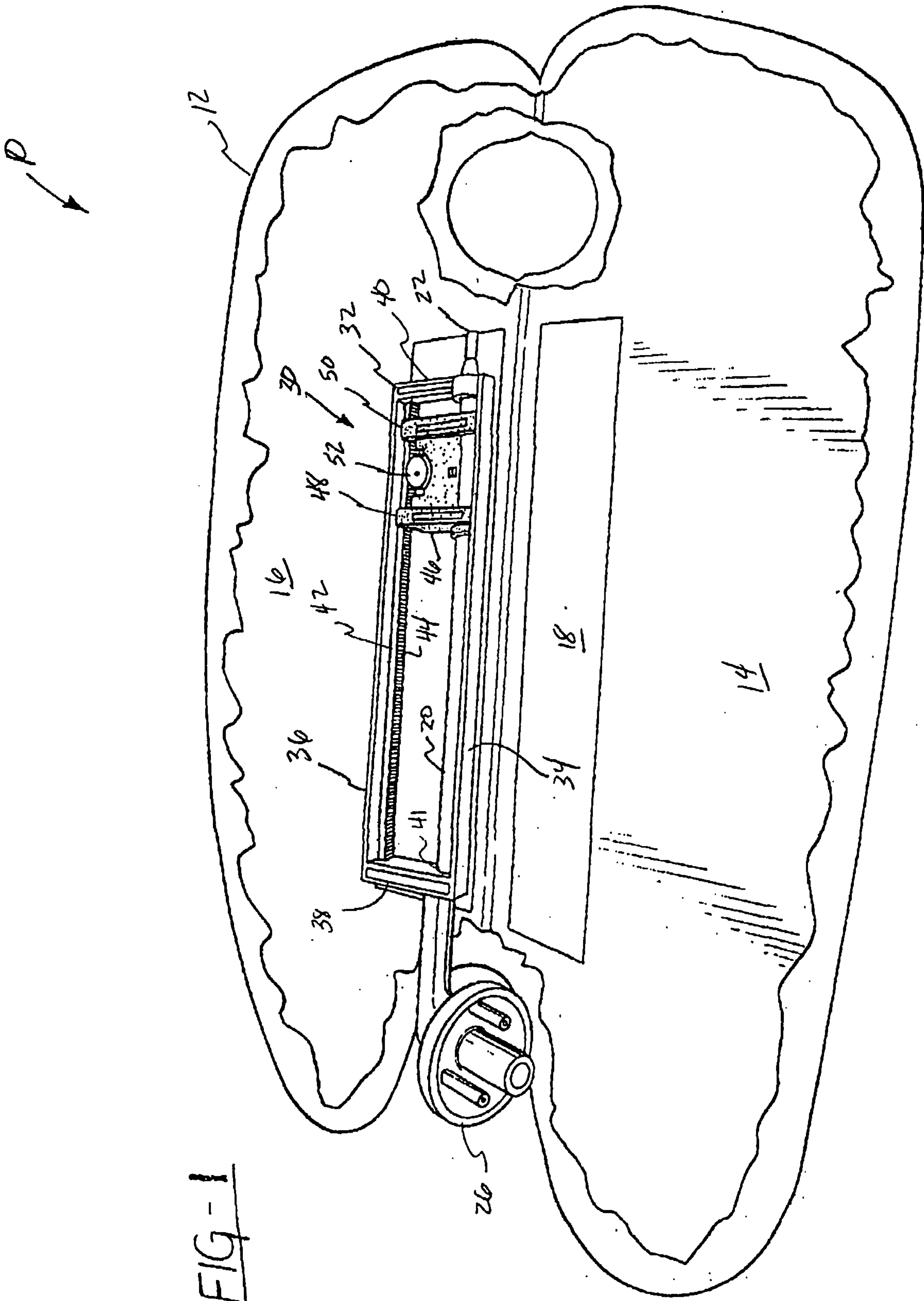


FIG-1

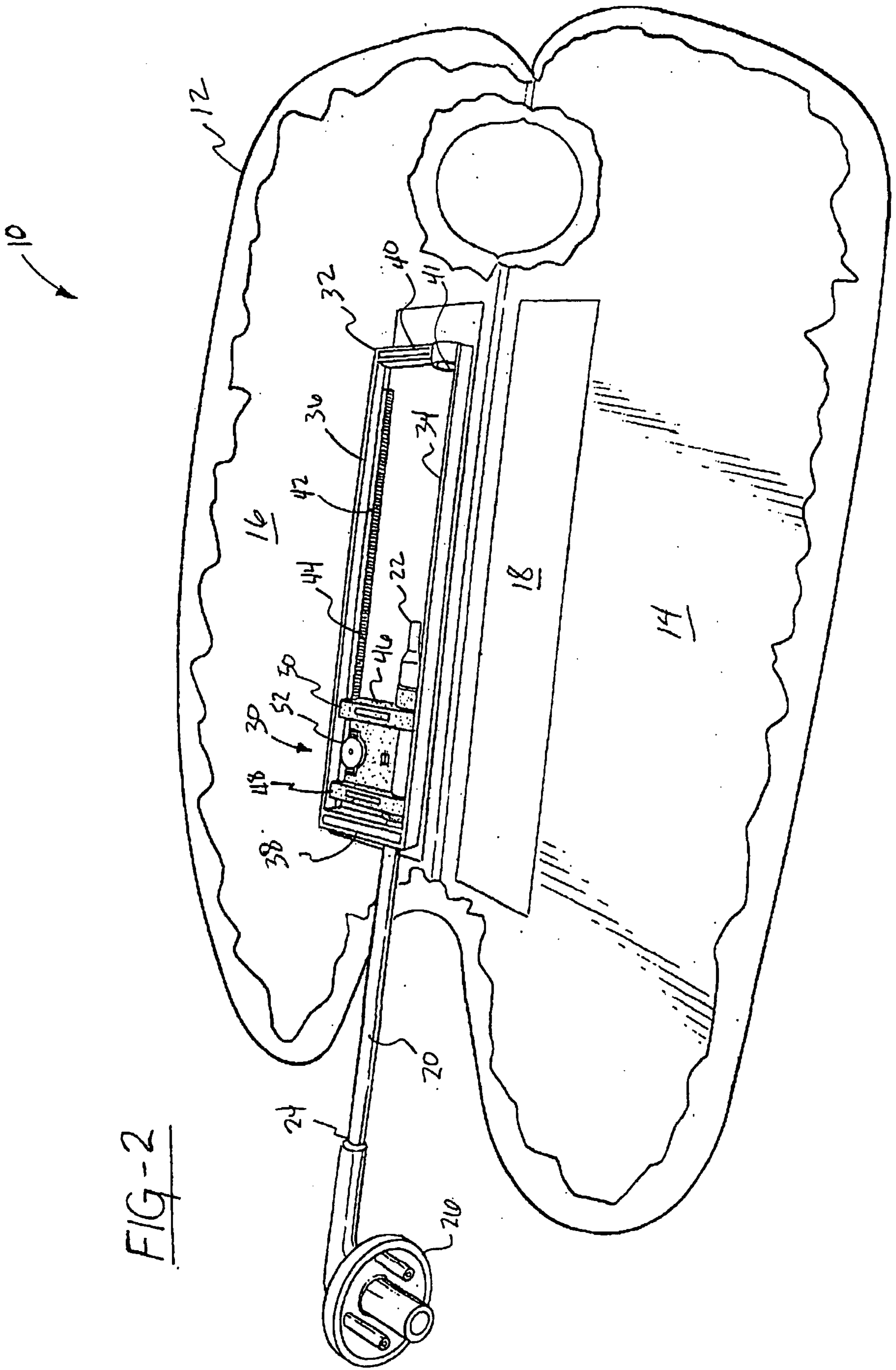


FIG-2

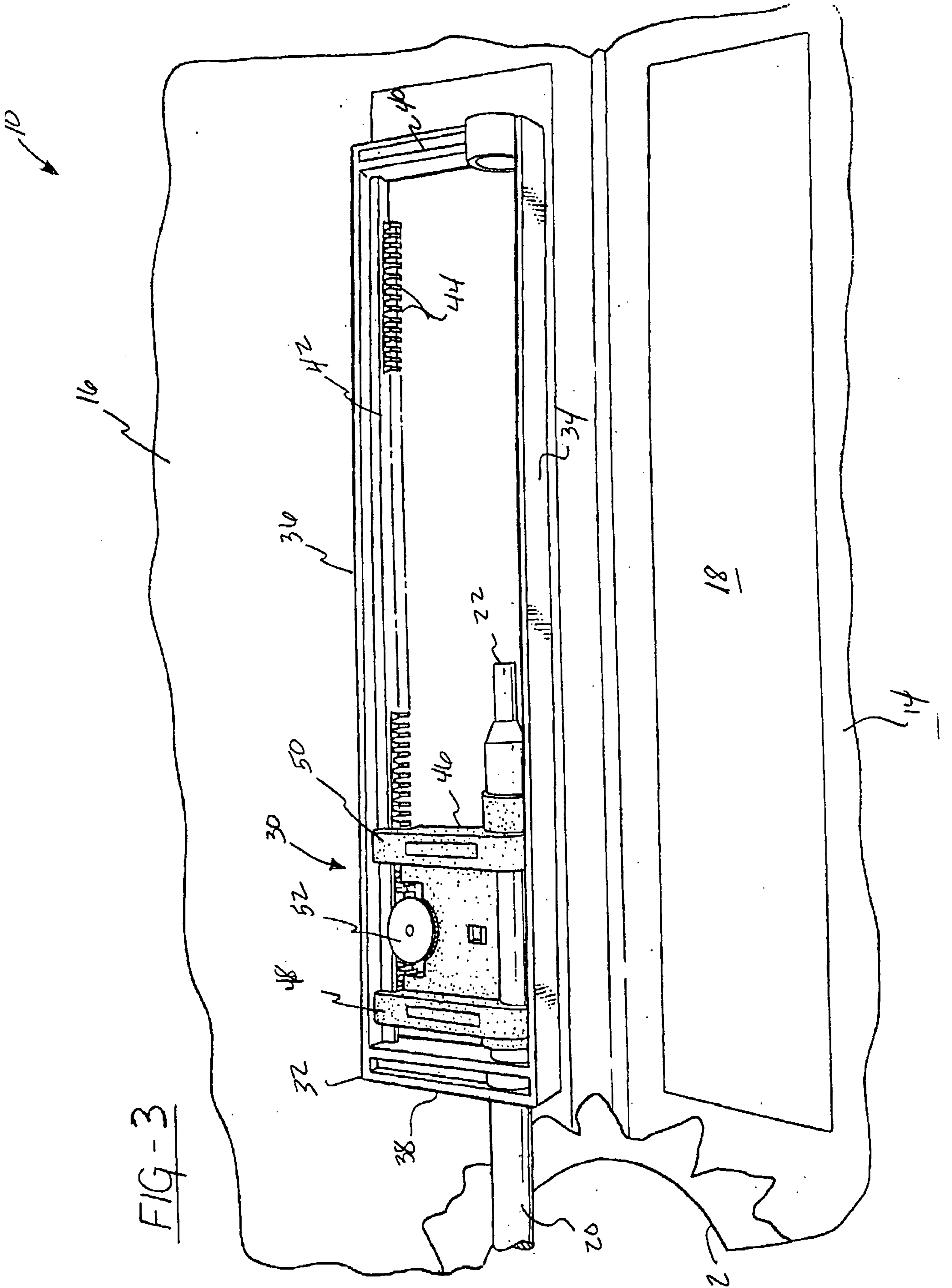


FIG-3

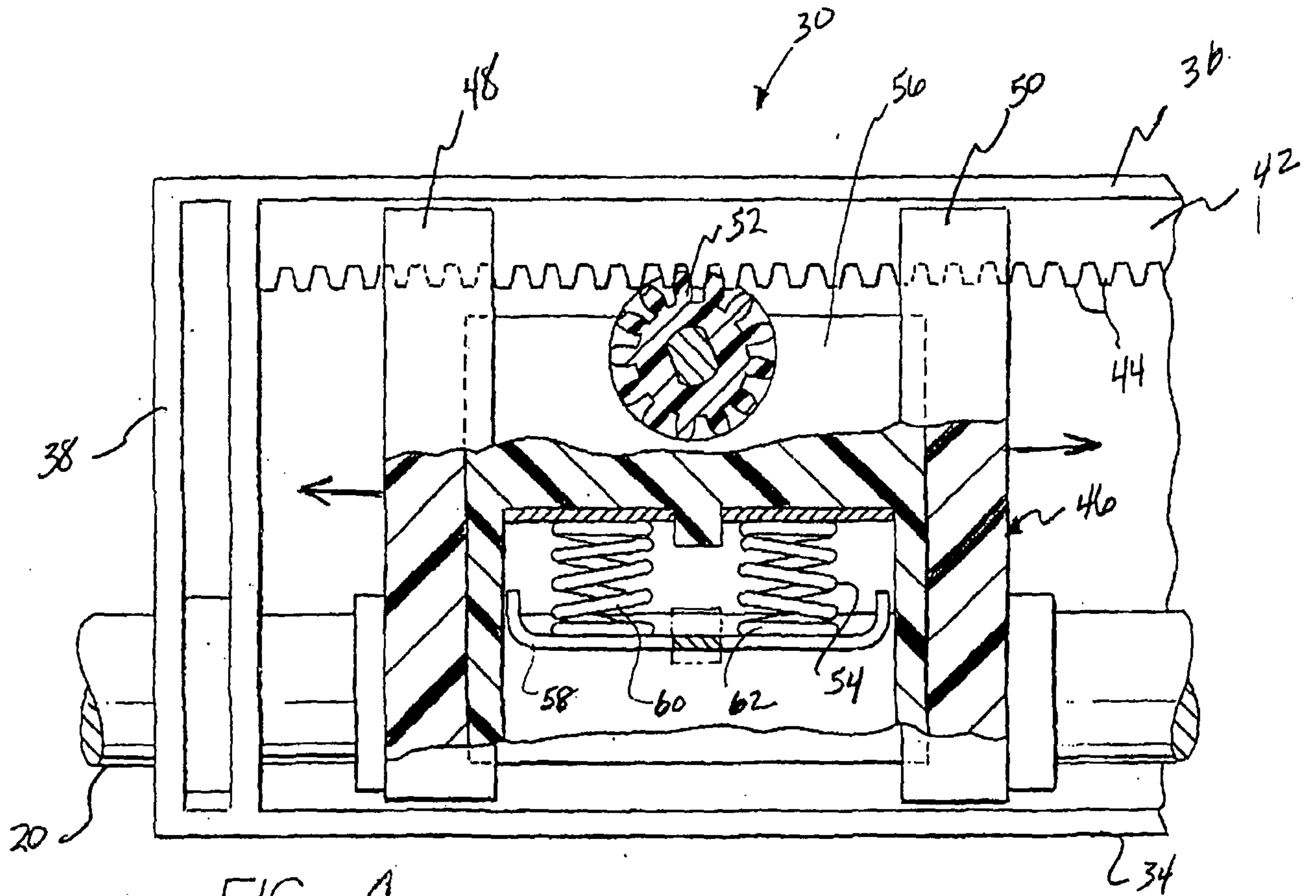


FIG-4

