



US00D917336S

(12) **United States Design Patent** (10) **Patent No.:** **US D917,336 S**
Brown et al. (45) **Date of Patent:** **** Apr. 27, 2021**

- (54) **ICE GEM**
- (71) Applicant: **Haier US Appliance Solutions, Inc.,**
Wilmington, DE (US)
- (72) Inventors: **Justin Tyler Brown,** Louisville, KY
(US); **Brent Alden Junge,** Evansville,
IN (US)
- (73) Assignee: **Haier US Appliance Solutions, Inc.,**
Wilmington, DE (US)
- (**) Term: **15 Years**
- (21) Appl. No.: **29/681,641**
- (22) Filed: **Feb. 27, 2019**
- (51) **LOC (13) Cl.** **11-01**
- (52) **U.S. Cl.**
USPC **D11/90; D1/199; D15/90**
- (58) **Field of Classification Search**
USPC **D7/300, 368, 603, 605, 669; D1/100,**
D1/101, 127, 199; D15/79-91; D11/89,
D11/90
CPC **F25C 2400/10; F25C 5/005; F25C 1/10;**
F25C 2305/022; F25C 2600/04; F25C
2700/14; F25C 5/06; F25C 5/182; F25C
1/08; F25C 1/24; F25C 2400/14; F25C
2500/02
See application file for complete search history.

D511,987 S *	11/2005	Swarovski	D11/90
D552,633 S *	10/2007	Volkan	D11/157
D577,395 S *	9/2008	Pietramala	D21/622
D595,607 S *	7/2009	Schneider	D11/90
D649,738 S *	12/2011	Hollmann	D1/106
D650,121 S *	12/2011	Volkan	D26/125
D667,751 S *	9/2012	Dunn	D11/184
D715,180 S *	10/2014	Krochmal	D11/90
D722,522 S *	2/2015	Hasenfeld	D11/90
D738,253 S *	9/2015	Parikh	D11/90
D753,016 S *	4/2016	Yep	D11/92
D778,503 S *	2/2017	Teller	D28/85
D785,494 S *	5/2017	Shimansky	D11/90
D824,797 S *	8/2018	Nivron	D11/90
D880,542 S *	4/2020	Burns	D15/90
D884,547 S *	5/2020	Sadamatsu	D11/90
D884,548 S *	5/2020	Kwiat	D11/90

(Continued)

OTHER PUBLICATIONS

First Build, Forge Clear Ice System, (site visited Jan. 25, 2021),
FirstBuild.com, p. 4 or 17, URL:<<https://firstbuild.com/products/forge/>> (Year: 2021).*

(Continued)

Primary Examiner — Sheryl Lane
Assistant Examiner — Mark T. Philipps
(74) *Attorney, Agent, or Firm* — Dority & Manning, P.A.

(57) **CLAIM**

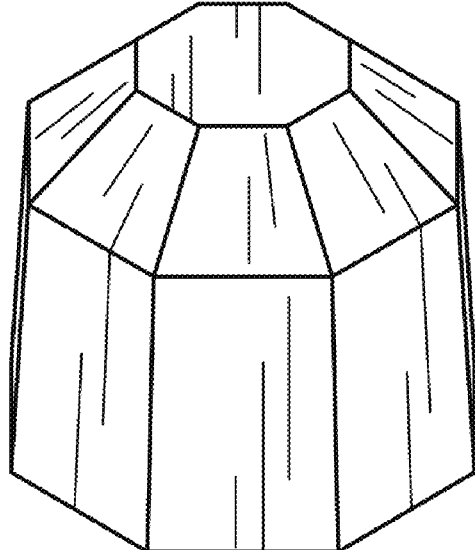
The ornamental design for an ice gem, as shown and described.

DESCRIPTION

FIG. 1 is a perspective view of an ice gem showing our new design;
FIGS. 2 and 3 are opposing side views thereof;
FIG. 4 is a top view thereof; and,
FIG. 5 is a bottom view thereof.

1 Claim, 2 Drawing Sheets

- (56) **References Cited**
U.S. PATENT DOCUMENTS
D225,844 S * 1/1973 Lazet D24/100
D252,184 S * 6/1979 Akamatsu D11/88
D365,516 S * 12/1995 Williamson D9/651
D370,642 S * 6/1996 Stafford D11/90
D409,944 S * 5/1999 Reisigl D11/90
D460,714 S * 7/2002 Steinberg D11/91
D494,086 S * 8/2004 Lax D11/90
D494,497 S * 8/2004 Lax D11/90



(56)

References Cited

U.S. PATENT DOCUMENTS

D898,609 S * 10/2020 Wu D11/90

OTHER PUBLICATIONS

Forge Clear Ice System, Forge Clear Ice System, (uploaded Apr. 26, 2019), Facebook.com, URL:<<https://www.facebook.com/forgeclearice/photos/a.2384920751791938/2414845998799413/?type=3&theater>> (Year: 2019).*

X-Haibei, Diamond Ice Gem Share Maker Mold Silicone, (First available Jan. 12, 2020), Amazon.com, URL:<<https://www.amazon.in/X-Haibei-Diamond-Silicone-Whiskey-Coffee/dp/B07JJSTT28>> (Year: 2020).*

* cited by examiner

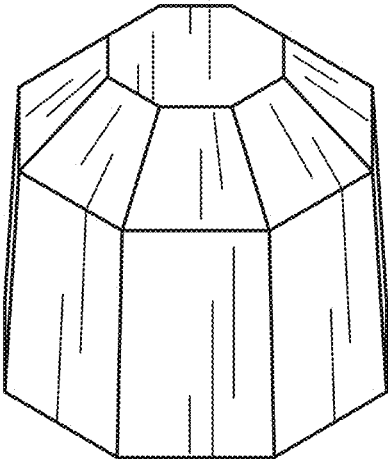


FIG. 1

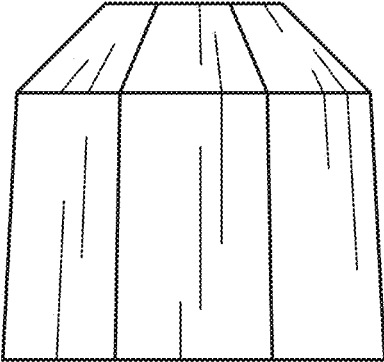


FIG. 2

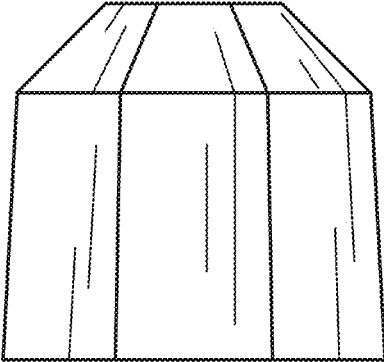


FIG. 3

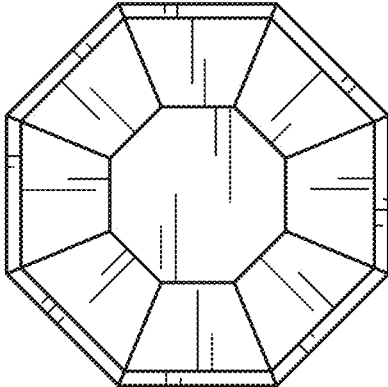


FIG. 4

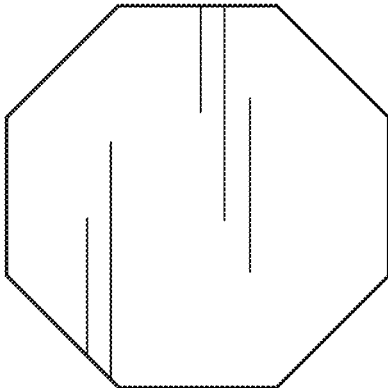


FIG. 5