



US00D581235S

(12) **United States Design Patent**
Aglassinger

(10) **Patent No.:** **US D581,235 S**

(45) **Date of Patent:** **** Nov. 25, 2008**

(54) **CORDLESS ROTARY HAMMER**

(75) Inventor: **Hans-Peter Aglassinger**, Esslingen (DE)

(73) Assignee: **Robert Bosch GmbH**, Stuttgart (DE)

(**) Term: **14 Years**

(21) Appl. No.: **29/319,862**

(22) Filed: **Jun. 17, 2008**

(51) **LOC (8) Cl.** **08-05**

(52) **U.S. Cl.** **D8/69**

(58) **Field of Classification Search** D8/14.1,
D8/61, 62, 63, 64, 65, 66, 67, 68, 69, 70;
81/57.11, 429, 454, 455, 456, 469, 489; 173/13,
173/104, 114, 168, 169, 170, 171, 178, 201,
173/211, 213, 217; 408/20, 124, 125, 234,
408/241 R; 451/358; 310/50; 227/8, 113,
227/114, 120, 130, 136, 142

See application file for complete search history.

(56) **References Cited**

U.S. PATENT DOCUMENTS

D333,767 S *	3/1993	Sasaki et al.	D8/69
D396,789 S *	8/1998	Murray	D8/68
6,543,549 B1 *	4/2003	Riedl et al.	310/50
D502,376 S *	3/2005	Andriolo	D8/68
D503,079 S *	3/2005	Aglassinger	D8/69

D508,388 S *	8/2005	Aglassinger	D8/69
7,111,364 B2 *	9/2006	Bader et al.	173/170
D531,874 S *	11/2006	Wu	D8/68
D540,643 S *	4/2007	Waldron	D8/69
2002/0100347 A1 *	8/2002	Daubinger et al.	81/469
2003/0183049 A1 *	10/2003	Bader et al.	81/489
2006/0243469 A1 *	11/2006	Webster	173/217
2008/0169111 A1 *	7/2008	Duesselberg et al.	173/217

* cited by examiner

Primary Examiner—T. Chase Nelson

(74) *Attorney, Agent, or Firm*—Victor A. Henzi

(57) **CLAIM**

The ornamental design for the cordless rotary hammer, as shown and described.

DESCRIPTION

FIG. 1 is a front, right, and top perspective view of the cordless rotary hammer;

FIG. 2 is a left elevational view thereof;

FIG. 3 is a bottom plan view thereof;

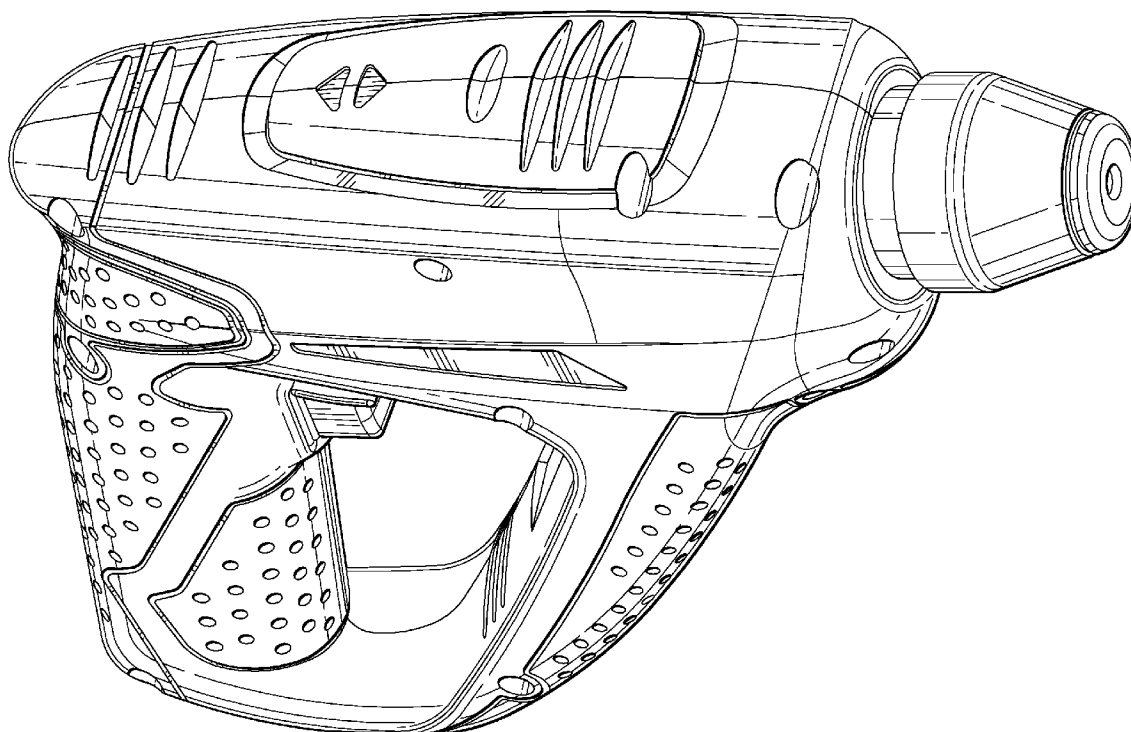
FIG. 4 is a right elevational view thereof;

FIG. 5 is a top plan view thereof;

FIG. 6 is a front elevational view thereof; and,

FIG. 7 is a rear elevational view thereof.

1 Claim, 6 Drawing Sheets



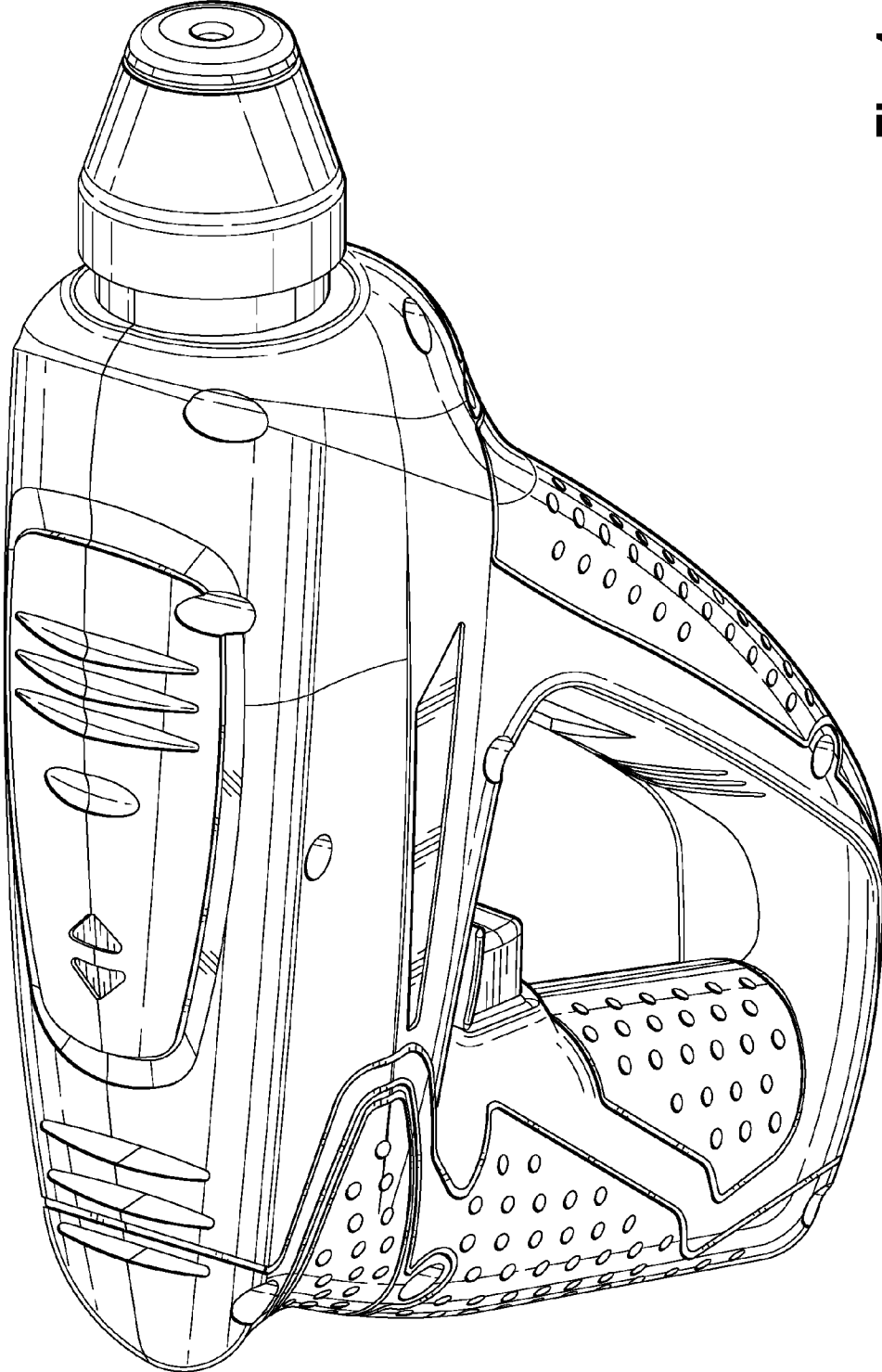


Fig. 1

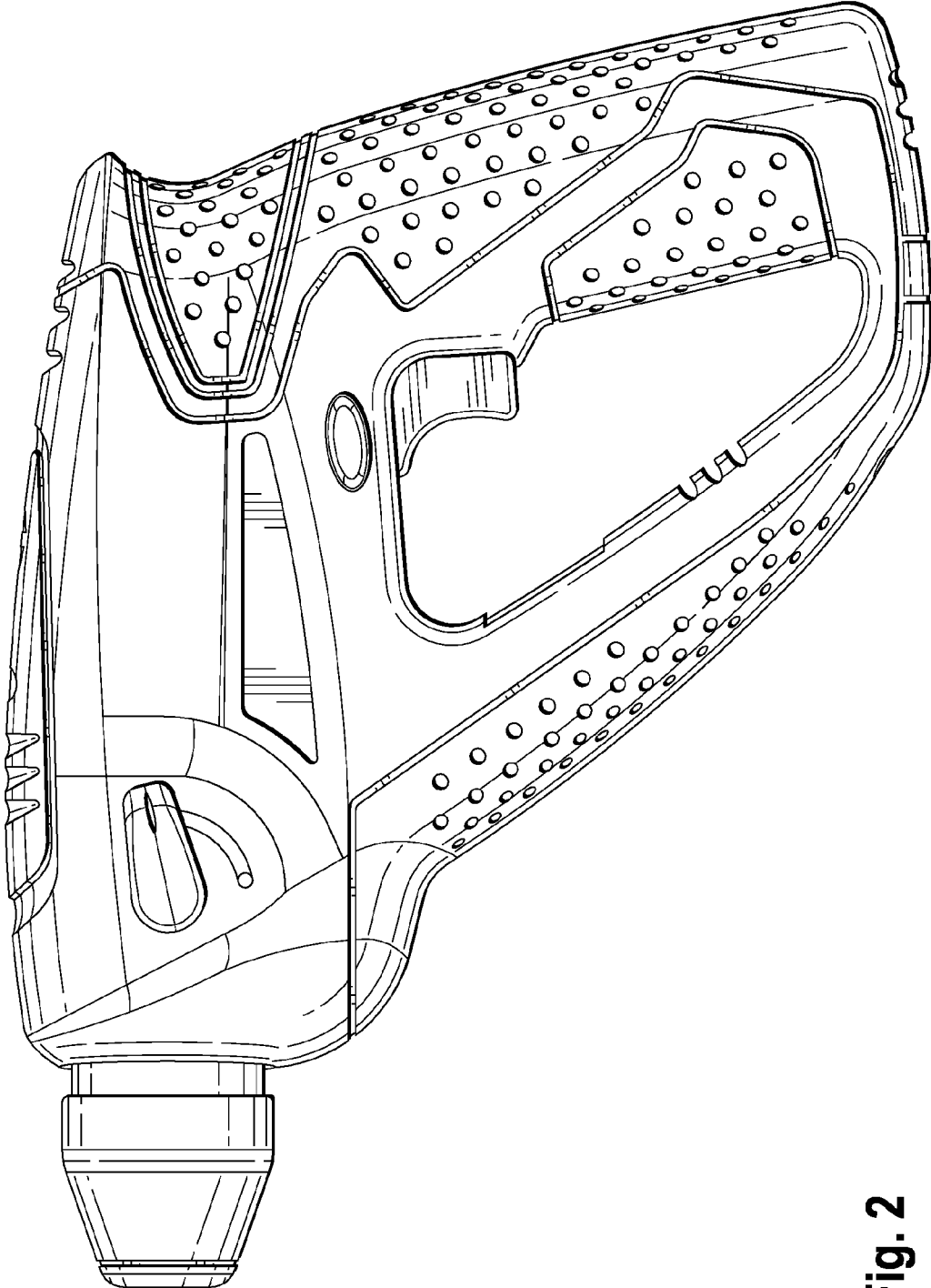


Fig. 2

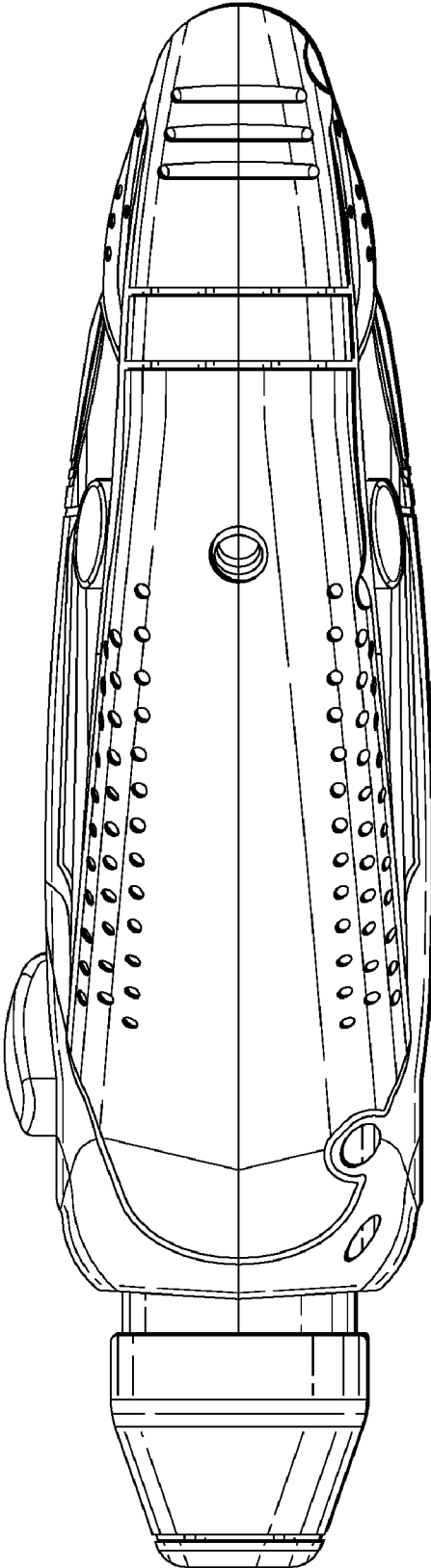


Fig. 3

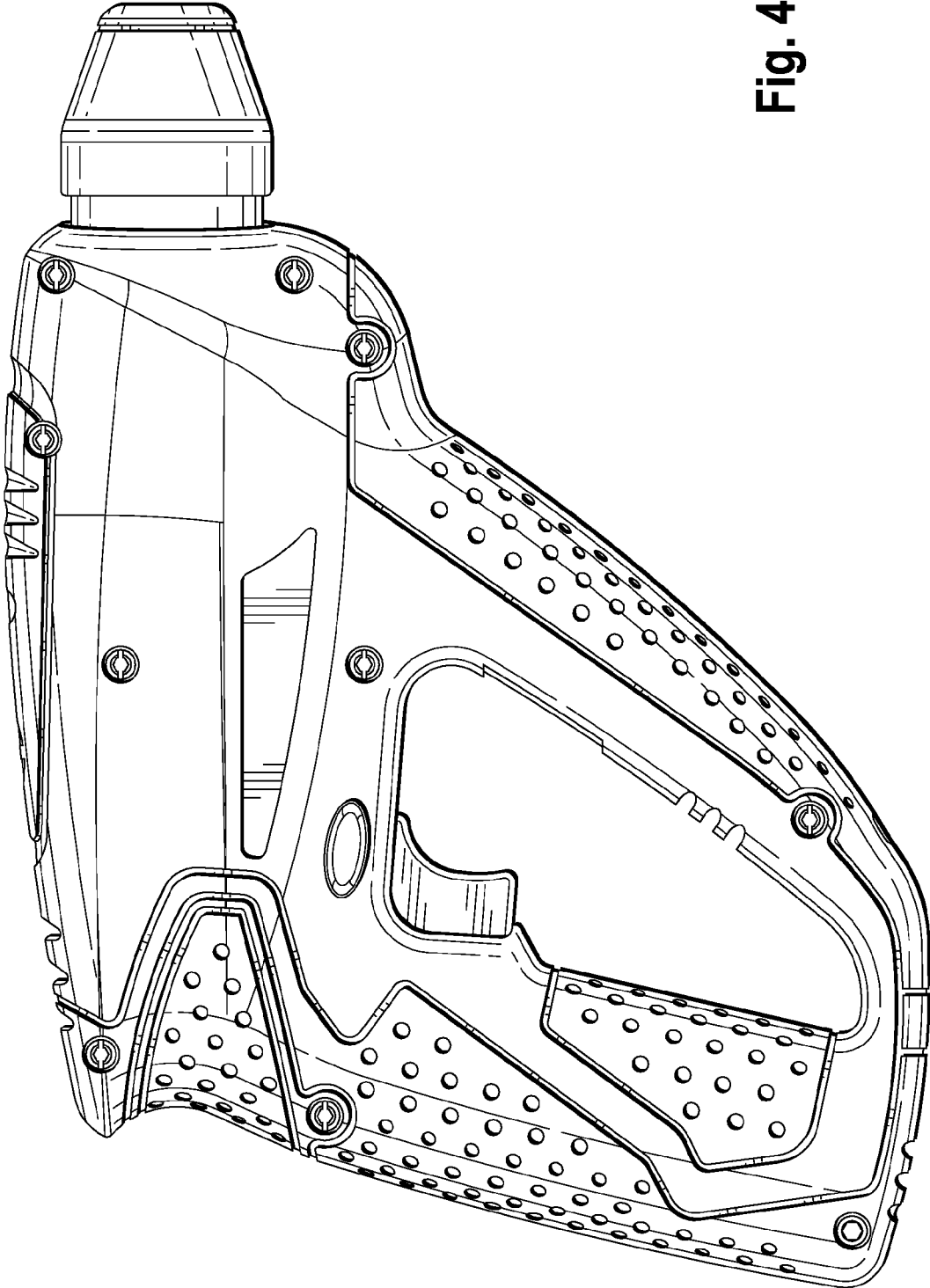


Fig. 4

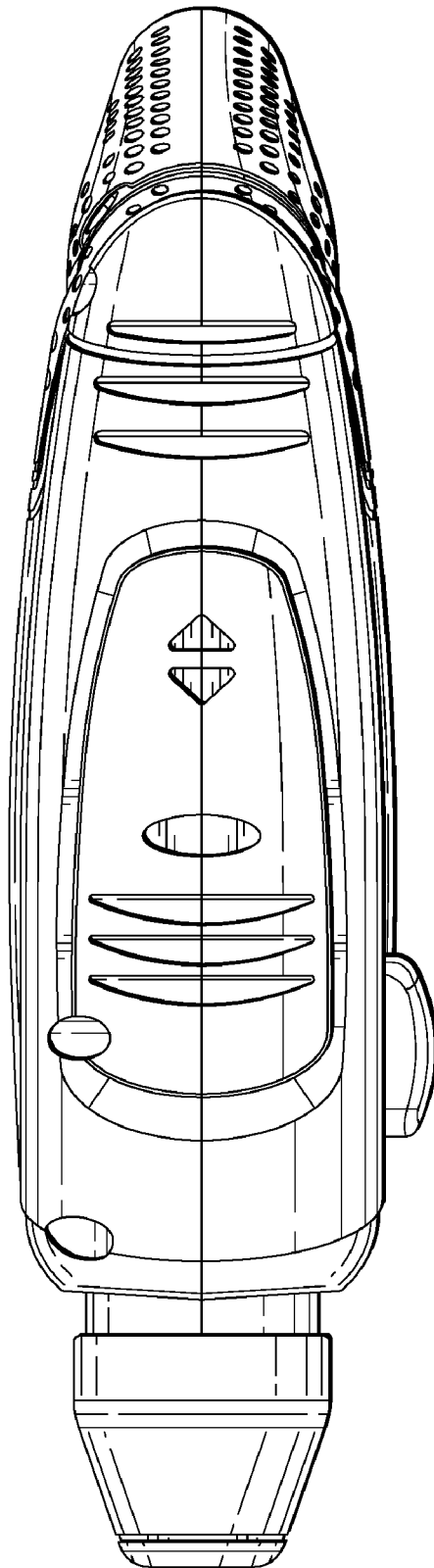


Fig. 5

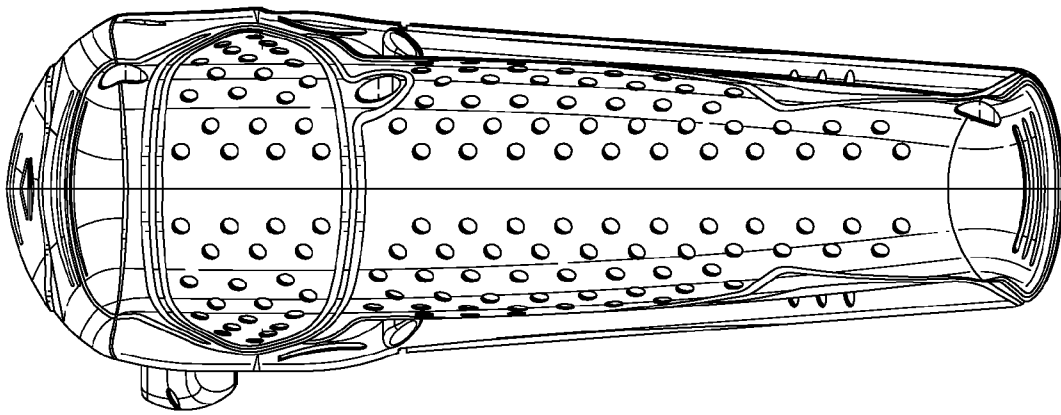


Fig. 7

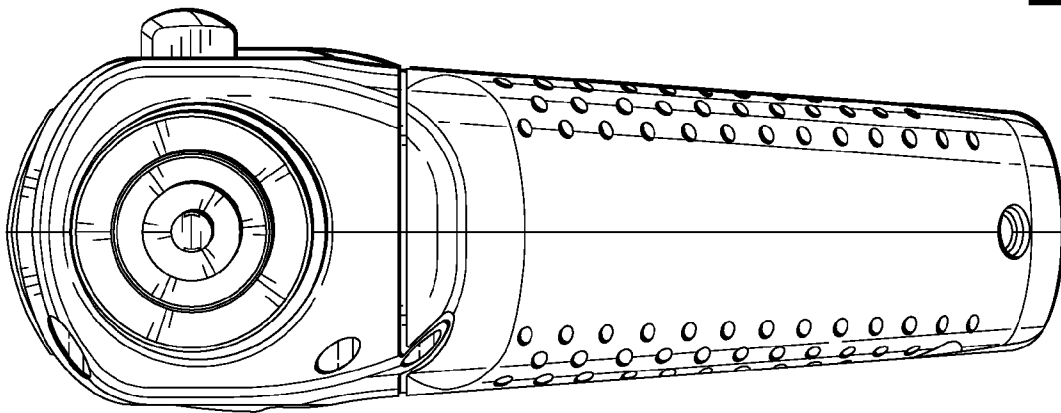


Fig. 6