



US00D411295S

United States Patent [19]

[11] Patent Number: **Des. 411,295**

Evans

[45] Date of Patent: **** Jun. 22, 1999**

[54] **COMBINED MOTOR HOUSING, SWITCH HOUSING AND BLADE IRONS UNIT FOR A CEILING FAN**

Primary Examiner—Lisa Lichtenstein
Attorney, Agent, or Firm—Baker, Donelson Bearman & Caldwell

[75] Inventor: **Richard O. Evans**, Memphis, Tenn.

[57] CLAIM

[73] Assignee: **Hunter Fan Company**, Memphis, Tenn.

The ornamental design for a combined motor housing, switch housing and blade irons unit for a ceiling fan, as shown and described.

[**] Term: **14 Years**

DESCRIPTION

[21] Appl. No.: **29/091,827**

FIG. 1 is a perspective view of a combined motor housing, switch housing and blade irons unit for a ceiling fan showing my new design;

[22] Filed: **Aug. 6, 1998**

FIG. 2 is a perspective view of the design shown in FIG. 1 with the environmental structure removed therefrom;

[51] **LOC (6) Cl.** **23-04**

[52] **U.S. Cl.** **D23/411; D23/377; D23/385**

FIG. 3 is a front view thereof;

[58] **Field of Search** D23/377, 379,

D23/385, 411; 416/5; 392/364; 362/96;

D26/81-88, 86, 51, 59, 72

FIG. 4 is a right-side view thereof;

FIG. 5 is a rear view thereof;

FIG. 6 is a left-side view thereof;

FIG. 7 is a top view thereof; and,

FIG. 8 is a bottom view thereof.

[56] References Cited

U.S. PATENT DOCUMENTS

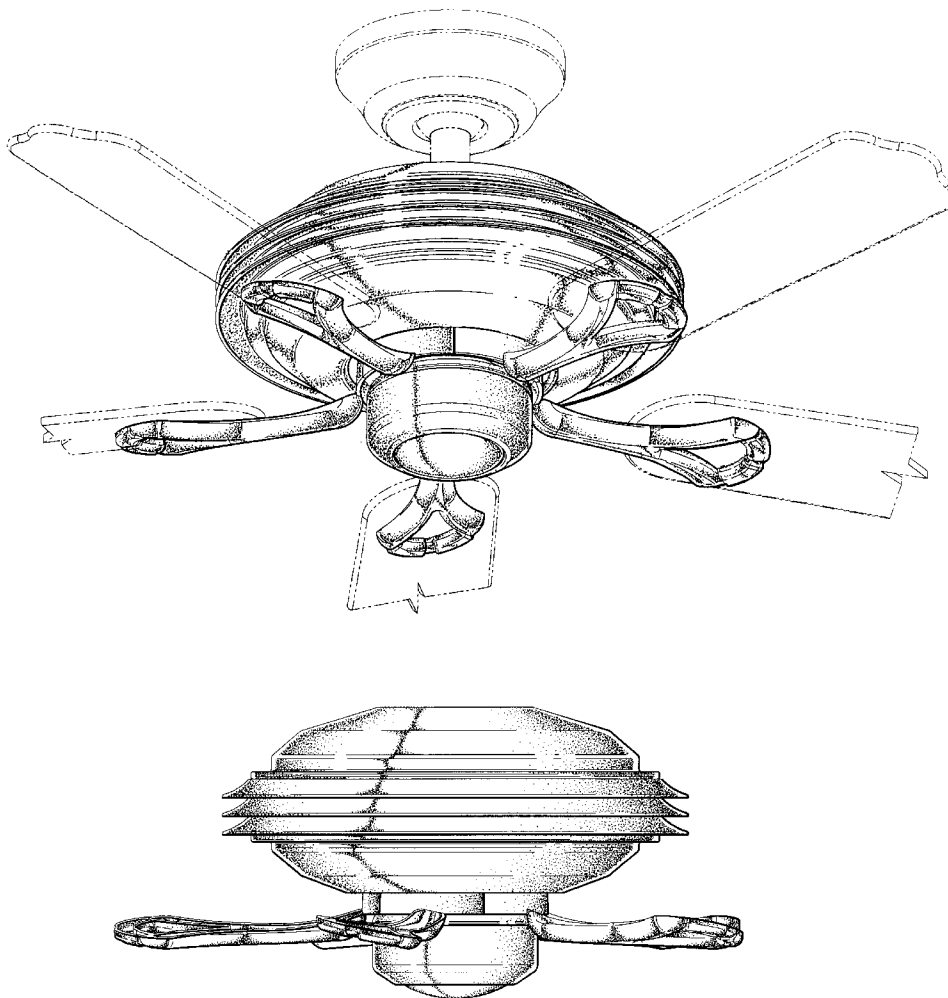
D. 312,688 12/1990 Mason D23/377

D. 329,894 9/1992 Scofield D23/377

D. 376,004 11/1996 Tsuji D23/377

The broken-line showing of environmental structure in FIG. 1 is for illustrative purposes only and forms no part of the claimed design.

1 Claim, 8 Drawing Sheets



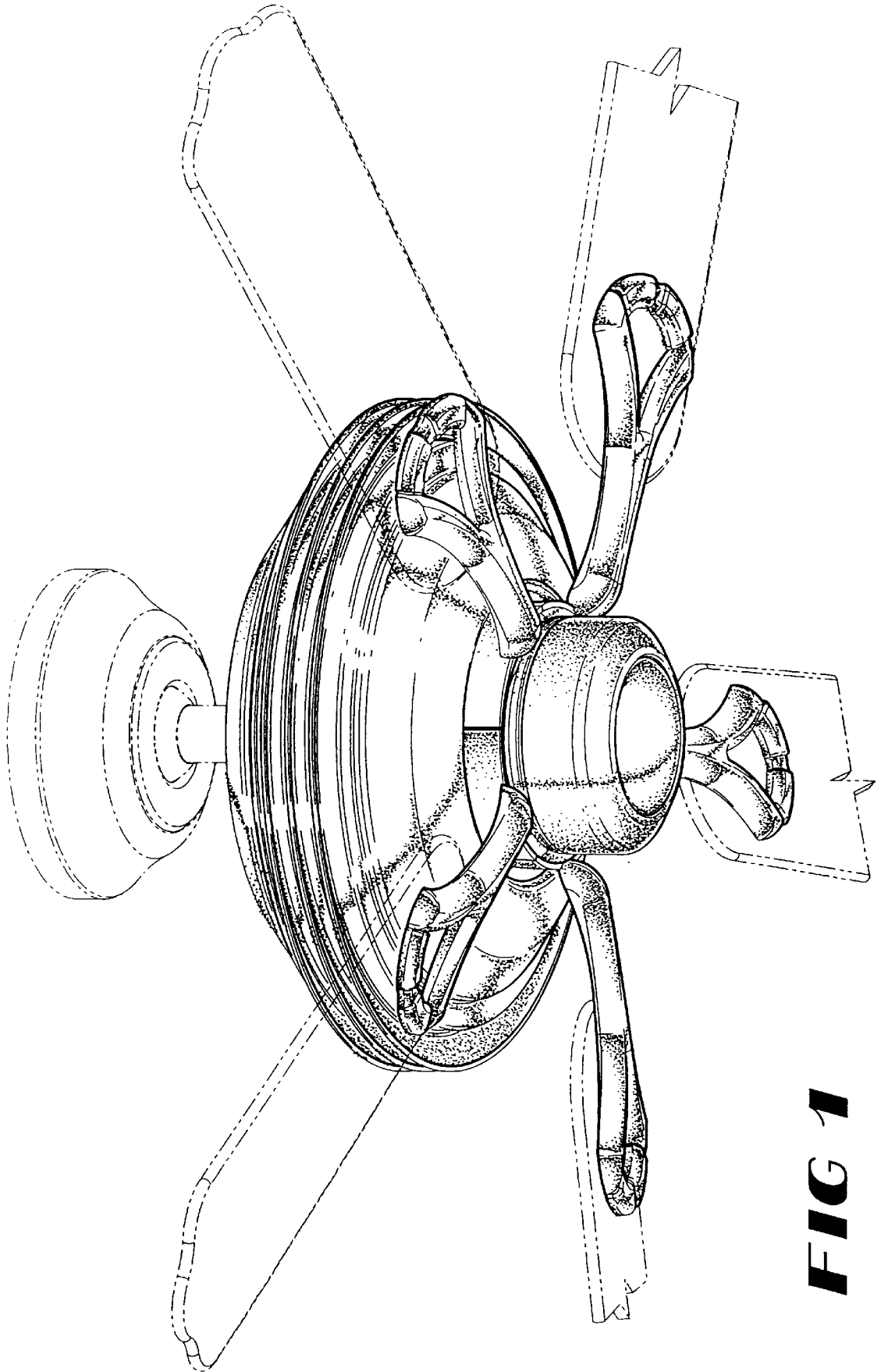


FIG 1

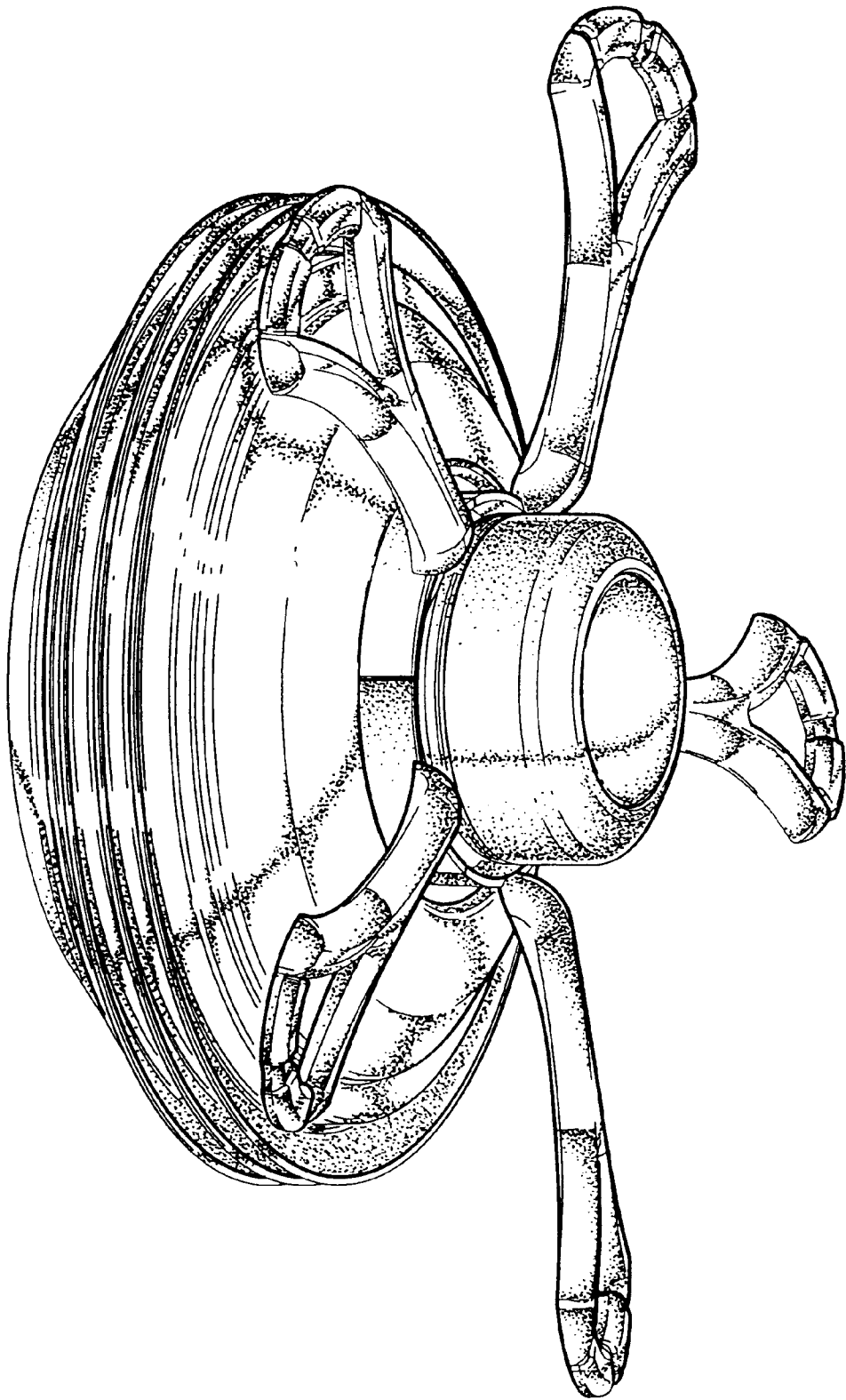


FIG 2

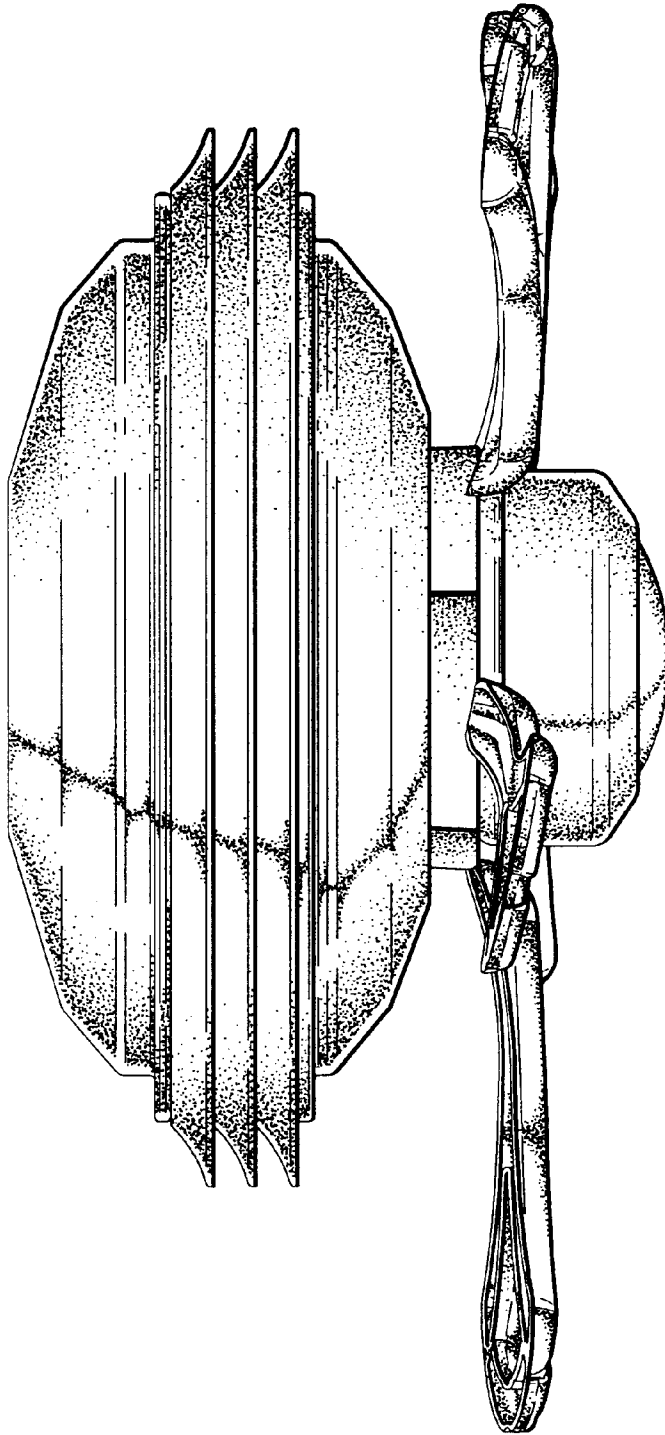


FIG 3

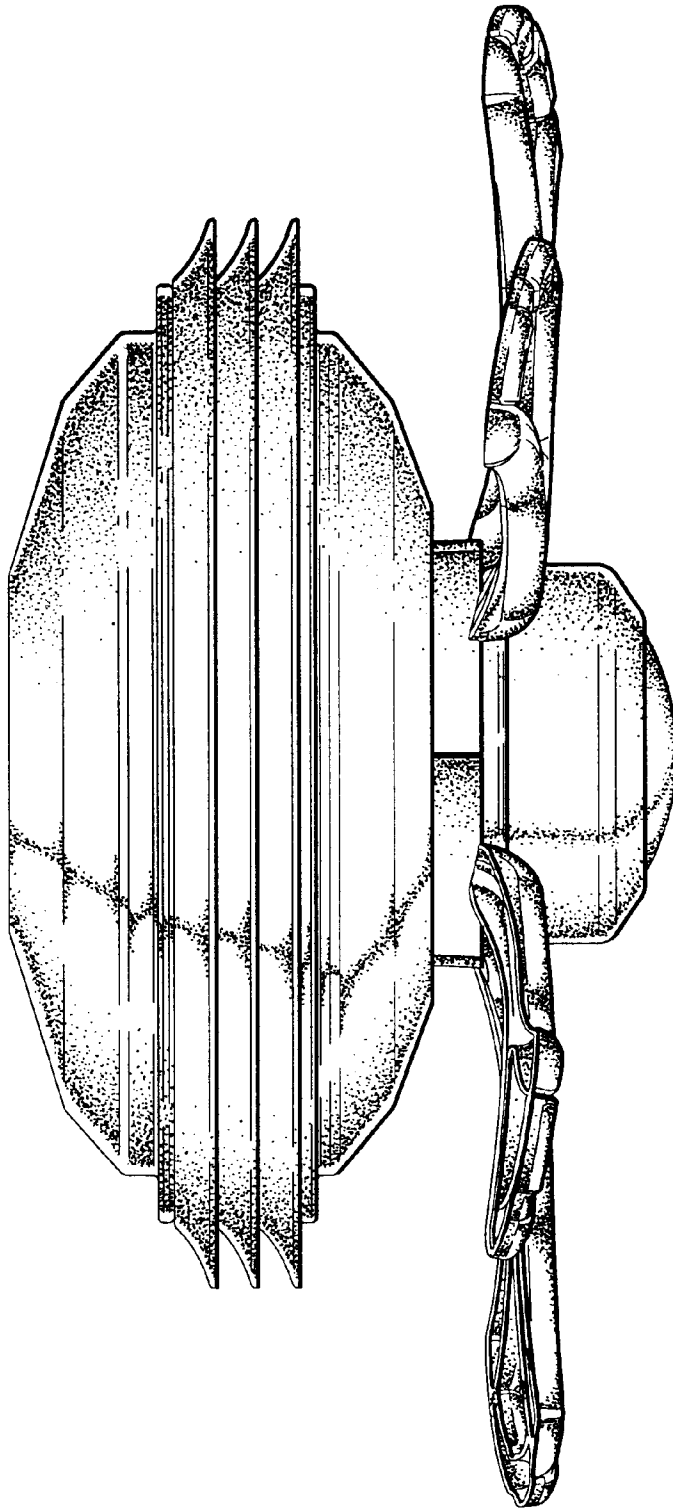


FIG 4

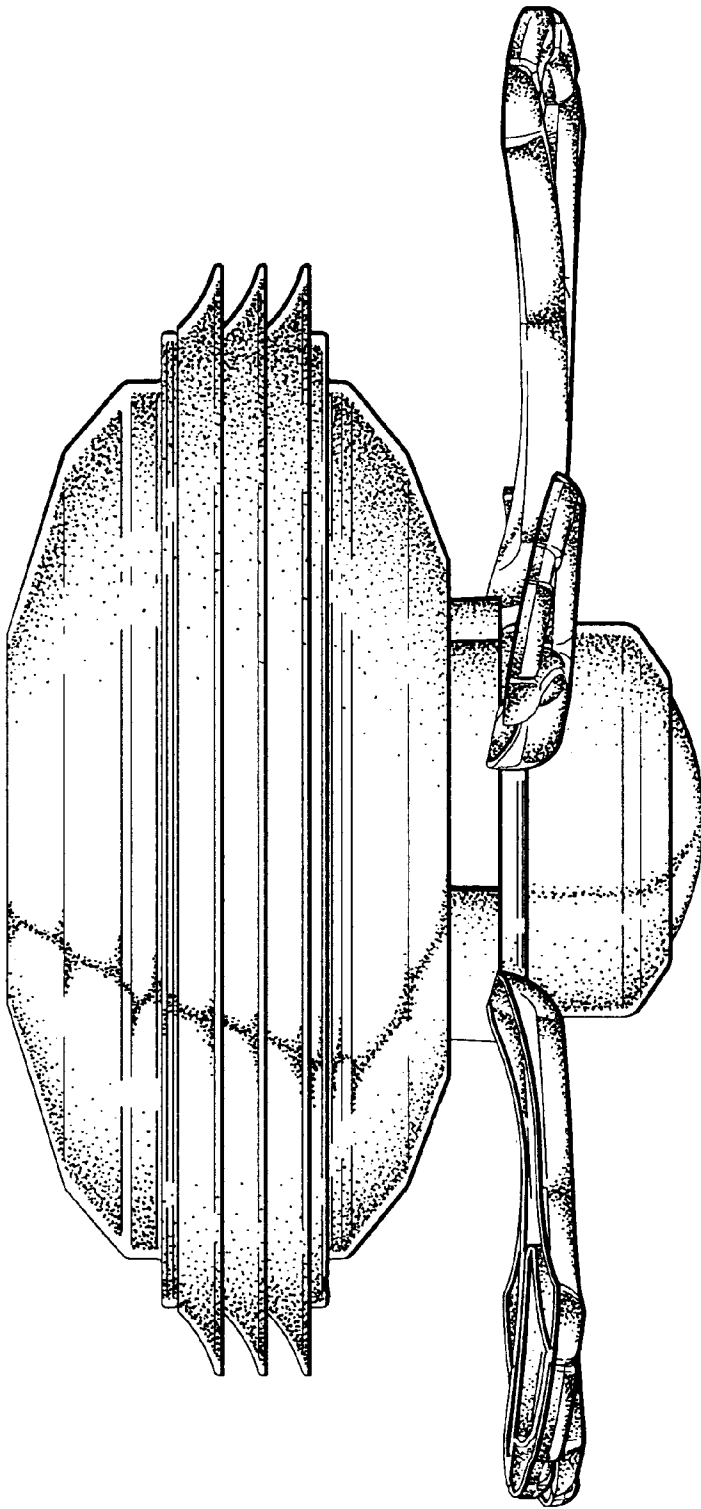


FIG 5

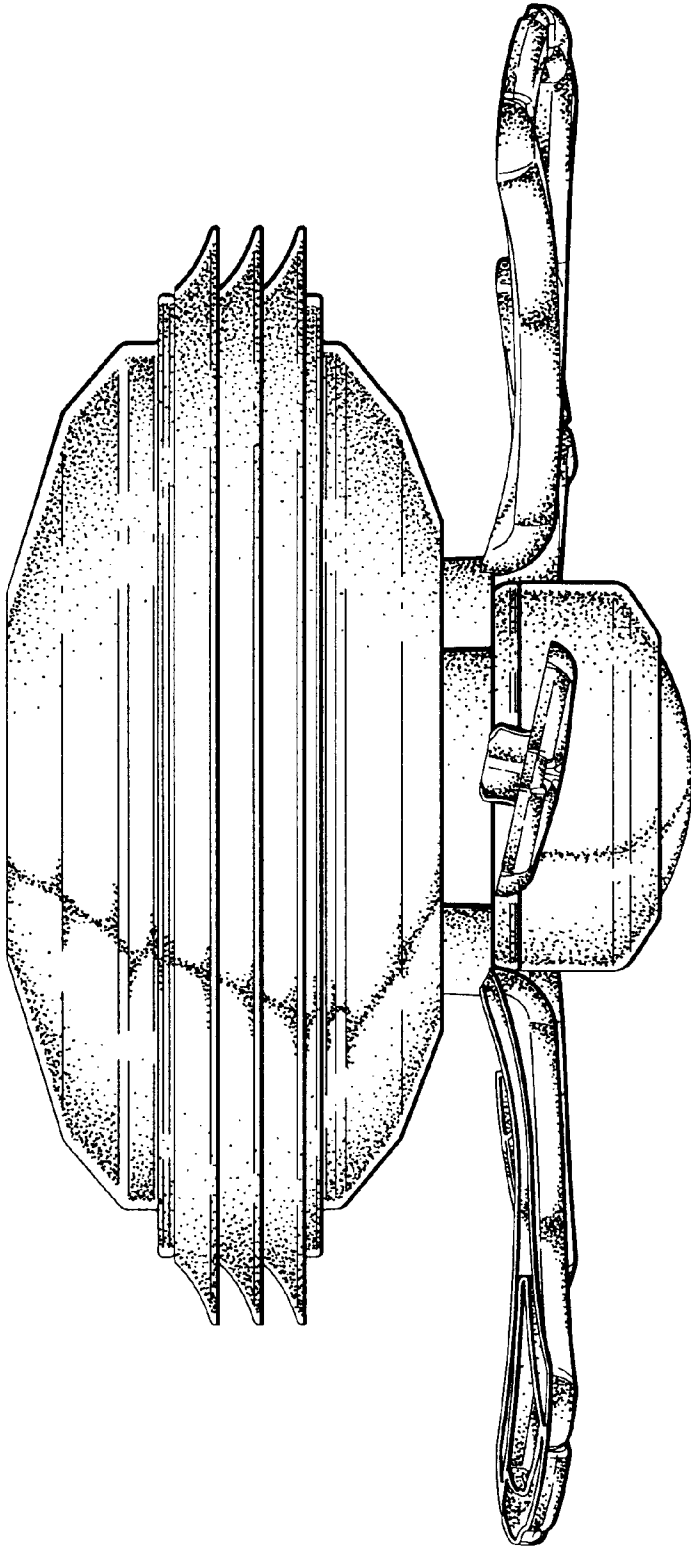


FIG 6

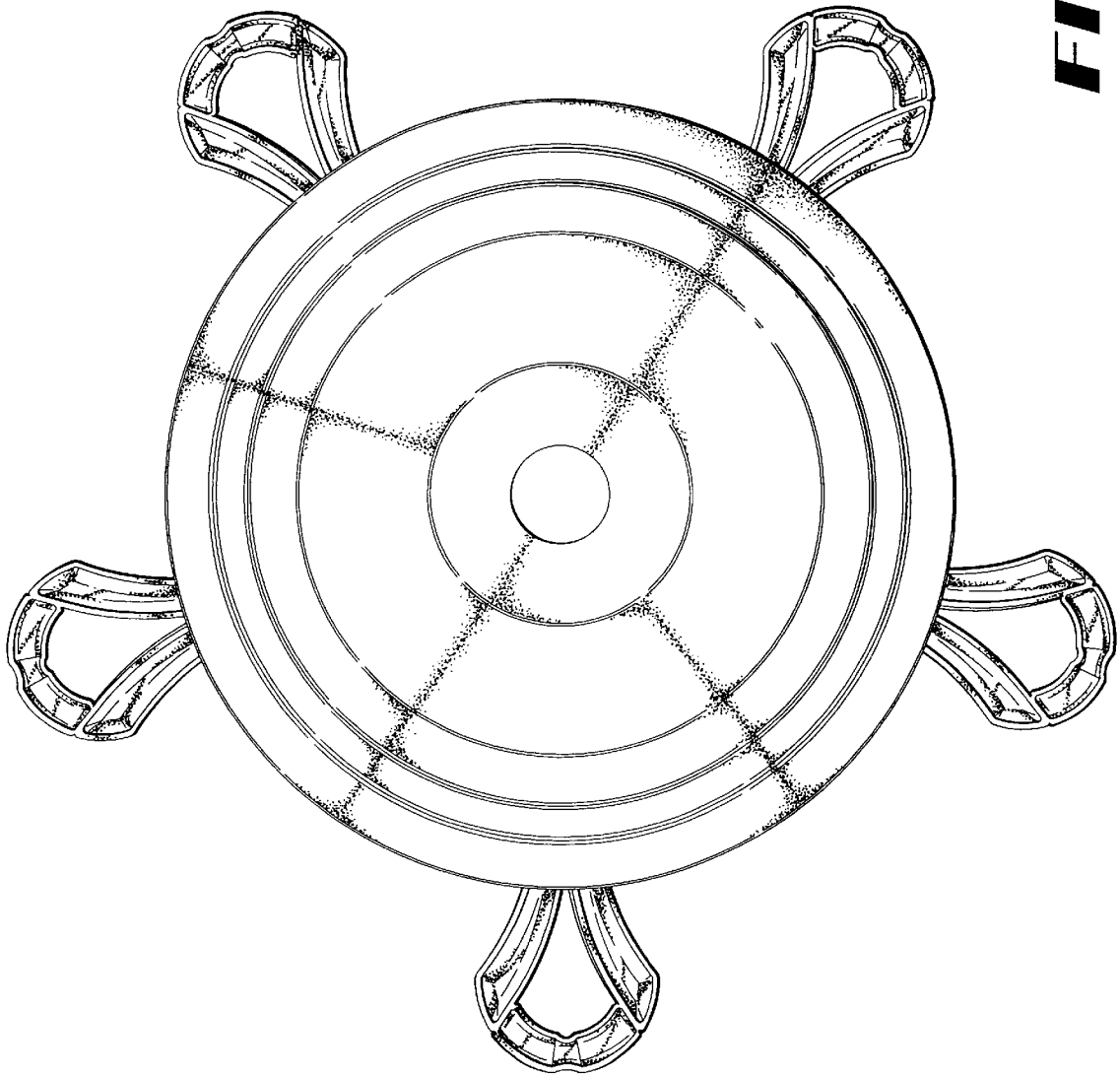


FIG 7

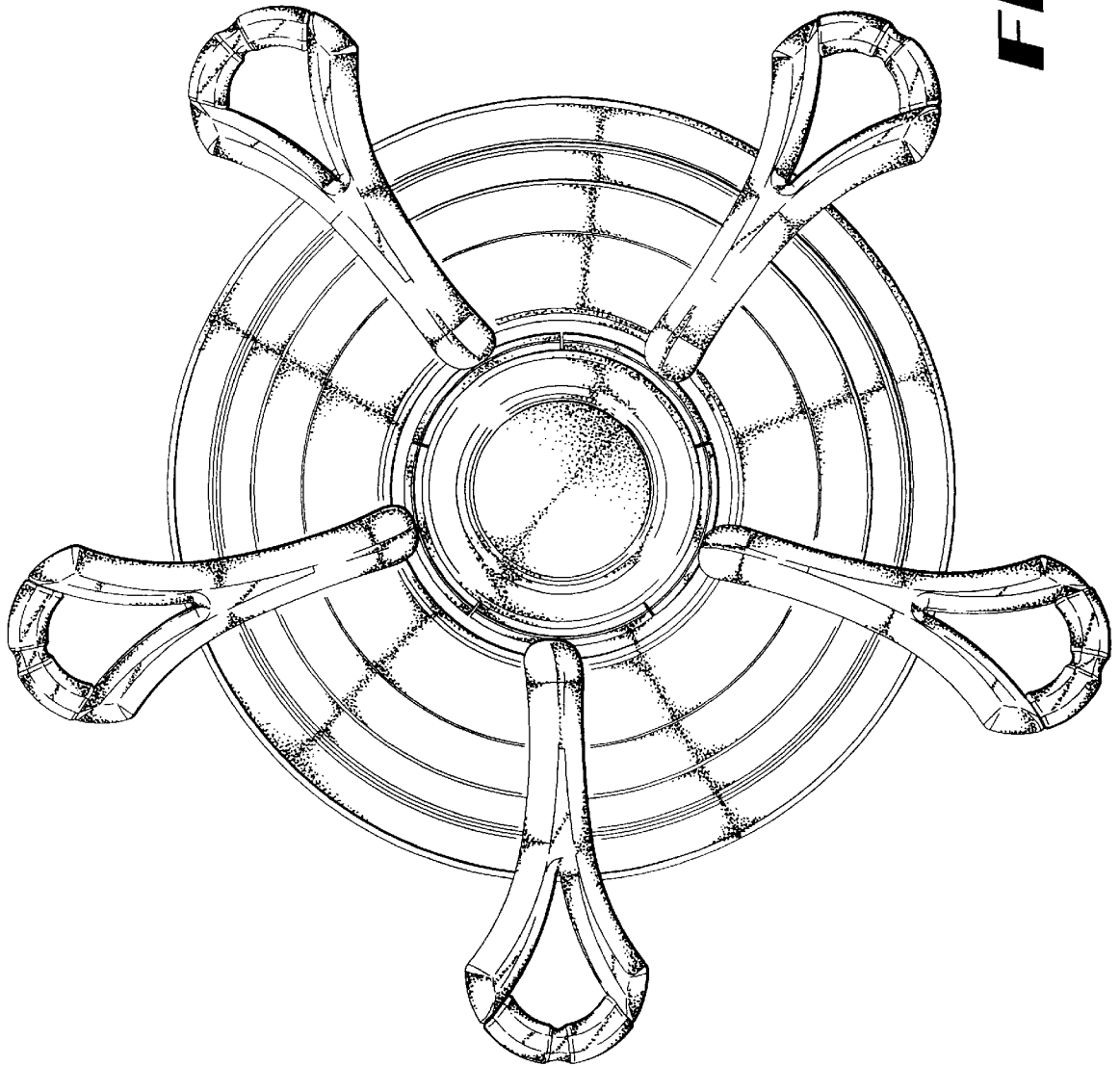


FIG 8