



US00D704183S

(12) **United States Design Patent**  
**Guzman**

(10) **Patent No.:** **US D704,183 S**

(45) **Date of Patent:** **\*\* May 6, 2014**

(54) **CELLULAR TELEPHONE CASE  
INCORPORATING CAMERA LENS**

(76) Inventor: **Jayson Guzman**, Orange, CA (US)

(\*\*) Term: **14 Years**

(21) Appl. No.: **29/423,518**

(22) Filed: **Jun. 1, 2012**

(51) **LOC (10) Cl.** ..... **14-03**

(52) **U.S. Cl.**  
USPC ..... **D14/250**

(58) **Field of Classification Search**  
USPC ..... D14/137, 138, 168, 203.1-203.7, 217,  
D14/218, 248, 253, 440, 474, 496, 483, 356,  
D14/507, 250; D3/218, 269; 345/905;  
455/93, 95

See application file for complete search history.

(56) **References Cited**

**U.S. PATENT DOCUMENTS**

D615,084 S *	5/2010	Burton et al.	.....	D14/341
D626,538 S *	11/2010	Brown et al.	.....	D14/250
D628,997 S *	12/2010	Daniel	.....	D14/341
D656,137 S *	3/2012	Chung et al.	.....	D14/341
D671,102 S *	11/2012	Rothbaum et al.	.....	D14/250
D677,250 S *	3/2013	Takamoto	.....	D14/250
D687,426 S *	8/2013	Requa	.....	D14/250
D688,654 S *	8/2013	Stevinson	.....	D14/250
D690,928 S *	10/2013	Zhang	.....	D3/218
D691,124 S *	10/2013	Yang	.....	D14/250
D694,742 S *	12/2013	Pan	.....	D14/250

**OTHER PUBLICATIONS**

“Patuoxun Fisheye . . . Cover Case”, reference dated Dec. 15, 2013, found on the internet at <http://www.amazon.com/Patuoxun-Fisheye-Camera-Samsung-GT-i9300/dp/B00C3DH0B4>.  
“iPhone 4 Microscope”, reference dated Dec. 15, 2013, found on the internet at <http://www.ebay.co.uk/bhp/iphone-4-microscope>.\*

\* cited by examiner

*Primary Examiner* — Robert M Spear

*Assistant Examiner* — Rhea Shields

(74) *Attorney, Agent, or Firm* — David G. Duckworth; Russo & Duckworth, LLP

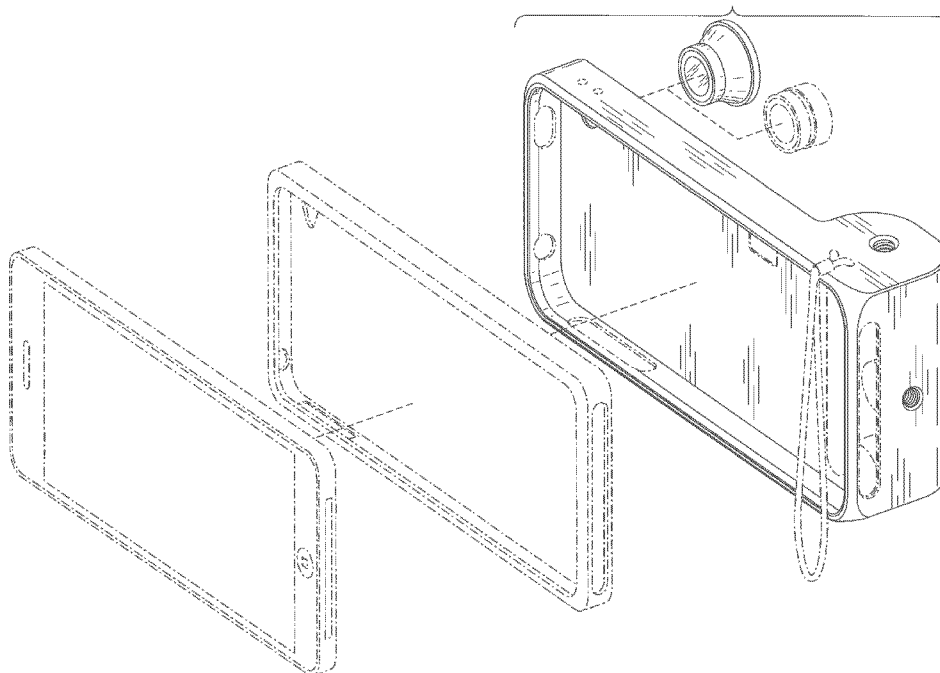
(57) **CLAIM**

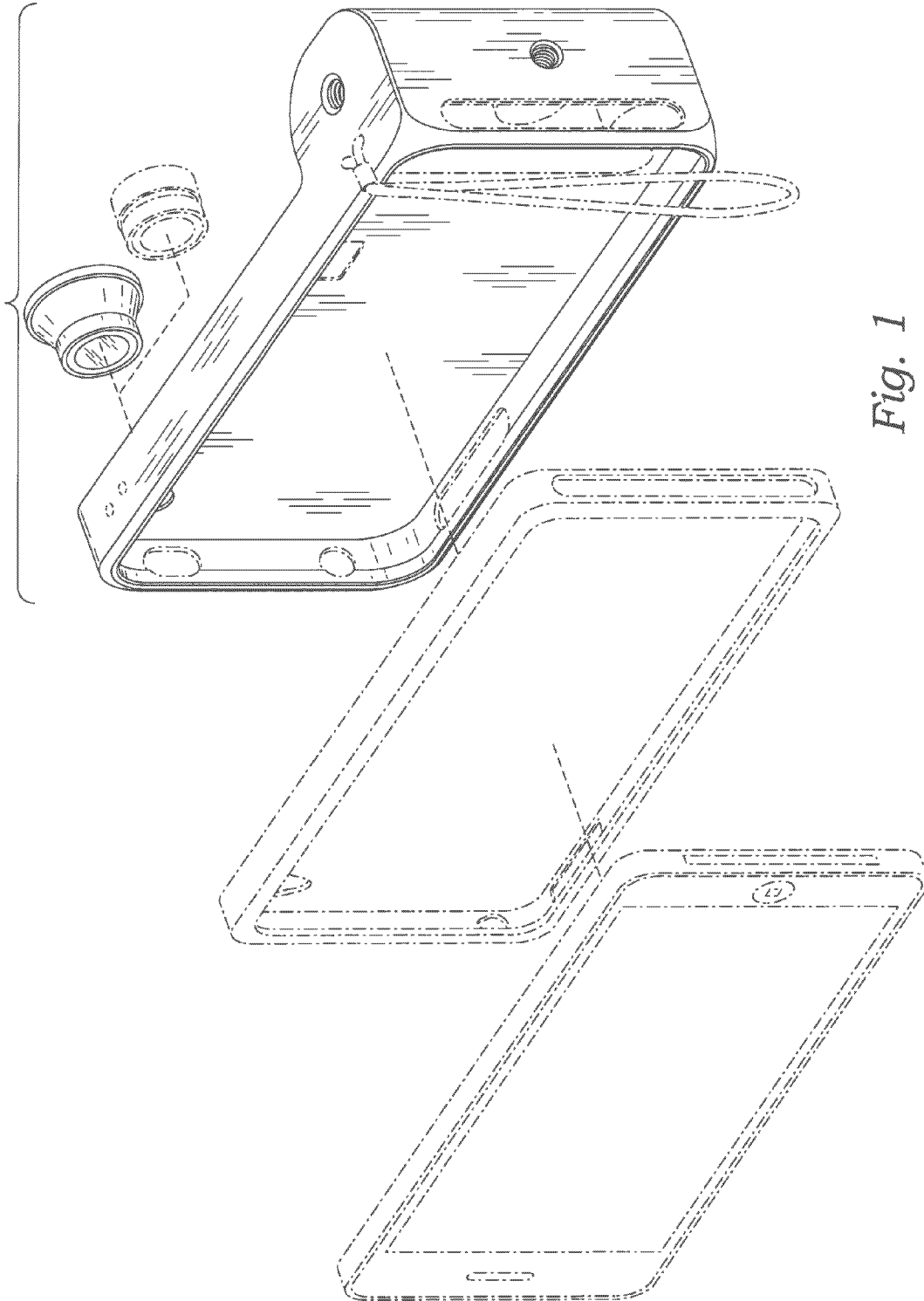
The ornamental design for a cellular telephone case incorporating camera lens, as shown and described.

**DESCRIPTION**

FIG. 1 is a perspective view of the cellular telephone case incorporating camera lens;  
FIG. 2 is a perspective view of the cellular telephone case incorporating camera lens in use mounted to a tripod;  
FIG. 3 is a front perspective view of the cellular telephone case incorporating camera lens;  
FIG. 4 is a front elevation view thereof;  
FIG. 5 is a rear elevation view thereof;  
FIG. 6 is a right side elevation view thereof;  
FIG. 7 is a left side elevation view thereof;  
FIG. 8 is a top plan view thereof; and,  
FIG. 9 is a bottom plan view thereof.

**1 Claim, 5 Drawing Sheets**





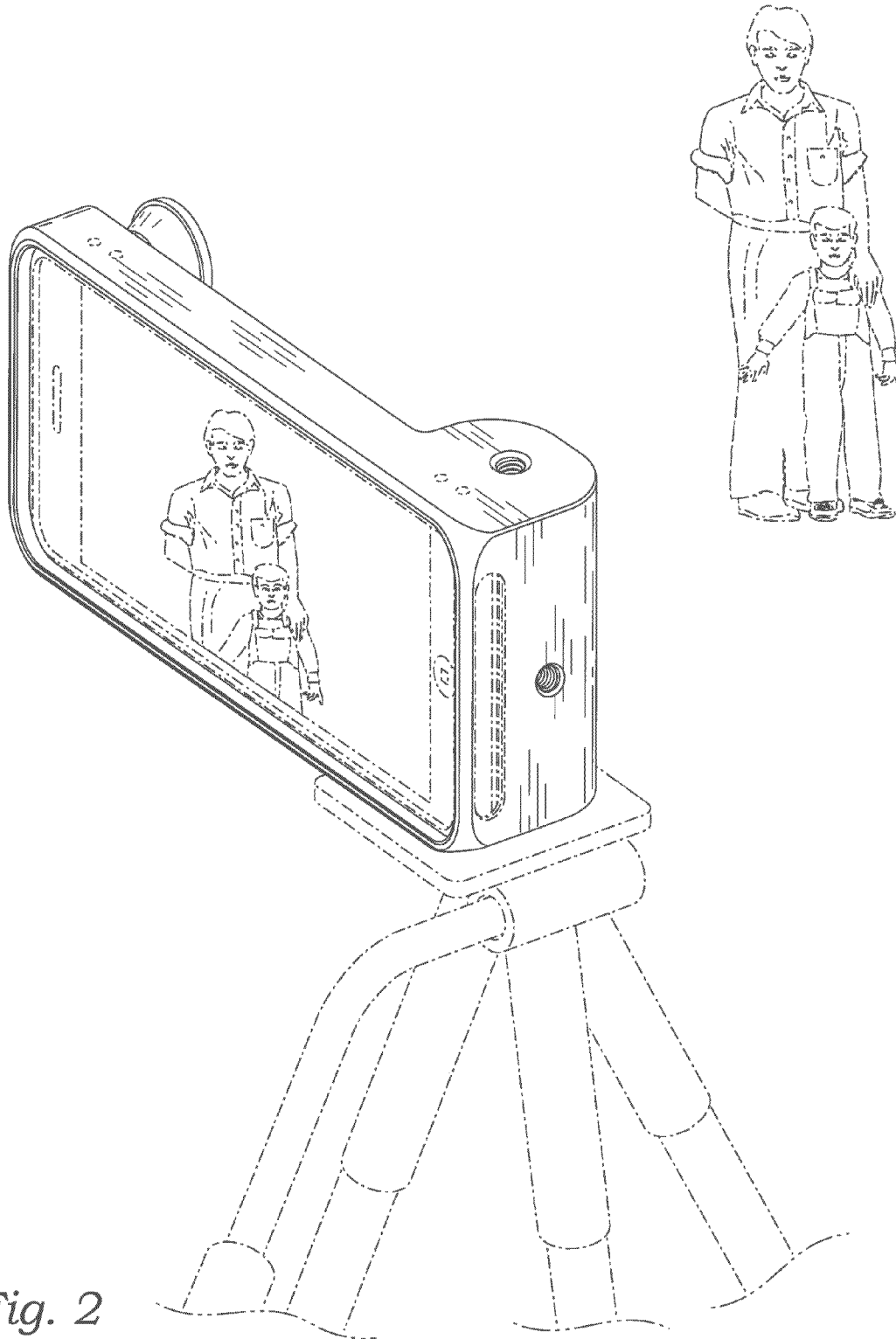
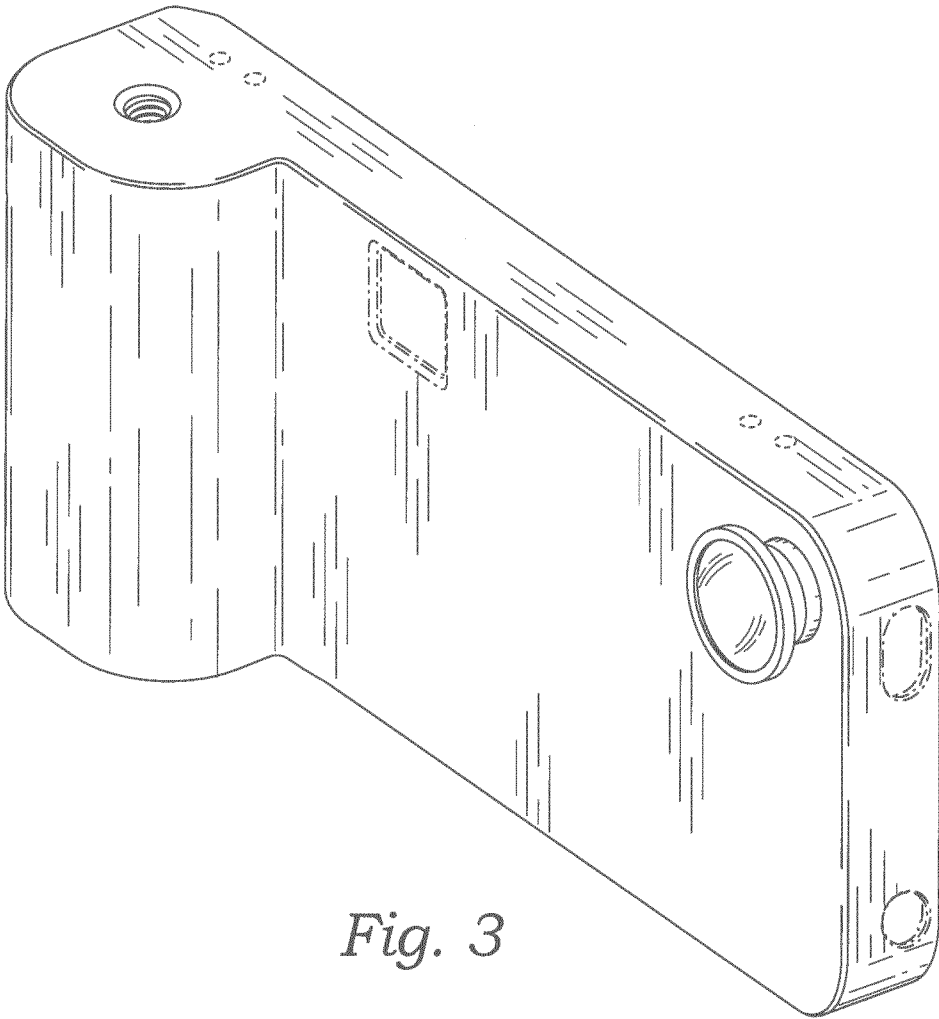
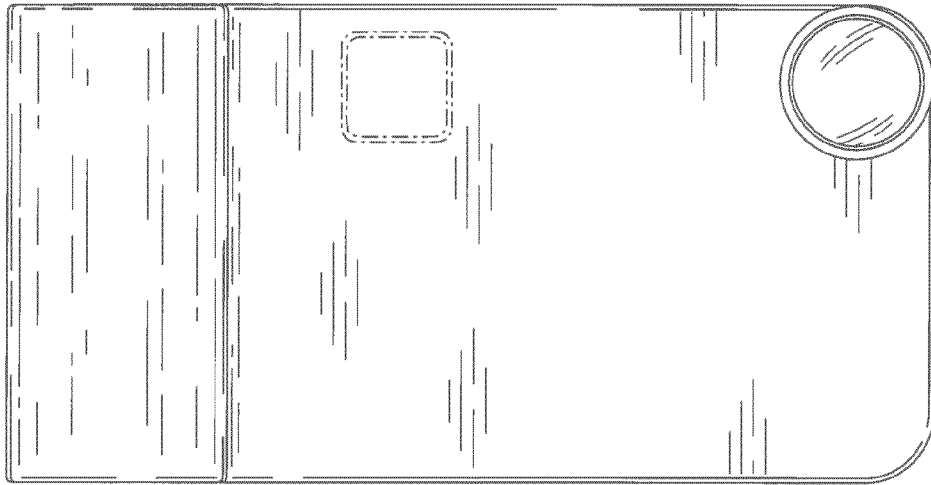


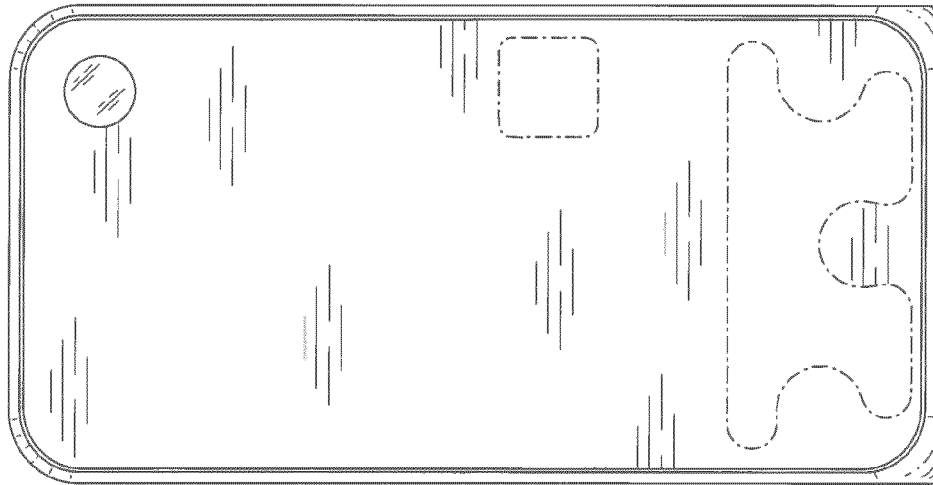
Fig. 2



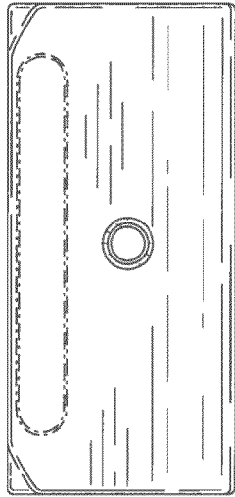
*Fig. 3*



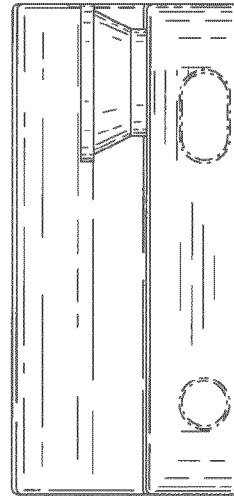
*Fig. 4*



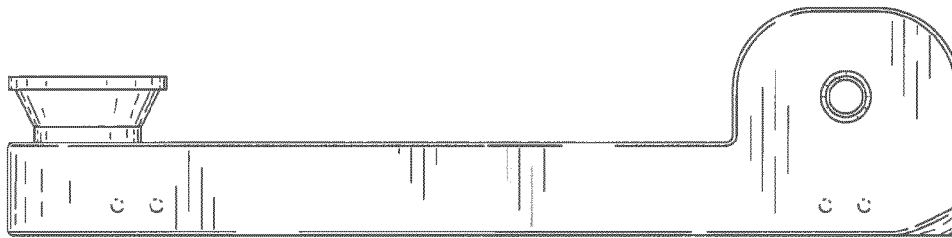
*Fig. 5*



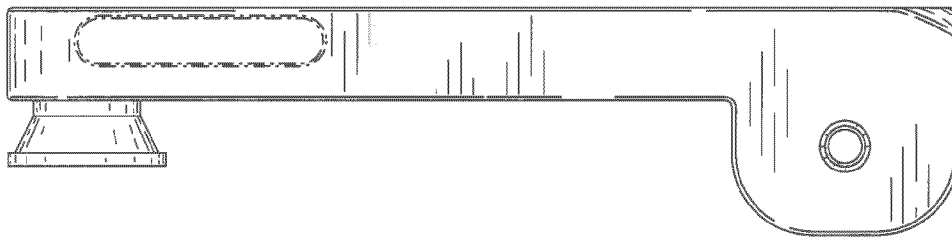
*Fig. 6*



*Fig. 7*



*Fig. 8*



*Fig. 9*