



US0D1003276S

(12) **United States Design Patent**
Jin et al.

(10) **Patent No.:** **US D1,003,276 S**

(45) **Date of Patent:** **** Oct. 31, 2023**

(54) **HEADPHONE**

OTHER PUBLICATIONS

(71) Applicant: **HUAWEI TECHNOLOGIES CO., LTD.**, Guangdong (CN)

Notice of Allowance issued in JP2021-015181, dated Feb. 22, 2022, 3 pages.

(Continued)

(72) Inventors: **Yongping Jin**, Shanghai (CN); **Guofei Diao**, Shanghai (CN); **Jie Huang**, Shanghai (CN)

Primary Examiner — Paula Allen Greene

(57) **CLAIM**

(73) Assignee: **HUAWEI TECHNOLOGIES CO., LTD.**, Shenzhen (CN)

The ornamental design for a headphone, as shown and described.

DESCRIPTION

(**) Term: **15 Years**

FIG. 1 is a front perspective view of a first embodiment of a headphone showing our new design; FIG. 2 is a front view thereof; FIG. 3 is a back view thereof; FIG. 4 is a top view thereof; FIG. 5 is a bottom view thereof; FIG. 6 is a right view thereof; FIG. 7 is a left view thereof; FIG. 8 is a rear perspective view thereof; FIG. 9 is a front perspective view of a second embodiment of a headphone showing our new design; FIG. 10 is a front view thereof; FIG. 11 is a back view thereof; FIG. 12 is a top view thereof; FIG. 13 is a bottom view thereof; FIG. 14 is a right view thereof; FIG. 15 is a left view thereof; FIG. 16 is a rear perspective view thereof; FIG. 17 is a front perspective view of a third embodiment of a headphone showing our new design; FIG. 18 is a front view thereof; FIG. 19 is a back view thereof; FIG. 20 is a top view thereof; FIG. 21 is a bottom view thereof; FIG. 22 is a right view thereof; FIG. 23 is a left view thereof; and, FIG. 24 is a rear perspective view thereof.

(21) Appl. No.: **29/802,617**

(22) Filed: **Aug. 6, 2021**

(30) **Foreign Application Priority Data**

Feb. 9, 2021 (CN) 202130094404.2

(51) **LOC (14) Cl.** **14-01**

(52) **U.S. Cl.**
USPC **D14/223**

(58) **Field of Classification Search**
USPC D14/223, 205; 381/380-381, 322, 328;
D24/174; 128/864-866

(Continued)

(56) **References Cited**

U.S. PATENT DOCUMENTS

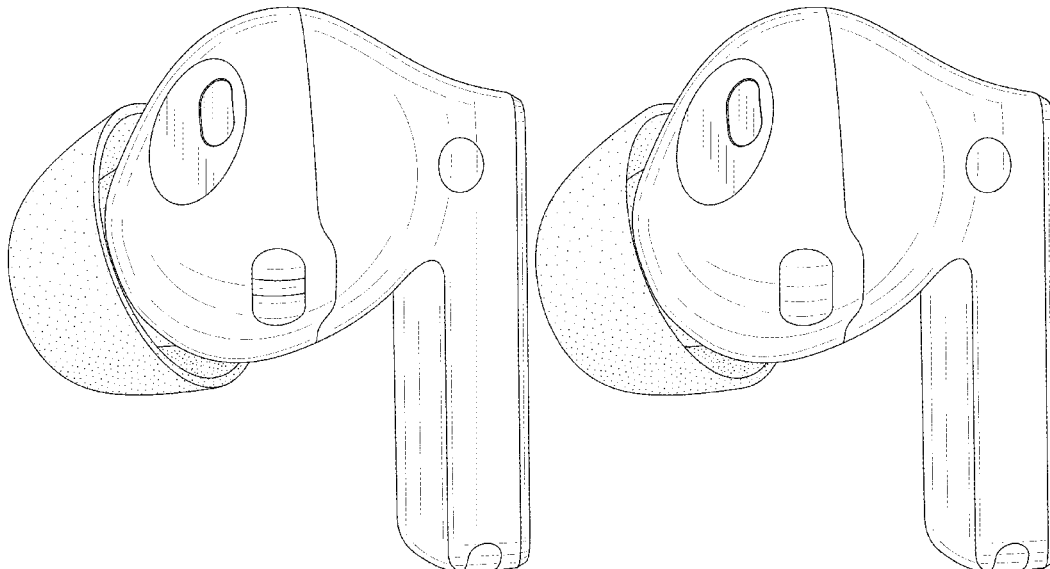
D620,927 S 8/2010 Li
D640,242 S 6/2011 Fahrendorff et al.
(Continued)

FOREIGN PATENT DOCUMENTS

EM 008191225-0001 * 9/2020
EM 82159250001 11/2020

(Continued)

1 Claim, 24 Drawing Sheets



(58) **Field of Classification Search**

CPC H04R 1/10; H04R 1/1066; H04R 1/1016;
 H04R 5/033; H04R 5/0335; H04R
 1/1041; H04R 25/00; H04R 25/02; H04R
 1/1058; H04R 1/1091; H04R 1/1083;
 H04R 1/105

See application file for complete search history.

(56) **References Cited**

U.S. PATENT DOCUMENTS

D649,957 S 12/2011 Fahrendorff et al.
 D809,487 S * 2/2018 Lee D14/223
 D815,069 S * 4/2018 Xiong D14/223
 D820,240 S * 6/2018 Holliday D14/223
 D832,824 S * 11/2018 Kim D14/223
 D847,795 S * 5/2019 Kim D14/223
 D853,993 S * 7/2019 Kuh D24/174
 D864,169 S * 10/2019 Min D14/223
 D869,445 S 12/2019 Hu
 D872,711 S 1/2020 Hu
 D877,722 S * 3/2020 Yang D14/223
 D878,337 S * 3/2020 Yang D14/223
 D889,436 S * 7/2020 Zhang D14/206
 D889,437 S 7/2020 Ando et al.
 D890,138 S * 7/2020 Peng D14/223
 D893,437 S * 8/2020 Dimberg D13/168
 D895,579 S * 9/2020 Yang D14/223
 D895,582 S * 9/2020 Wu D14/223
 D896,206 S * 9/2020 Xu D14/223
 D896,207 S * 9/2020 He D14/223
 D901,457 S * 11/2020 Zhang D14/223
 D903,639 S * 12/2020 Yang D14/223
 D905,019 S * 12/2020 Liu D14/223
 D906,299 S * 12/2020 Luo D14/223
 D910,600 S * 2/2021 Zhang D14/223
 D910,601 S * 2/2021 Hu D14/223
 D916,058 S * 4/2021 Wu D14/223
 D916,683 S * 4/2021 Yao D14/223
 D916,684 S * 4/2021 Fang D14/223
 D929,379 S 8/2021 Woo et al.
 D929,380 S 8/2021 Park et al.
 D934,839 S 11/2021 Zhong
 D935,446 S 11/2021 Yi et al.

D937,246 S * 11/2021 Li D14/223
 D940,690 S * 1/2022 Zhang D14/223
 D942,424 S * 2/2022 Ye D14/223
 D942,427 S * 2/2022 Liu D14/223
 D943,354 S 2/2022 Powell et al.
 D943,554 S * 2/2022 Zhang D14/223
 D944,779 S * 3/2022 Wang D14/223
 D948,482 S * 4/2022 Liu D14/223
 D950,525 S * 5/2022 Chen D14/223
 D952,611 S * 5/2022 Hong D14/223
 D956,719 S 7/2022 Huang
 D967,069 S 10/2022 Zhu
 D967,802 S 10/2022 Zhang et al.
 D967,803 S * 10/2022 Zhao D14/223
 D989,045 S * 6/2023 Deng D14/223
 2009/0233652 A1 * 9/2009 Yang H04R 31/006
 455/569.1
 2012/0003937 A1 * 1/2012 Zhong H04M 1/6066
 455/41.3
 2012/0220342 A1 * 8/2012 Holliday H04M 1/82
 455/566
 2020/0068283 A1 * 2/2020 Chou H04R 1/1025
 2020/0252715 A1 8/2020 Zhou et al.

FOREIGN PATENT DOCUMENTS

EM	008191225	12/2020
EM	008649842	8/2021
GB	6252557	2/2023
JP	1673627 S	11/2020
JP	1681174 S	3/2021
JP	1693018 S	8/2021
JP	1700593 S	11/2021

OTHER PUBLICATIONS

U.S. Appl. No. 29/802,617, filed Aug. 6, 2021, Headphones.
 U.S. Appl. No. 29/802,618, filed Aug. 6, 2021, Headphones.
 Jin, et al., U.S. Appl. No. 29/802,618, filed Aug. 6, 2021, entitled
 "Headphones" total 51 pages.
 Restriction Requirement issued in U.S. Appl. No. 29/802,618, dated
 May 3, 2023, 8 pages.

* cited by examiner

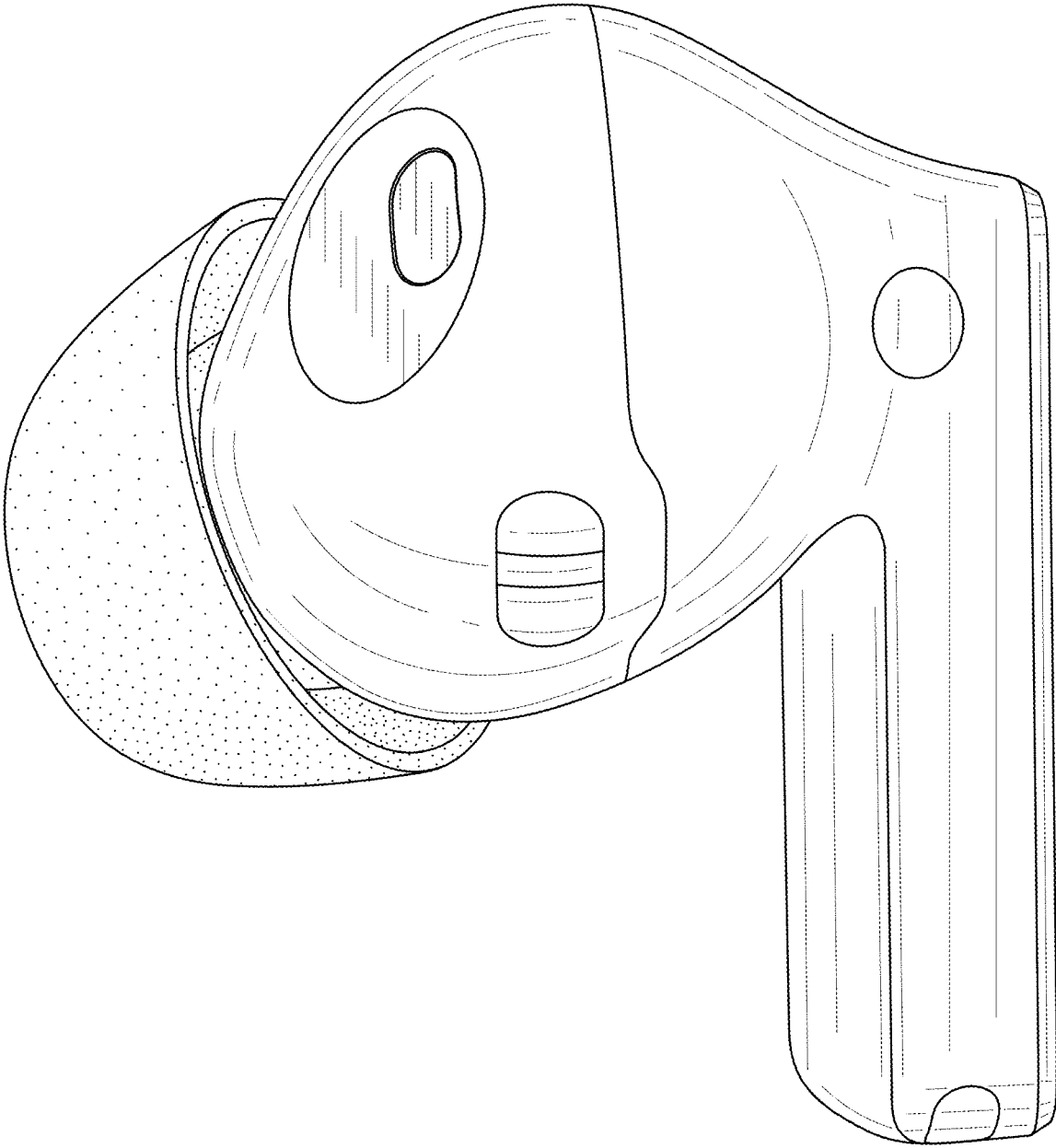


FIG. 1

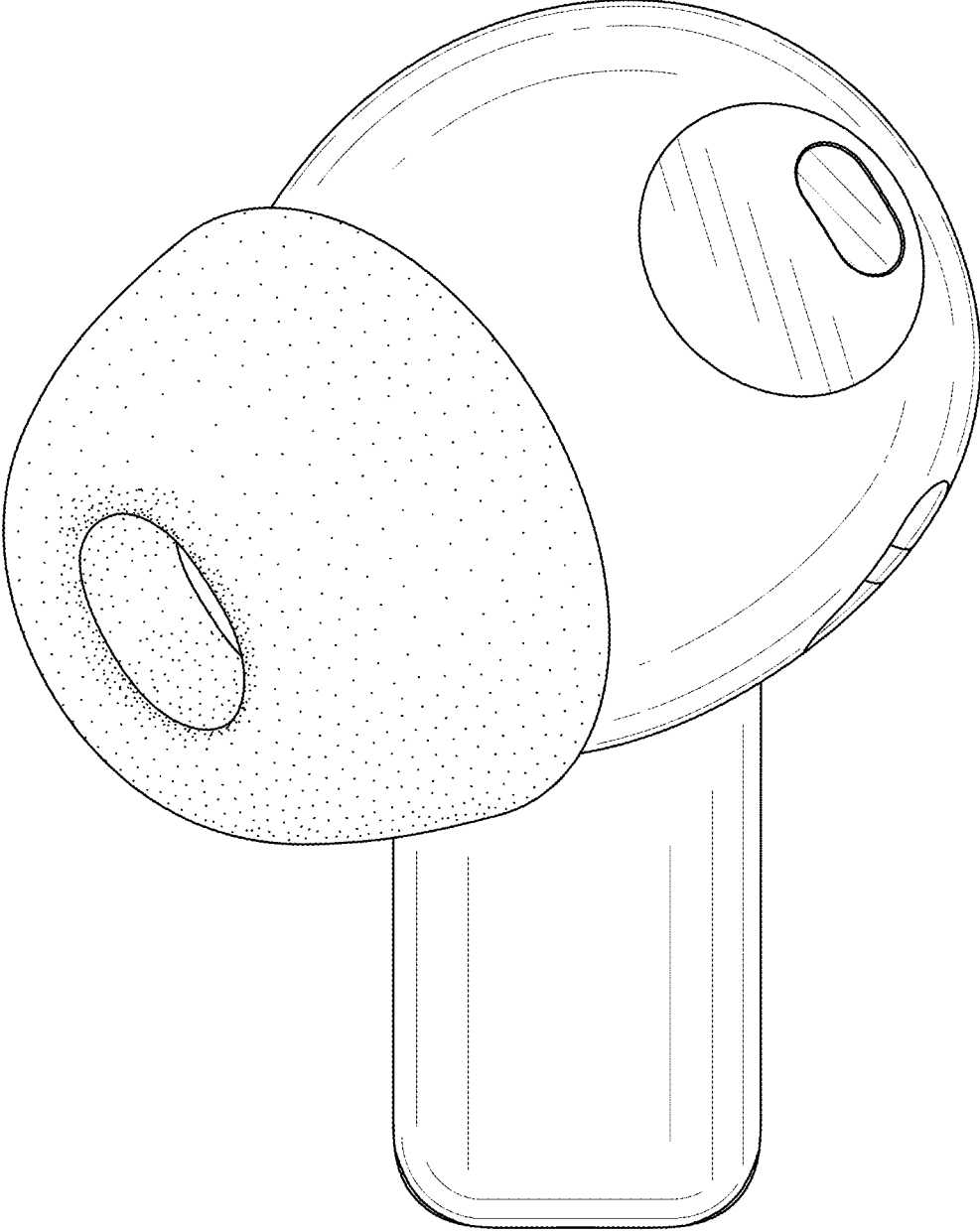


FIG. 2

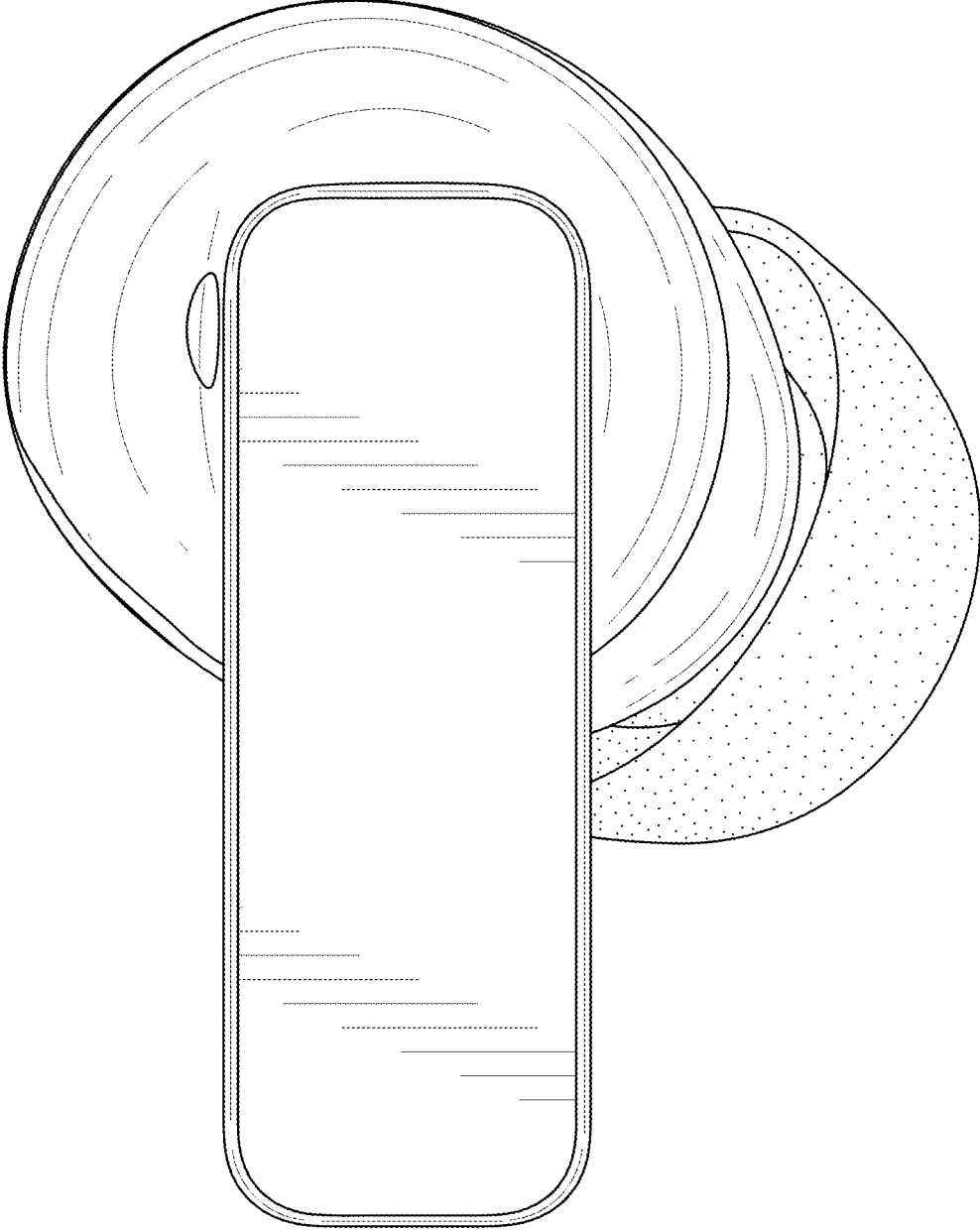


FIG. 3

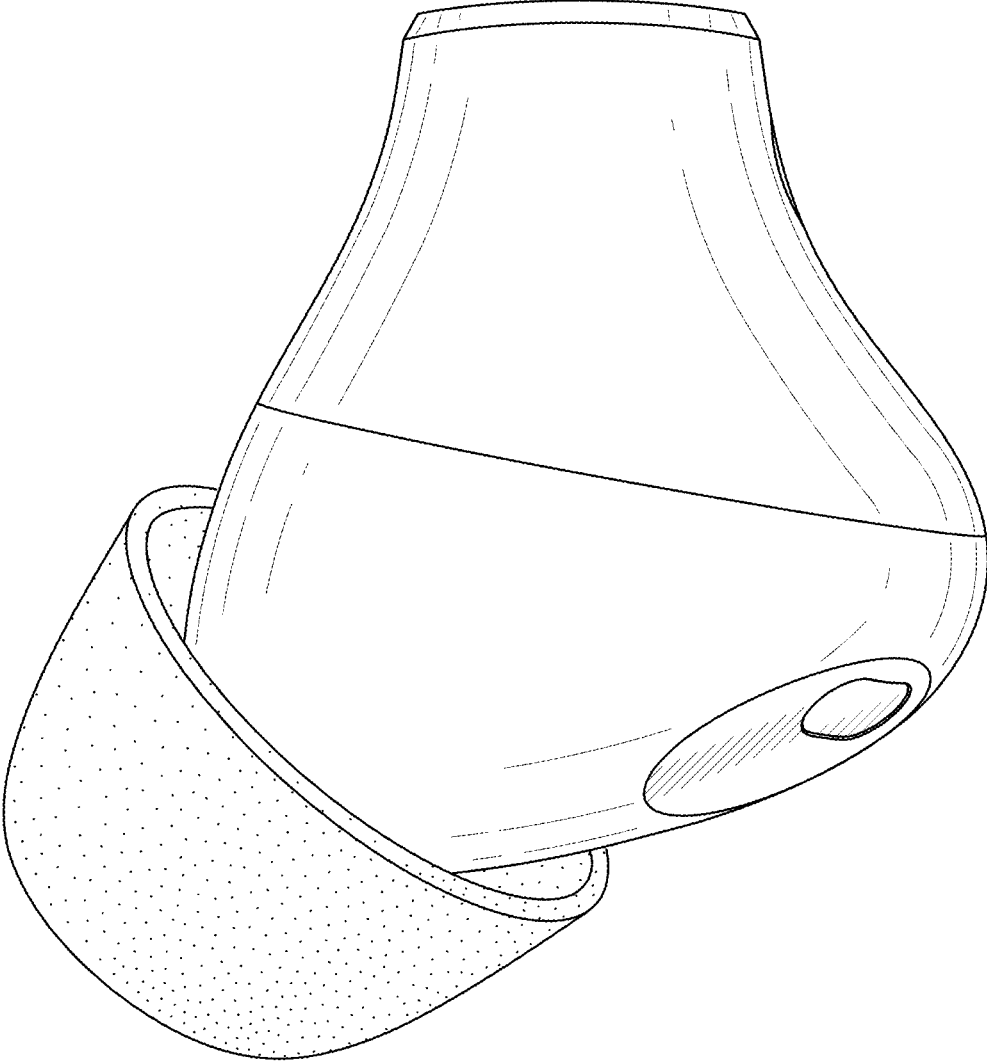


FIG. 4

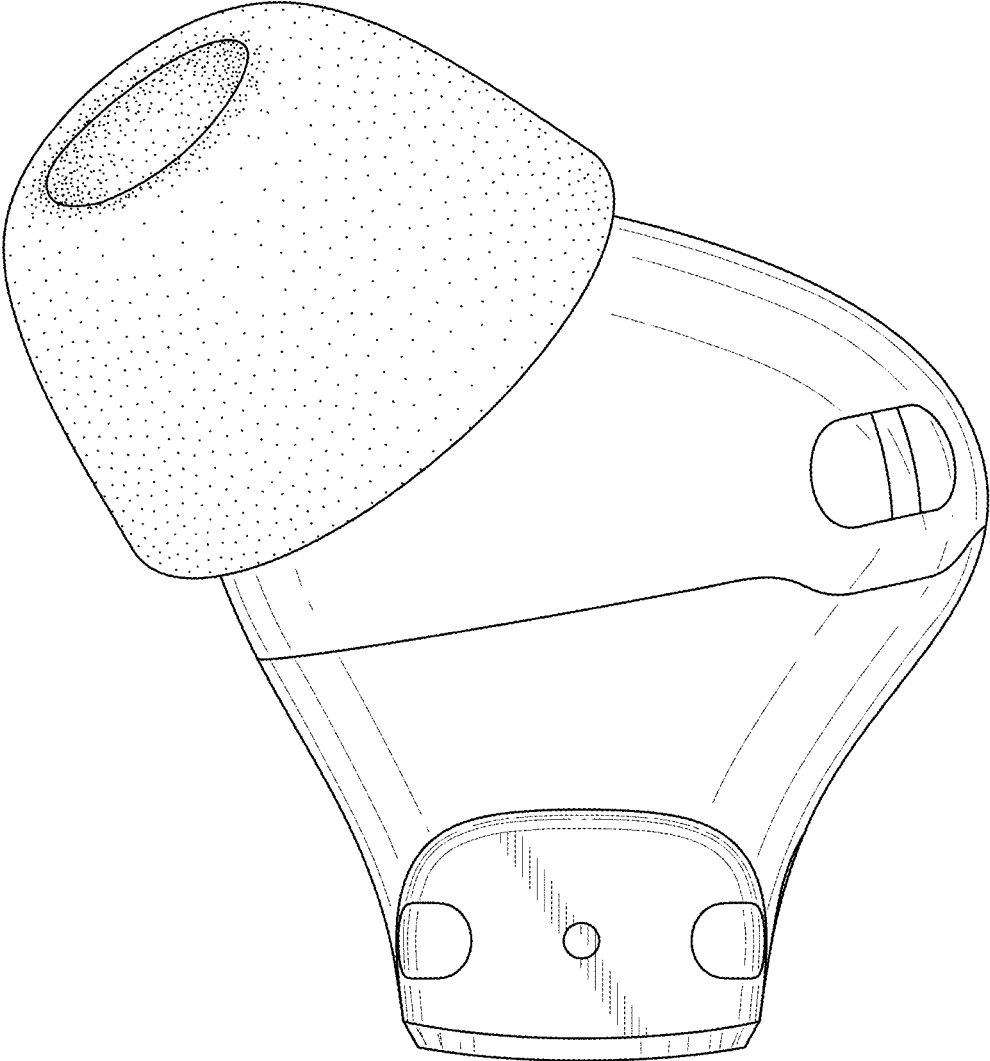


FIG. 5

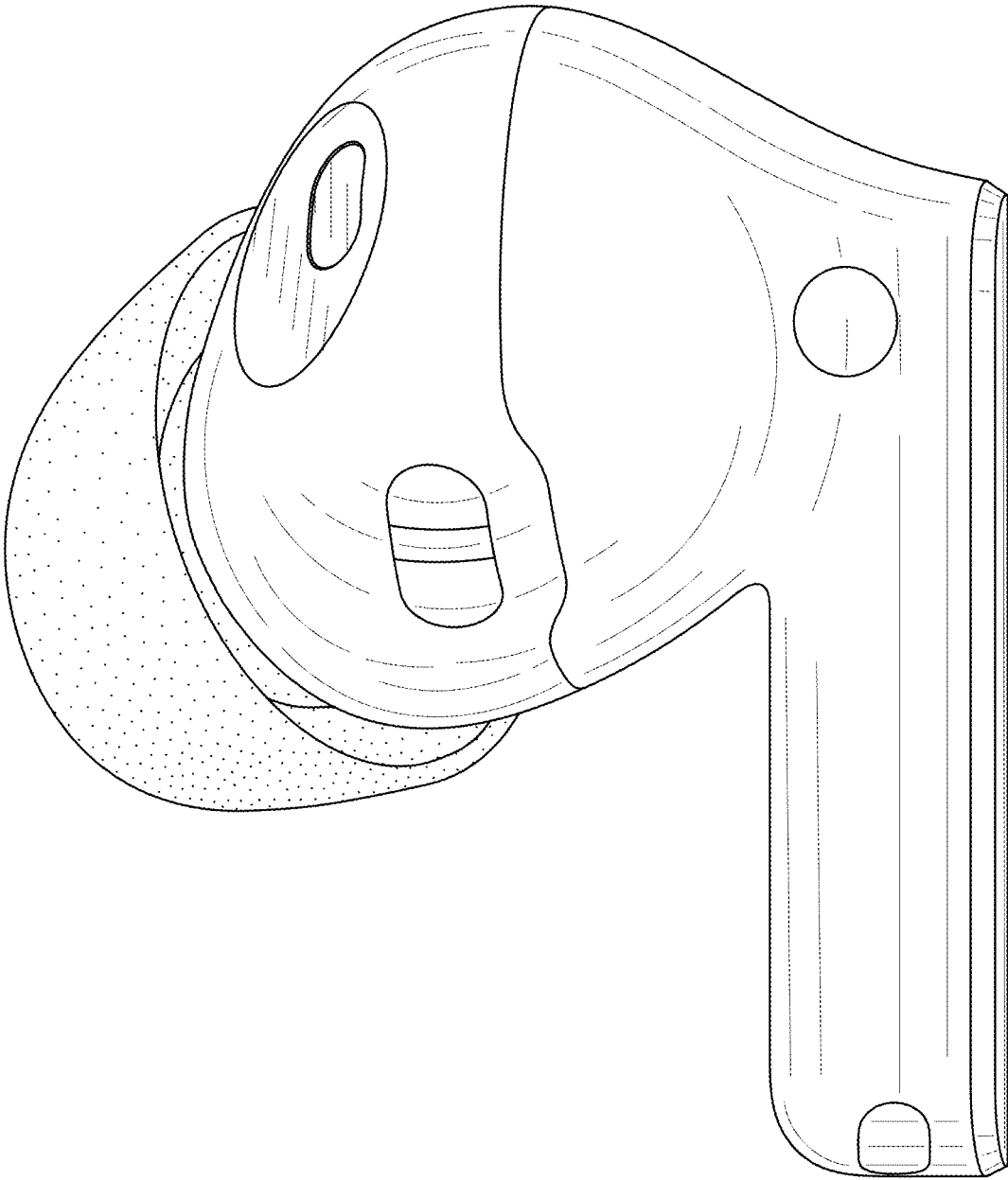


FIG. 6

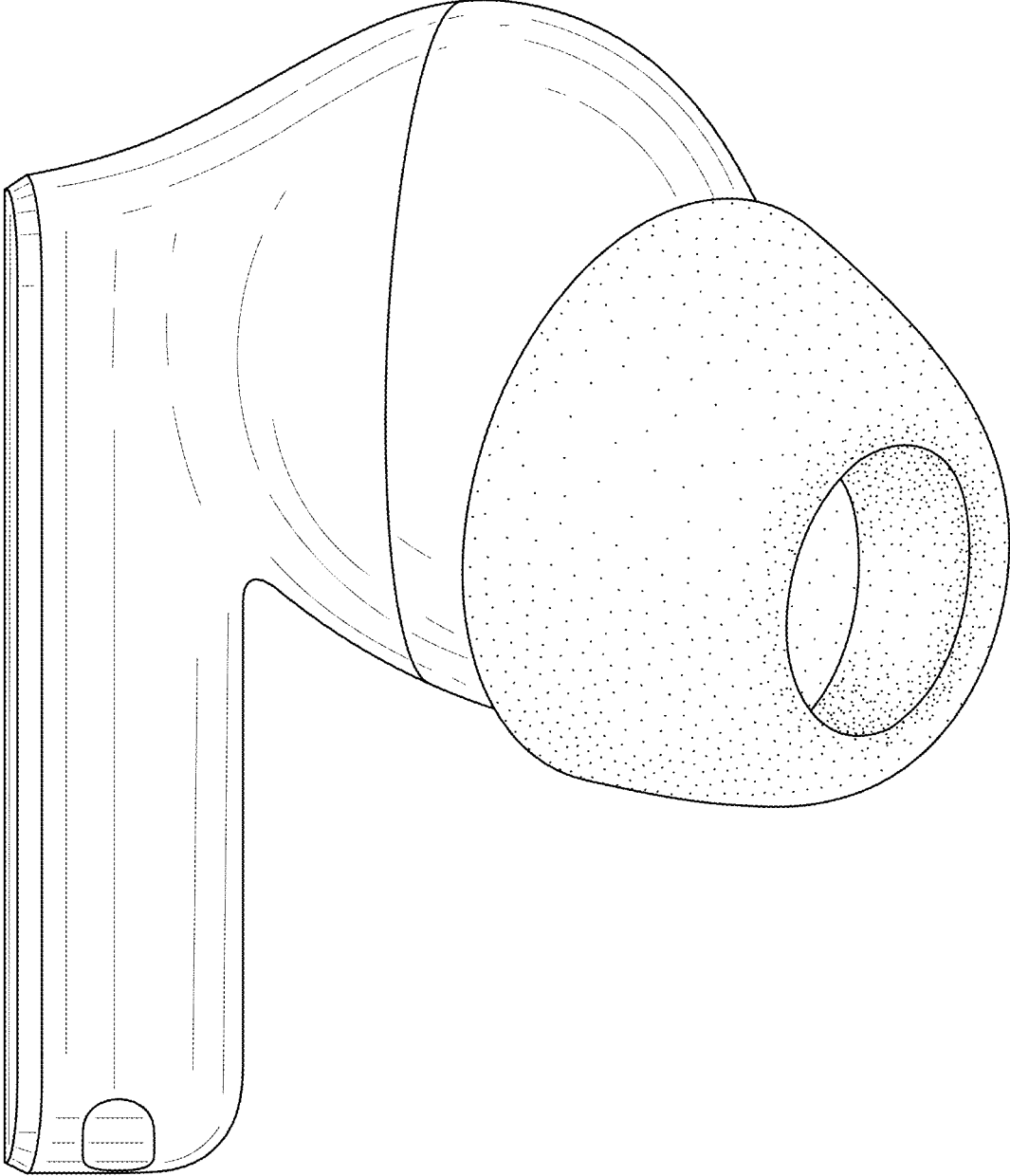


FIG. 7

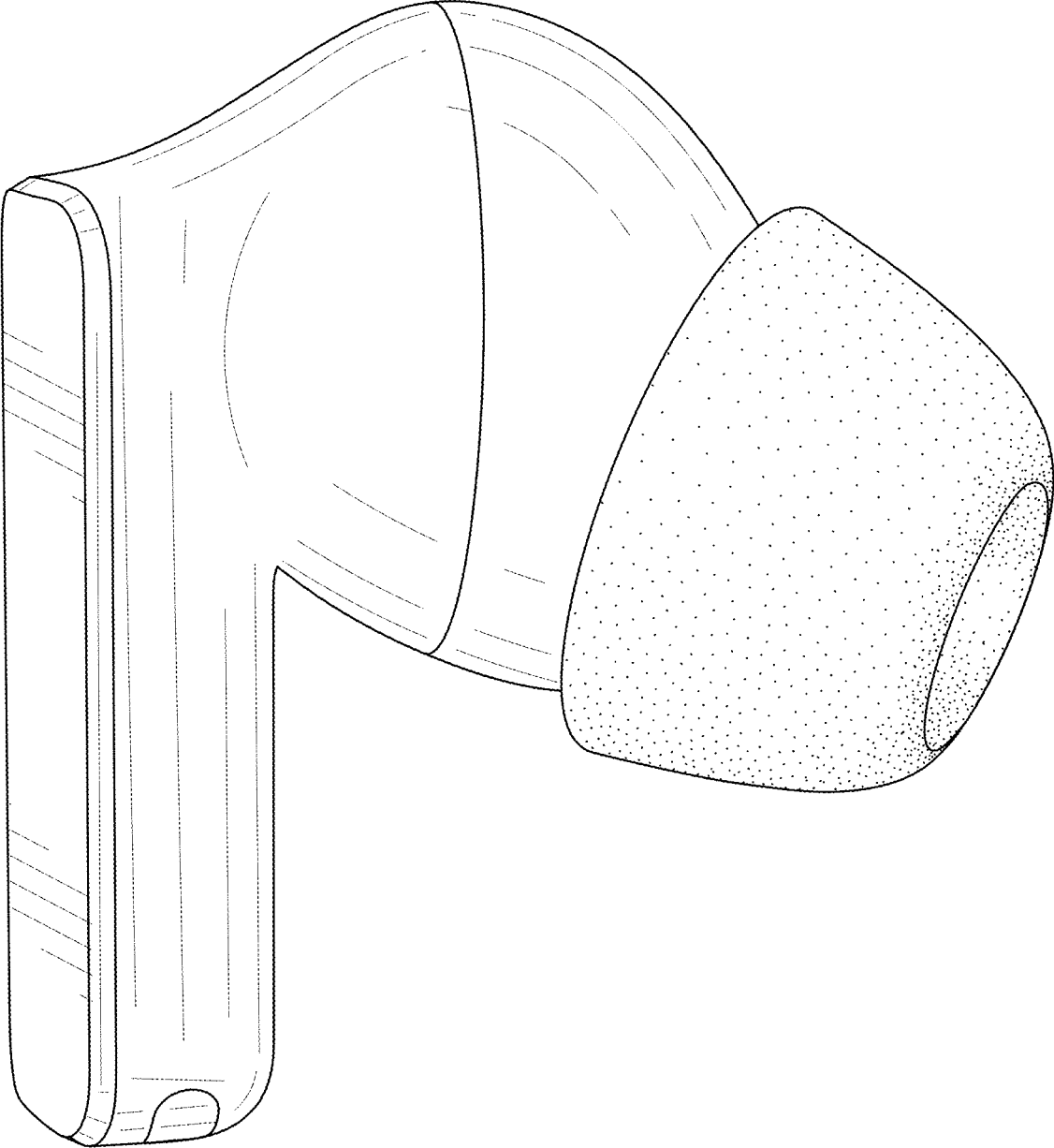


FIG. 8

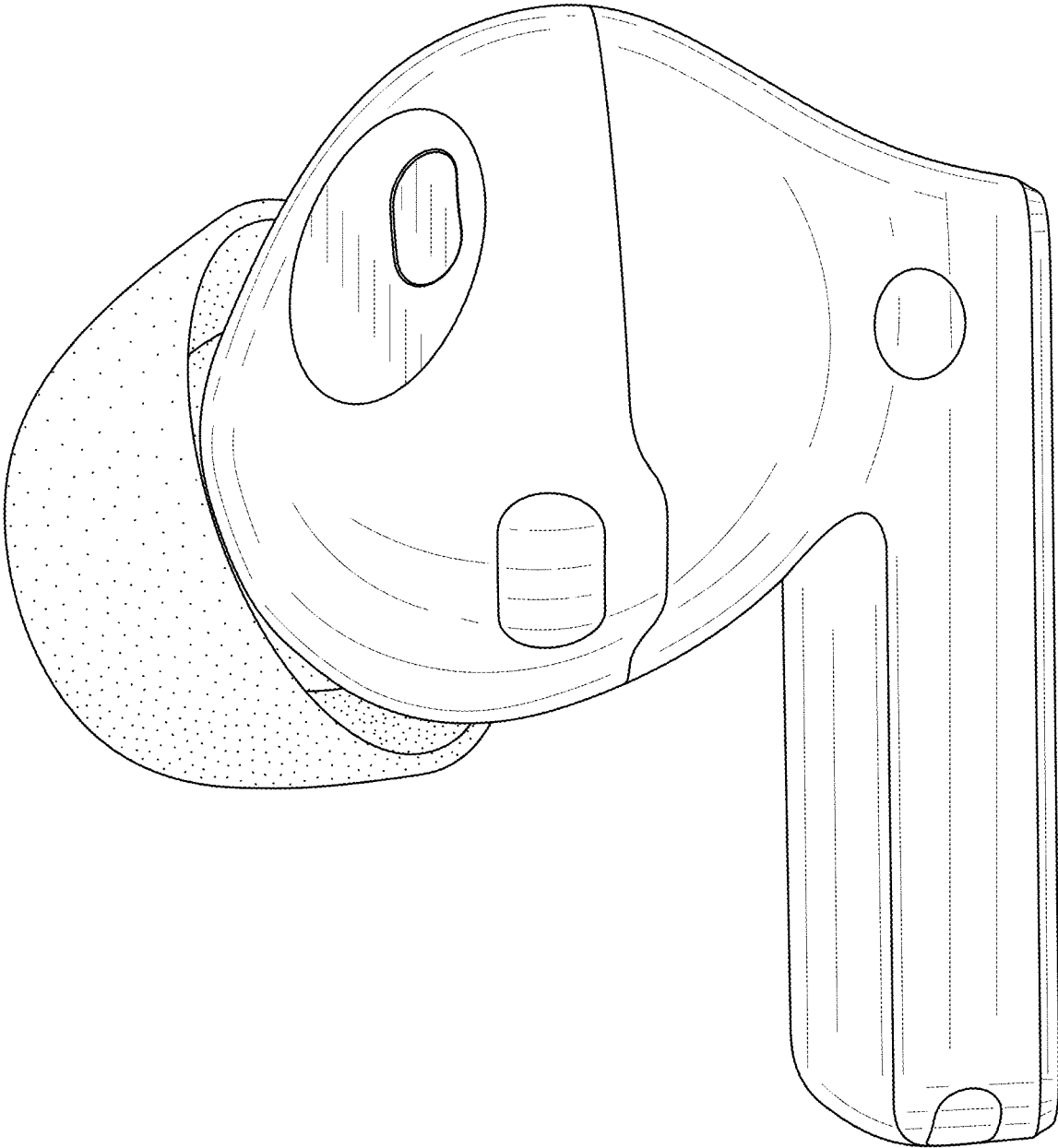


FIG. 9

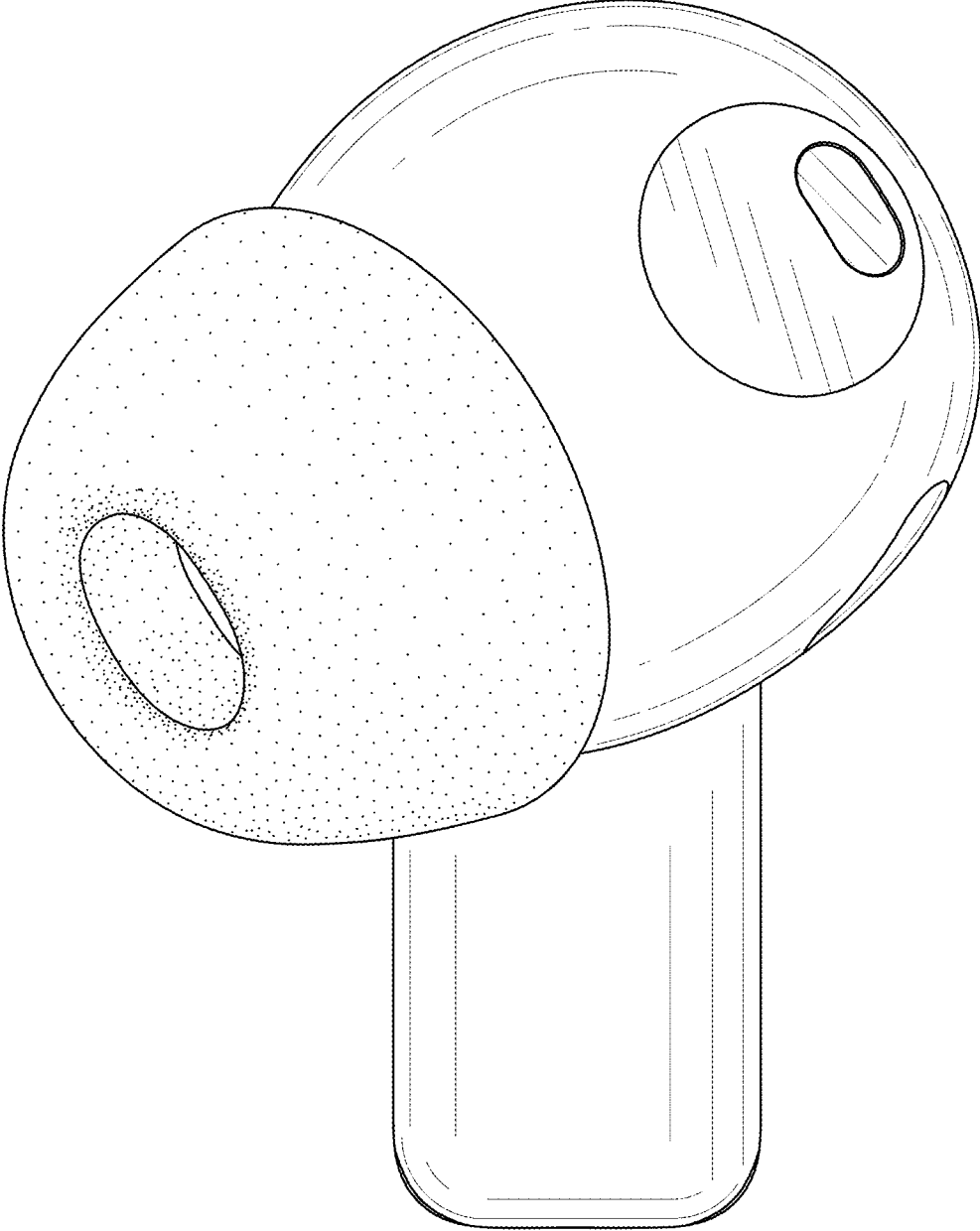


FIG. 10

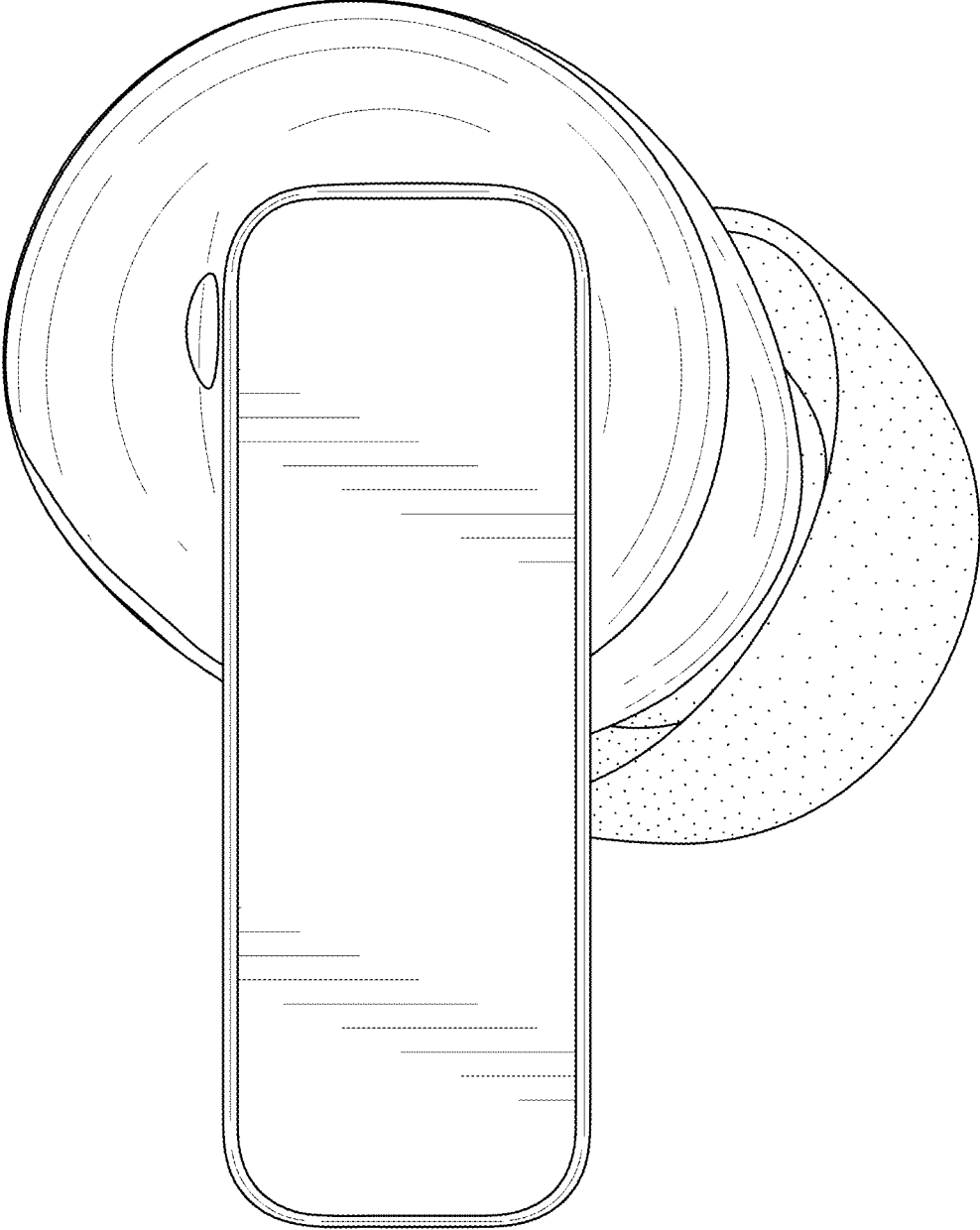


FIG. 11

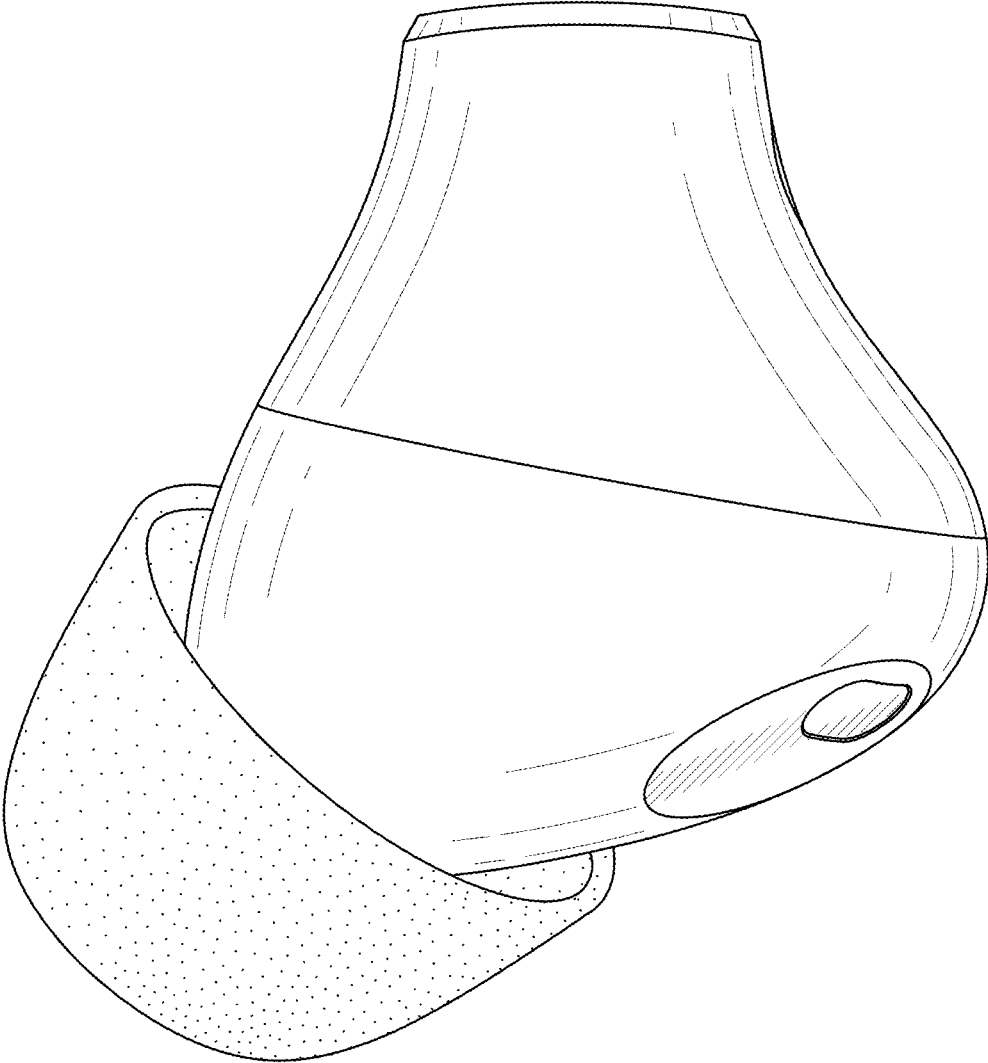


FIG. 12

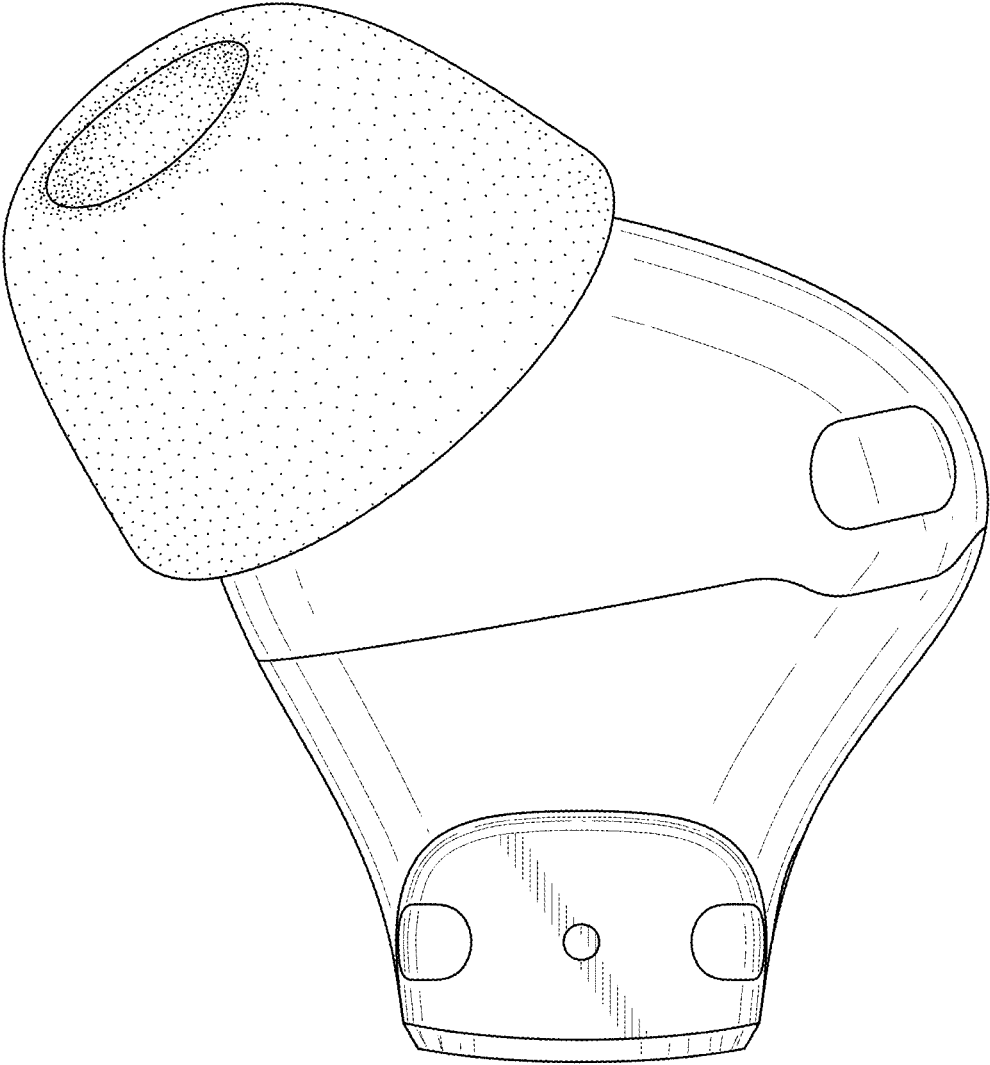


FIG. 13

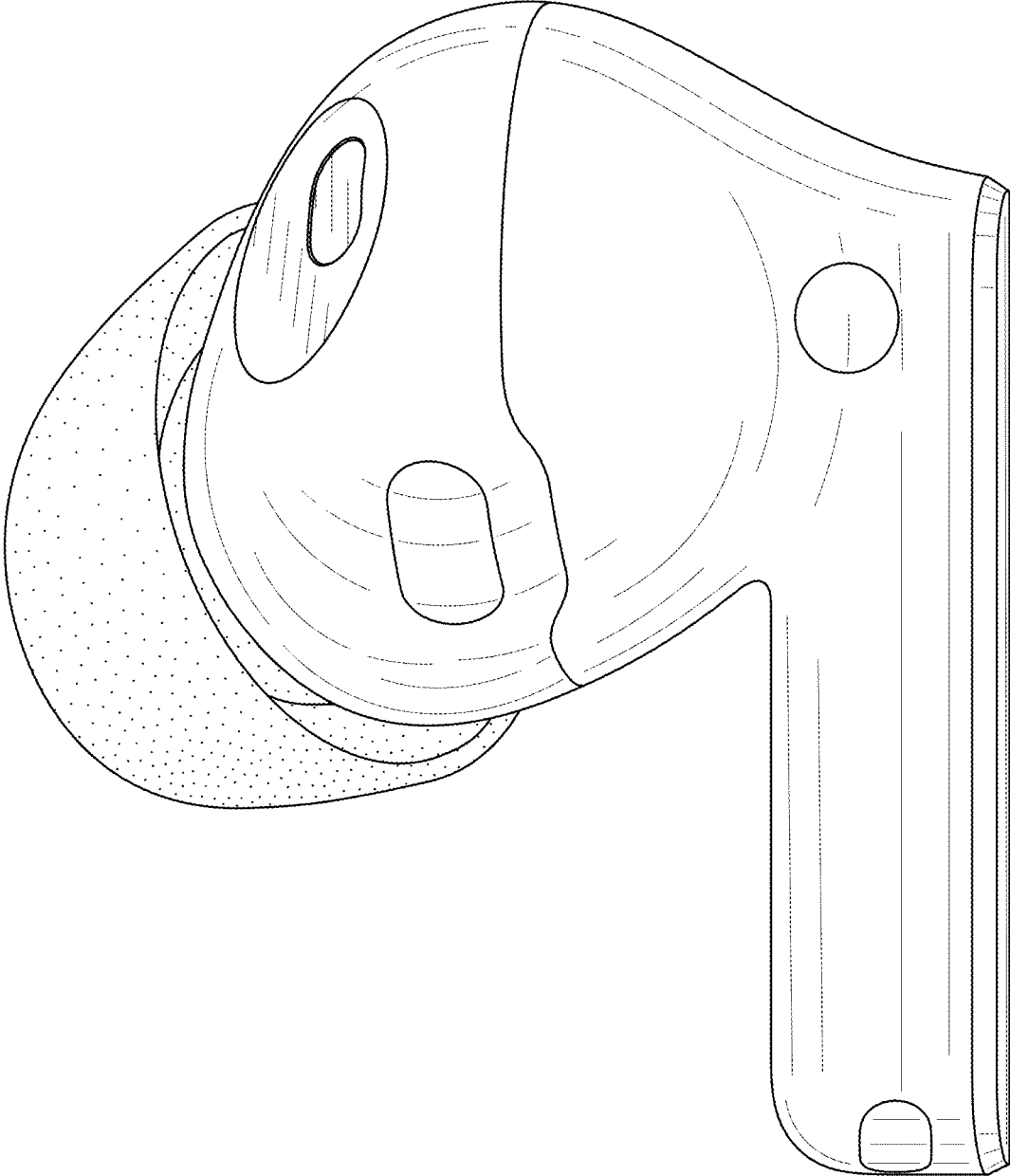


FIG. 14

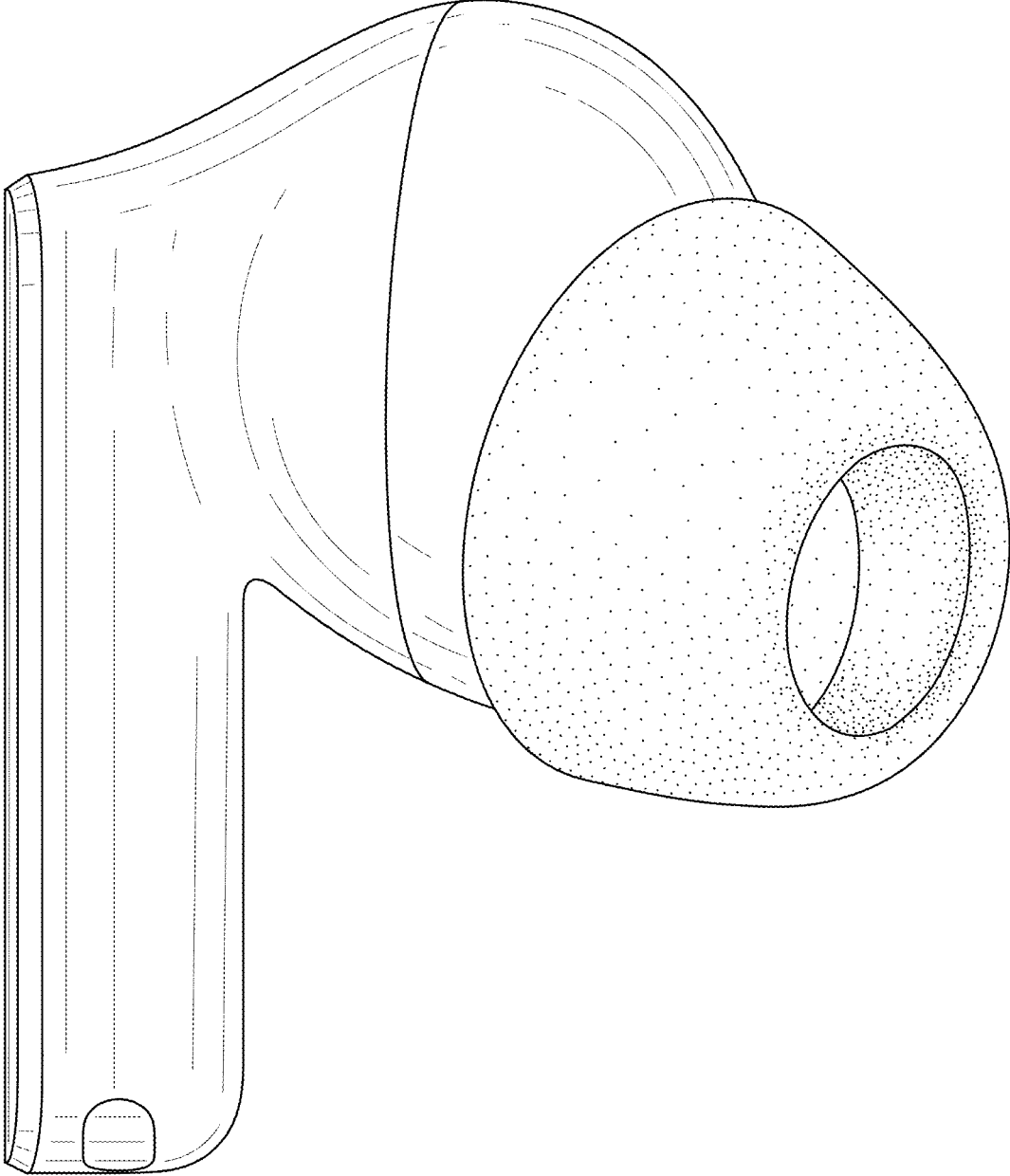


FIG. 15

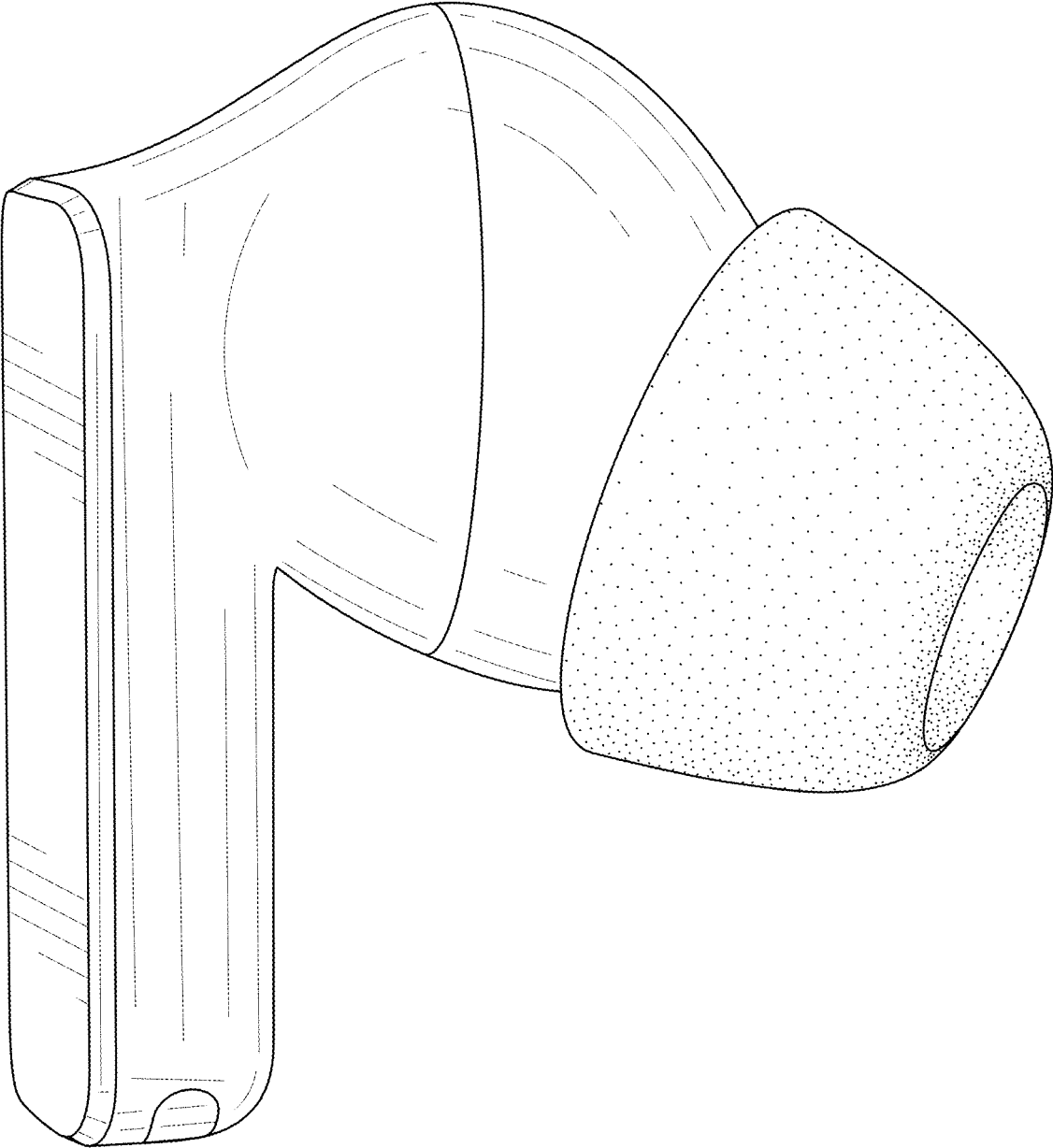


FIG. 16



FIG. 17



FIG. 18



FIG. 19



FIG. 20



FIG. 21



FIG. 22



FIG. 23



FIG. 24