



US00D943834S

(12) **United States Design Patent**
Sięgieńczuk

(10) **Patent No.:** **US D943,834 S**

(45) **Date of Patent:** **** Feb. 15, 2022**

- (54) **TACTICAL VEST**
- (71) Applicant: **Helikon-Tex Grzegorz Mieszczak**,
Wrocław (PL)
- (72) Inventor: **Piotr Siegieńczuk**, Wrocław (PL)
- (73) Assignee: **HELIKON-TEX GRZEGORZ**
MIESZCZAK, Wrocław (PL)
- (**) Term: **15 Years**
- (21) Appl. No.: **29/734,973**
- (22) Filed: **May 17, 2020**
- (51) **LOC (13) Cl.** **02-02**
- (52) **U.S. Cl.**
USPC **D29/101.4**
- (58) **Field of Classification Search**
USPC D29/100–101.5; D2/828, 829, 830, 716,
D2/728, 739, 759
CPC A41D 3/02; A41D 27/201; A41D 27/205;
A41D 1/04; A41D 13/00; A41D 13/0012;
A41D 13/0015; A41D 13/01; A41D
13/0518; A41D 13/0568; A41D 13/0575;
A41D 13/0593; A41D 13/005; A41D
13/04; A41D 13/05; A61F 7/00; F41H
1/02

See application file for complete search history.

(56) **References Cited**

U.S. PATENT DOCUMENTS

- 7,047,570 B2 * 5/2006 Johnson F41H 1/02
2/102
- 7,424,748 B1 * 9/2008 McDunn F41H 5/013
2/2.5
- D602,205 S * 10/2009 Thomas D29/101.4
- 7,979,917 B2 * 7/2011 Osborne F41H 1/02
2/2.5
- 7,987,523 B2 * 8/2011 Cole A45F 5/00
2/102

- 8,365,312 B2 * 2/2013 Herring F41H 1/02
2/2.5
- 8,418,265 B1 * 4/2013 Storms, Jr F41H 1/02
2/102
- 8,533,862 B2 * 9/2013 Khandelwal F41H 1/02
2/2.5
- 8,608,041 B1 * 12/2013 Adkisson B32B 5/24
224/651
- D767,824 S * 9/2016 Hilliard D29/100
- D777,378 S * 1/2017 Tien D29/101.4
- D802,885 S * 11/2017 DeWeever D2/829
- 9,851,181 B2 * 12/2017 Beck A41D 1/04
- D808,594 S * 1/2018 Tien D29/101.4
- 10,051,984 B2 * 8/2018 Buerck A47G 25/90
- 10,231,533 B2 * 3/2019 Vaughan A45F 3/06
- 10,281,240 B2 * 5/2019 Cole F41H 1/02
- D854,251 S * 7/2019 Swan D29/101.4
- 10,466,015 B2 * 11/2019 Richardson F41H 5/013
- D873,494 S * 1/2020 Preisinger D29/101.4
- D880,073 S * 3/2020 Groat D29/101.4
- 10,605,574 B2 * 3/2020 Swan A45F 3/06

(Continued)

Primary Examiner — Kimberly Barnes

(74) *Attorney, Agent, or Firm* — Andrzej Malarz, Esq.

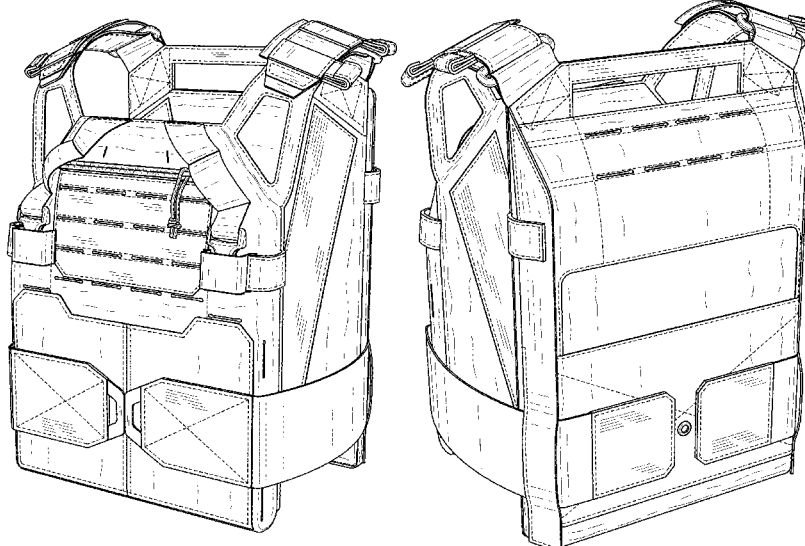
(57) **CLAIM**

The ornamental design for a tactical vest, as shown and described.

DESCRIPTION

FIG. 1 is a front elevational view of a tactical vest showing my new design;
 FIG. 2 is a rear elevational view thereof;
 FIG. 3 is a right side elevational view thereof;
 FIG. 4 is a left side elevational view thereof;
 FIG. 5 is a top plan view thereof;
 FIG. 6 is a bottom plan view thereof;
 FIG. 7 is a front, left side perspective view thereof; and,
 FIG. 8 is a rear left side perspective view thereof.
 The broken lines in the drawings depict stitching that forms no part of the claimed design.

1 Claim, 8 Drawing Sheets



(56)

References Cited

U.S. PATENT DOCUMENTS

10,616,534	B2 *	4/2020	Thiel	A41D 13/0012
10,788,293	B2 *	9/2020	Beck	F41H 5/0478
2012/0084906	A1 *	4/2012	Sego, Jr	F41H 1/02
				2/463
2012/0132066	A1 *	5/2012	Seuk	F41H 1/02
				89/36.05
2012/0180178	A1 *	7/2012	Gallo	F41H 1/02
				2/2.5

* cited by examiner

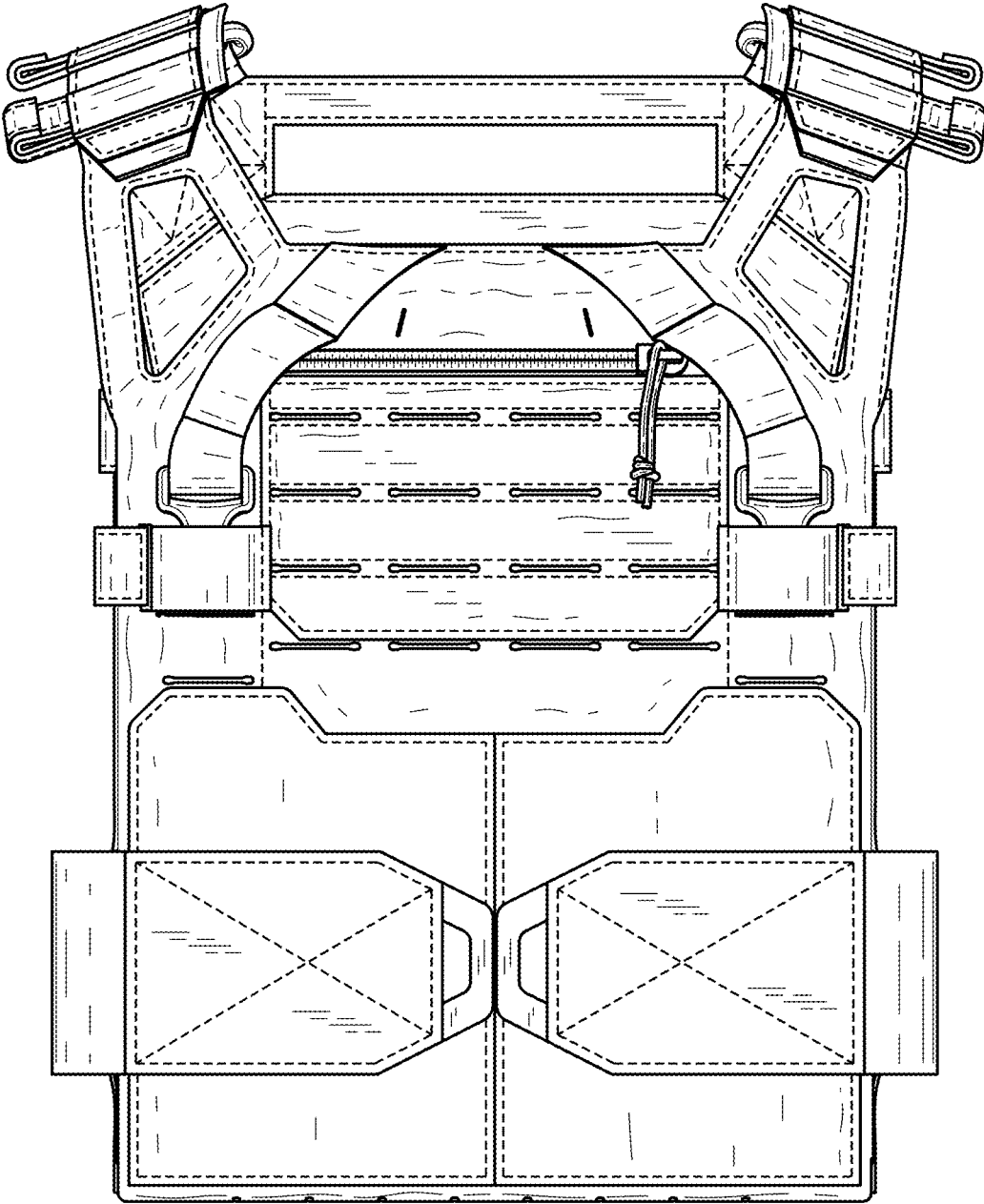


FIG.1

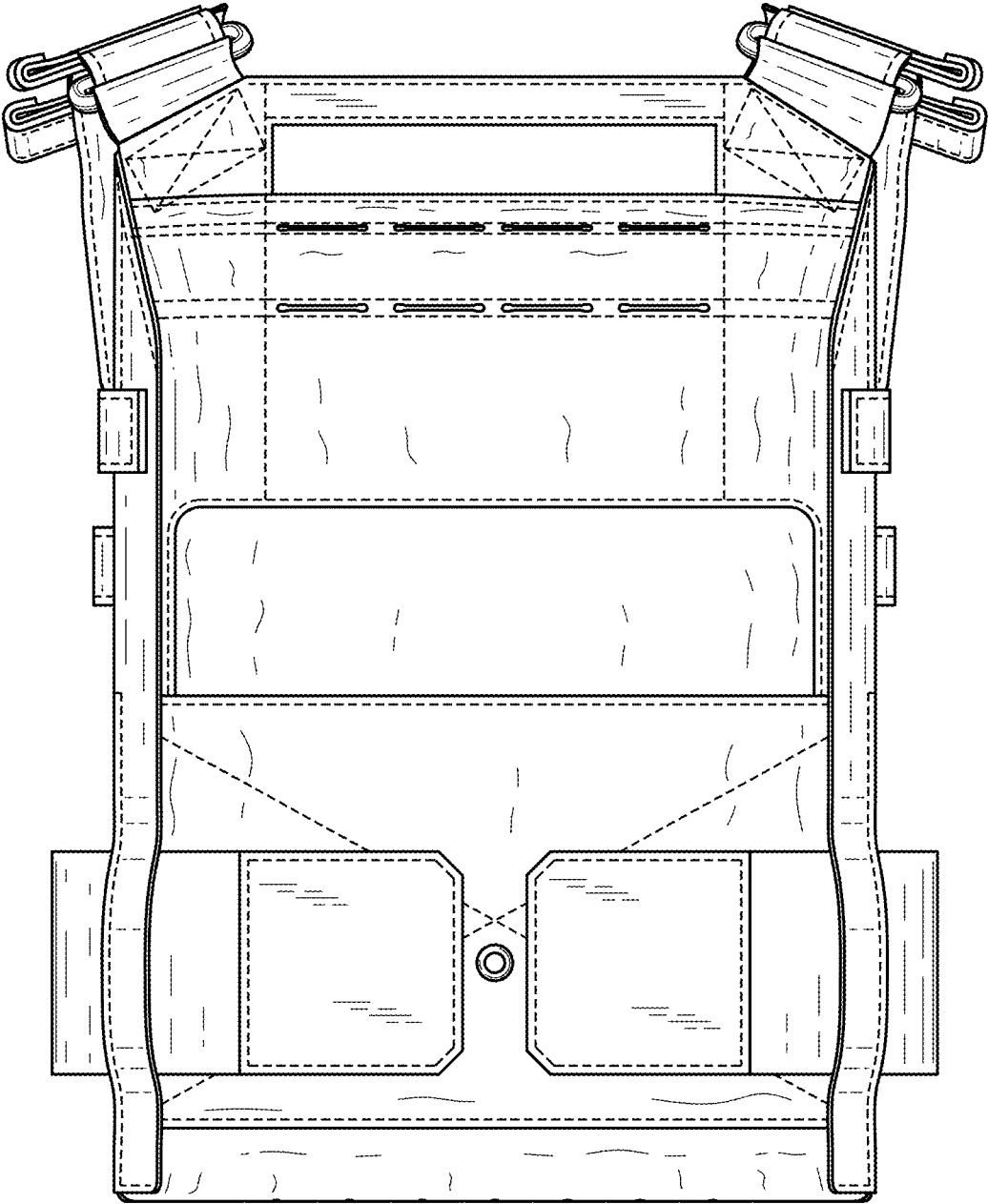


FIG.2

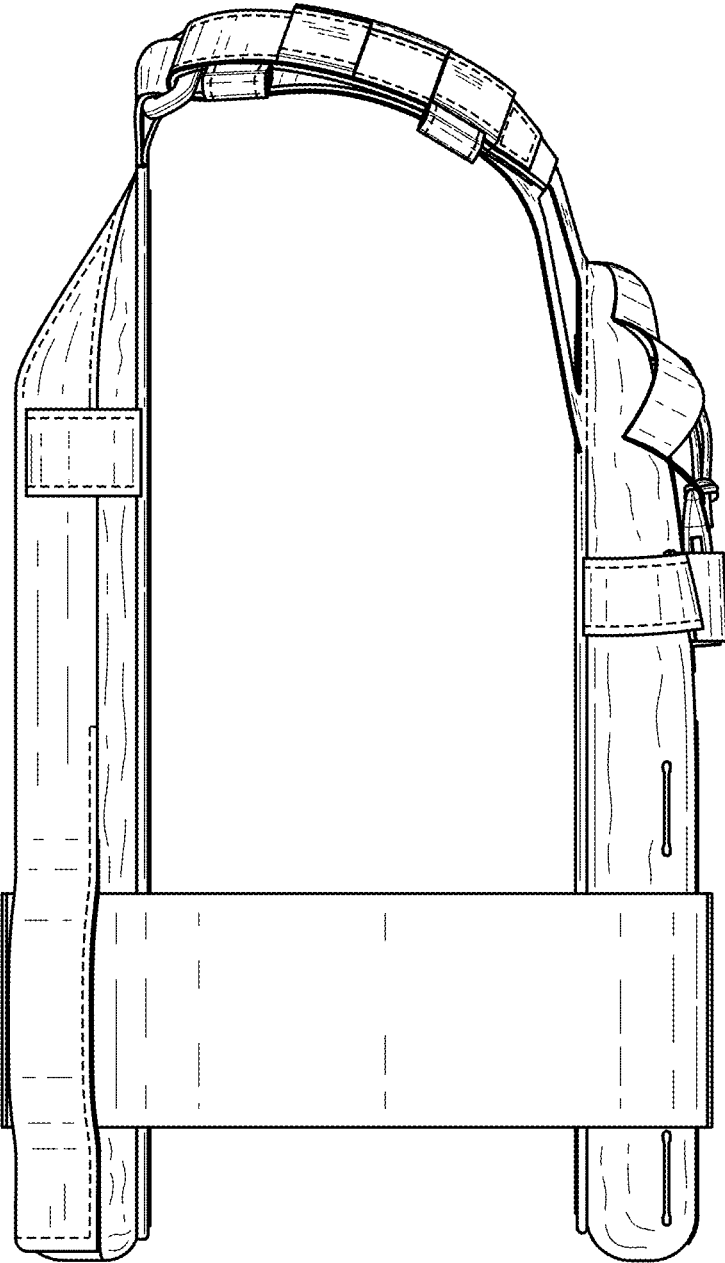


FIG.3

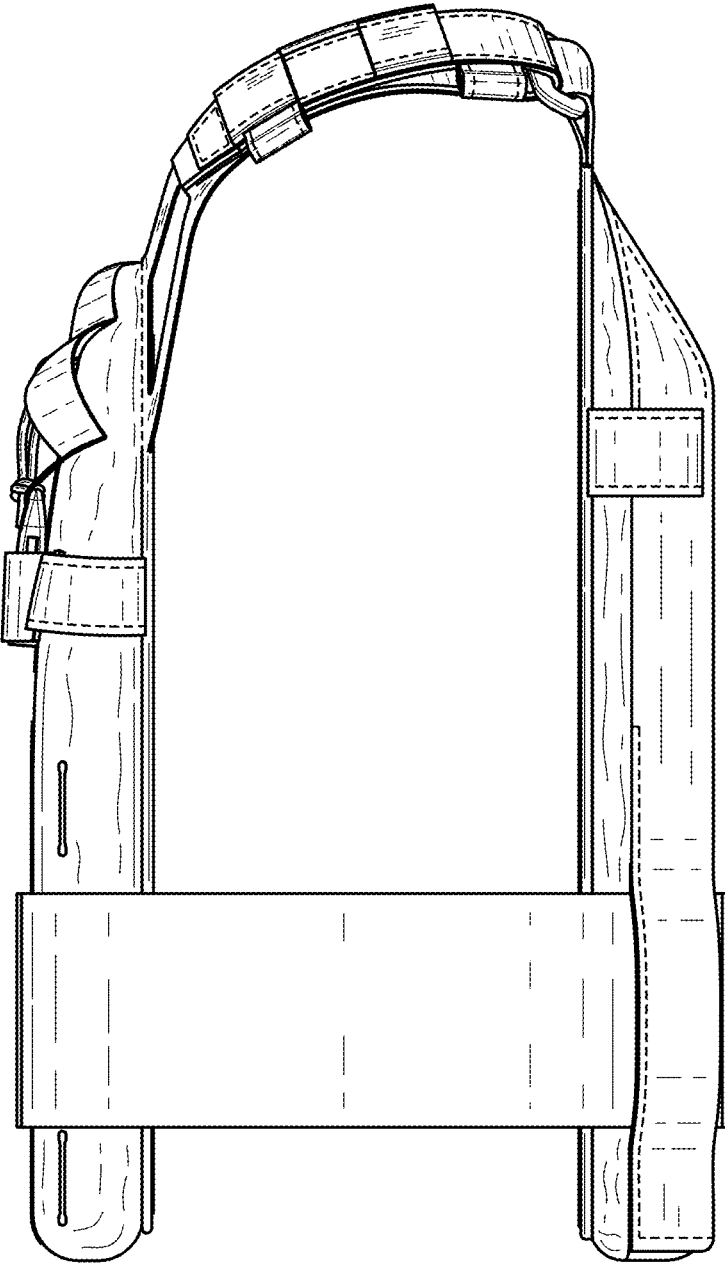


FIG.4

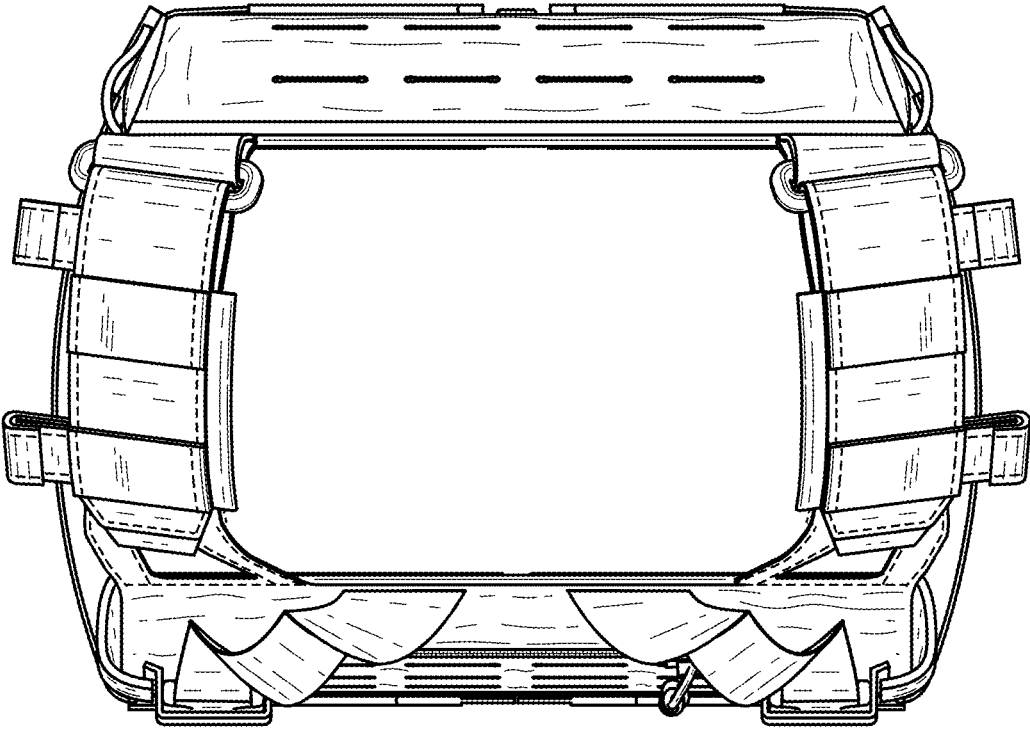


FIG.5

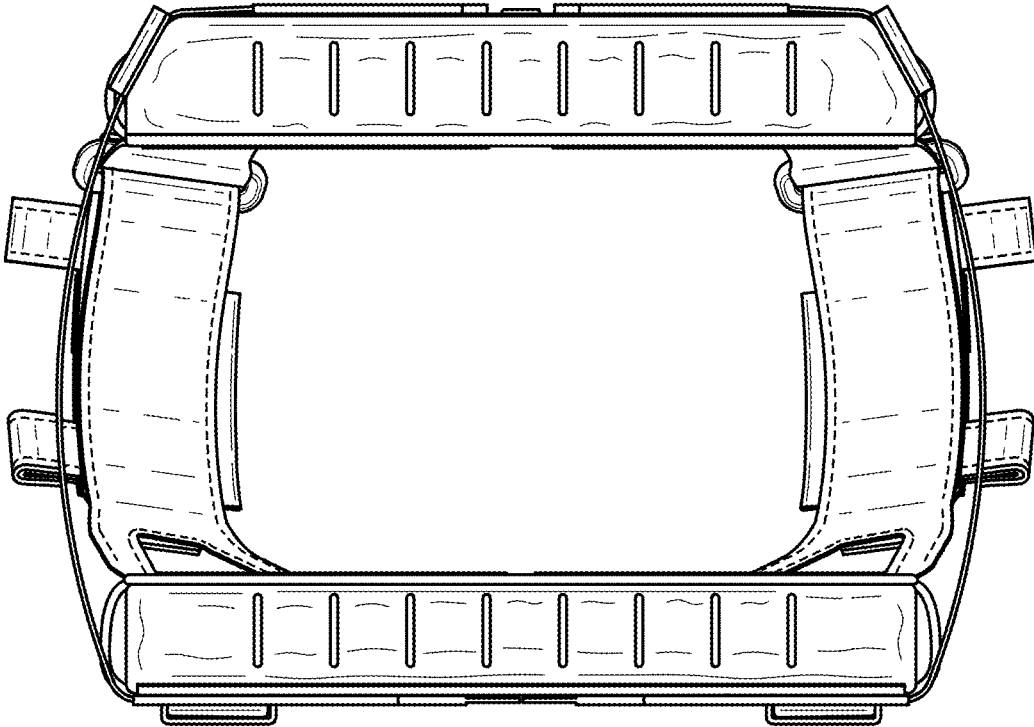


FIG.6

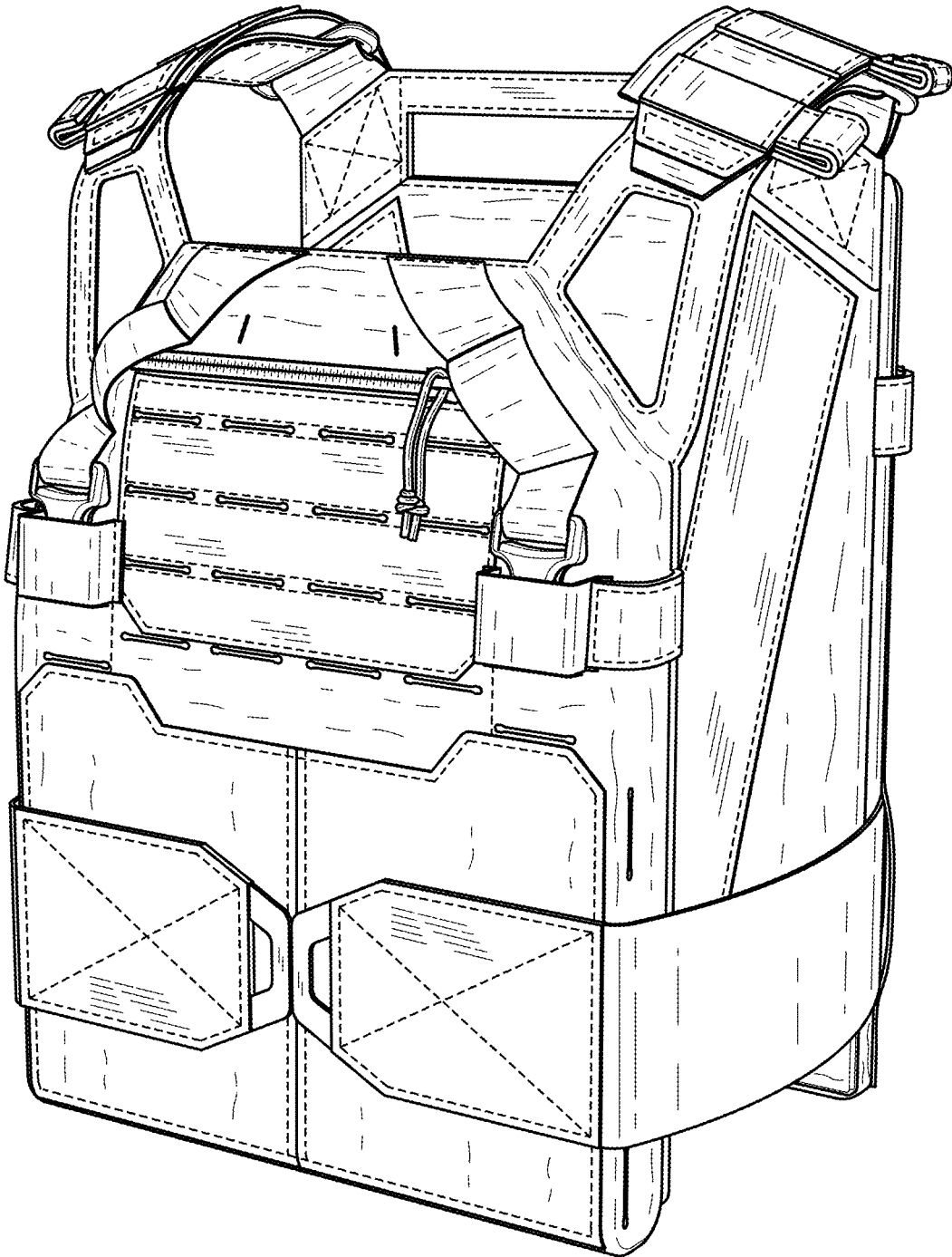


FIG.7

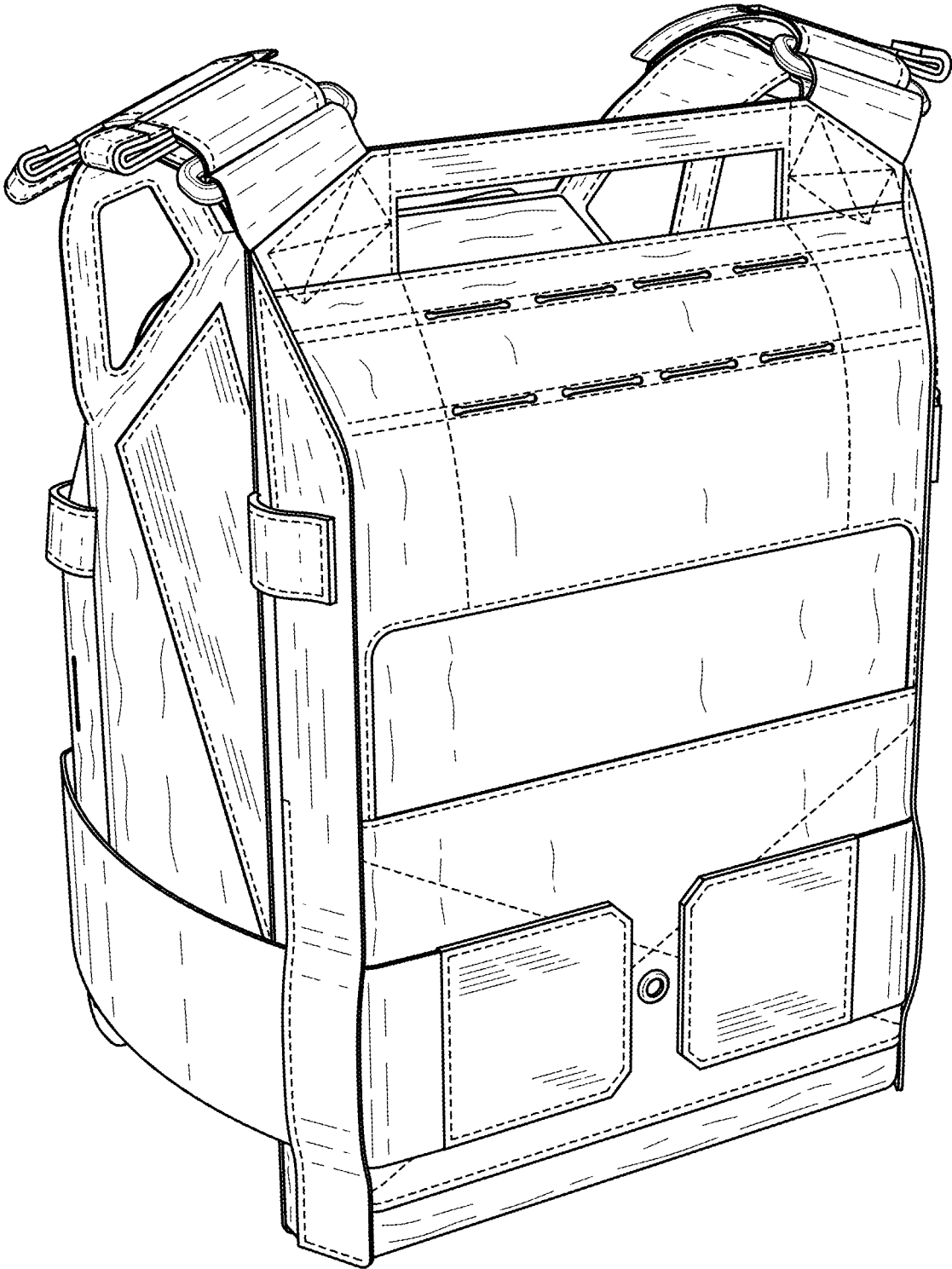


FIG.8