



US00D870783S

(12) **United States Design Patent**
Son

(10) **Patent No.:** **US D870,783 S**

(45) **Date of Patent:** **** Dec. 24, 2019**

(54) **CUTTING INSERT**

(71) Applicant: **TaeguTec, Ltd.**, Gachang-ro,
Gachang-myeon, Dalseong-gun, Daegu
(KR)

(72) Inventor: **Hee Yun Son**, Daegu (KR)

(73) Assignee: **TaeguTec, Ltd.**, Dalseong-gun, Daegu
(KR)

(**) Term: **15 Years**

(21) Appl. No.: **29/656,377**

(22) Filed: **Jul. 12, 2018**

(30) **Foreign Application Priority Data**

Jun. 7, 2018 (KR) 30-2018-0026336

(51) **LOC (12) Cl.** **15-09**

(52) **U.S. Cl.**
USPC **D15/139**

(58) **Field of Classification Search**
USPC D8/86, 70; D15/138, 139, 140
CPC E23B 51/00; E21B 10/54; E21B 10/55;
E21B 10/567; E21B 10/5673; E21B
10/602

See application file for complete search history.

(56) **References Cited**

U.S. PATENT DOCUMENTS

D515,115 S *	2/2006	Sollami	D15/139
D531,649 S *	11/2006	Sollami	D15/139
7,419,337 B2	9/2008	Berminge		
D579,470 S *	10/2008	Maeta	D15/139
D595,322 S *	6/2009	Sakata	D15/139
D595,323 S *	6/2009	Sakata	D15/139

D638,041 S *	5/2011	Saito	D15/139
D647,116 S *	10/2011	Omi	D15/139
D688,716 S *	8/2013	Lampe	D15/139
D700,640 S *	3/2014	Choi	D15/139
D735,254 S *	7/2015	O'Malley	D15/139
D736,841 S *	8/2015	Jung	D15/139
D755,267 S *	5/2016	Lee	D15/139
D772,319 S *	11/2016	Nam	D15/139
D778,330 S *	2/2017	Fang	D15/139
D794,102 S *	8/2017	Ryu	D15/139
D804,552 S *	12/2017	Lee	D15/139
D805,564 S *	12/2017	Lee	D15/139
D807,935 S *	1/2018	Dudzinsky	B23C 5/2221 D15/139
D815,165 S *	4/2018	Morisaki	D15/139
D818,016 S *	5/2018	Yoshida	D15/139
D822,077 S *	7/2018	Takahashi	D15/139
D822,731 S *	7/2018	Yoshida	D15/139
2011/0110733 A1	5/2011	Hecht		
2014/0072379 A1	3/2014	Hecht		
2014/0199128 A1	7/2014	Hecht		
2014/0348601 A1	11/2014	Hecht		

* cited by examiner

Primary Examiner — Darlington Ly

(74) *Attorney, Agent, or Firm* — Womble Bond Dickinson
(US) LLP

(57) **CLAIM**

The ornamental design for a cutting insert, as shown and described.

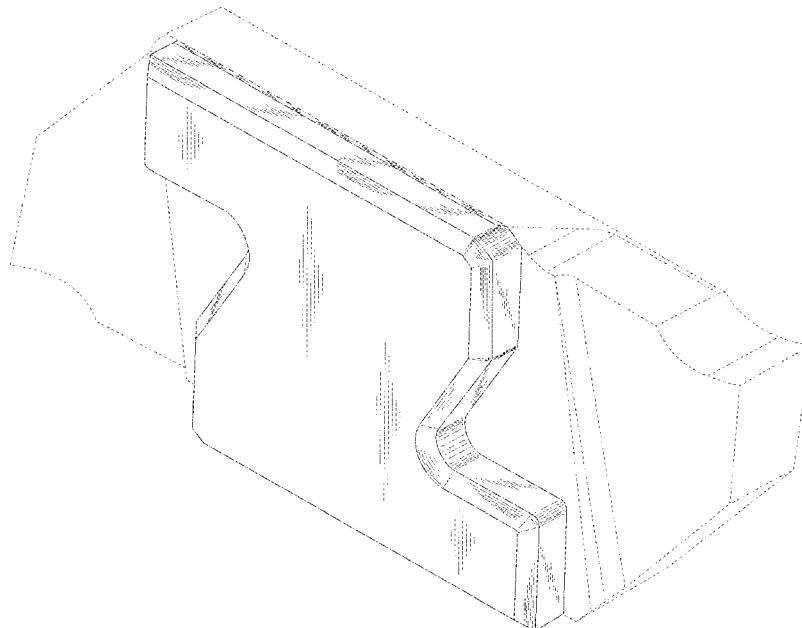
DESCRIPTION

FIG. 1 is a perspective view of a cutting insert showing my new design; and,

FIG. 2 is a front elevation view thereof.

The dash-dash broken line showing portions of the cutting insert and dash-dot broken line showing boundaries do not form part of the claimed design.

1 Claim, 2 Drawing Sheets



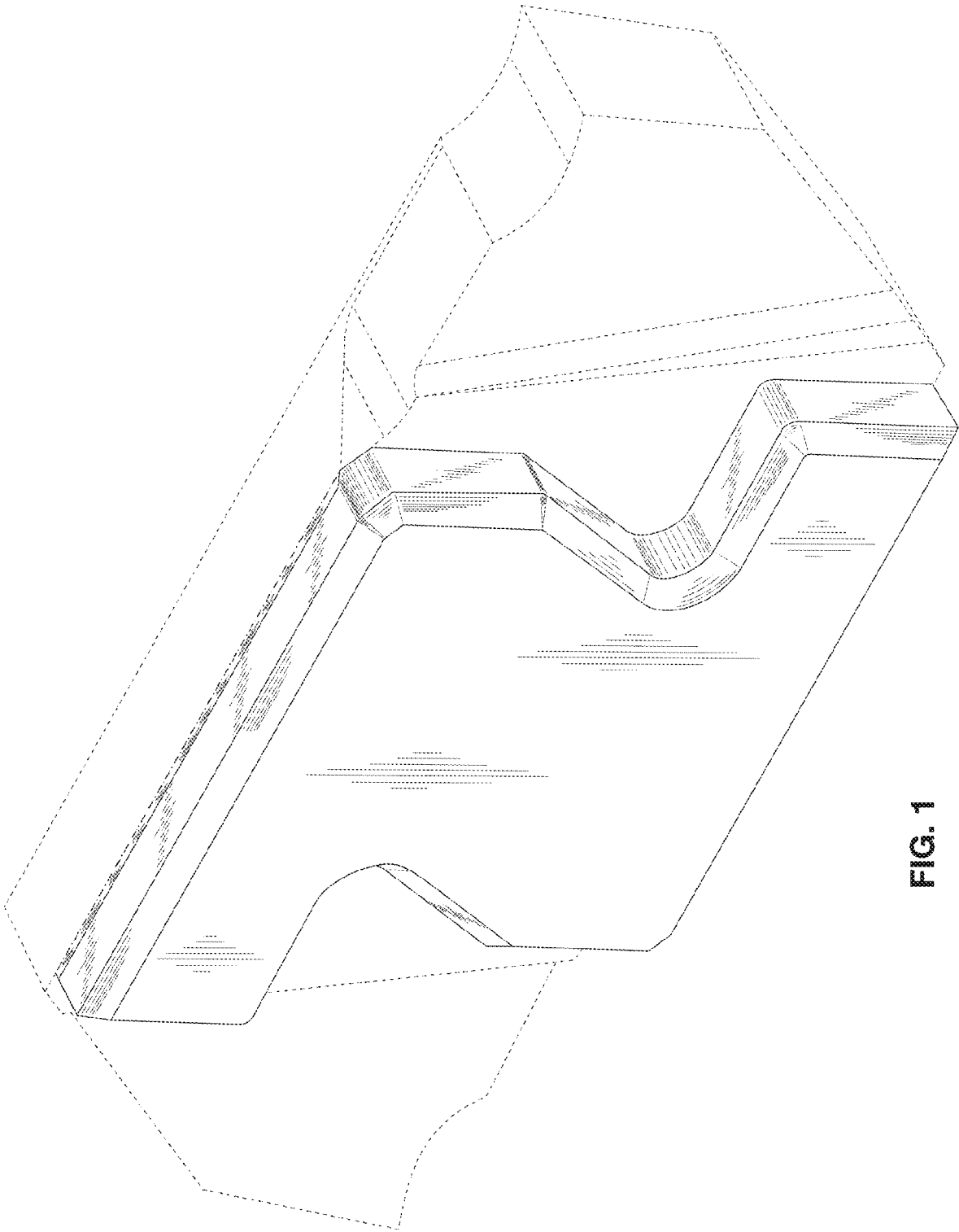


FIG. 1

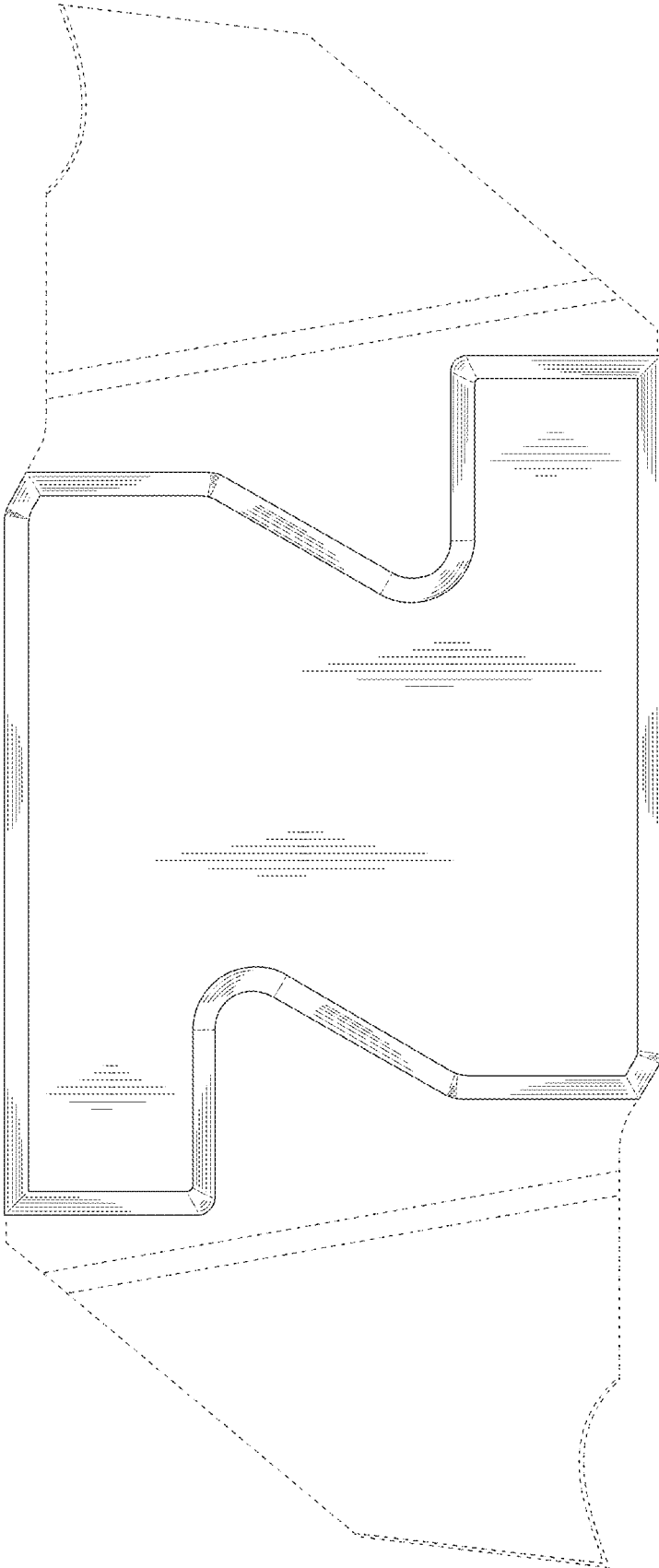


FIG. 2