



US00D609840S

(12) **United States Design Patent**
Tang

(10) **Patent No.:** **US D609,840 S**

(45) **Date of Patent:** **** Feb. 9, 2010**

(54) **MULTIFUNCTIONAL LAMP**

(76) Inventor: **Shih-Chuan Tang**, No. 10 South Industrial Ave., XiaoLan Town, ZhongShan City, GuangDong Province (CN)

(**) Term: **14 Years**

(21) Appl. No.: **29/335,869**

(22) Filed: **Apr. 23, 2009**

(51) **LOC (9) Cl.** **26-05**

(52) **U.S. Cl.** **D26/74**

(58) **Field of Classification Search** D26/24, D26/36, 59, 72, 74, 118, 120, 131, 152; 362/147, 362/364-365, 374, 433, 478, 485; 52/22, 52/200, 205

See application file for complete search history.

(56) **References Cited**

U.S. PATENT DOCUMENTS

- D39,564 S * 9/1908 Estep D26/24
- 4,290,098 A * 9/1981 Pierson 362/485
- D380,852 S * 7/1997 Lecluze D26/118
- D383,564 S * 9/1997 Lecluze D26/118
- D399,590 S * 10/1998 Lecluze D26/118
- D474,298 S * 5/2003 Lecluze D26/74
- D474,299 S * 5/2003 Lecluze D26/74

- D476,108 S * 6/2003 Lecluze D26/74
- D547,483 S * 7/2007 Pickett D26/89
- D562,489 S * 2/2008 Rashidi D26/74

* cited by examiner

Primary Examiner—Philip S Hyder
Assistant Examiner—Susan E Krakower
(74) *Attorney, Agent, or Firm*—Thomas, Kayden, Horstemeyer & Risley, LLP

(57) **CLAIM**

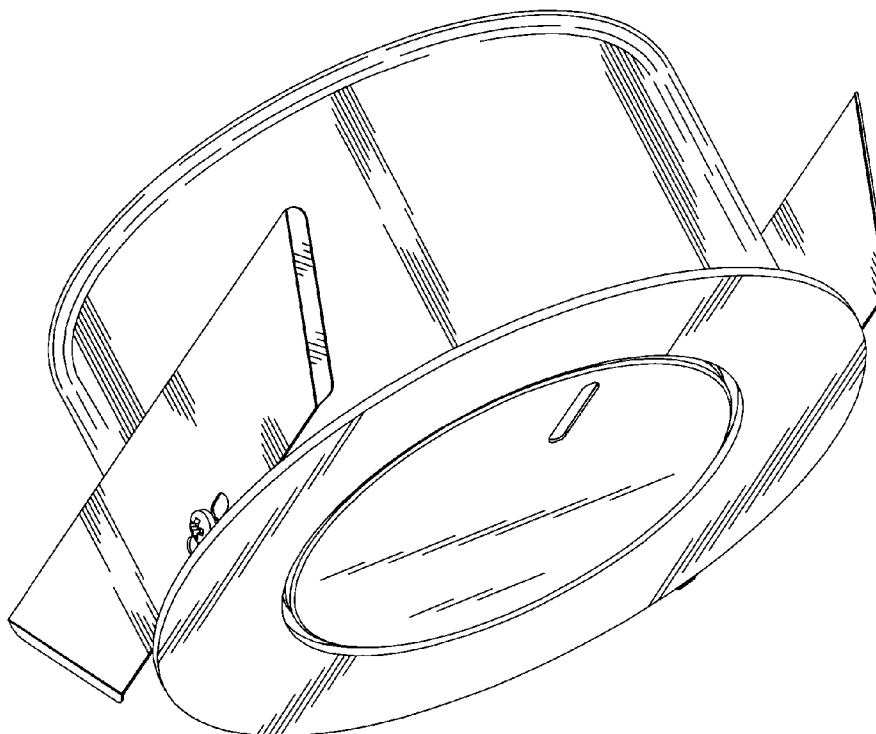
The ornamental design for a multifunctional lamp, as shown and described.

DESCRIPTION

FIG. 1 is a perspective view of the multifunctional lamp showing my new design;
FIG. 2 is a bottom plan view thereof;
FIG. 3 is a left elevation view thereof;
FIG. 4 is a right elevation view thereof;
FIG. 5 is a front elevational view thereof;
FIG. 6 is a rear elevational view thereof; and,
FIG. 7 is a top plan view thereof.

The portions of the disclosure shown in broken lines form no part of the claimed design.

1 Claim, 7 Drawing Sheets



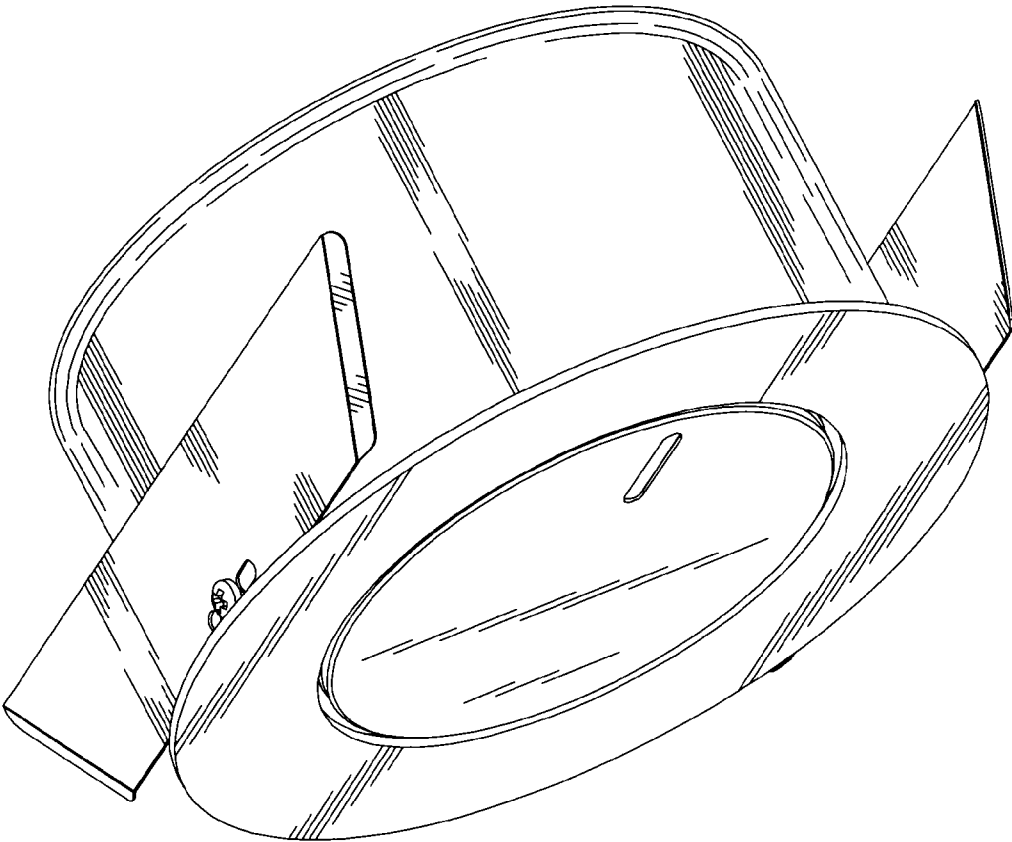


FIG. 1

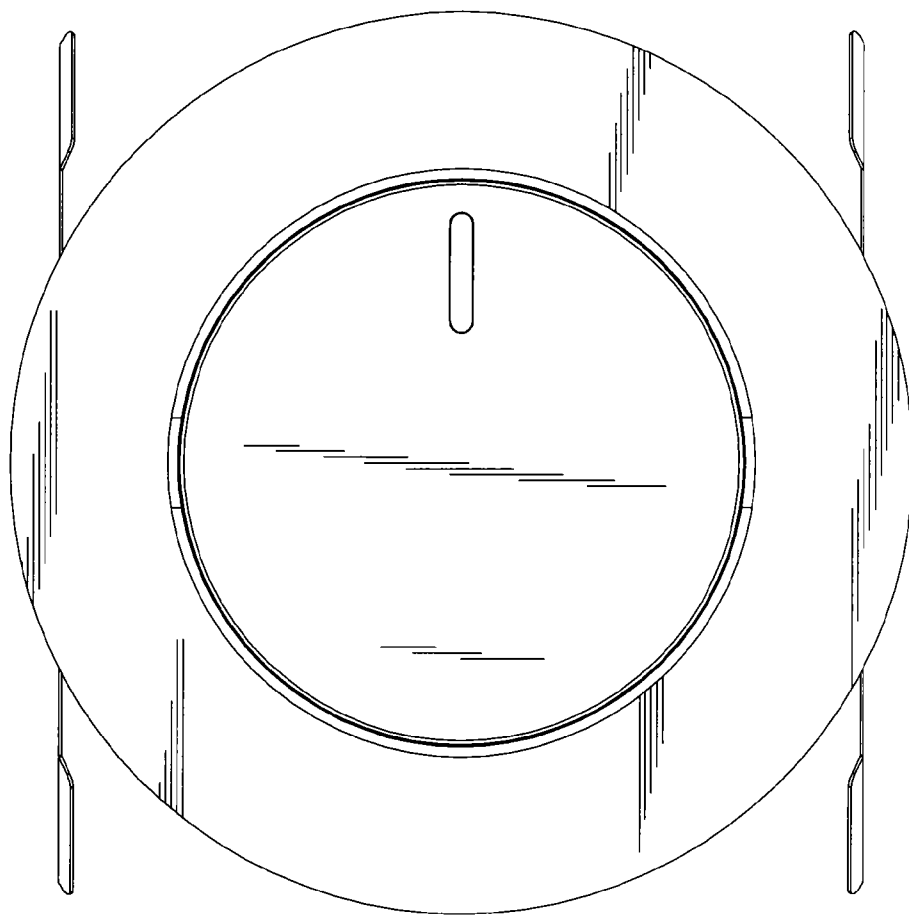


FIG. 2

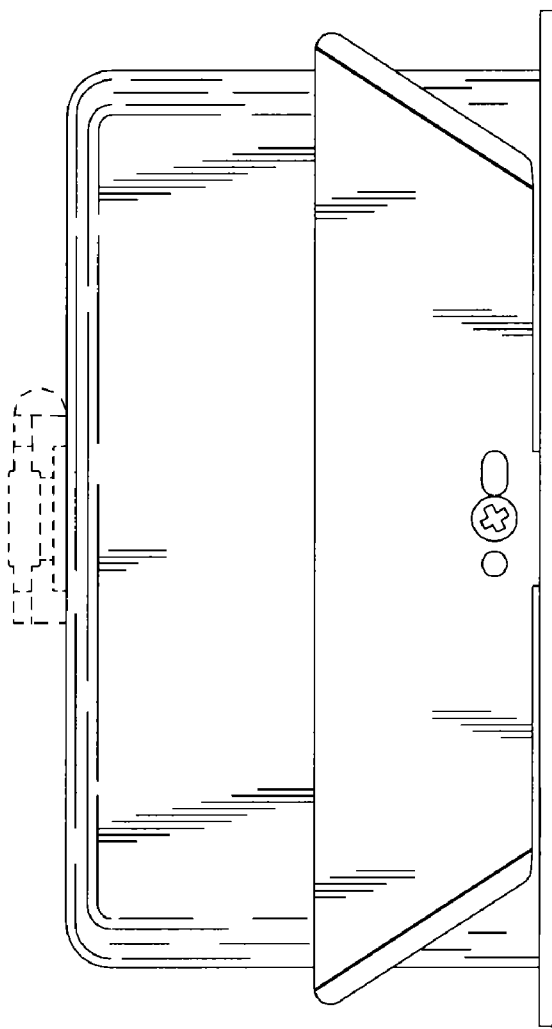


FIG. 3

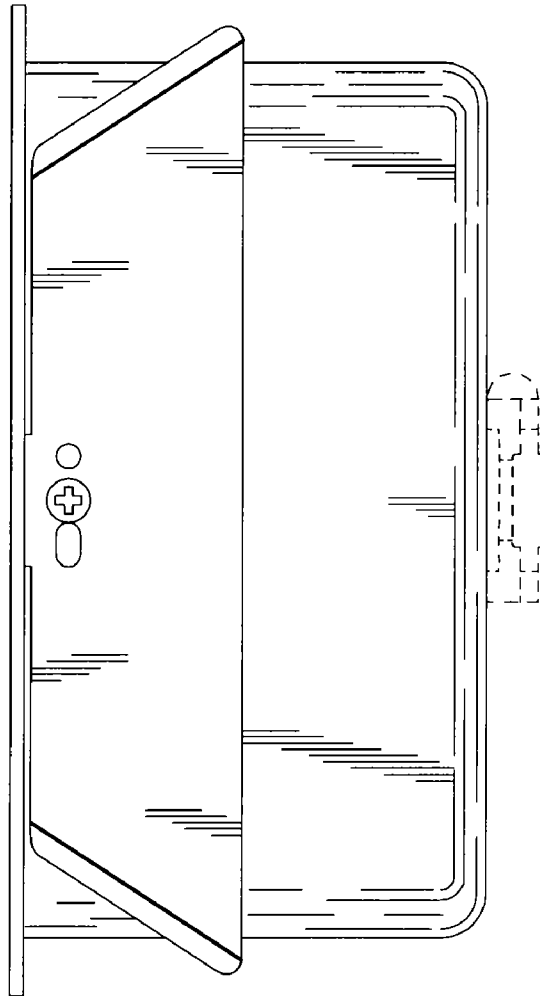


FIG. 4

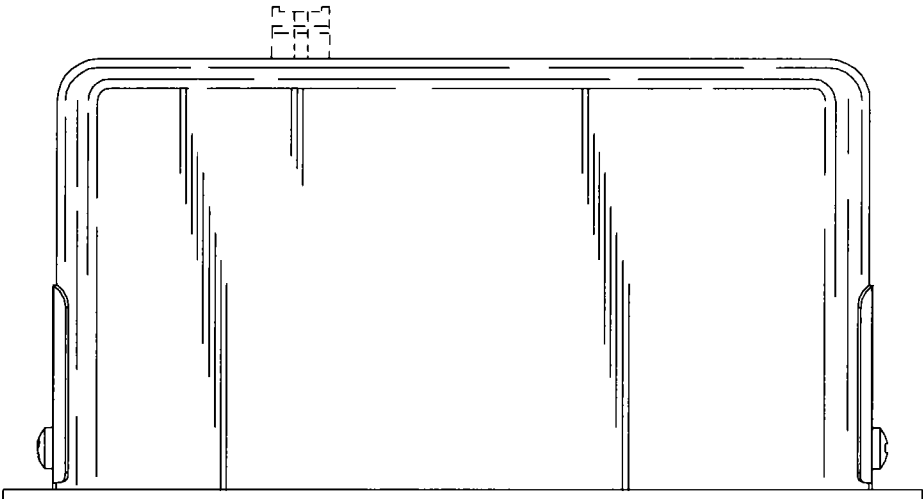


FIG. 5

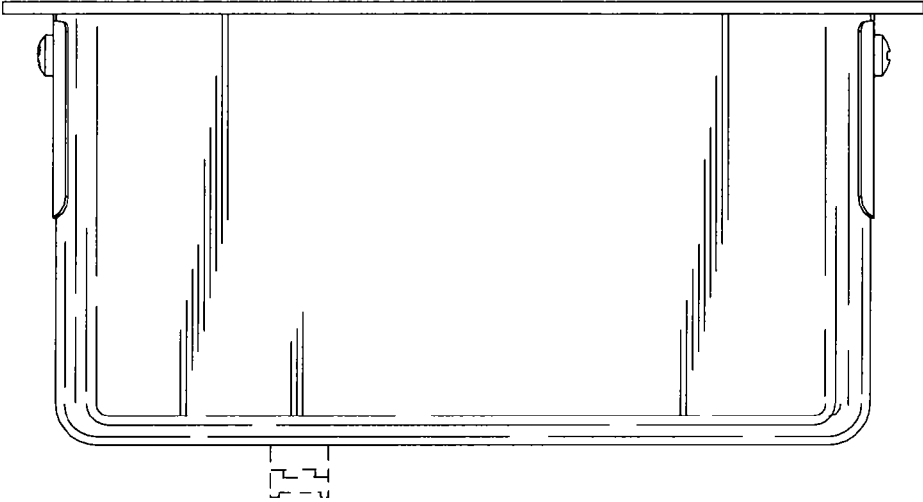


FIG. 6

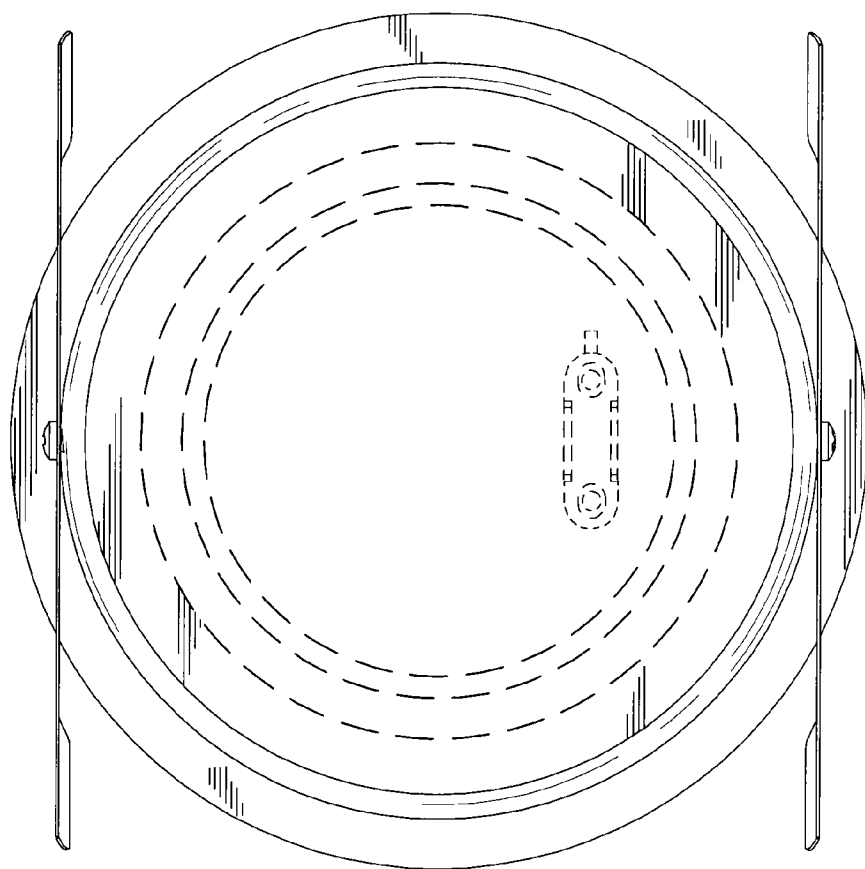


FIG. 7