

[54] **GAME GOAL**

[76] **Inventor:** Edward L. Long, 5956 Atteentee Rd.,  
Springfield, Va. 22150

[\*\*] **Term:** 14 Years

[21] **Appl. No.:** 933,975

[22] **Filed:** Aug. 15, 1978

[51] **Int. Cl.** ..... D21-02

[52] **U.S. Cl.** ..... D21/200

[58] **Field of Search** ..... D21/200; 273/26 A, 181 F

2,827,295 3/1958 Austin ..... 273/26 A

*Primary Examiner*—Melvin B. Feifer  
*Attorney, Agent, or Firm*—Edward L. Long

[57] **CLAIM**

The ornamental design for game goal, substantially as shown and described.

**DESCRIPTION**

FIG. 1 is a right front perspective view of a game goal showing my new design;

FIG. 2 is a right front perspective view of my game apparatus showing my new alternative design with the net located across the entire front and partially on each side;

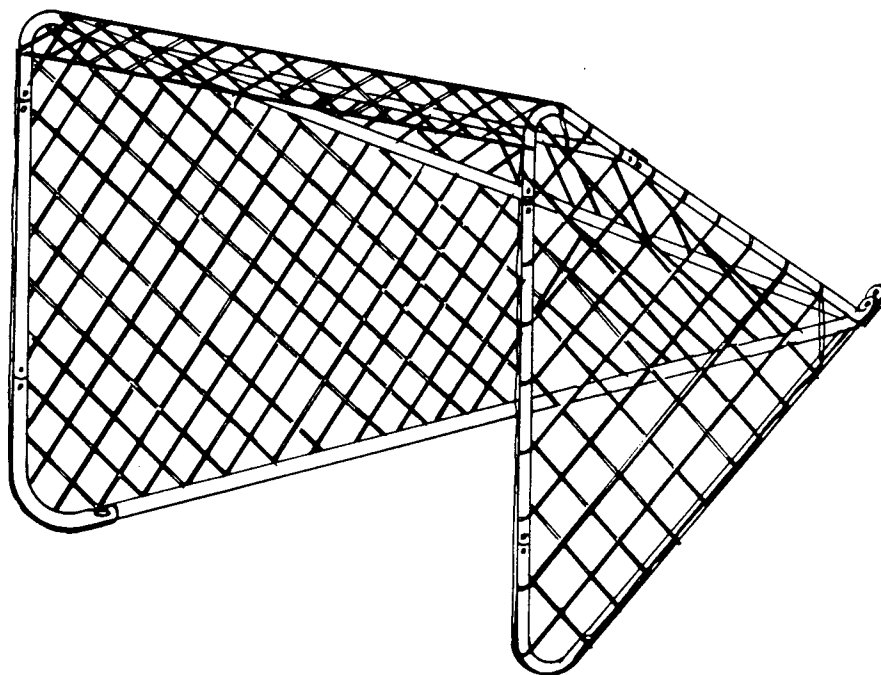
FIG. 3 is a side elevation view thereof;

FIG. 4 is a top plan view thereof.

[56] **References Cited**

**U.S. PATENT DOCUMENTS**

D. 212,767 11/1968 Frischman ..... D21/200



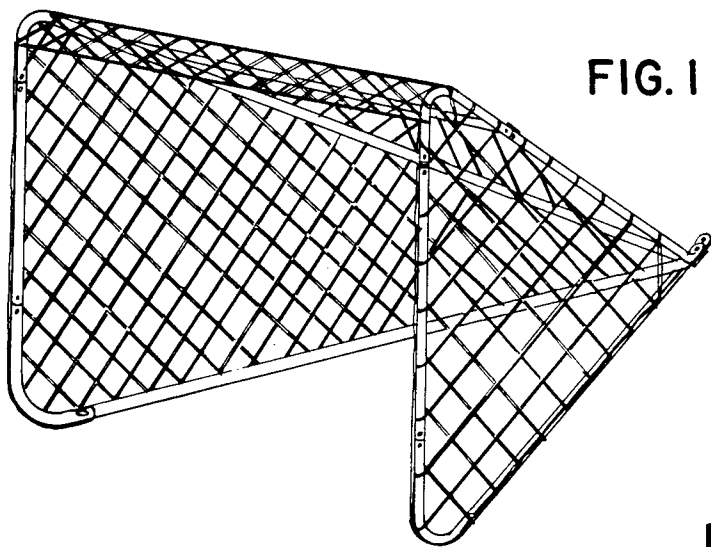


FIG. 1

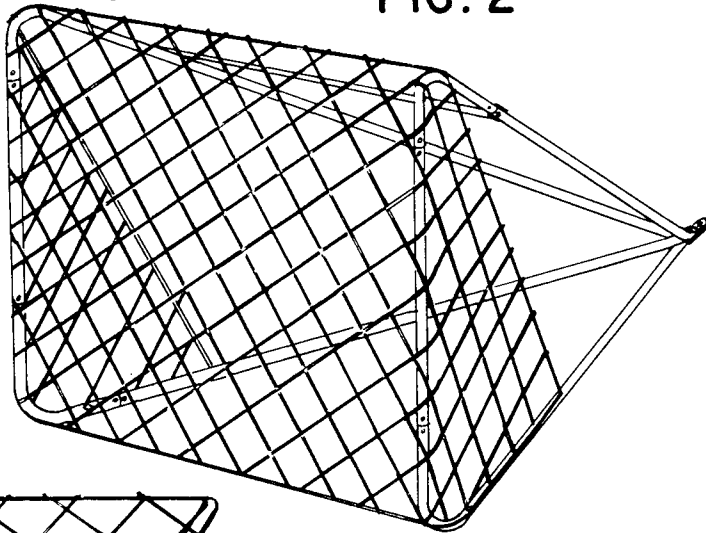


FIG. 2

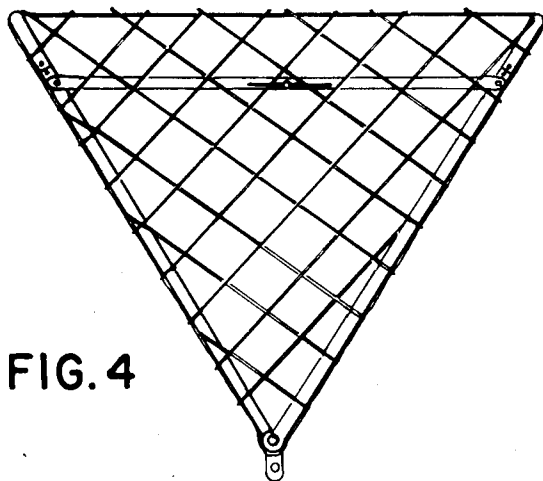


FIG. 4

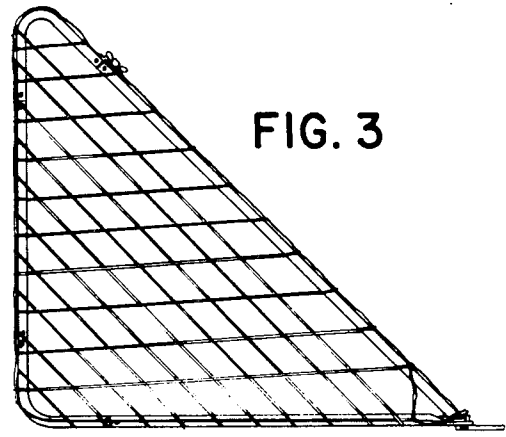


FIG. 3