



(12) **United States Design Patent**  
**Oakley**

(10) **Patent No.:** **US D1,016,160 S**  
(45) **Date of Patent:** **\*\* Feb. 27, 2024**

(54) **MAGNETIC CLIP**

(74) *Attorney, Agent, or Firm* — Hovey Williams LLP

(71) Applicant: **Oliblock**, San Francisco, CA (US)

(57) **CLAIM**

The ornamental design for a magnetic clip, as shown and described.

(72) Inventor: **Daniel R. Oakley**, San Francisco, CA (US)

**DESCRIPTION**

(73) Assignee: **Oliblock**, San Francisco, CA (US)

(\*\*) Term: **15 Years**

(21) Appl. No.: **29/819,794**

(22) Filed: **Dec. 17, 2021**

(51) **LOC (14) Cl.** ..... **19-99**

(52) **U.S. Cl.**

USPC ..... **D19/65**; D19/34; D8/395

(58) **Field of Classification Search**

USPC .... D8/349, 382, 394, 395, 396; D19/34, 86, D19/65

CPC ..... B42F 11/04; B42F 1/06; H01F 7/0215; B42D 9/004; Y10T 24/32

See application file for complete search history.

(56) **References Cited**

**U.S. PATENT DOCUMENTS**

|               |         |             |       |           |
|---------------|---------|-------------|-------|-----------|
| 2,774,124 A * | 12/1956 | Brady       | ..... | B42F 1/06 |
|               |         |             |       | 40/658    |
| D236,441 S *  | 8/1975  | Lloyd       | ..... | D8/394    |
| D276,206 S *  | 11/1984 | Williams    | ..... | D7/633    |
| D305,997 S *  | 2/1990  | Harvey      | ..... | D11/221   |
|               |         | (Continued) |       |           |

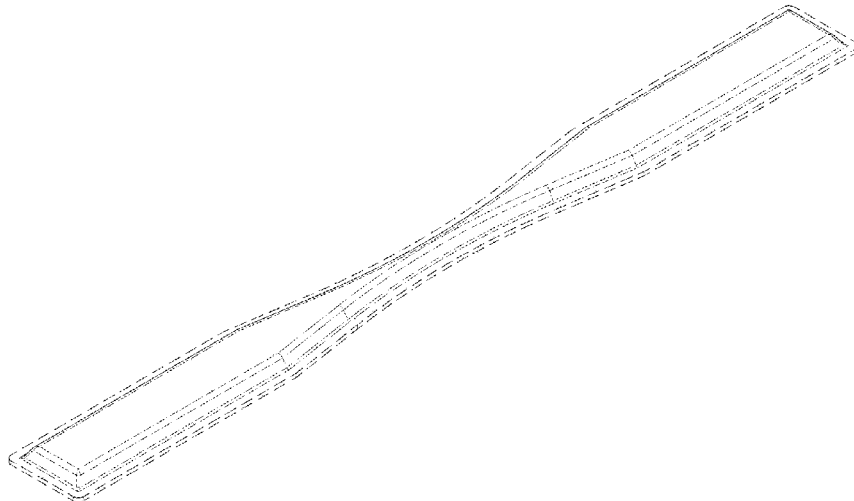
**OTHER PUBLICATIONS**

Printout from archive.org (<http://web.archive.org/web/20181111234238/https://www.containerstore.com/s/office/clips/magnetic-paper-clips/12d?productId=11002712>) depicting prior art clip design (Nov. 11, 2018).

*Primary Examiner* — Calvin E Vasant  
*Assistant Examiner* — Benjamin L. Gray

FIG. 1 is a top perspective view of a magnetic clip embodying my design;  
 FIG. 2 is another top perspective view of the magnetic clip shown in FIG. 1;  
 FIG. 3 is yet another top perspective view of the magnetic clip shown in FIGS. 1 and 2;  
 FIG. 4 is a top plan view of the magnetic clip shown in FIGS. 1-3;  
 FIG. 5 is a side elevation view of the magnetic clip depicted in FIGS. 1-4, with the opposite side elevation view being a mirror image thereof;  
 FIG. 6 is an end view of the magnetic clip depicted in FIGS. 1-5, with the opposite end view being a mirror image thereof;  
 FIG. 7 is a perspective view of the magnetic clip shown in FIGS. 1-6 in an environment of use;  
 FIG. 8 is an alternative perspective view of the magnetic clip as depicted in FIG. 7;  
 FIG. 9 is an alternative perspective of the clip as depicted in FIG. 8;  
 FIG. 10 plan view of the magnetic clip as shown in FIGS. 8 and 9, with the opposite plan view being a mirror image thereof;  
 FIG. 11 is a side elevation view of the magnetic clip as depicted in FIGS. 8-10; with the opposite side elevation view being a mirror image thereof;  
 FIG. 12 is an end view of the magnetic clip as depicted in FIGS. 8-11; and,  
 FIG. 13 is an end view of the magnetic clip opposite that shown in FIG. 12.  
 The dash-dash broken lines define the bounds of the claimed design and form no part thereof. The long dash-dash-dash broken lines in FIG. 7 depict environmental structure and form no part of the claimed design.

**1 Claim, 4 Drawing Sheets**



(56)

**References Cited**

U.S. PATENT DOCUMENTS

D313,547 S \* 1/1991 Buckles ..... D8/394  
D364,798 S \* 12/1995 Bright ..... D8/394  
6,298,804 B1 \* 10/2001 Kamen ..... B42D 9/007  
116/234  
D517,120 S \* 3/2006 Scott ..... D19/34  
D563,602 S \* 3/2008 Armentrout ..... D29/101.1  
D624,809 S \* 10/2010 Weisensel ..... D8/382  
D796,686 S \* 9/2017 Internicola ..... D24/200  
10,897,828 B2 \* 1/2021 Mayfield ..... H05K 5/0226  
D966,934 S \* 10/2022 Walker ..... D8/395

\* cited by examiner

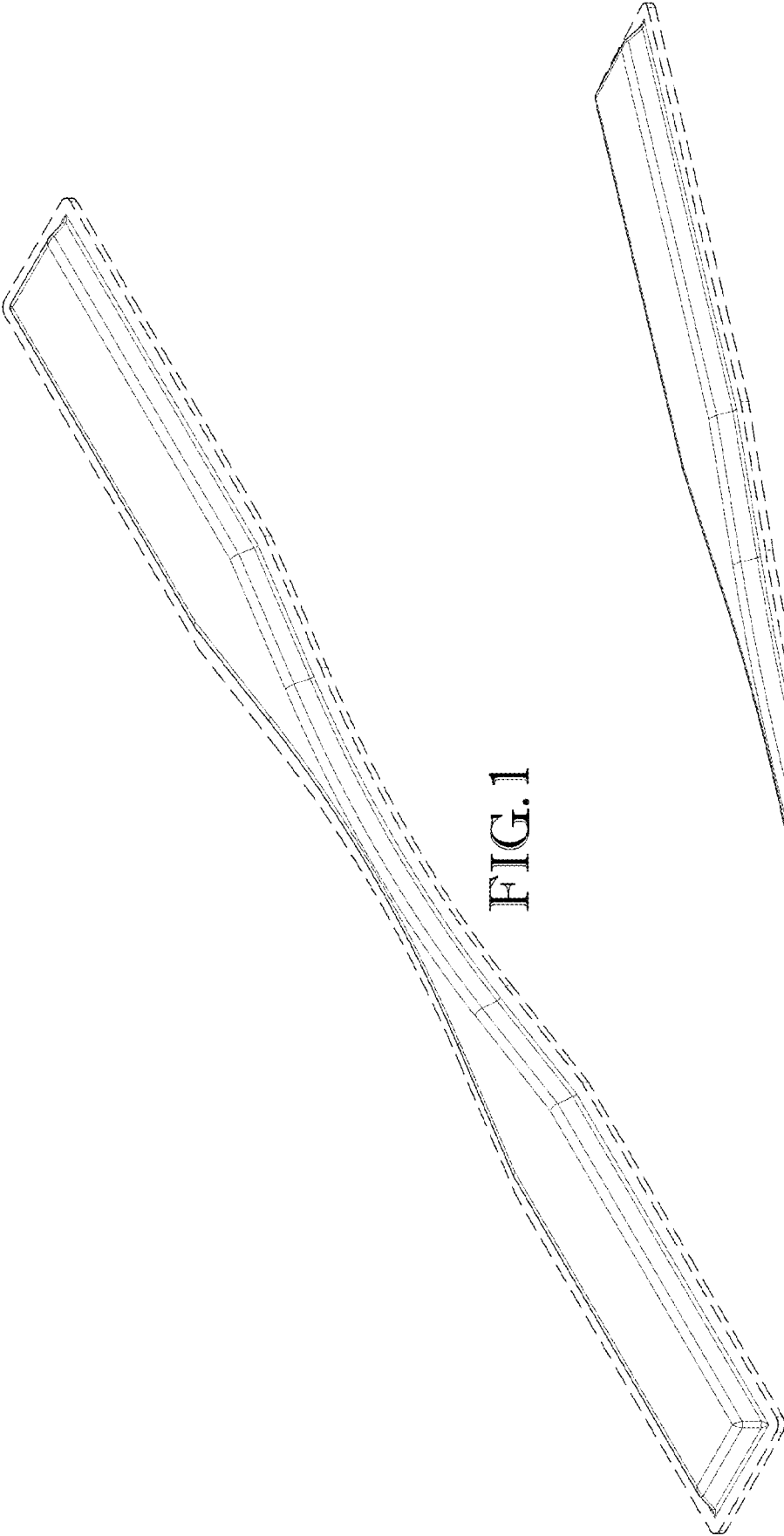


FIG. 1

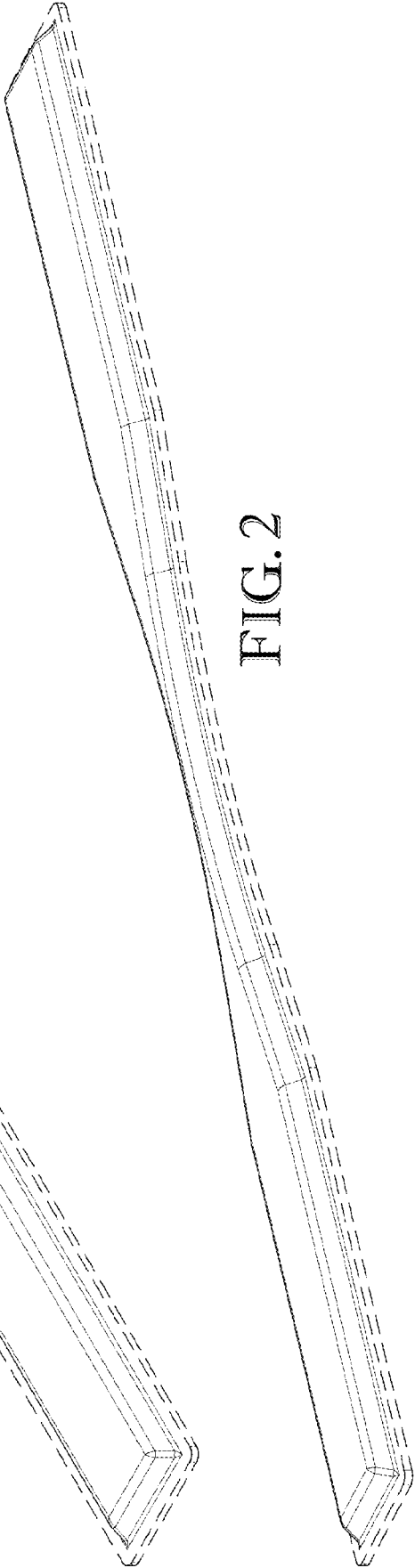


FIG. 2

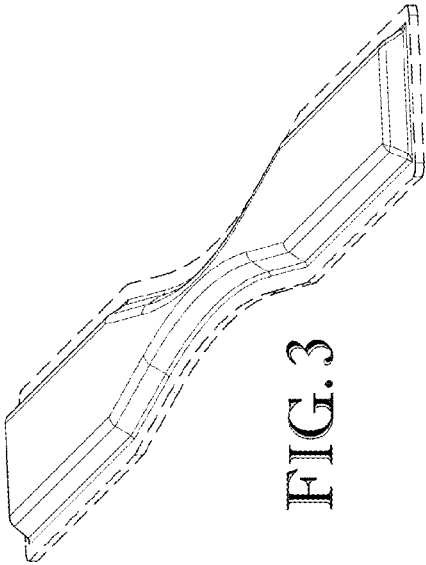


FIG. 3



FIG. 6

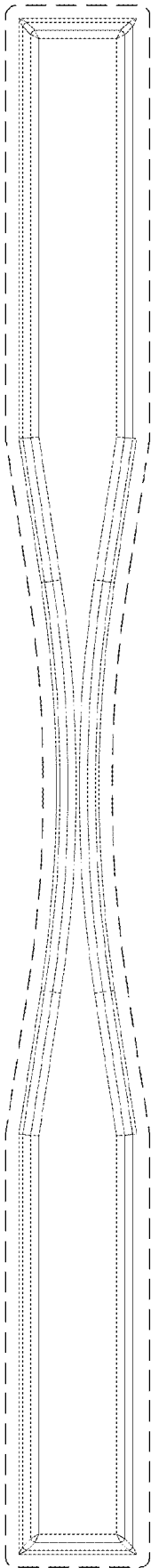


FIG. 4



FIG. 5

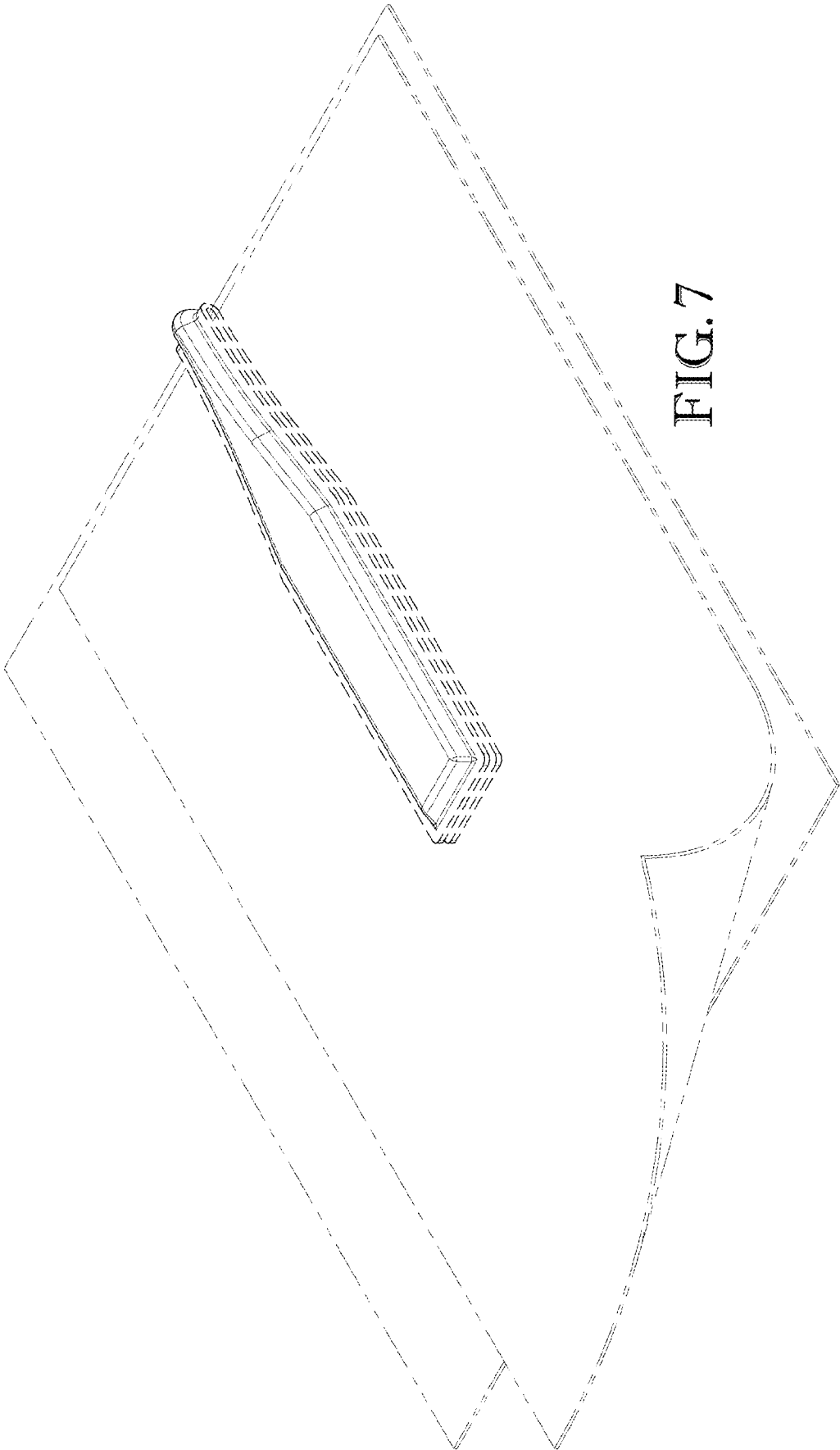


FIG. 7

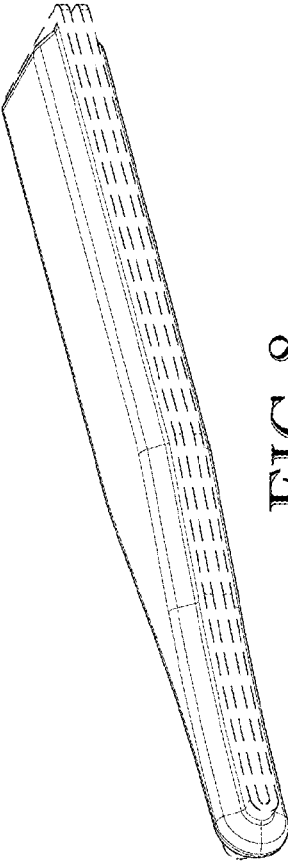


FIG. 8

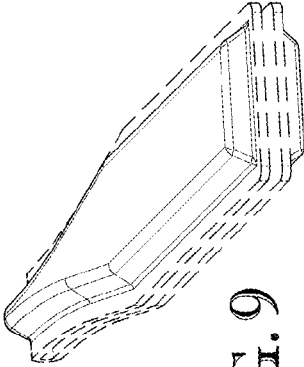


FIG. 9

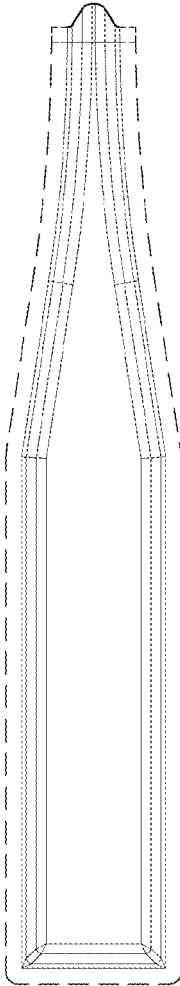


FIG. 10

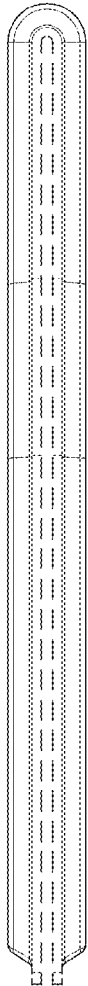


FIG. 11

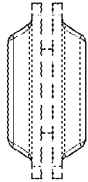


FIG. 12

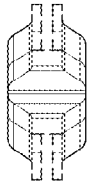


FIG. 13