

(19) World Intellectual Property Organization
International Bureau



(43) International Publication Date
5 January 2012 (05.01.2012)

PCT

(10) International Publication Number
WO 2012/002721 A3

- (51) International Patent Classification:
F16K 31/02 (2006.01) F16K 3/34 (2006.01)
F16K 17/20 (2006.01) E03D 9/08 (2006.01)
F16K 35/00 (2006.01)
- (21) International Application Number:
PCT/KR201 1/004740
- (22) International Filing Date:
29 June 2011 (29.06.2011)
- (25) Filing Language: English
- (26) Publication Language: English
- (30) Priority Data:
10-2010-00631 19 30 June 2010 (30.06.2010) KR
10-2011-0062828 28 June 2011 (28.06.2011) KR
- (71) Applicant (for all designated States except US):
WOONGJIN COWAY CO., LTD. [KR/KR]; 658
Yougu-ri, Yougu-eup, Gongjoo, Choongcheongnam-do
314-895 (KR).
- (72) Inventors; and
- (75) Inventors/Applicants (for US only): SON, Jung-Ho
[KR/KR]; Woongjin Coway R&D Center, Seoul National
Univ. Research Park, San 4-1, Nakseongdae-dong,
Gwanak-gu, Seoul 151-851 (KR). SEO, In-Seok
[KR/KR]; Woongjin Coway R&D Center, Seoul National
Univ. Research Park, San 4-1, Nakseongdae-dong,
Gwanak-gu, Seoul 151-851 (KR). KIM, Ki-Chul
[KR/KR]; Woongjin Coway R&D Center, Seoul National
Univ. Research Park, San 4-1, Nakseongdae-dong,
Gwanak-gu, Seoul 151-851 (KR).

- (74) Agent: C&S PATENT AND LAW OFFICE; 13th
Floor, Seocho-Pyunghwa Building, 1451-34 Seocho-
dong, Seocho-gu, Seoul 137-070 (KR).
- (81) Designated States (unless otherwise indicated, for every
kind of national protection available): AE, AG, AL, AM,
AO, AT, AU, AZ, BA, BB, BG, BH, BR, BW, BY, BZ,
CA, CH, CL, CN, CO, CR, CU, CZ, DE, DK, DM, DO,
DZ, EC, EE, EG, ES, FI, GB, GD, GE, GH, GM, GT,
HN, HR, HU, ID, IL, IN, IS, JP, KE, KG, KM, KN, KP,
KZ, LA, LC, LK, LR, LS, LT, LU, LY, MA, MD, ME,
MG, MK, MN, MW, MX, MY, MZ, NA, NG, NI, NO,
NZ, OM, PE, PG, PH, PL, PT, RO, RS, RU, SC, SD, SE,
SG, SK, SL, SM, ST, SV, SY, TH, TJ, TM, TN, TR, TT,
TZ, UA, UG, US, UZ, VC, VN, ZA, ZM, ZW.
- (84) Designated States (unless otherwise indicated, for every
kind of regional protection available): ARIPO (BW, GH,
GM, KE, LR, LS, MW, MZ, NA, SD, SL, SZ, TZ, UG,
ZM, ZW), Eurasian (AM, AZ, BY, KG, KZ, MD, RU, TJ,
TM), European (AL, AT, BE, BG, CH, CY, CZ, DE, DK,
EE, ES, FI, FR, GB, GR, HR, HU, IE, IS, IT, LT, LU,
LV, MC, MK, MT, NL, NO, PL, PT, RO, RS, SE, SI, SK,
SM, TR), OAPI (BF, BJ, CF, CG, CI, CM, GA, GN, GQ,
GW, ML, MR, NE, SN, TD, TG).

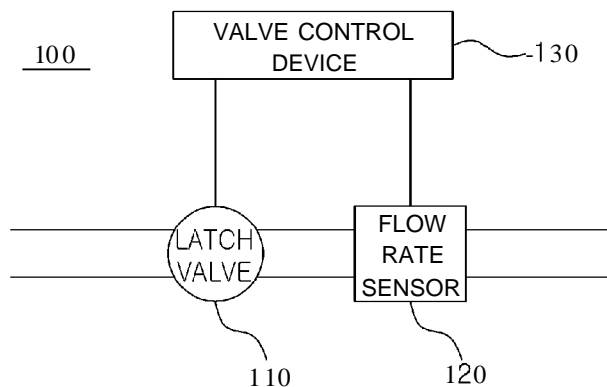
Published:

- with international search report (Art. 21(3))
- before the expiration of the time limit for amending the
claims and to be republished in the event of receipt of
amendments (Rule 48.2(h))

(88) Date of publication of the international search report:
26 April 2012

(54) Title: VALVE CONTROL SYSTEM, BIDET USING THE SAME, AND VALVE CONTROL METHOD

[Fig. 1]



(57) Abstract: There are provided a valve control system, a bidet using the same, and a valve control method. The valve control system includes a latch valve controlling a stream of water in a pipe; a flow rate sensor measuring a flow rate in the pipe; and a valve control device controlling the operation of the latch valve. The valve control device determines whether or not the latch valve is malfunctioning upon analyzing a flow rate measured by the flow rate sensor. When the latch valve is malfunctioning, the valve control device controls the latch valve to re-operate.



WO 2012/002721 A3

INTERNATIONAL SEARCH REPORT

International application No.
PCT/KR20 11/004740

A. CLASSIFICATION OF SUBJECT MATTER

F16K 31/02(2006.01)i, F16K 17/20(2006.01)1, F16K 35/00(2006.01)1, F16K 3/34(2006.01)1, E03D 9/08(2006.01)1

According to International Patent Classification (IPC) or to both national classification and IPC

B. FIELDS SEARCHED

Minimum documentation searched (classification system followed by classification symbols)

F16K 31/02; B60T 13/00; E03D 9/08; F17D 3/00; A61H 35/00; F16D 25/12

Documentation searched other than minimum documentation to the extent that such documents are included in the fields searched

Korean utility models and applications for utility models
Japanese utility models and applications for utility models

Electronic data base consulted during the international search (name of data base and, where practicable, search terms used)

eKOMPASS(KIPO internal) & Keywords: bidet, latch valve, waterway, sensor

C. DOCUMENTS CONSIDERED TO BE RELEVANT

Category*	Citation of document, with indication, where appropriate, of the relevant passages	Relevant to claim No.
X Y A	US 2003-0057765 AI (DENNIS L. MORTENSON et al.) 27 March 2003 See claims 1-23 .	1, 5, 11, 17 6, 10 2-4, 7-9, 12-16
Y A	US 2008-0047055 AI (YOUNG KYUN LIM) 28 February 2008 See claims 1-7, figures 1-5 .	6, 10 1-5, 7-9, 11-17
A	US 2005-0150557 AI (JASON A. MCDANIEL et al.) 14 July 2005 See paragraphs 21-38, figures 1-2 .	1-17
A	US 2007-0221467 AI (PAUL D. STEVENSON et al.) 27 September 2007 See paragraphs 11-29, figures 1-3.	1-17

Further documents are listed in the continuation of Box C.

See patent family annex.

* Special categories of cited documents:

"A" document defining the general state of the art which is not considered to be of particular relevance

"E" earlier application or patent but published on or after the international filing date

"L" document which may throw doubts on priority claim(s) or which is cited to establish the publication date of citation or other special reason (as specified)

"O" document referring to an oral disclosure, use, exhibition or other means

"P" document published prior to the international filing date but later than the priority date claimed

"T" later document published after the international filing date or priority date and not in conflict with the application but cited to understand the principle or theory underlying the invention

"X" document of particular relevance; the claimed invention cannot be considered novel or cannot be considered to involve an inventive step when the document is taken alone

"Y" document of particular relevance; the claimed invention cannot be considered to involve an inventive step when the document is combined with one or more other such documents, such combination being obvious to a person skilled in the art

"&" document member of the same patent family


Date of the actual completion of the international search

16 FEBRUARY 2012 (16.02.2012)

Date of mailing of the international search report

17 FEBRUARY 2012 (17.02.2012)

Name and mailing address of the ISA/KR

 Korean Intellectual Property Office
Government Complex-Daejeon, 189 Cheongsu-ro,
Seo-gu, Daejeon 302-701, Republic of Korea

Facsimile No. 82-42-472-7140

Authorized officer

JUNG, JIN SOO

Telephone No. 82-42-481-3380



INTERNATIONAL SEARCH REPORT

Information on patent family members

International application No.

PCT/KR20 11/004740

Patent document cited in search report	Publication date	Patent family member(s)	Publication date
US 2003-0057765 A1	27.03.2003	US 6609767 B2	26.08.2003
US 2008-0047055 A1	28.02.2008	CN 100532744 C	26.08.2009
		CN 101548930 A	07.10.2009
		CN 101548930 B	17.08.2011
		CN 1997798 A	11.07.2007
		CN 1997798 CO	11.07.2007
		EP 1781864 A1	09.05.2007
		EP 1781864 A4	10.12.2008
		JP 04-584309 B2	10.09.2010
		JP 2008-506056 A	28.02.2008
		JP 2010-216239 A	30.09.2010
		JP 4584309 B2	17.11.2010
		KR 10-0654369 B1	08.12.2006
		KR 10-2006-0036240 A	28.04.2006
		KR 20-0363500 Y1	02.10.2004
		KR 20-037246 1 Y1	14.01.2005
		US 2011-0203044 A1	25.08.2011
		US 7954181 B2	07.06.2011
		W0 2006-006756 A1	19.01.2006
		W0 2006-006756 A8	05.03.2009
US 2005-0150557 A1	14.07.2005	CA 2492226 A1	14.07.2005
		US 6962168 B2	08.11.2005
US 2007-0221467 A1	27.09.2007	CN 101042188 A	26.09.2007
		DE 102007013020 A1	18.10.2007
		US 7402124 B2	22.07.2008