



(12) **United States Design Patent**
Lin

(10) **Patent No.:** **US D919,016 S**
(45) **Date of Patent:** **** May 11, 2021**

(54) **SET OF JUMP ROPE HANDLES**
(71) Applicant: **SHENZHEN MAIQIANG TECHNOLOGY DEVELOPMENT CO., LTD., Shenzhen (CN)**

D866,688 S 11/2019 Zhang et al.
10,751,559 B2* 8/2020 Constanza A63B 24/0087
2013/0165299 A1* 6/2013 Hunt A63B 5/20
482/82
2014/0018210 A1* 1/2014 Lin A63B 71/0605
482/8

(72) Inventor: **Xiaiohong Lin, Shenzhen (CN)**

(Continued)

(73) Assignee: **SHENZHEN MAIQIANG TECHNOLOGY DEVELOPMENT CO., LTD., Shenzhen (CN)**

OTHER PUBLICATIONS

(**) Term: **15 Years**

Te-Rich by Te-Rich dated Sep. 9, 2020. Found online [Dec. 29, 2020] https://www.amazon.com/Te-Rich-Weighted-Fitness-Skipping-Counter/product-reviews/B08G8D6Z8H/ref=cm_cr_getr_d_paging_btm_next_20?ie=UTF8&reviewerType=all_reviews&sortBy=recent&pageNumber=20 (Year: 2020).*

(21) Appl. No.: **29/740,829**

(22) Filed: **Jul. 7, 2020**

Primary Examiner — Ryan Harvey

(51) **LOC (13) Cl.** **21-02**

(74) *Attorney, Agent, or Firm* — Law Offices of Steven W. Weinrieb

(52) **U.S. Cl.**

USPC **D21/672**

(58) **Field of Classification Search**

(57) **CLAIM**

USPC D21/672, 756, 662, 757, 684, 694;
D22/117; D7/684, 649; D26/38, 49;
D8/14, 303, 373; 482/82, 49, 81, 110, 8,
482/106, 2; D15/66; D9/621; D19/77
CPC A63B 5/20; A63B 2208/12; A63B 5/205;
A63B 2071/0625; A63B 2225/74; A63B
21/4035; A63B 21/0004
See application file for complete search history.

The ornamental design for set of jump rope handles, as shown and described.

DESCRIPTION

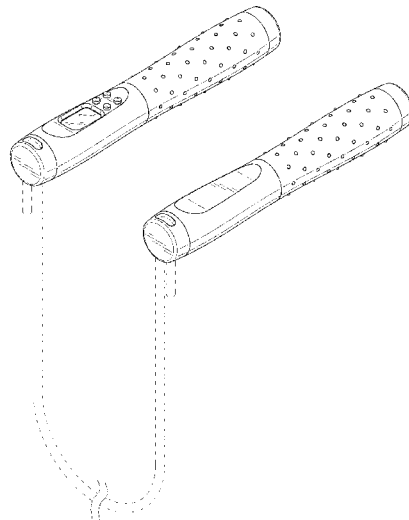
(56) **References Cited**

U.S. PATENT DOCUMENTS

4,136,866 A * 1/1979 Bouvier A63B 5/20
16/430
5,314,393 A * 5/1994 Rubin A63B 5/20
472/13
D566,206 S 4/2008 Yang
7,976,438 B1* 7/2011 Hsu A63B 5/20
482/81
D804,591 S 12/2017 Kuang
D829,835 S 10/2018 Yu
D846,667 S 4/2019 Yu
D856,446 S 8/2019 Yu

FIG. 1 is a front, right side, top perspective view of a set of jump rope handles showing my new design, shown in a first environment of use;
FIG. 2 is a rear, left side, bottom perspective view thereof;
FIG. 3 is a front elevational view thereof;
FIG. 4 is a rear elevational view thereof;
FIG. 5 is a left side elevational view thereof;
FIG. 6 is a right side elevational view thereof;
FIG. 7 is a top plan view thereof;
FIG. 8 is a bottom plan view thereof; and,
FIG. 9 is a front, right side, top perspective view of the set of jump rope handles showing my new design, shown in a second environment of use.
The broken lines depict portions of the exercise equipment that form no part of the claimed design.

1 Claim, 9 Drawing Sheets



(56)

References Cited

U.S. PATENT DOCUMENTS

2015/0119206	A1*	4/2015	Newman	A63B 21/0608 482/82
2016/0067536	A1*	3/2016	Carpinelli	A63B 5/20 482/82
2018/0221703	A1*	8/2018	Newman	A63B 5/20

* cited by examiner

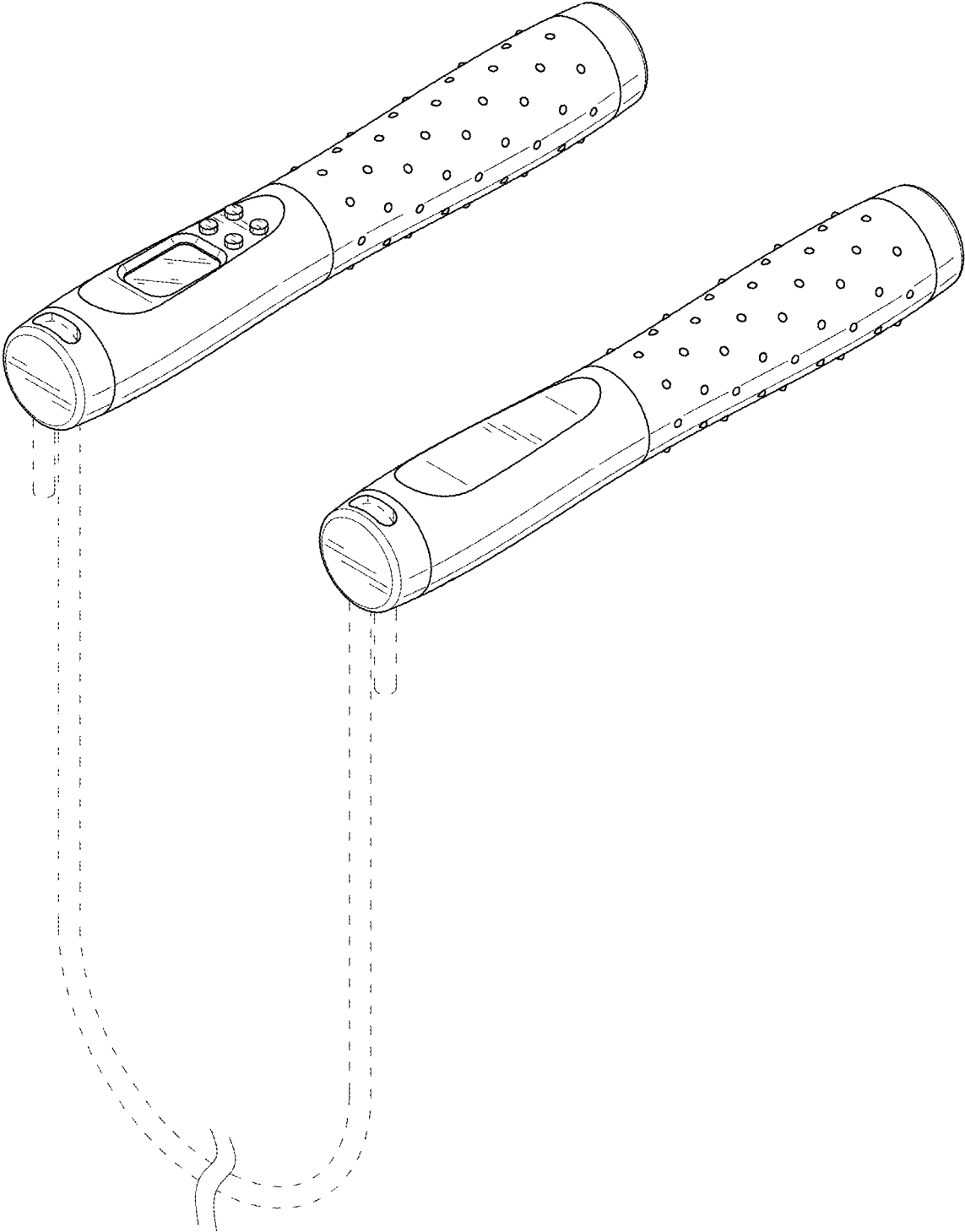


FIG.1

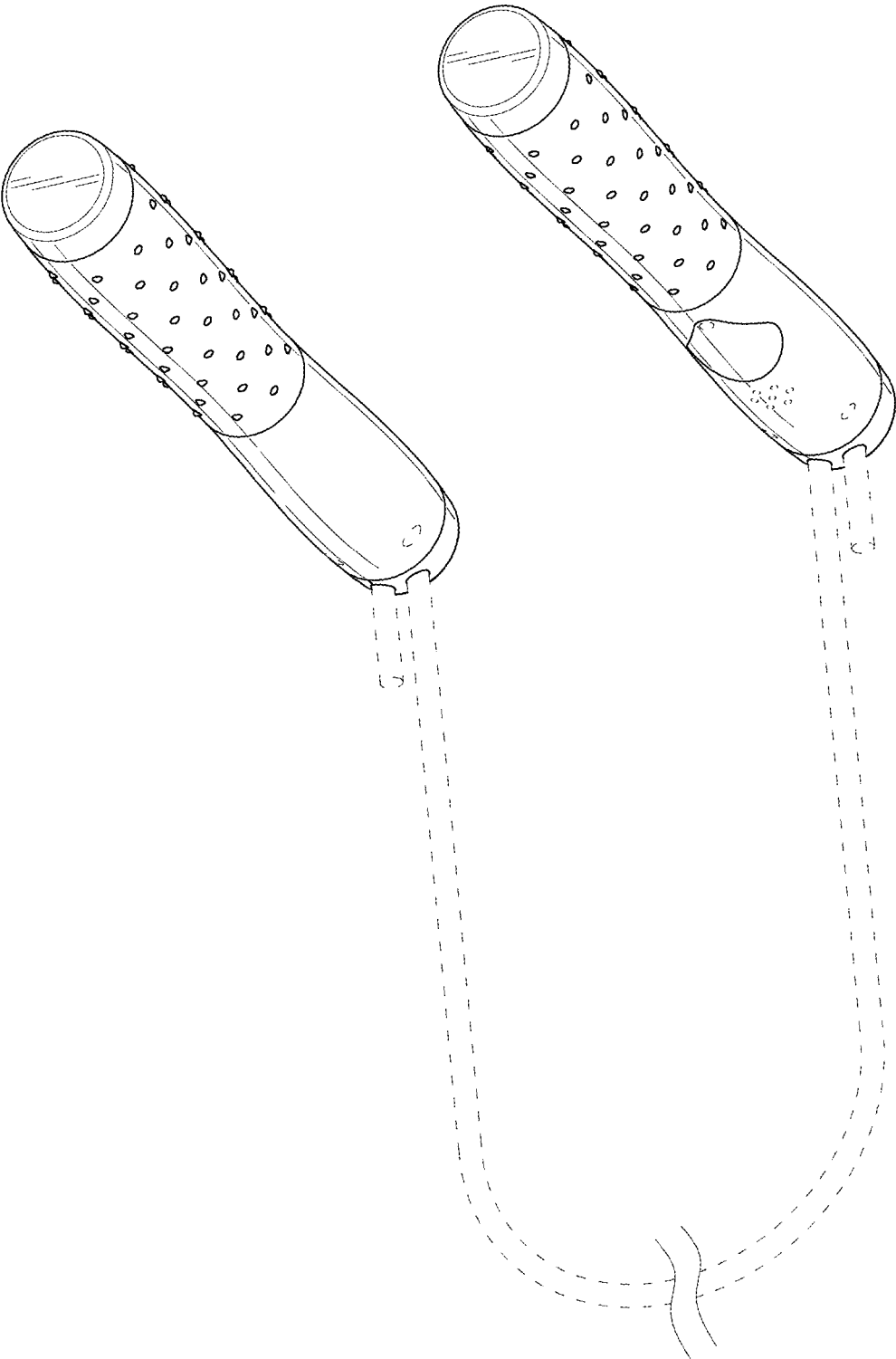


FIG.2

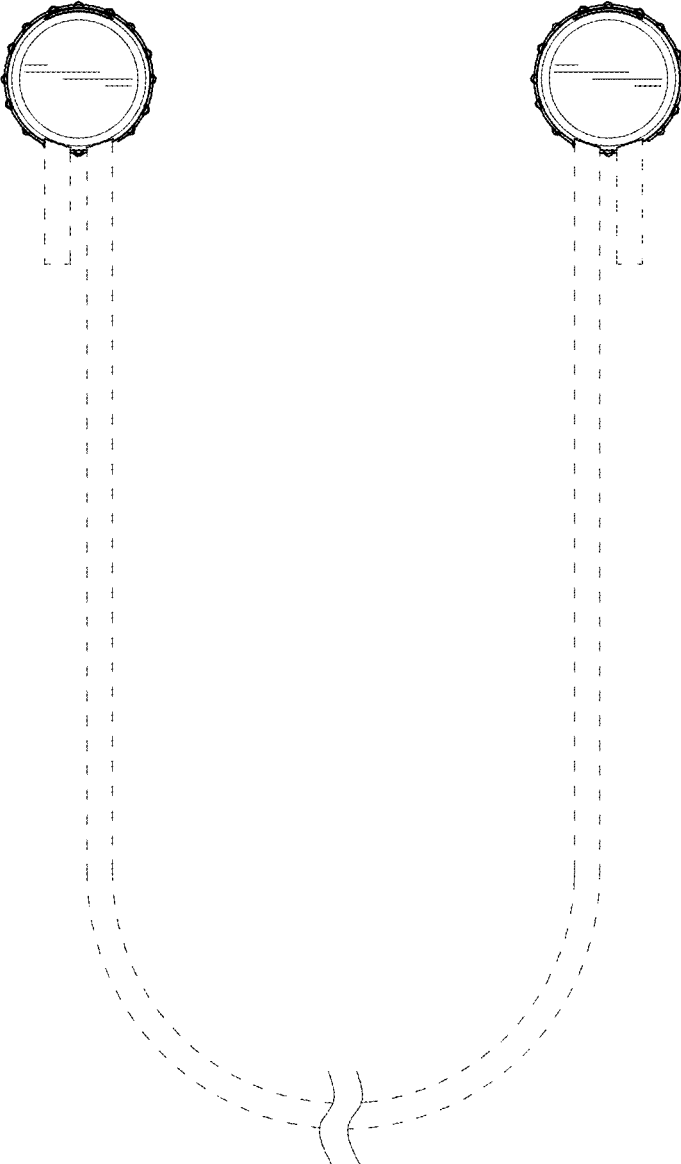


FIG.3

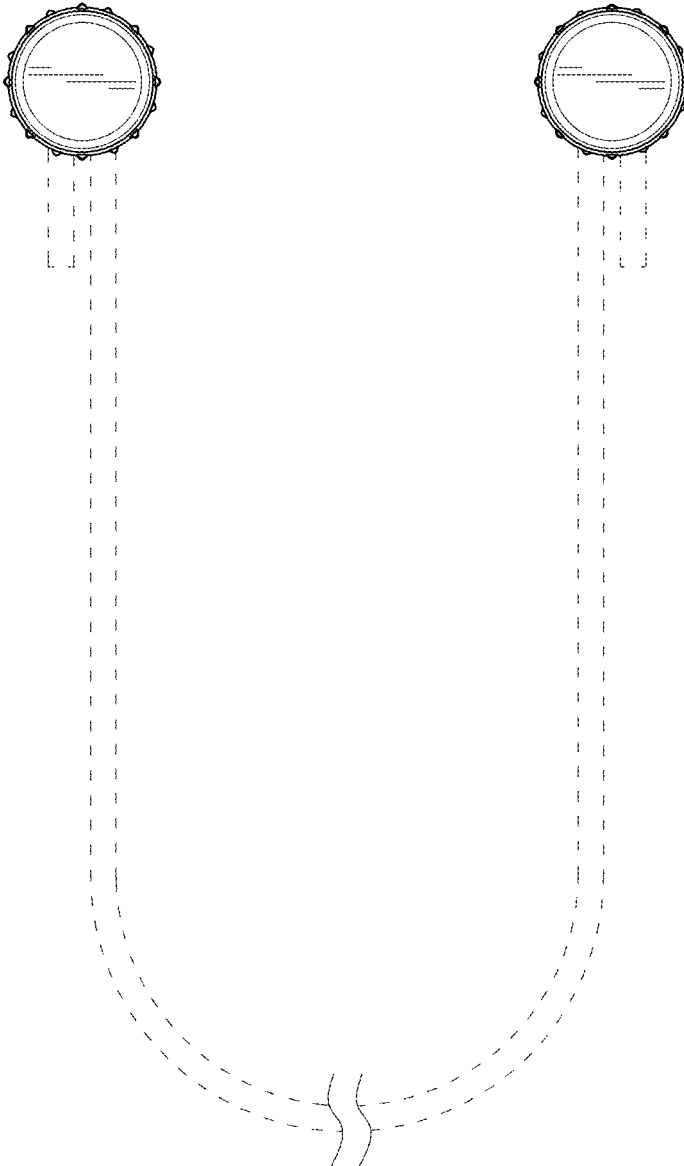


FIG.4

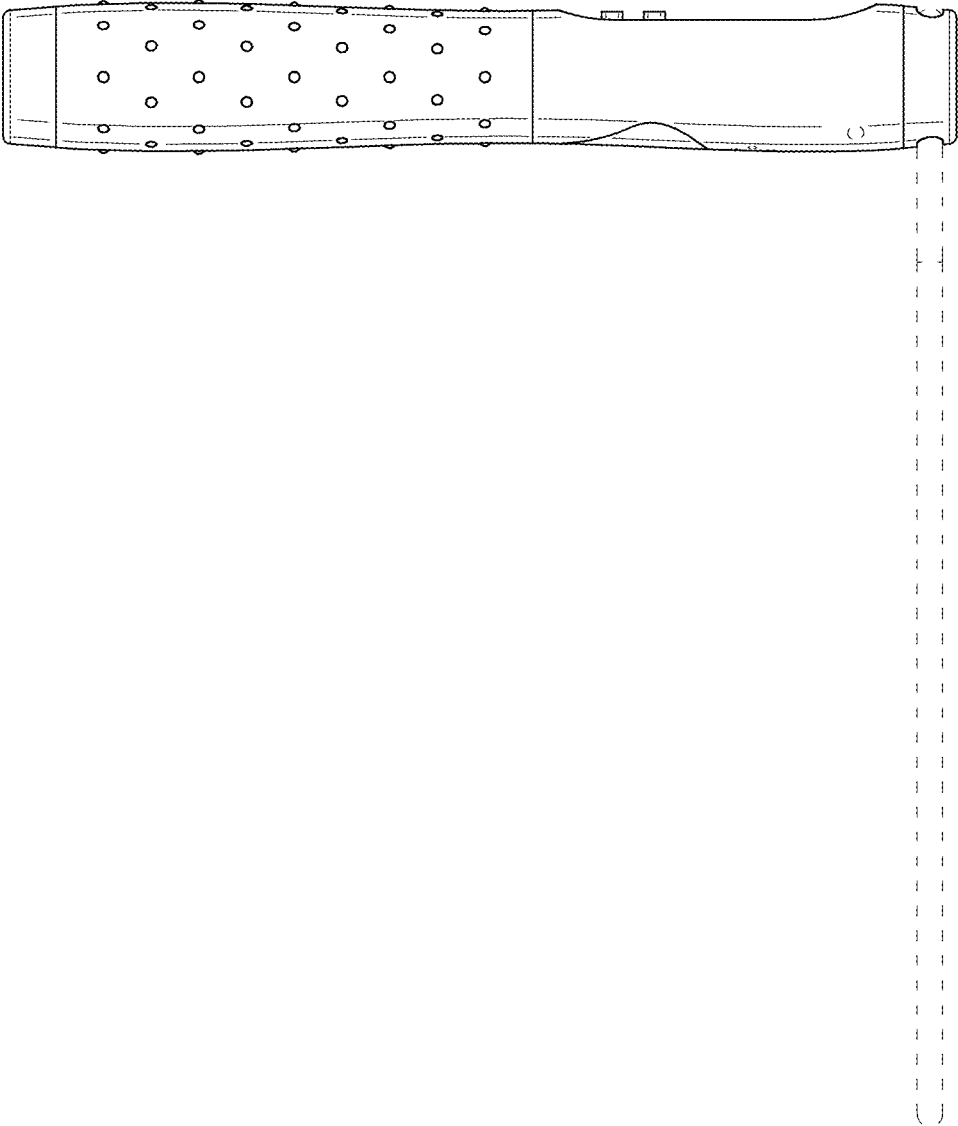


FIG.5

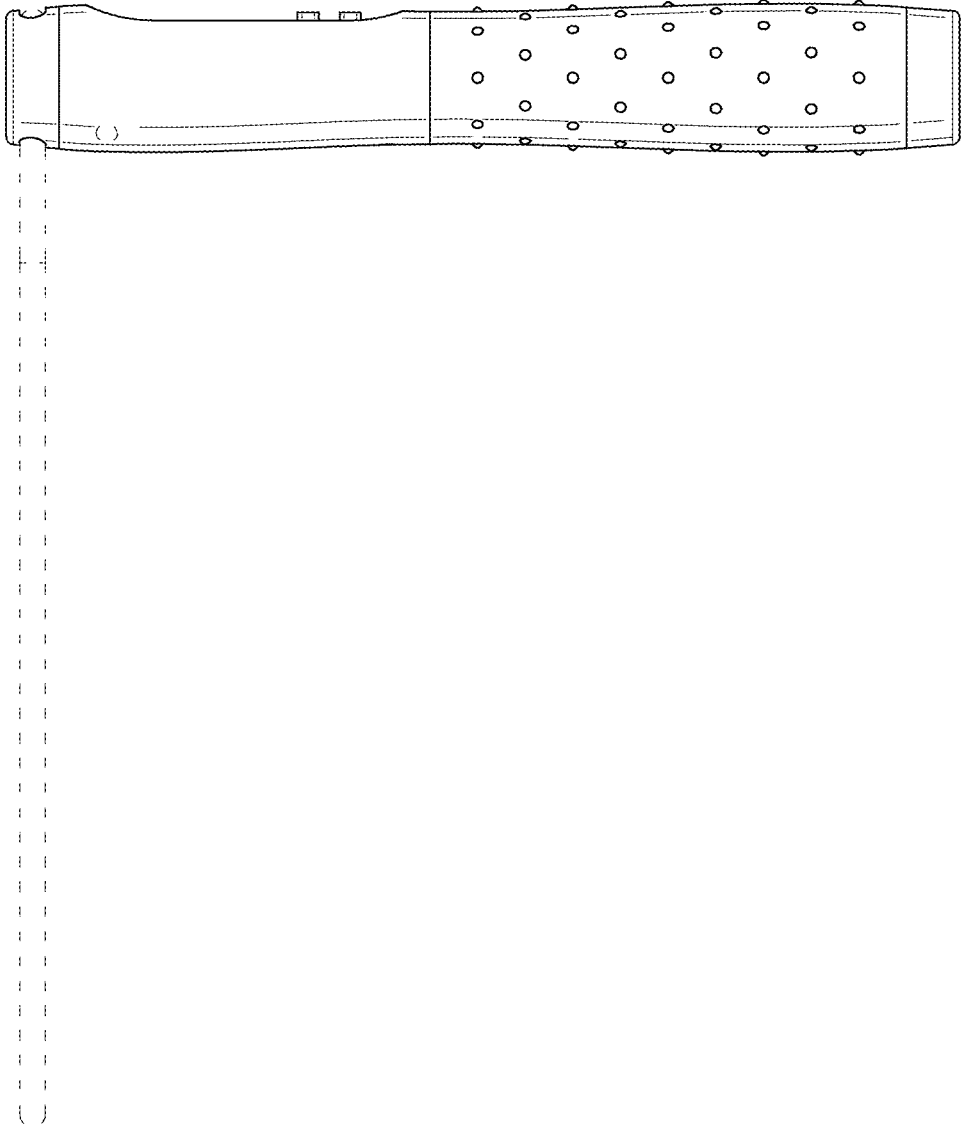


FIG.6

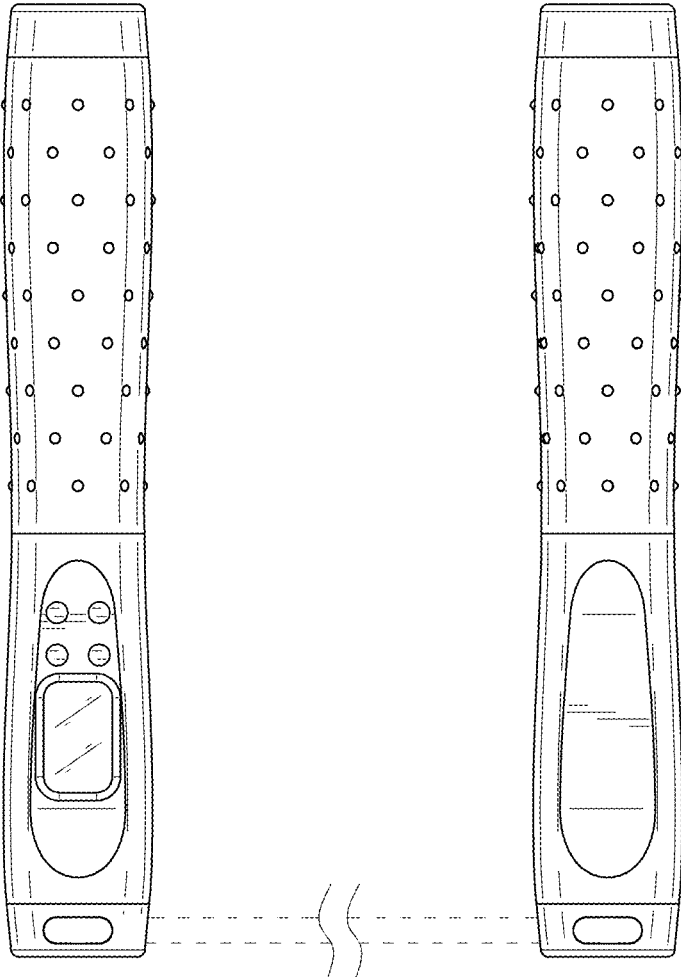


FIG. 7

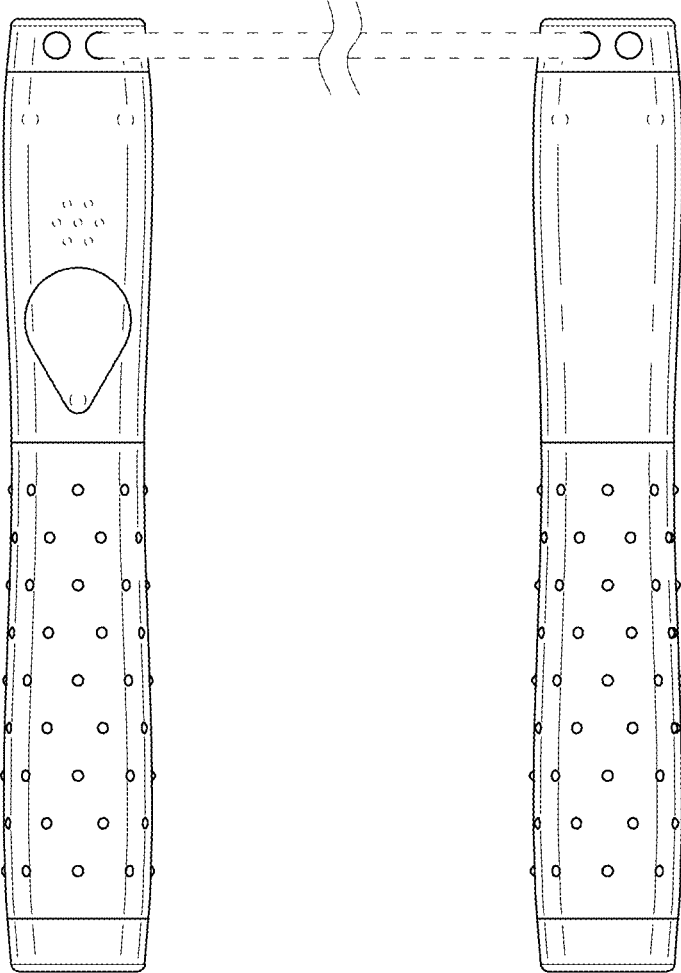


FIG.8

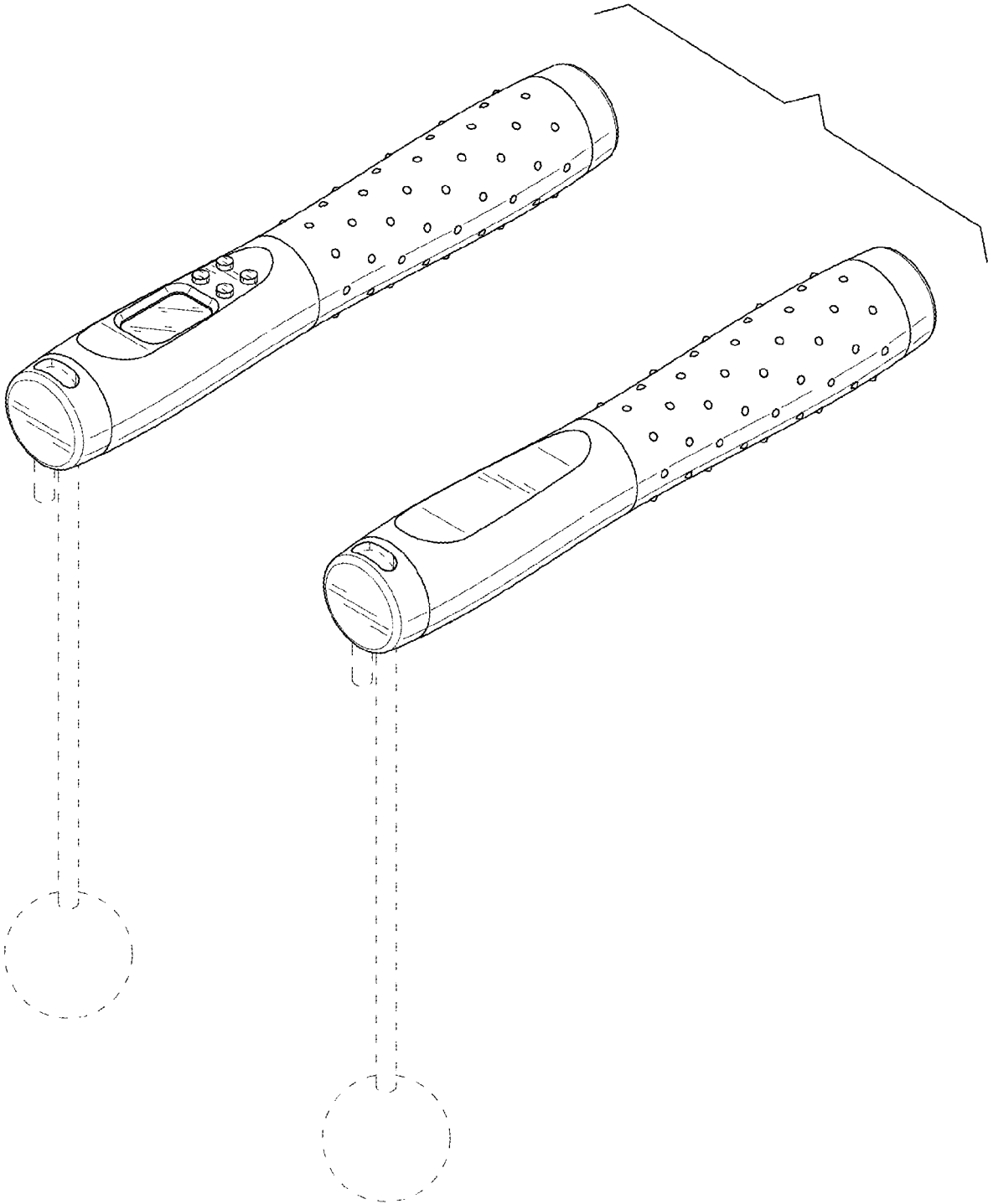


FIG.9