



US00D624266S

(12) **United States Design Patent**
Massip et al.

(10) **Patent No.:** **US D624,266 S**

(45) **Date of Patent:** **** Sep. 21, 2010**

(54) **LAUNDRY IRON**

(75) Inventors: **Victor Massip**, Nantes (FR); **Laurent Lebot**, Nantes (FR)

(73) Assignee: **Rowenta Werke GmbH**, Offenbach am Main (DE)

(**) Term: **14 Years**

(21) Appl. No.: **29/335,901**

(22) Filed: **Apr. 24, 2009**

(30) **Foreign Application Priority Data**

Nov. 5, 2008 (EM) 001034458-0002

(51) **LOC (9) Cl.** **07-05**

(52) **U.S. Cl.** **D32/70**

(58) **Field of Classification Search** D32/73,
D32/72, 71, 70, 69, 68, 35; 392/404; 38/97,
38/96, 93, 88, 77.9, 77.83, 77.82, 77.81,
38/77.8, 77.7, 77.6, 77.5, 77.3, 77.1; 219/251,
219/245

See application file for complete search history.

(56) **References Cited**

U.S. PATENT DOCUMENTS

| | | | | |
|--------------|---------|----------------|-------|--------|
| D353,246 S * | 12/1994 | Kameda | | D32/70 |
| D370,103 S * | 5/1996 | Gudefin | | D32/70 |
| D374,956 S * | 10/1996 | Hsu | | D32/70 |
| D401,706 S * | 11/1998 | Gudefin | | D32/70 |
| D402,779 S * | 12/1998 | Gudefin | | D32/70 |
| D441,929 S * | 5/2001 | Taylor | | D32/70 |
| D443,743 S * | 6/2001 | Edwards et al. | | D32/70 |
| D459,045 S * | 6/2002 | Figur et al. | | D32/70 |
| D470,635 S * | 2/2003 | Choi | | D32/70 |
| D472,354 S * | 3/2003 | Figur et al. | | D32/70 |
| D481,503 S * | 10/2003 | Choi | | D32/70 |
| D484,289 S * | 12/2003 | Berthier | | D32/70 |
| D502,792 S * | 3/2005 | Garner et al. | | D32/70 |
| D511,033 S * | 10/2005 | Berthier | | D32/70 |

| | | | | |
|--------------|---------|--------------------------|-------|--------|
| D530,474 S * | 10/2006 | Barquin Santillan | | D32/70 |
| D530,872 S * | 10/2006 | Barquin Santillan et al. | | D32/70 |
| D531,372 S * | 10/2006 | Poon | | D32/70 |
| D535,074 S * | 1/2007 | Bas et al. | | D32/70 |
| D544,165 S | 6/2007 | Massip et al. | | |
| D546,518 S | 7/2007 | Massip et al. | | |
| D550,915 S * | 9/2007 | Poon | | D32/70 |
| D550,916 S * | 9/2007 | Poon | | D32/70 |
| D551,413 S * | 9/2007 | Poon | | D32/70 |
| D555,315 S * | 11/2007 | Poon | | D32/70 |

(Continued)

OTHER PUBLICATIONS

Design Registration No. 000969860-0001, published Nov. 6, 2008, entitled "Electric Irons" in the name of Rowenta Werke GmbH, pp. 1-3.

(Continued)

Primary Examiner—Austin Murphy

(74) *Attorney, Agent, or Firm*—Oblon, Spivak, McClelland, Maier & Neustadt, L.L.P.

(57) **CLAIM**

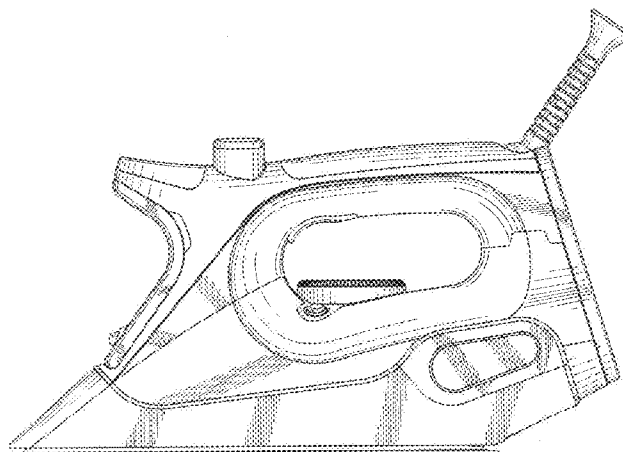
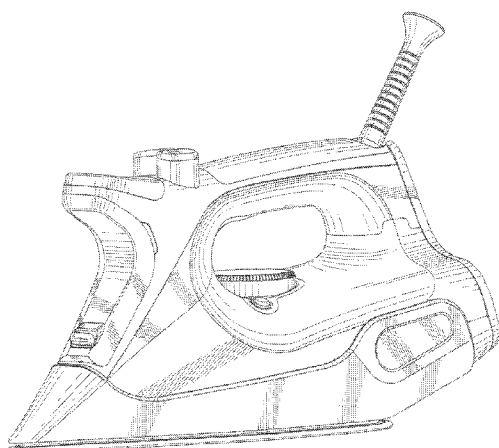
The ornamental design for a laundry iron, as shown and described.

DESCRIPTION

FIG. 1 is a front, left, top perspective view of a laundry iron; FIG. 2 is a right view thereof; FIG. 3 is a left view thereof; FIG. 4 is a front view thereof; FIG. 5 is a rear view thereof; FIG. 6 is a top view thereof; and, FIG. 7 is a bottom view thereof.

The broken lines shown in FIG. 5 represent unclaimed portions of the laundry iron and form no part of the claimed design.

1 Claim, 7 Drawing Sheets



US D624,266 S

Page 2

U.S. PATENT DOCUMENTS

D558,946 S 1/2008 Massip et al.
D610,764 S * 2/2010 Massip et al. D32/70
D610,765 S * 2/2010 Massip et al. D32/70

OTHER PUBLICATIONS

Design Registration No. 001050454-0001, published Dec. 16, 2008,
entitled "Steam Irons" in the name of Calor, pp. 1-2.

Design Registration No. 001050462-0001, published Dec. 17, 2008,
entitled "Steam Irons" in the name of Calor, pp. 1-2.
Design Registration No. 000216767-0001, published Nov. 30, 2004,
entitled "Electric Steam Irons" in the name of Koninklijke Philips
Electronics N.V., pp. 1-2.

U.S. Appl. No. 29/320,907, filed Jul. 8, 2008, Massip, et al.
U.S. Appl. No. 29/329,470, filed Dec. 16, 2008, Massip, et al.
U.S. Appl. No. 29/335,801, filed Apr. 22, 2009, Massip, et al.

* cited by examiner

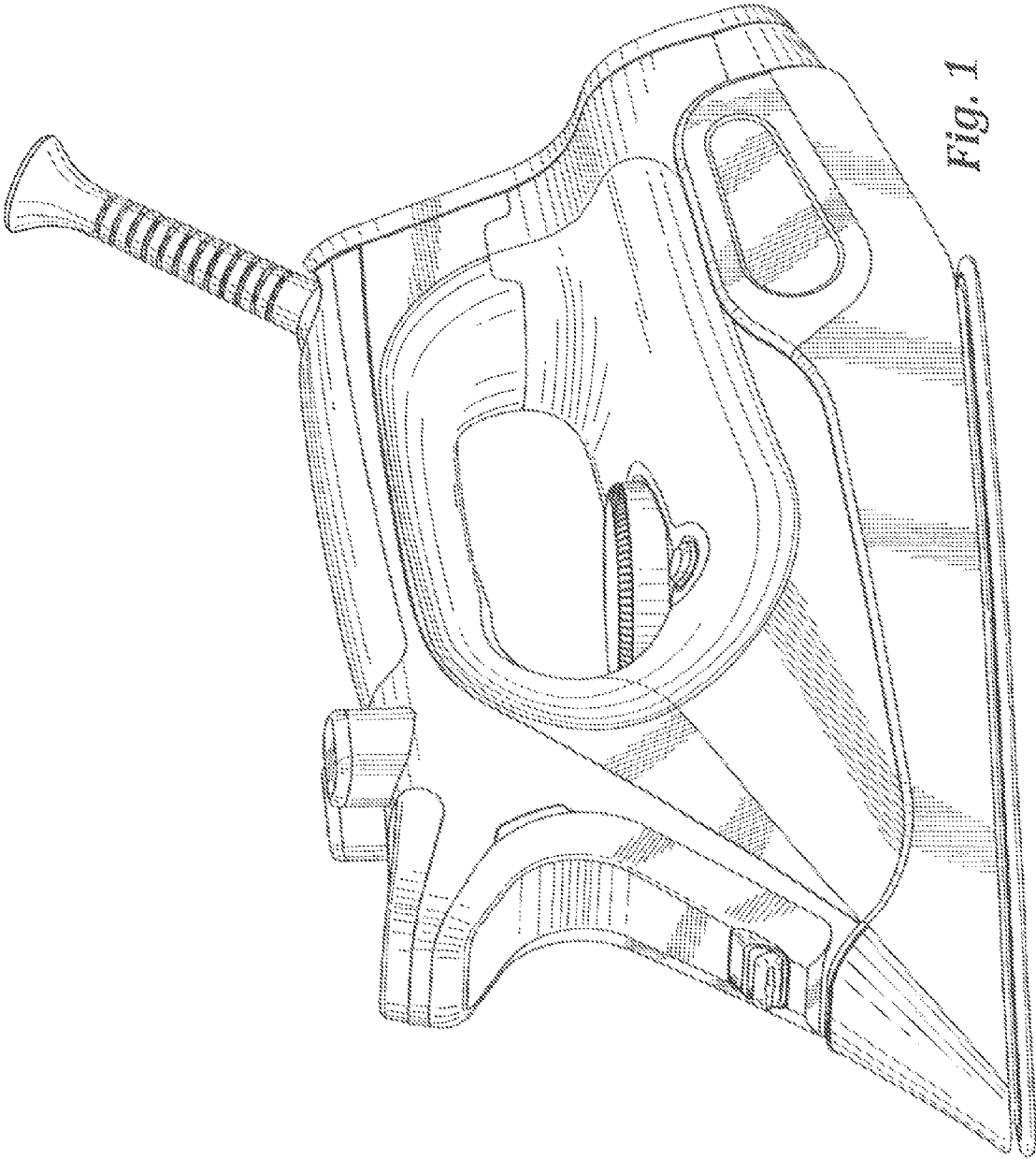
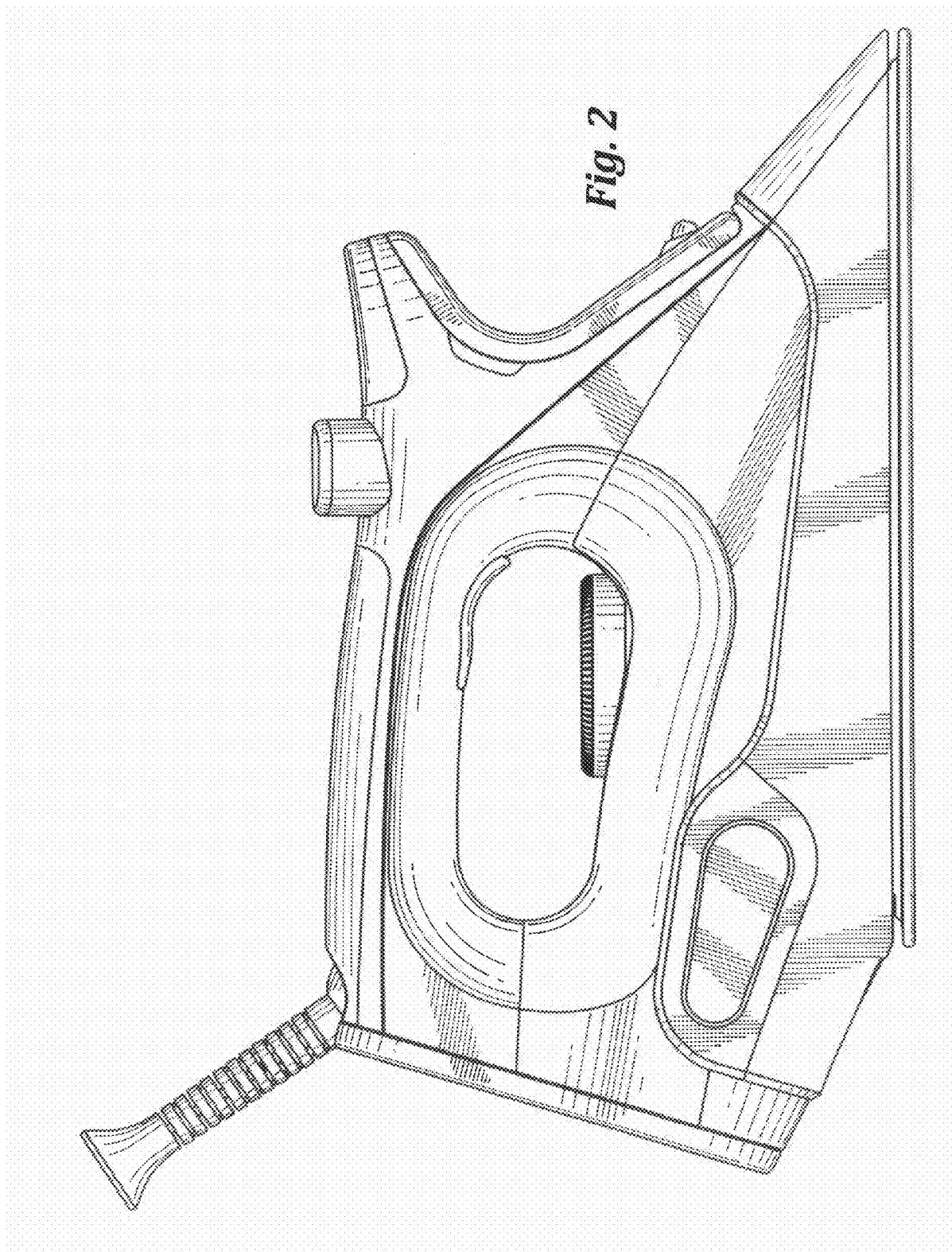
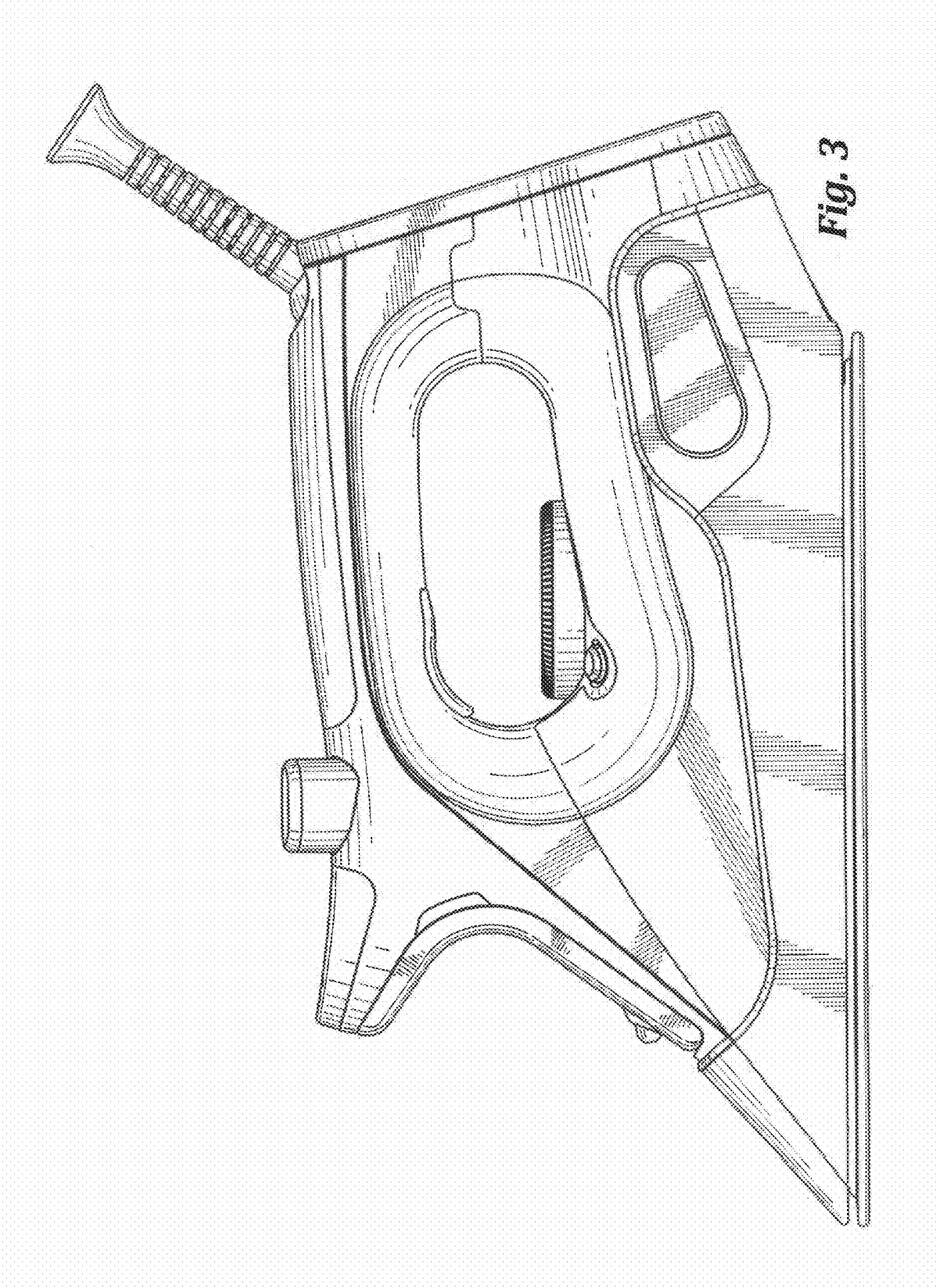


Fig. 1





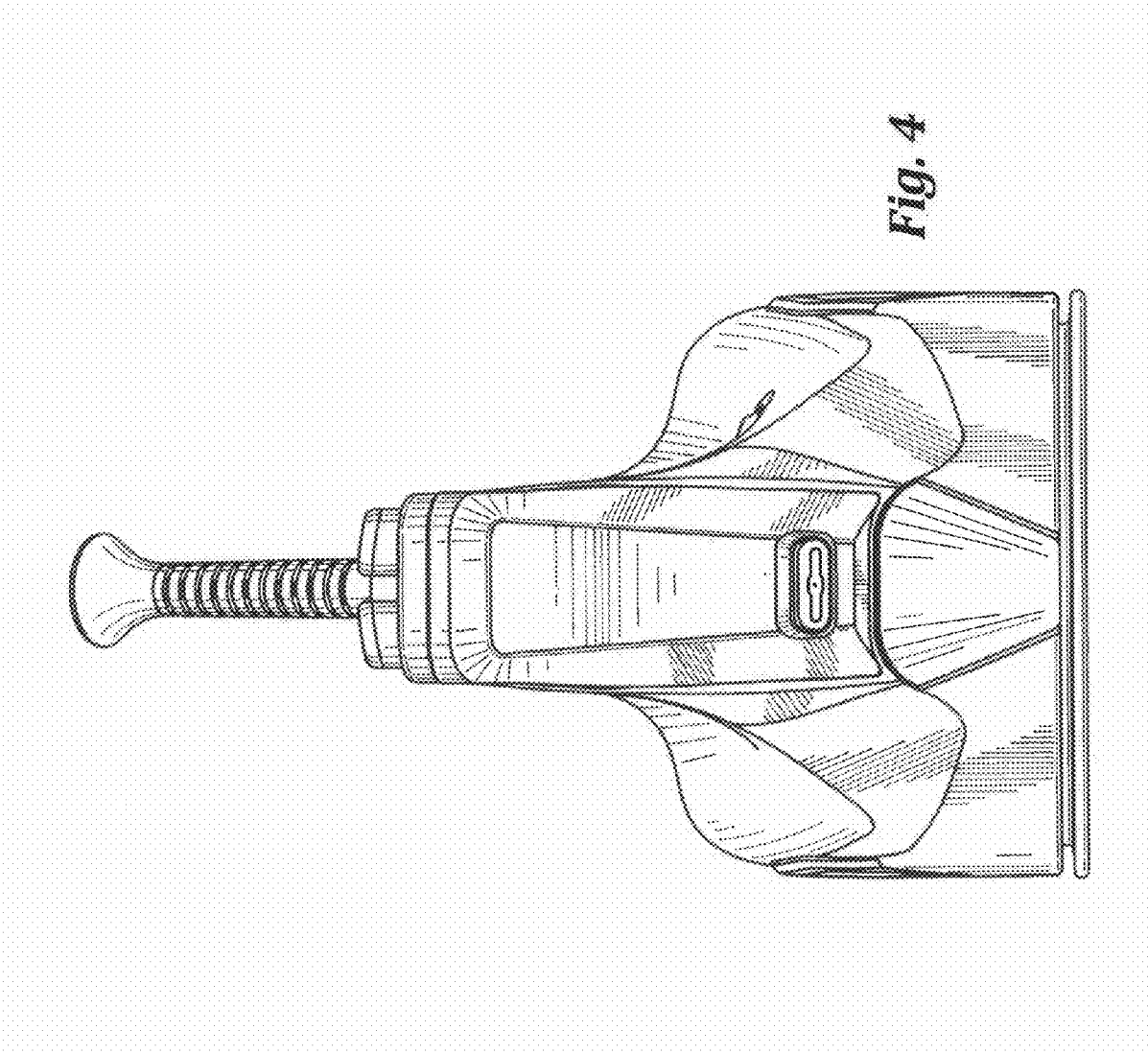


Fig. 4

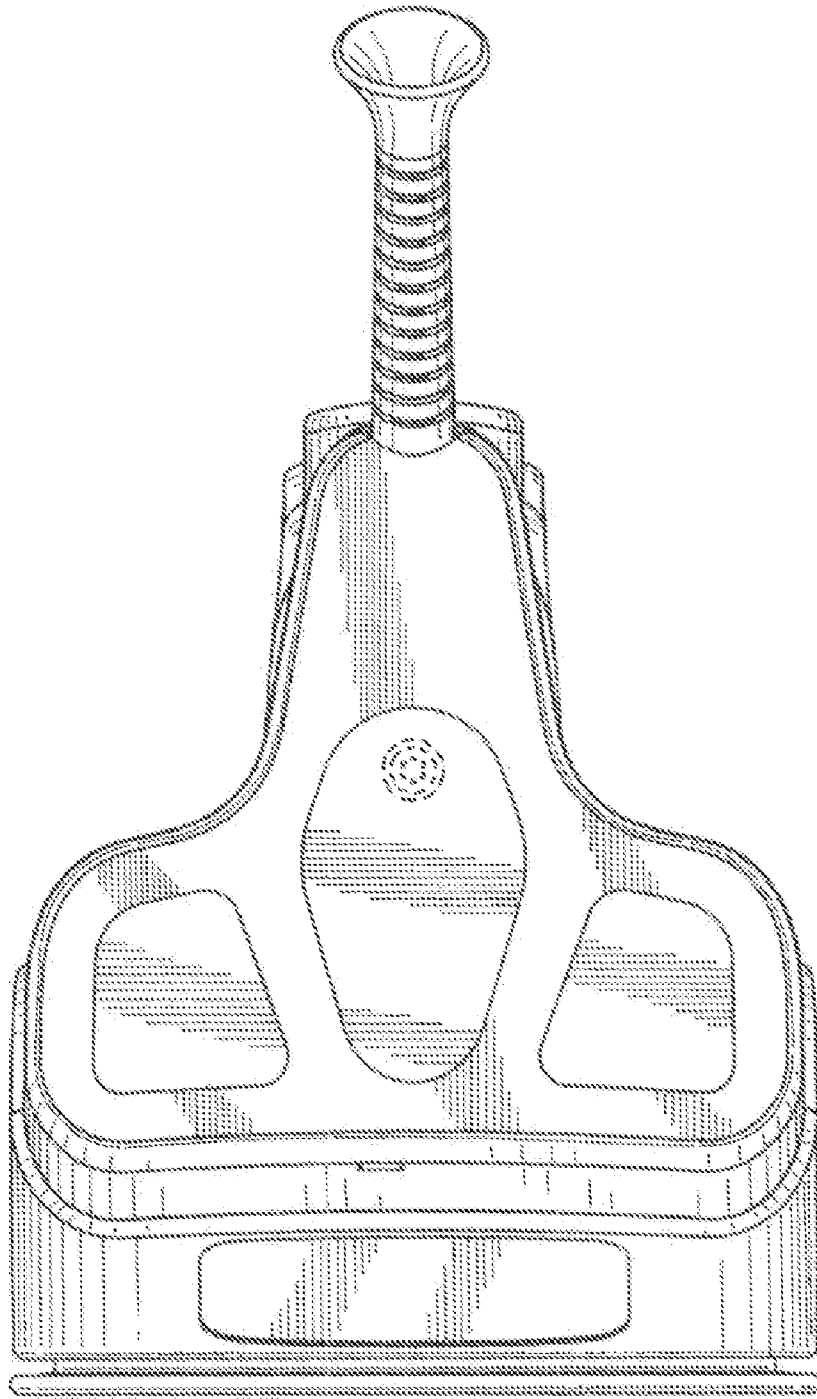


Fig. 5

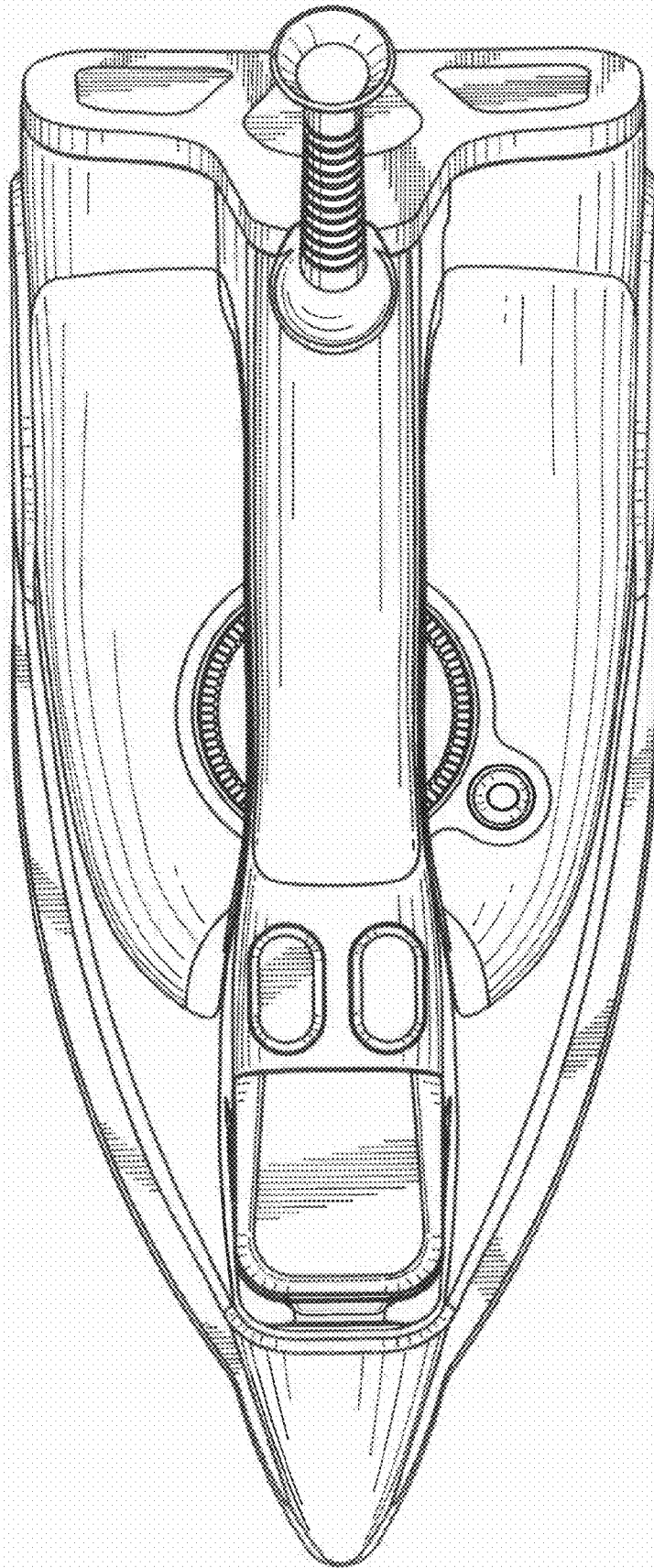


Fig. 6

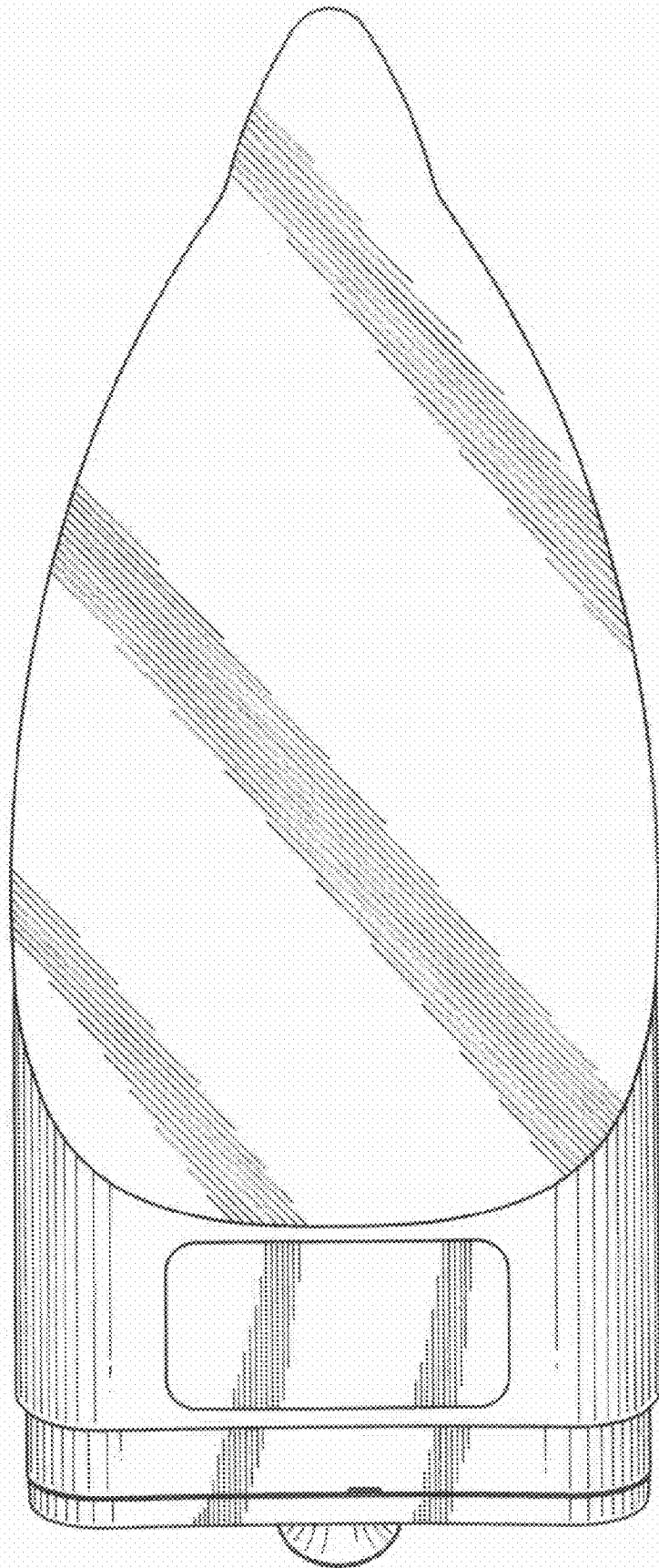


Fig. 7