



US00D940972S

(12) **United States Design Patent**  
**Pei**

(10) **Patent No.:** **US D940,972 S**

(45) **Date of Patent:** **\*\* Jan. 11, 2022**

(54) **FLOOR CLEANING MACHINE**

(71) Applicant: **Cunzhu Pei, Anhui (CN)**

(72) Inventor: **Cunzhu Pei, Anhui (CN)**

(\*\*) Term: **15 Years**

(21) Appl. No.: **29/720,989**

(22) Filed: **Jan. 16, 2020**

(30) **Foreign Application Priority Data**

Aug. 26, 2019 (CN) ..... 201930466017.X

(51) **LOC (13) CL.** ..... **15-05**

(52) **U.S. CL.**  
USPC ..... **D32/22**

(58) **Field of Classification Search**  
USPC ..... D32/17, 18, 21, 22, 23, 24, 31; D21/526  
CPC ..... A46B 9/06; A47L 5/24; A47L 5/28; A47L  
5/30; A47L 5/34; A47L 7/0004; A47L  
9/04; A47L 9/325; A47L 9/1683; A47L  
11/302; A47L 11/34; A47L 11/4005;  
A47L 11/4008; A47L 11/4016; A47L  
11/4041; A47L 11/4044; A47L 11/4088;  
A47L 13/225; B04C 5/185; B08B 3/04;  
B23Q 11/0046; B23Q 11/0071; E04H  
4/1636

See application file for complete search history.

(56) **References Cited**

**U.S. PATENT DOCUMENTS**

D440,018 S *	4/2001	Oh	.....	D32/22
D533,697 S *	12/2006	Ikeno	.....	D32/22
D537,584 S *	2/2007	Greene	.....	D32/22
D588,760 S *	3/2009	Chun	.....	D32/22
D610,317 S *	2/2010	Lee	.....	D32/22
D768,944 S *	10/2016	Zhang	.....	D32/22
D775,440 S *	12/2016	Kwon	.....	D32/22
D783,912 S *	4/2017	Shin	.....	D32/22
D789,004 S *	6/2017	Boehler	.....	D32/22
D789,626 S *	6/2017	Bloemendaal	.....	D32/22
D791,421 S *	7/2017	Wu	.....	D32/31

D792,668 S *	7/2017	Yoon	.....	D32/22
D794,880 S *	8/2017	Zhou	.....	D32/22
D824,615 S *	7/2018	Bloemendaal	.....	D32/22
D836,863 S *	12/2018	Theising	.....	D32/22
D844,267 S *	3/2019	Zhou	.....	D32/22

(Continued)

**FOREIGN PATENT DOCUMENTS**

JP	D1656921	*	4/2020
JP	D1656958	*	4/2020

**OTHER PUBLICATIONS**

Bissell 1538A Powerglide Cordless Vacuum Cleaner, available in Amazon.co.uk, date first available Sep. 1, 2015 [online], [site visited Apr. 20, 2021], Available from the internet . . . URL: [https://www.amazon.co.uk/BISSELL-Powerglide-Cordless-Vacuum-Cleaner/dp/B010X3VN9U/ref=sr\\_1\\_17?dchild=1&keywords=BISSELL+Aeroswift+Compact+Vacuum&qid=1619134425&sr=8-17](https://www.amazon.co.uk/BISSELL-Powerglide-Cordless-Vacuum-Cleaner/dp/B010X3VN9U/ref=sr_1_17?dchild=1&keywords=BISSELL+Aeroswift+Compact+Vacuum&qid=1619134425&sr=8-17) (Year: 2015).\*

(Continued)

*Primary Examiner* — Dana K Weiland  
*Assistant Examiner* — Jennylou M Binas  
(74) *Attorney, Agent, or Firm* — JCIP Global Inc.

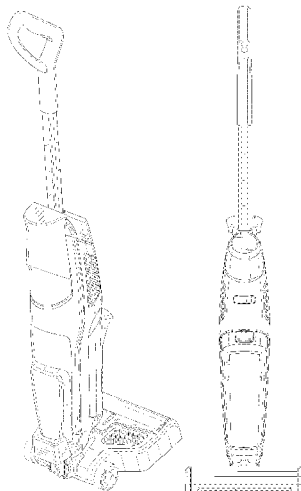
(57) **CLAIM**

The ornamental design for a floor cleaning machine, as shown and described.

**DESCRIPTION**

FIG. 1 is a perspective view of a floor cleaning machine showing my new design;  
FIG. 2 is a front view thereof;  
FIG. 3 is a rear view thereof;  
FIG. 4 is a left side view thereof;  
FIG. 5 is a right side view thereof;  
FIG. 6 is a top view thereof; and,  
FIG. 7 is a bottom view thereof.  
The broken line portions of the floor cleaning machine shown in the drawings form no part of the claimed design.

**1 Claim, 6 Drawing Sheets**



(56)

**References Cited**

## U.S. PATENT DOCUMENTS

D870,995 S \* 12/2019 Burgess ..... D32/22  
D874,762 S \* 2/2020 Tang ..... D32/22  
D875,335 S \* 2/2020 Sagkob ..... D32/22  
D876,036 S \* 2/2020 Irfan ..... D32/22  
D876,037 S \* 2/2020 McRorie ..... D32/22  
D877,430 S \* 3/2020 Hooley ..... D32/22  
D910,945 S \* 2/2021 Miller ..... D32/31  
D911,646 S \* 2/2021 DeBeck ..... D32/45  
D917,810 S \* 4/2021 Knapp ..... D32/22  
11,013,389 B2 \* 5/2021 Resch ..... A47L 11/145  
11,019,966 B2 \* 6/2021 Ashbaugh ..... F26B 21/001  
D926,401 S \* 7/2021 Knapp ..... D32/22  
D926,405 S \* 7/2021 Haverkamp ..... D32/31  
2016/0113462 A1 \* 4/2016 Khalil ..... A47L 9/1658  
15/353  
2017/0135540 A1 \* 5/2017 Newsom ..... A47L 9/04  
2017/0172366 A1 \* 6/2017 Rukavina ..... A47L 9/122  
2020/0060494 A1 \* 2/2020 Lydic ..... A47L 11/4041  
2020/0060496 A1 \* 2/2020 Dawson ..... A47L 11/4005  
2020/0390302 A1 \* 12/2020 Davila ..... A47L 9/0494

2021/0153708 A1 \* 5/2021 Xia ..... A46B 1/00  
2021/0186283 A1 \* 6/2021 Nguyen ..... A47L 9/0477  
2021/0186291 A1 \* 6/2021 Nguyen ..... A47L 11/302  
2021/0228046 A1 \* 7/2021 Nguyen ..... A47L 11/302  
2021/0244253 A1 \* 8/2021 Miller ..... A47L 11/02

## OTHER PUBLICATIONS

Tineco Floor One S3 Smart Cordless Wet Dry Vacuum Cleaner, available in Amazon.ca, date first available Mar. 7, 2020 [online], [site visited Apr. 20, 2021], Available from the internet . . . URL: [https://www.amazon.ca/Bissell-1543E-Symphony-Vacuum-Purple/dp/B073PCJ4SL/ref=sr\\_1\\_5?dchild=1&keywords=Bissell+Symphony+All-in-One+P%E2%80%A6](https://www.amazon.ca/Bissell-1543E-Symphony-Vacuum-Purple/dp/B073PCJ4SL/ref=sr_1_5?dchild=1&keywords=Bissell+Symphony+All-in-One+P%E2%80%A6) (Year: 2020).\*

Bissell 1543E Symphony Pet All-in-One Vacuum and Steam Mop, available in Amazon.ca, date first available Jul. 3, 2017 [online], [site visited Apr. 20, 2021], Available from the internet URL: [https://www.amazon.ca/Bissell-1543E-Symphony-Vacuum-Purple/dp/B073PCJ4SL/ref=sr\\_1\\_5?dchild=1&keywords=Bissell+Symphony+All-in-One+P%E2%80%A6](https://www.amazon.ca/Bissell-1543E-Symphony-Vacuum-Purple/dp/B073PCJ4SL/ref=sr_1_5?dchild=1&keywords=Bissell+Symphony+All-in-One+P%E2%80%A6) (Year: 2017).\*

\* cited by examiner

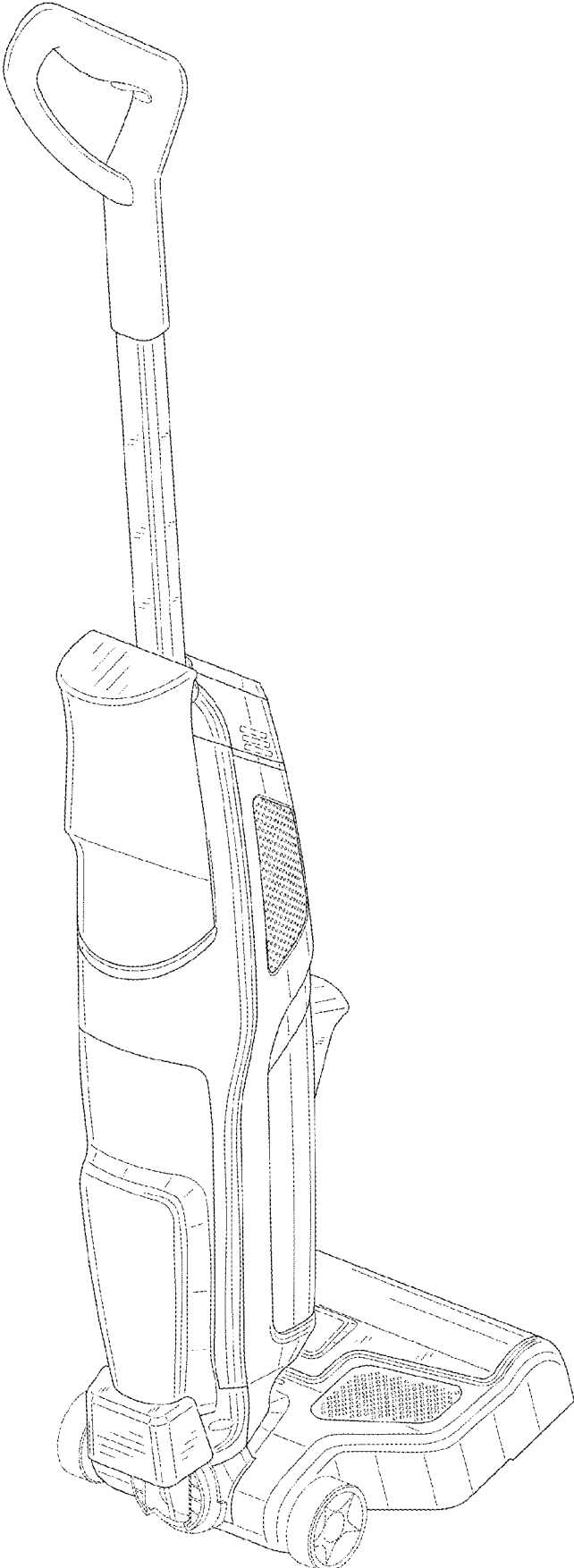


FIG. 1

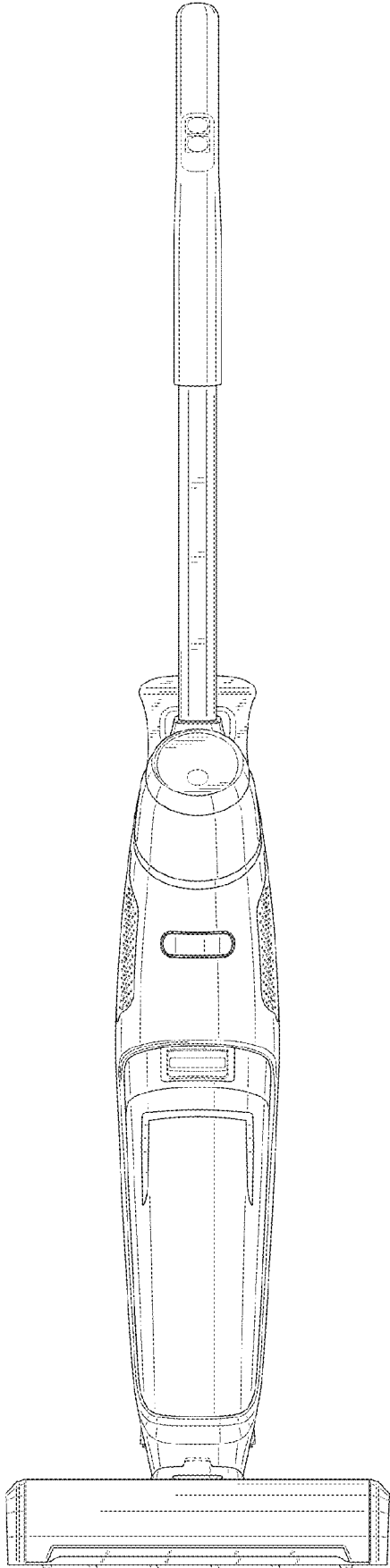


FIG. 2

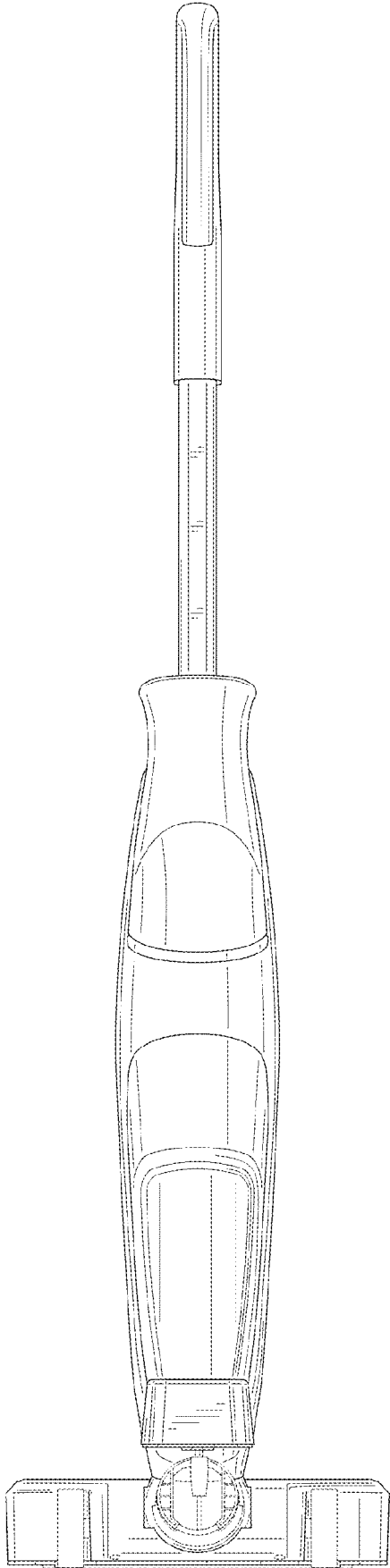


FIG. 3

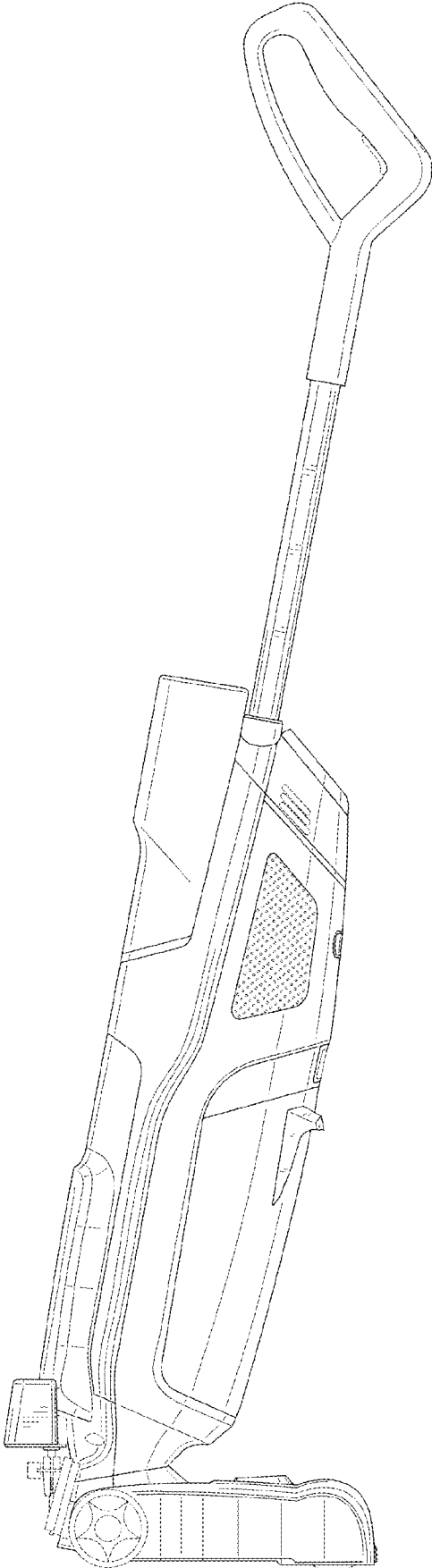


FIG. 4

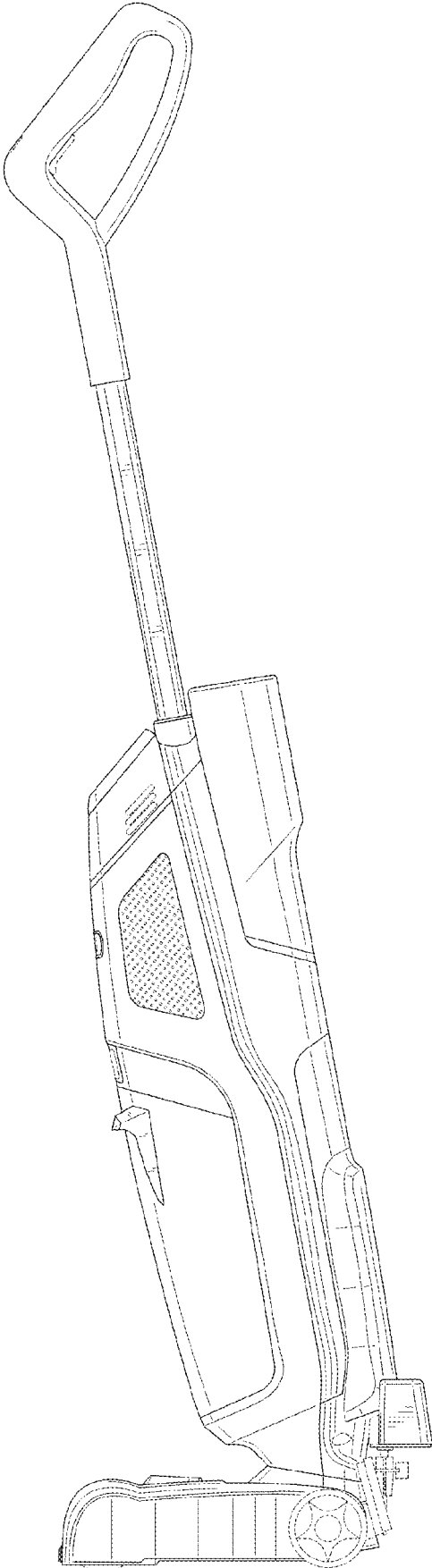


FIG. 5

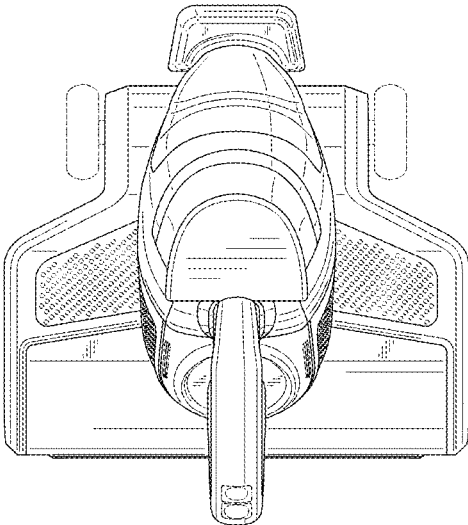


FIG. 6

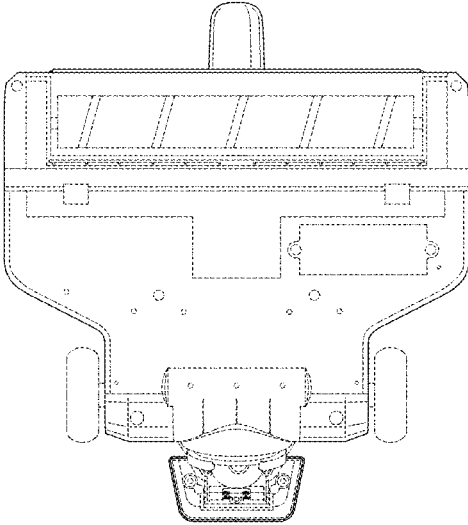


FIG. 7