



US00D739912S

(12) **United States Design Patent**
Norberg

(10) **Patent No.:** **US D739,912 S**

(45) **Date of Patent:** **** Sep. 29, 2015**

(54) **MOSIN NAGANT ROUND RECEIVER MOUNT**

(71) Applicant: **ROCKSOLID INDUSTRIES LLC**,
Lexington, MO (US)

(72) Inventor: **Kenneth M. Norberg**, Lexington, MO
(US)

(73) Assignee: **ROCKSOLID INDUSTRIES LLC**,
Lexington, MO (US)

(**) Term: **14 Years**

(21) Appl. No.: **29/492,630**

(22) Filed: **Jun. 2, 2014**

(51) **LOC (10) Cl.** **22-01**

(52) **U.S. Cl.**
USPC **D22/108**

(58) **Field of Classification Search**
USPC D22/108; 42/90, 85, 106, 113-114,
42/124-128; 89/37.03-37.04, 41.17;
248/201, 205.1

CPC F41C 23/00; F41C 27/00; F41C 27/06
See application file for complete search history.

(56) **References Cited**

U.S. PATENT DOCUMENTS

D269,988 S *	8/1983	Ross	D22/110
D274,540 S *	7/1984	Bechtel	D22/110
D291,470 S *	8/1987	Bechtel	D22/110
D318,313 S *	7/1991	Bechtel	D22/110
D322,834 S *	12/1991	Lawlor	D22/110
D329,079 S *	9/1992	Sanders	D22/109
D357,723 S *	4/1995	Eddleman	D22/110
D360,250 S *	7/1995	Coste	D22/110
D364,668 S *	11/1995	Keng	D22/110
D367,312 S *	2/1996	Martel	D22/110
5,522,166 A *	6/1996	Martel	42/124

5,941,006 A *	8/1999	Horton	42/124
D502,244 S *	2/2005	Oz	D22/109
D578,177 S	10/2008	Norberg et al.		
D579,511 S	10/2008	Norberg et al.		
D652,471 S *	1/2012	Storch	D22/110
D670,352 S	11/2012	Norberg et al.		
D673,239 S *	12/2012	Cheng	D22/109
2012/0131838 A1 *	5/2012	Edge et al.	42/90

OTHER PUBLICATIONS

U.S. Appl. No. 29/483,756, Norberg.

U.S. Appl. No. 29/483,757, Norberg.

(Continued)

Primary Examiner — Michael A Pratt

(74) *Attorney, Agent, or Firm* — Stinson Leonard Street LLP

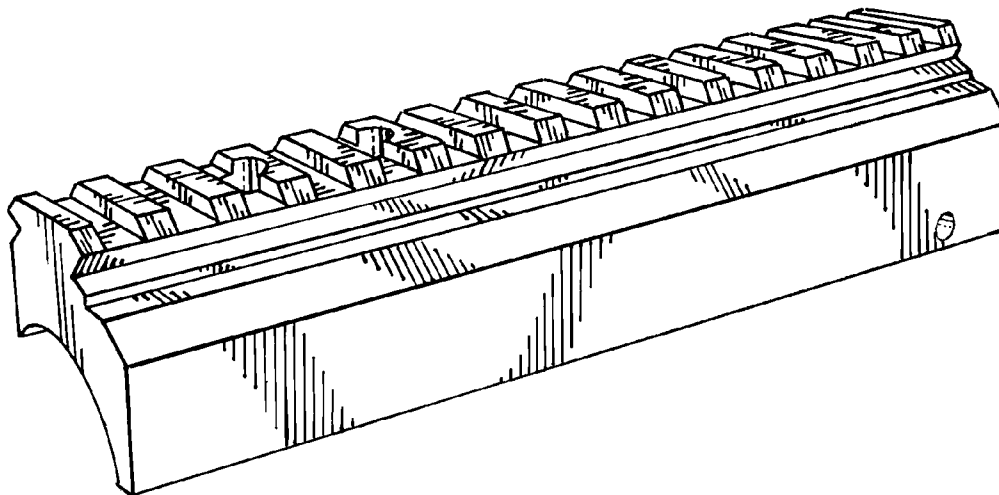
(57) **CLAIM**

The ornamental design for a mosin nagant round receiver mount, as shown and described.

DESCRIPTION

FIG. 1 is a rear perspective view of the mosin nagant round receiver mount;
 FIG. 2 is a left side elevational view of the mosin nagant round receiver mount of FIG. 1;
 FIG. 3 is a top plan view of the mosin nagant round receiver mount of FIG. 1;
 FIG. 4 is a front elevational view of the mosin nagant round receiver mount of FIG. 1;
 FIG. 5 is a right side elevational view of the mosin nagant round receiver mount of FIG. 1;
 FIG. 6 is a rear elevational view of the mosin nagant round receiver mount of FIG. 1;
 FIG. 7 is a bottom plan view of the mosin nagant round receiver mount of FIG. 1; and,
 FIG. 8 is a front perspective view of the mosin nagant round receiver mount of FIG. 1.

1 Claim, 3 Drawing Sheets



(56)

References Cited

OTHER PUBLICATIONS

U.S. Appl. No. 29/492,632, Norberg.

True Shot Technologies LLC mount shown in Exhibits A and B, nine pages, publicly disclosed in Nov. 2013.

* cited by examiner

Fig. 1.

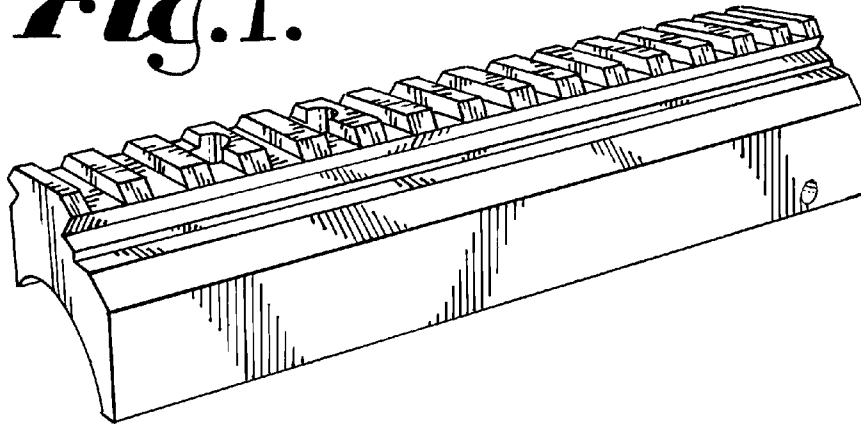


Fig. 2.

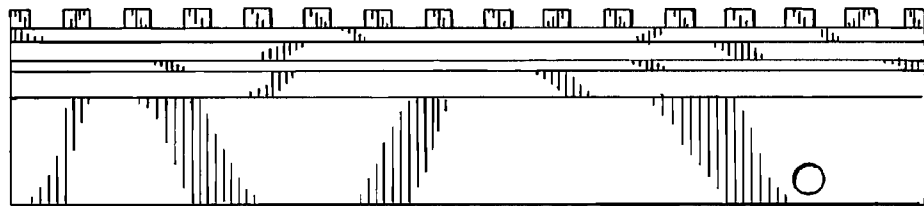


Fig. 3.

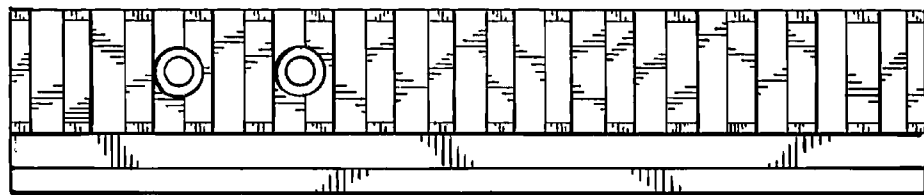


Fig. 4.

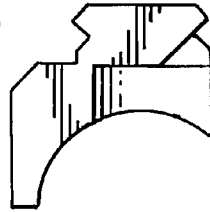


Fig. 5.

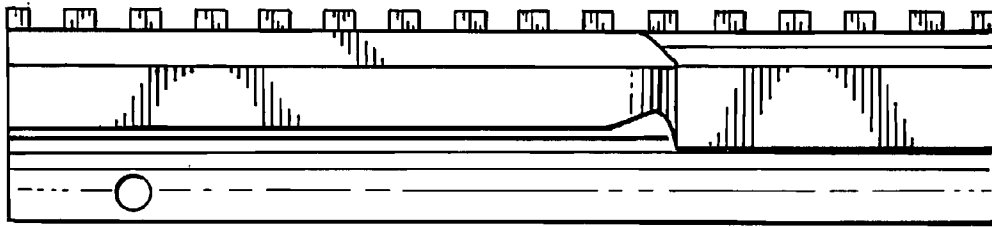


Fig. 6.

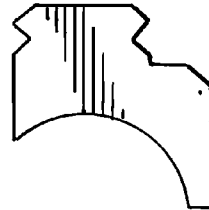


Fig. 7.

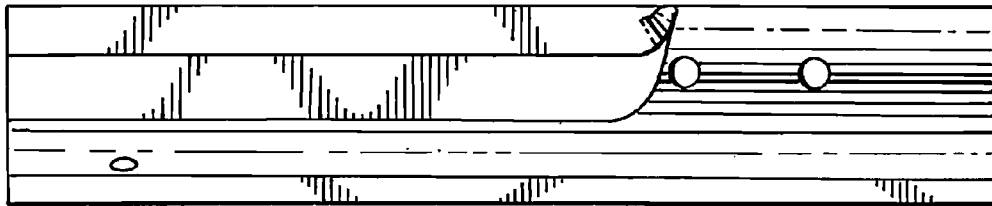


FIG. 8.

