



US00D883056S

(12) **United States Design Patent**  
**Turner**

(10) **Patent No.:** **US D883,056 S**

(45) **Date of Patent:** **\*\* \*May 5, 2020**

(54) **CIRCULAR SAW**

(71) Applicant: **EVOLUTION POWER TOOLS LIMITED**, Sheffield (GB)

(72) Inventor: **Laurence Turner**, Sheffield (GB)

(\* ) Notice: This patent is subject to a terminal disclaimer.

(\*\*) Term: **15 Years**

(21) Appl. No.: **35/504,417**

(22) Filed: **Nov. 22, 2017**

(80) **Hague Agreement Data**  
 Int. Filing Date: **Nov. 22, 2017**  
 Int. Reg. No.: **DM/099431**  
 Int. Reg. Date: **Nov. 22, 2017**  
 Int. Reg. Pub. Date: **Feb. 9, 2018**

(51) **LOC (12) Cl.** ..... **08-03**

(52) **U.S. Cl.**  
 USPC ..... **D8/66**

(58) **Field of Classification Search**  
 USPC ..... D8/61, 64, 66; D15/133  
 CPC ..... B27B 9/00  
 See application file for complete search history.

(56) **References Cited**  
 U.S. PATENT DOCUMENTS

4,982,501 A \* 1/1991 Sauerwein ..... B27B 9/02  
 30/376

4,999,916 A \* 3/1991 Sistare ..... B27B 9/02  
 30/376

6,202,311 B1 \* 3/2001 Nickels, Jr. .... B27B 9/02  
 30/376

D503,878 S \* 4/2005 Tillman ..... D8/66

D509,118 S \* 9/2005 Schoen ..... D8/66

8,209,872 B1 \* 7/2012 Ende ..... B27B 9/02  
 30/376

D710,172 S \* 8/2014 Tschopp ..... D8/66

D814,899 S \* 4/2018 Suzuki ..... D8/66

D829,523 S \* 10/2018 Kosugi ..... D8/66

D829,779 S \* 10/2018 Vuckovic ..... D15/133

2004/0049926 A1 \* 3/2004 Miklosz ..... B25F 5/02  
 30/391

2007/0074404 A1 \* 4/2007 Zhang ..... B27B 9/02  
 30/376

2007/0193039 A1 \* 8/2007 Onose ..... B23D 45/16  
 30/388

2017/0317548 A1 \* 11/2017 Suzuki ..... H02K 11/30

2018/0169891 A1 \* 6/2018 Wei ..... B27B 9/02

\* cited by examiner

*Primary Examiner* — Deanna L Pratt

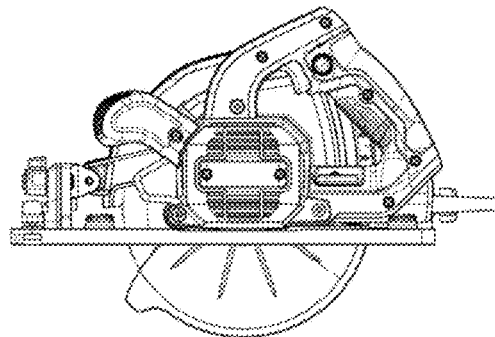
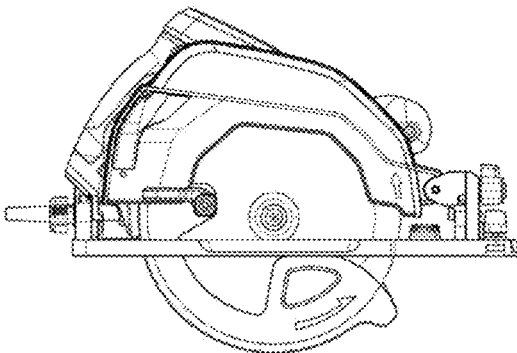
(57) **CLAIM**

The ornamental design for a circular saw, as shown and described.

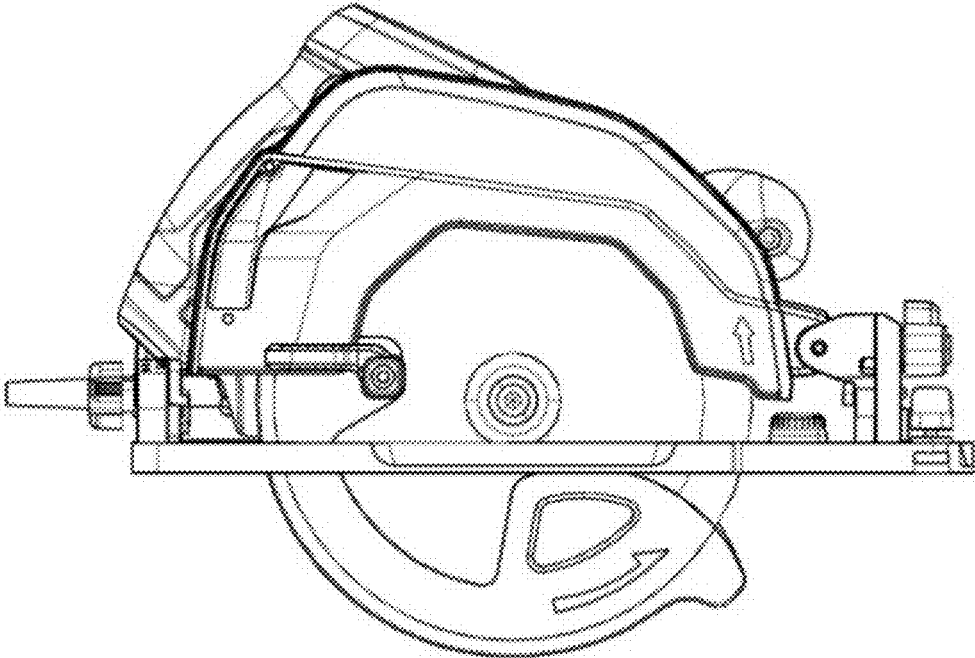
**DESCRIPTION**

- 1. Circular saw
- 1.1 : Right
- 1.2 : Left
- 1.3 : Front
- 1.4 : Back
- 1.5 : Bottom
- 1.6 : Perspective
- 1.7 : Top

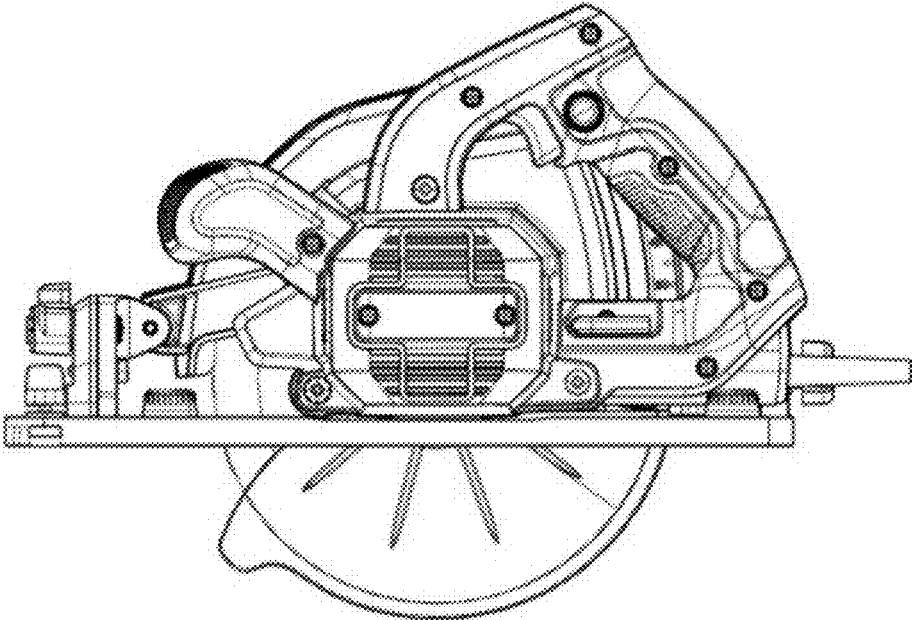
**1 Claim, 7 Drawing Sheets**



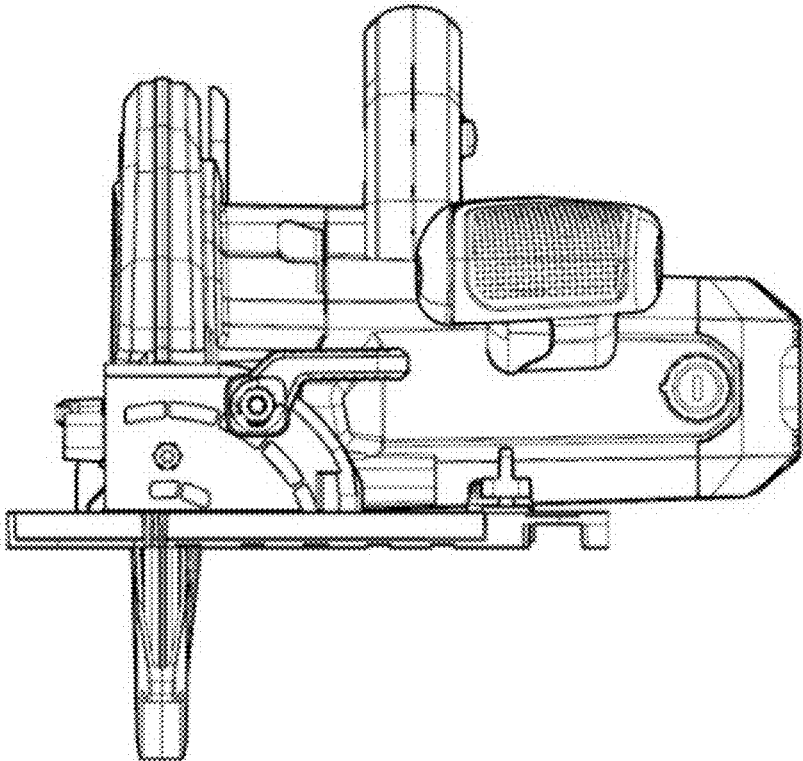
1.1



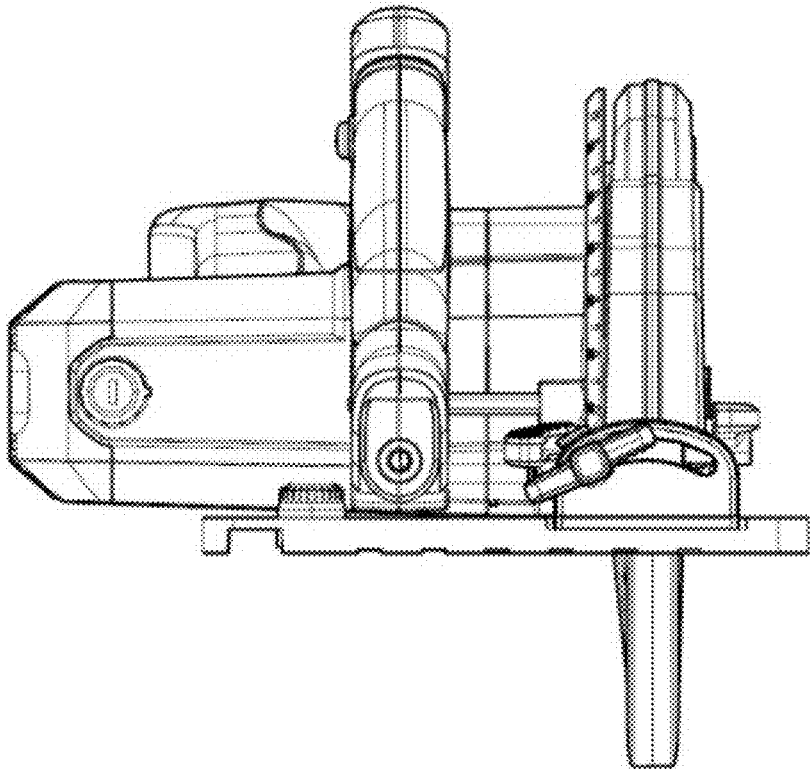
1.2



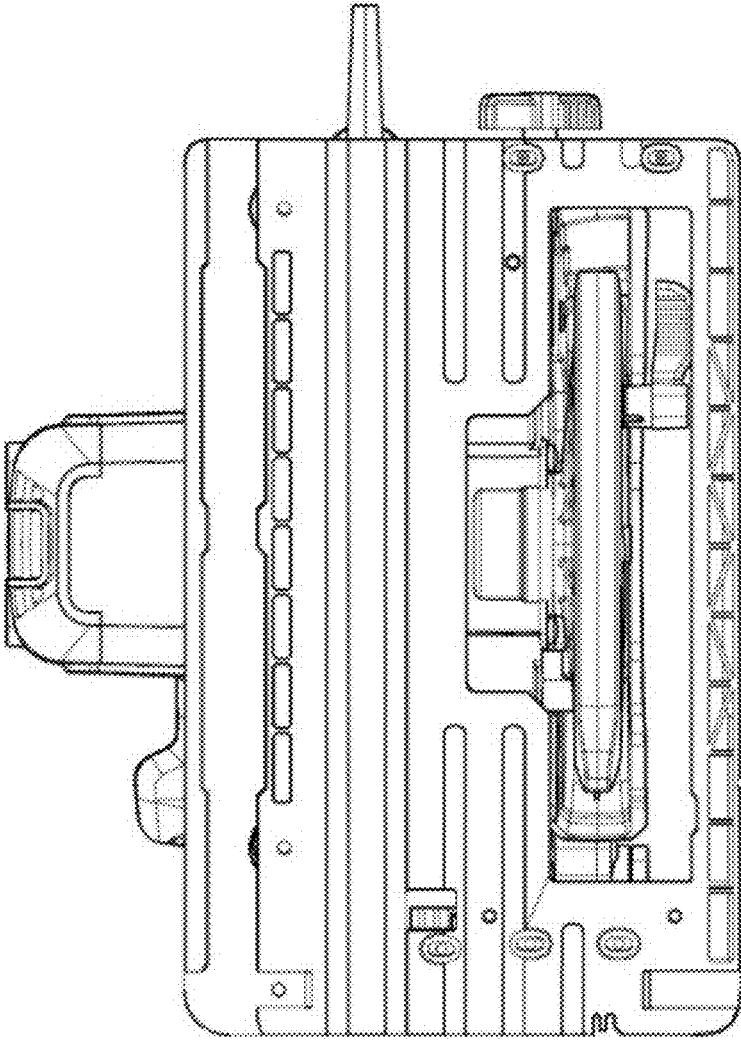
1.3



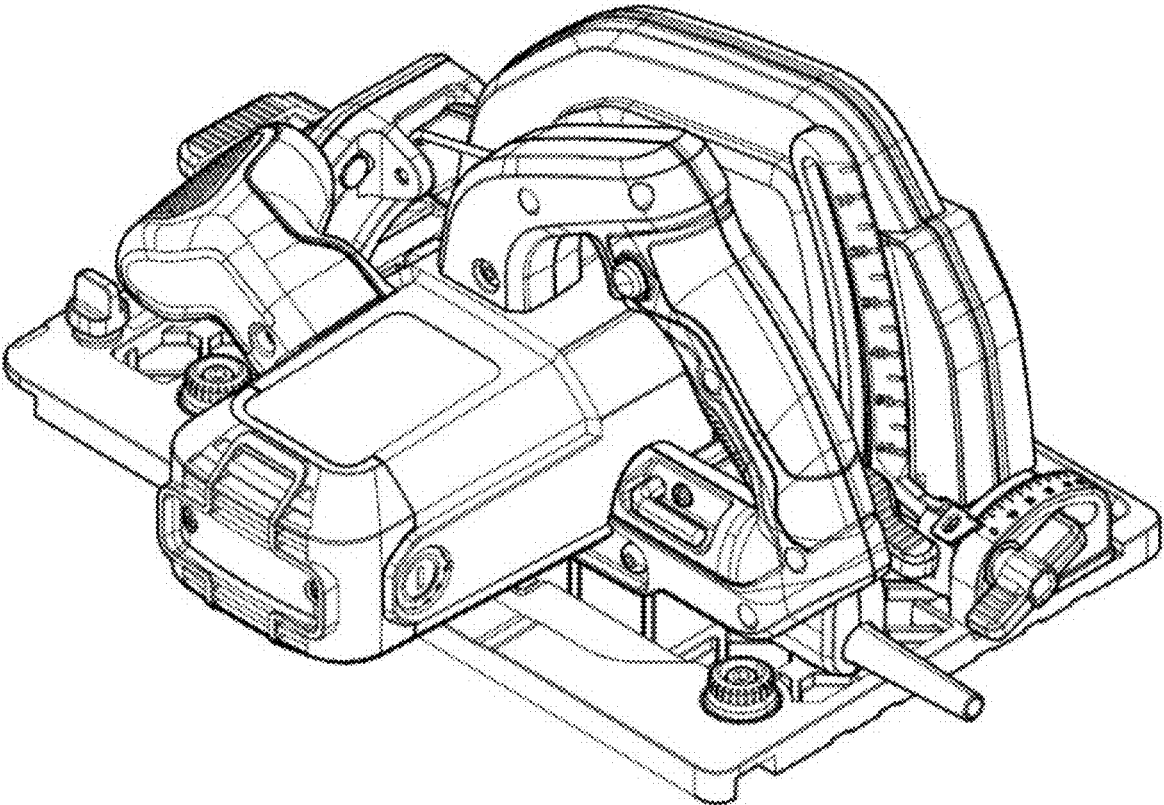
1.4



1.5



1.6



1.7

