



US00D740930S

(12) **United States Design Patent**  
**Pipe et al.**

(10) **Patent No.:** **US D740,930 S**

(45) **Date of Patent:** **\*\* Oct. 13, 2015**

(54) **NEBULIZER COMPRESSOR**

(56) **References Cited**

(71) Applicant: **KONINKLIJKE PHILIPS N.V.**,  
Eindhoven (NL)

(72) Inventors: **Jeffrey Andrew Pipe**, Pittsburgh, PA  
(US); **Paul Denis McGroary**, Gibsonia,  
PA (US); **Jan Schminke**, Munich (DE);  
**Justin David Cumming**, Topsfield, MA  
(US); **Jason J. Cooper**, Watertown, MA  
(US)

U.S. PATENT DOCUMENTS

D376,199	S	*	12/1996	Rozek et al.	.....	D24/110
D437,637	S	*	2/2001	Leonhard et al.	.....	D24/110
D527,098	S	*	8/2006	Cheng	.....	D24/110
D560,795	S	*	1/2008	Lithgow et al.	.....	D24/110
D570,473	S	*	6/2008	Hamaguchi et al.	.....	D24/110
D658,283	S	*	4/2012	Burz et al.	.....	D24/110
D658,755	S	*	5/2012	Lithgow	.....	D24/110
D659,235	S	*	5/2012	Bertinetti et al.	.....	D24/110
D675,730	S	*	2/2013	Lithgow et al.	.....	D24/110
D679,800	S	*	4/2013	Gusky et al.	.....	D24/110
D683,444	S	*	5/2013	Inoue et al.	.....	D24/110
D683,445	S	*	5/2013	Inoue	.....	D24/110
D696,393	S	*	12/2013	Lu	.....	D24/110
D696,394	S	*	12/2013	Lu	.....	D24/110
D708,733	S	*	7/2014	Ng et al.	.....	D24/110

(73) Assignee: **KONINKLIJKE PHILIPS N.V.**,  
Eindhoven (NL)

\* cited by examiner

(\*\*) Term: **14 Years**

*Primary Examiner* — Barbara Fox  
*Assistant Examiner* — Lilyana Bekic  
(74) *Attorney, Agent, or Firm* — Michael W. Haas

(21) Appl. No.: **29/458,134**

(22) Filed: **Jun. 17, 2013**

(57) **CLAIM**  
The ornamental design for a nebulizer compressor, as shown and described.

(30) **Foreign Application Priority Data**

**DESCRIPTION**

Dec. 20, 2012 (EM) ..... 002157545-0002

(51) **LOC (10) Cl.** ..... **24-01**

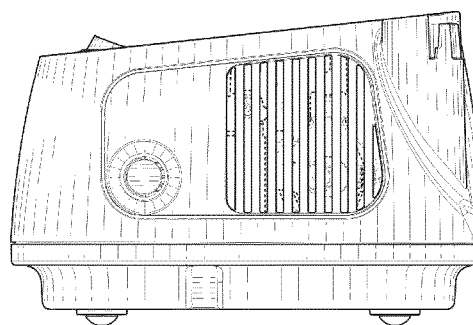
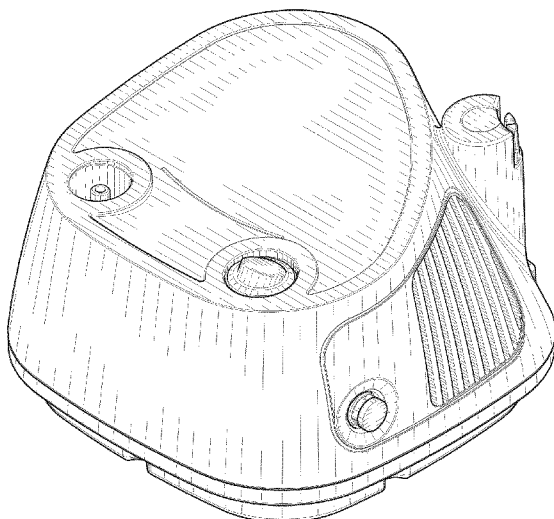
(52) **U.S. Cl.**  
USPC ..... **D24/108**

(58) **Field of Classification Search**  
USPC ..... D24/107, 108, 110, 111, 164; D15/9;  
128/200.14, 200.21, 200.24, 203.12,  
128/204.18

FIG. 1 is a perspective view of a nebulizer compressor showing my new design;  
FIG. 2 is a front elevational view thereof;  
FIG. 3 is a rear elevational view thereof;  
FIG. 4 is a right side elevational view thereof;  
FIG. 5 is a left side elevational view thereof;  
FIG. 6 is a top plan view thereof; and,  
FIG. 7 is a bottom plan view thereof.  
The broken lines in the drawings illustrate portions of the nebulizer compressor that form no part of the claimed design.

See application file for complete search history.

**1 Claim, 5 Drawing Sheets**



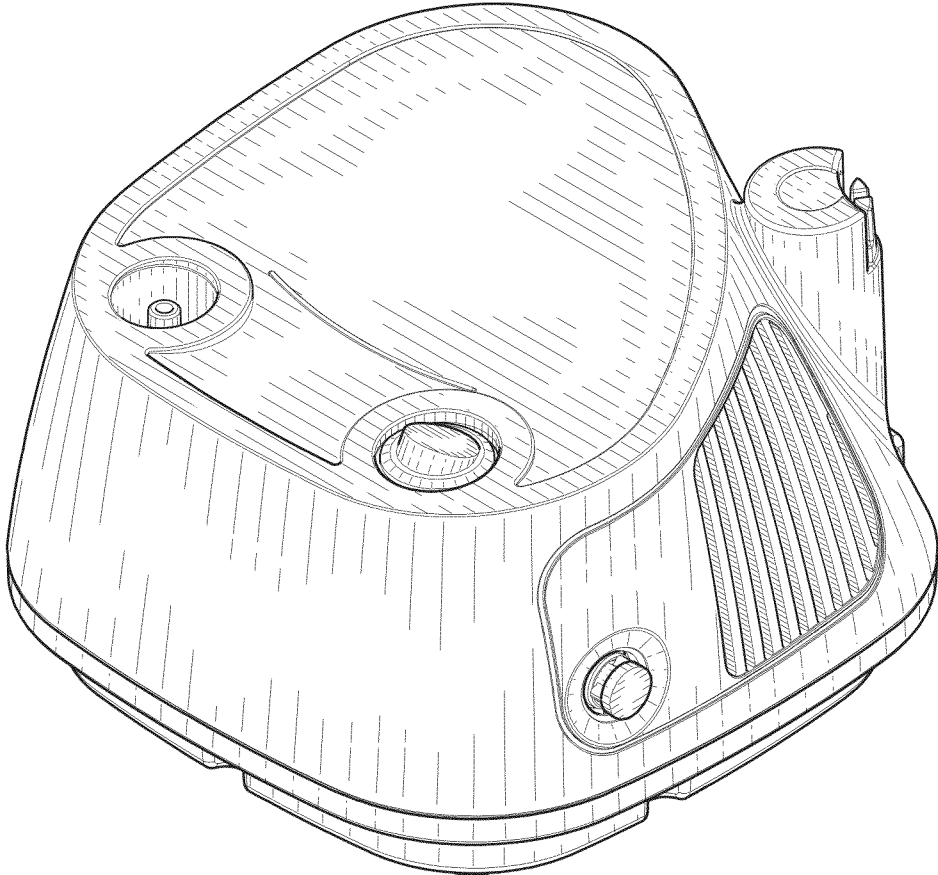


FIG. 1

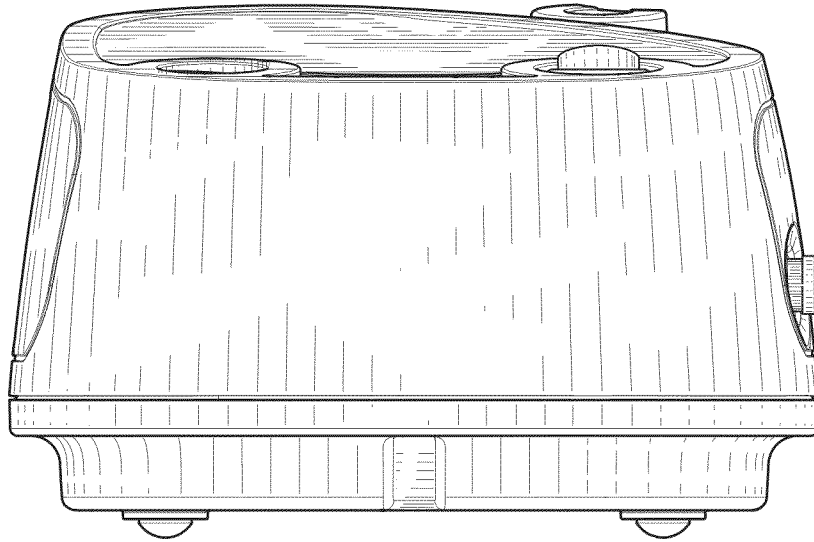


FIG. 2

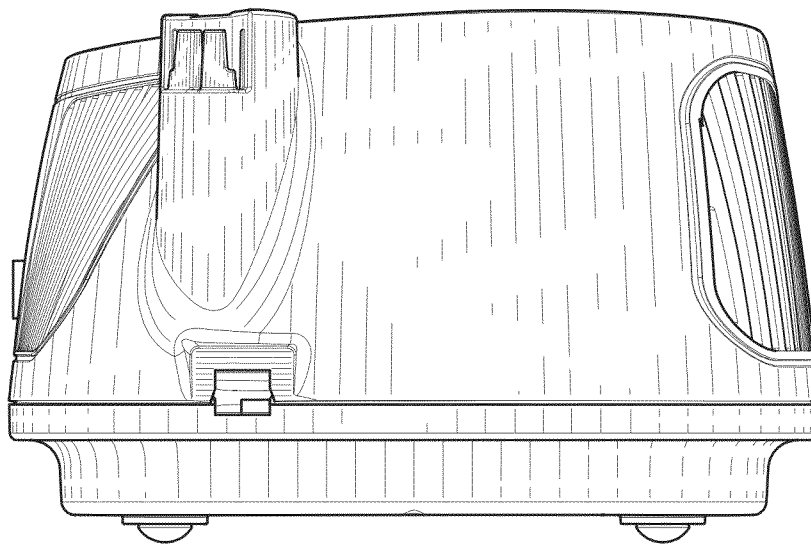


FIG. 3

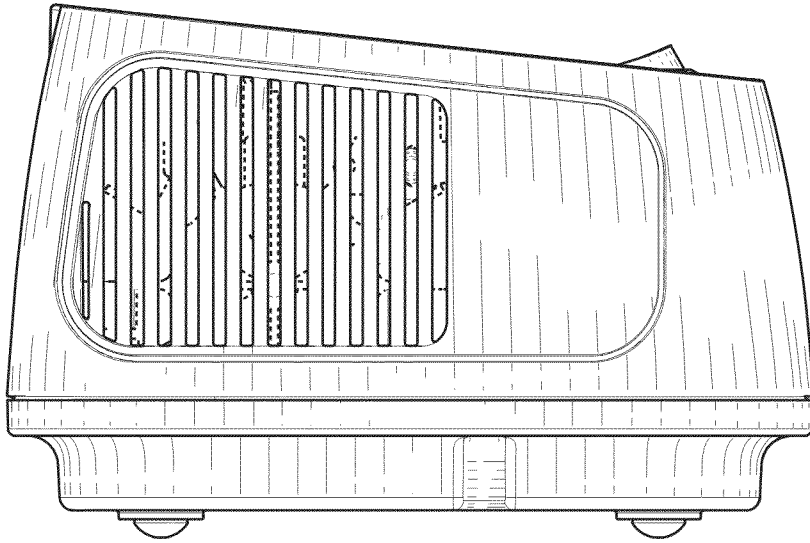


FIG. 4

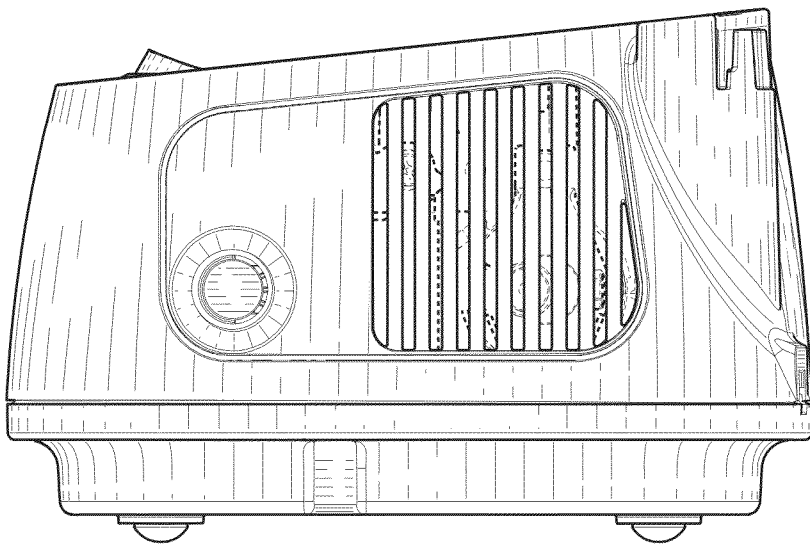


FIG. 5

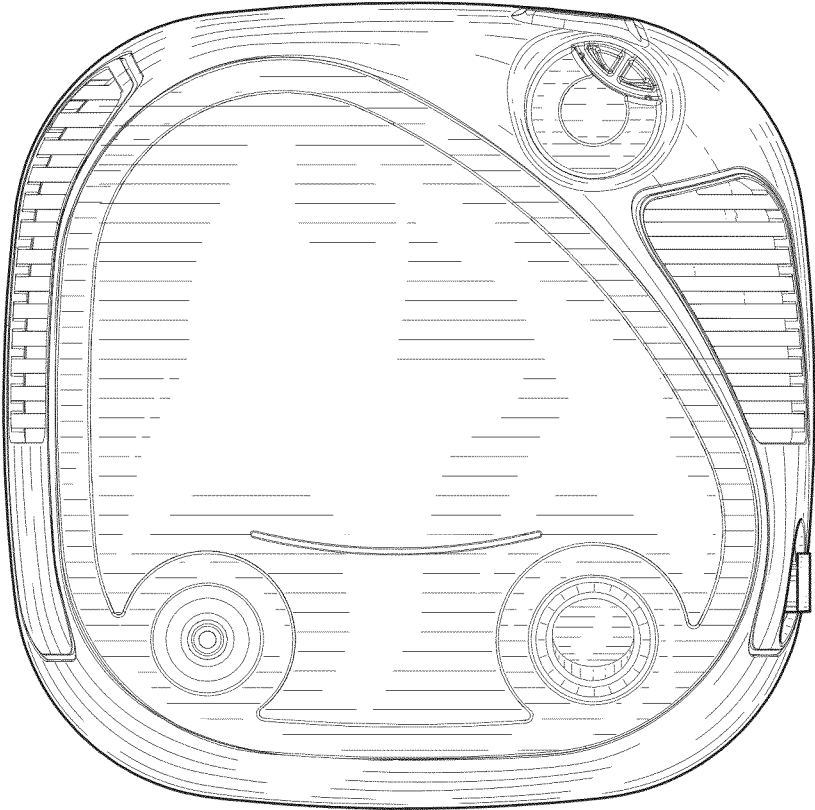


FIG. 6

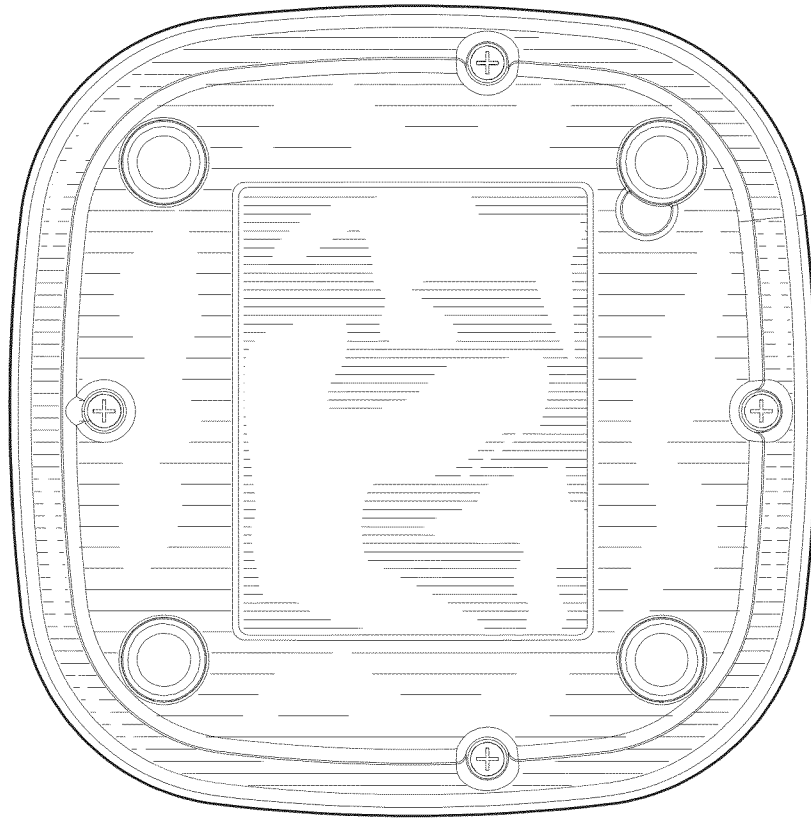


FIG. 7