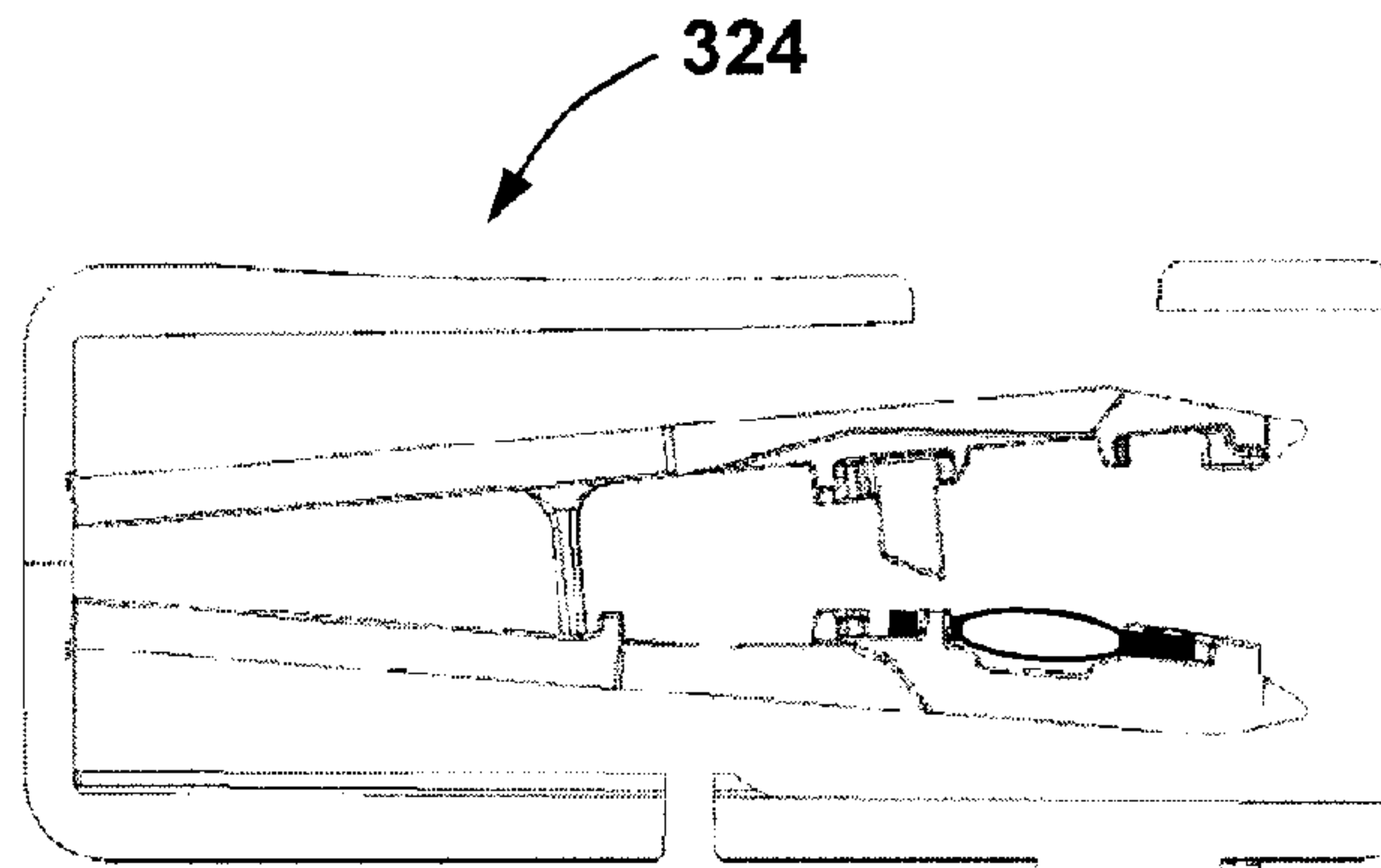




(86) **Date de dépôt PCT/PCT Filing Date:** 2007/01/26  
 (87) **Date publication PCT/PCT Publication Date:** 2007/08/02  
 (45) **Date de délivrance/Issue Date:** 2014/12/09  
 (85) **Entrée phase nationale/National Entry:** 2008/07/24  
 (86) **N° demande PCT/PCT Application No.:** US 2007/061172  
 (87) **N° publication PCT/PCT Publication No.:** 2007/087641  
 (30) **Priorité/Priority:** 2006/01/26 (US60/762,918)

(51) **Cl.Int./Int.Cl. A61F 2/16** (2006.01)  
 (72) **Inventeurs/Inventors:**  
 COLE, MARK S., US;  
 MARTIN, NICHOLAS E., US;  
 ANDERSON, STEVEN R., US;  
 PETERSON, ROD, US  
 (73) **Propriétaire/Owner:**  
 ABBOTT MEDICAL OPTICS INC., US  
 (74) **Agent:** GOWLING LAFLEUR HENDERSON LLP

(54) **Titre : APPAREIL D'INSERTION DE LENTILLE INTRAOCULAIRE ET BOITIER DE LENTILLE**  
 (54) **Title: INTRAOCULAR LENS INSERTION APPARATUS AND LENS CASE**



(57) **Abrégé/Abstract:**

A lens case for storing an intraocular lens contains a housing for storing an intraocular lens and a support member configured to support the intraocular lens. The support member includes a plurality of jaws, the jaws having a closed configuration for holding the intraocular lens and an open configuration for releasing the intraocular lens. The lens case further comprises a passage formed when the jaws are in the open configuration, the passage including an opening in the lens case for transfer of the intraocular lens into an intraocular lens inserter. The lens case may further comprise an intraocular lens that is disposed between the jaws, the intraocular lens comprising an optic and a haptic coupled to the optic. The lens case may be configured to maintain the haptic in either a first position in which a distal portion of the haptic is disposed farther from the optic or a second position in which the distal portion of the haptic is disposed closer to optic. Preferably, the lens case is configured to provide the second position during transfer of the intraocular lens into an inserter and/or inserter cartridge.

## (12) INTERNATIONAL APPLICATION PUBLISHED UNDER THE PATENT COOPERATION TREATY (PCT)

(19) World Intellectual Property Organization  
International Bureau



(43) International Publication Date  
2 August 2007 (02.08.2007)

PCT

(10) International Publication Number  
**WO 2007/087641 A3**

(51) International Patent Classification:  
A61F 2/16 (2006.01)

(21) International Application Number:

PCT/US2007/061172

(22) International Filing Date: 26 January 2007 (26.01.2007)

(25) Filing Language:

English

(26) Publication Language:

English

(30) Priority Data:

60/762,918 26 January 2006 (26.01.2006) US

(71) Applicant (for all designated States except US): **ADVANCED MEDICAL OPTICS, INC.** [US/US]; 1700 E. St. Andrew Place, Santa Ana, CA 92705 (US).

(72) Inventors; and

(75) Inventors/Applicants (for US only): **COLE, Mark, S.** [US/US]; 21251 Hillgate, Trabuco Canyon, CA 92679 (US). **MARTIN, Nicholas, E.** [US/US]; 23592 Windsong, Apt. #55k, Aliso Viejo, CA 92656 (US). **ANDERSON, Steven, R.** [US/US]; 24 Silkwood Lane, Rancho Santa Margarita, CA 92688 (US). **PETERSON, Rod** [US/US]; 265 Robinson Drive, Tustin Ranch, CA 92782 (US).

(74) Agent: **WEBEER, David**; Advanced Medical Optics, Inc., 1700 E. St. Andrew Place, Santa Ana, CA 92705 (US).

(81) Designated States (unless otherwise indicated, for every kind of national protection available): AE, AG, AL, AM, AT, AU, AZ, BA, BB, BG, BR, BW, BY, BZ, CA, CH, CN, CO, CR, CU, CZ, DE, DK, DM, DZ, EC, EE, EG, ES, FI, GB, GD, GE, GH, GM, GT, HN, HR, HU, ID, IL, IN, IS, JP, KE, KG, KM, KN, KP, KR, KZ, LA, LC, LK, LR, LS, LT, LU, LV, LY, MA, MD, MG, MK, MN, MW, MX, MY, MZ, NA, NG, NI, NO, NZ, OM, PG, PH, PL, PT, RO, RS, RU, SC, SD, SE, SG, SK, SL, SM, SV, SY, TJ, TM, TN, TR, TT, TZ, UA, UG, US, UZ, VC, VN, ZA, ZM, ZW.

(84) Designated States (unless otherwise indicated, for every kind of regional protection available): ARIPO (BW, GH, GM, KE, LS, MW, MZ, NA, SD, SL, SZ, TZ, UG, ZM, ZW), Eurasian (AM, AZ, BY, KG, KZ, MD, RU, TJ, TM), European (AT, BE, BG, CH, CY, CZ, DE, DK, EE, ES, FI, FR, GB, GR, HU, IE, IS, IT, LT, LU, LV, MC, NL, PL, PT, RO, SE, SI, SK, TR), OAPI (BF, BJ, CF, CG, CI, CM, GA, GN, GQ, GW, ML, MR, NE, SN, TD, TG).

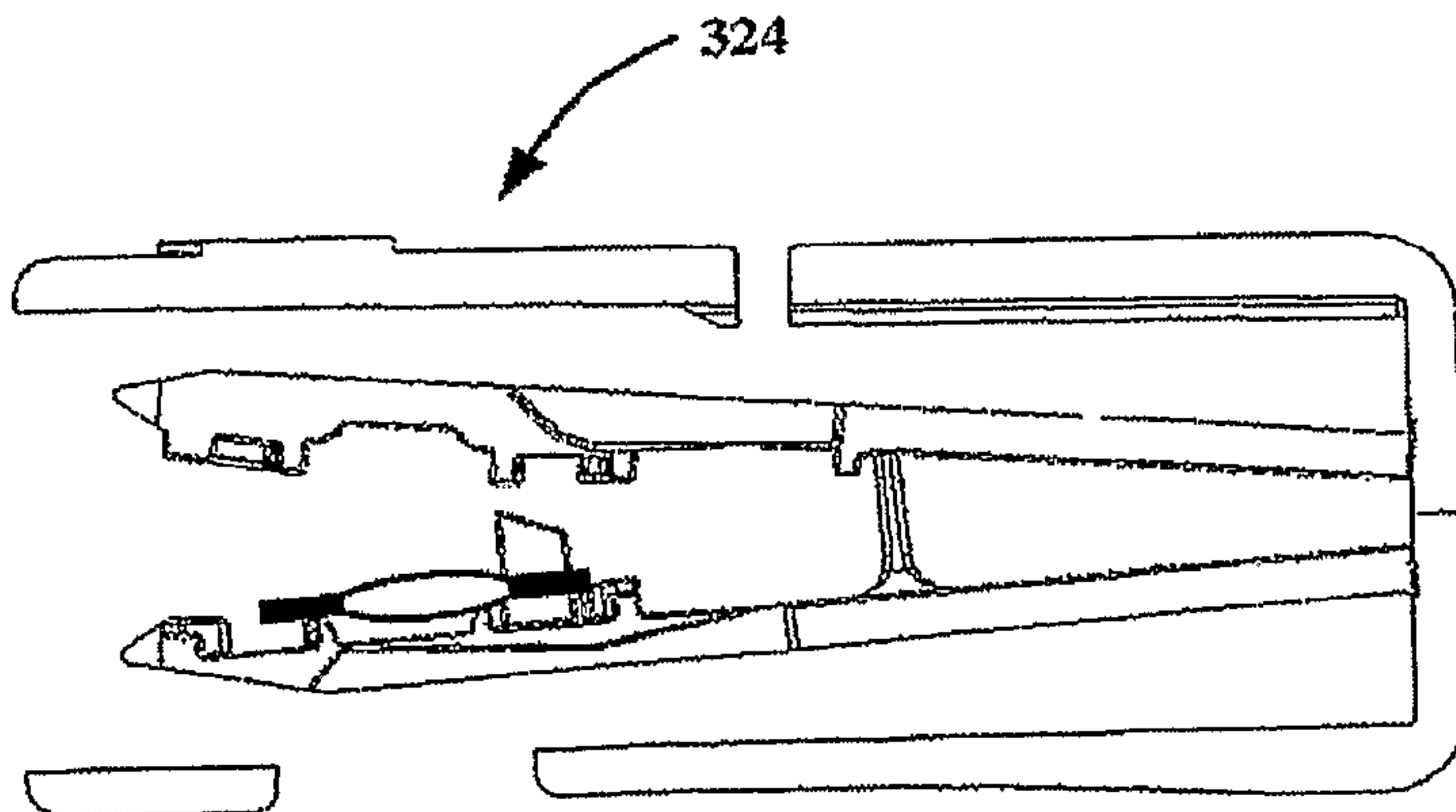
Published:

- with international search report
- before the expiration of the time limit for amending the claims and to be republished in the event of receipt of amendments

(88) Date of publication of the international search report:  
29 November 2007

For two-letter codes and other abbreviations, refer to the "Guidance Notes on Codes and Abbreviations" appearing at the beginning of each regular issue of the PCT Gazette.

(54) Title: INTRAOCULAR LENS INSERTION APPARATUS AND LENS CASE



(57) Abstract: A lens case for storing an intraocular lens contains a housing for storing an intraocular lens and a support member configured to support the intraocular lens. The support member includes a plurality of jaws, the jaws having a closed configuration for holding the intraocular lens and an open configuration for releasing the intraocular lens. The lens case further comprises a passage formed when the jaws are in the open configuration, the passage including an opening in the lens case for transfer of the intraocular lens into an intraocular lens inserter. The lens case may further comprise an intraocular lens that is disposed between the jaws, the intraocular lens comprising an optic and a haptic coupled to the optic. The lens

case may be configured to maintain the haptic in either a first position in which a distal portion of the haptic is disposed farther from the optic or a second position in which the distal portion of the haptic is disposed closer to optic. Preferably, the lens case is configured to provide the second position during transfer of the intraocular lens into an inserter and/or inserter cartridge.



## Intraocular Lens Insertion Apparatus and Lens Case

5

### Background of the Invention

#### Field of the Invention

The present invention relates to devices, systems, and methods for delivering an  
10 intraocular lens into an eye. More particularly, the invention relates to devices, systems, and  
methods in which the intraocular lens is loaded from the front end of the device.

#### Description of the Related Art

Intraocular lenses (IOLs) may be implanted in the eye of a subject to replace the  
natural crystalline lens or to otherwise modify the vision of an eye containing either the  
15 natural lens or another IOL. IOLs commonly include an optic and one or more flexible  
fixation members or haptics extending from the optic to secure and center the optic within  
the eye. When the IOL replaces the natural lens, the natural lens must first be removed, for  
instance, using a phacoemulsification system. The IOL is then generally implanted using an  
insertion apparatus or device that rolls, folds, or otherwise configures the lens for delivery  
20 through a small incision in the eye in a way that reduces trauma and expedites post-surgery  
healing.

Inserters for delivering IOLs into the eye generally employ a cartridge having a  
hollow insertion tube or cannula through which the folded IOL is passed using a pushrod.  
The inserter may be designed for reuse, in which case the inserter components are usually  
25 made of some type of metal alloy. Alternatively, disposable inserters may be used that are  
made of less expensive materials, such as plastics, and that remain in a sterile package until  
ready for use. The pushrod and insertion tube may be designed to advantageously provide  
the surgeon precise control of the IOL as it is placed inside the eye, for example as disclosed  
in U.S. Patent Number 6,093,193.

30 One problem encountered with existing inserters is difficulty in loading the IOL into  
the inserter. The IOL is typically manually moved from a sterile environment to an inserter  
or associated cartridge using forceps or tweezers. Manual transfer of the IOL presents



difficulties in maintaining both sterility of the IOL and the correct orientation of the IOL within the cartridge or inserter. Improper orientation of the IOL can result in inadequate surgeon control and even damage to the IOL during delivery into the eye.

5 These problems may be mitigated by preloading the IOL at the manufacturer into a cartridge or container that is designed to attach directly to the inserter during transfer of the IOL. The cartridge or container may be attached to the inserter either at the manufacturer or by the user just prior to surgery. In either case, the IOL is generally not stored directly in the inserter, since it is desirable to maintain the IOL in an unstressed state during storage in order to prevent deformation of the optic element. Thus, some type of transfer process is  
10 still generally necessary for loading the IOL into the inserter.

Prior to transferring the IOL into the inserter, the IOL stored in an unstressed state inside some type of storage case. During loading, the storage case is typically attached above or to one side of a load chamber that is in line with a pushrod used during insertion of the IOL into an eye. As the IOL is loaded into the load chamber, various means and  
15 mechanisms known in the art may be used to manipulate the IOL from an unstressed storage state to a state more suitable for delivery of the IOL into the eye of a subject or patient. In transferring the IOL from the holding chamber, the IOL is thus moved along an axis that is normal to the longitudinal axis of travel of the inserter pushrod. Such designs require relatively complex mechanisms to move IOL along two substantially orthogonal axes (i.e.,  
20 the transfer axis and the longitudinal axis of the inserter pushrod). Another potential problem with such loading configurations is that the mechanisms for transferring the IOL may fail to provide adequate visibility of the IOL within the inserter. Inadequate visibility of the IOL makes it more difficult to provide adequate lubrication and ensure proper orientation and of the IOL.

25 It would be advantageous to provide devices, systems, and methods to better facilitate the transfer of IOLs into an inserter and/or placement of IOLs into the eye of a subject during an ocular surgery.

#### Summary of the Invention

The present invention relates to devices, systems, and methods for delivering an  
30 intraocular lens into the eye of a subject or patient that addresses at least some of the problems discussed above. Using embodiments of the invention, an intraocular lens may be transferred from a storage case to an inserter handpiece and/or inserter cartridge in preparation for placement into the eye of the subject. In certain embodiments, portions of



the intraocular lens, such as the optic or haptics, may be manipulated during transfer into the inserter handpiece from a configuration that is more suitable for storage of the intraocular lens to a configuration that is more suitable for insertion into the eye.

One aspect of the present invention involves a lens case for storing an intraocular lens. The lens case comprises a housing for storing an intraocular lens and a support member configured to support the intraocular lens. The support member comprises a plurality of jaws, the jaws having a closed configuration for holding the intraocular lens and an open configuration for releasing the intraocular lens. The lens case further comprises a passage formed when the jaws are in the open configuration, the passage including an opening in the lens case for transfer of the intraocular lens into an intraocular lens inserter or inserter cartridge for placing the intraocular lens into an eye of a subject. The lens case may further comprise an intraocular lens that is disposed between the jaws, the intraocular lens comprising an optic and a haptic coupled to the optic. The lens case may be configured to maintain the haptic in either a first position in which a distal portion of the haptic is disposed farther from the optic or a second position in which the distal portion of the haptic is disposed closer to optic. Preferably, the lens case is configured to provide the second position during transfer of the intraocular lens into an inserter and/or inserter cartridge.

In another aspect of the invention, the above lens case is part of an insertion system for delivering an intraocular lens into the eye of a subject. The insertion system further comprises an inserter configured for receiving the intraocular lens from the lens case and for placing the intraocular lens into the eye of the subject. The inserter comprises a load chamber configured to receive the intraocular lens from the lens case and an insertion tube coupled to the load chamber for delivering the intraocular lens into an eye. The inserter may further comprise a nosepiece or cartridge disposed at a distal end of the inserter, the nosepiece comprising a rotational axis substantially perpendicular to the longitudinal axis and a load chamber with a transfer interface for receiving an intraocular lens. The nosepiece may be adapted to rotate approximately 180 degrees about the rotational axis between a first orientation for loading the intraocular lens and a second orientation for delivering the intraocular lens into the eye of a subject.

In yet another aspect of the invention, a lens case for storing an intraocular lens comprises an intraocular lens including an optic and a haptic coupled thereto, a housing for storing the intraocular lens, a support member configured to support the intraocular lens, and a transfer mechanism. The lens case may further comprise a shuttle that is configured to



move with the intraocular lens so as to carry and/or support the intraocular lens during transfer from the lens case to an inserter or cartridge that is used to place the intraocular lens into the eye of a subject. In some embodiments, the shuttle is replaced by or supplemented by a haptic manipulator or haptic folder that is configured to move the haptic to a predetermined position relative to the optic, for example, during transfer of the lens from the lens case to the inserter.

In still another aspect of the present invention, a method of preparing an intraocular lens for delivery into the eye of a subject comprises providing an inserter for delivering an intraocular lens into the eye of a subject, the inserter comprising a load chamber for receiving the intraocular lens. The method also comprises providing a lens case according to an embodiment of the invention that includes a plurality of jaws for holding an intraocular lens. The method additionally comprises engaging the lens case with the inserter and moving the jaws from a closed configuration to an open configuration. The method further comprises disengaging the lens case from the inserter and transferring the intraocular lens to the inserter.

#### Brief Description of the Drawings

Embodiments of the present invention will be better understood from the following detailed description when read in conjunction with the accompanying drawings. Such embodiments, which are for illustrative purposes only, depict the novel and non-obvious aspects of the invention. The drawings include the following figures, with like numerals generally indicating like parts:

FIG. 1 is a side view of an insertion system according to an embodiment of the invention showing a lens case and an inserter with a nosepiece disposed in a load position.

FIG. 2 is a top view of a nosepiece of the inserter illustrated in FIG. 1.

FIG. 3 is an end view of the inserter illustrated in FIG. 1.

FIG. 4 is a side view of the inserter illustrated in FIG. 1 showing the nosepiece disposed in an intermediate position.

FIG. 5 is a side view of the inserter illustrated in FIG. 1 showing the nosepiece disposed in a delivery position.

FIG. 6 is a perspective view of an inserter according to an embodiment of the invention showing an intraocular lens disposed for insertion into the eye of a subject.

FIG. 7 is a top view of a container according to an embodiment of the invention for holding an insertion system that includes an inserter and a lens case.



FIG. 8 illustrates a surgical system according to the present invention for performing an ocular surgery.

FIG. 9 is a block diagram illustrating a method according to an embodiment of the present invention for delivering an intraocular lens into eye of a subject.

5 FIG. 10 is a top view of the insertion system shown in FIG. 1 illustrating engagement of the lens case with the nosepiece.

FIG. 11 is a top view of the insertion system shown in FIG. 1 illustrating disengagement of the lens case from the nosepiece.

10 FIG. 12 is a block diagram illustrating a method according to an embodiment of the present invention for packaging and providing an insertion system to a user for delivery of an intraocular lens into the eye of a subject.

FIG. 13a is a top view of a lens case according to embodiments of the invention for holding an intraocular lens.

15 FIG. 13b is a side view of the lens case in FIG. 13a showing a pair of jaws in a closed configuration.

FIG. 13c is a side view of the lens case in FIG. 13a showing a pair of jaws in an open configuration.

FIG. 13d is a perspective view of the components of lens case in FIG. 13a.

20 FIG. 14a is a another embodiment of a lens case according to the invention showing a pair of jaws in a closed configuration.

FIG. 14b is a side view of another embodiment of a lens case according to the invention showing a pair of jaws in an open configuration.

FIG. 15 is a perspective view of the components of the lens case in FIG. 14a.

25 FIG. 16a, b is a top of another embodiment of a lens case according to the invention showing means for moving at least one haptic.

FIG. 16c is a side view of the lens case shown in FIGS. 16a, b.

FIG. 17a is a top view of another embodiment of a lens case according to the invention showing a cap for moving at least one haptic.

FIG. 17b is a side of the lens case shown in FIGS. 17a.

30 FIG. 18a is a top view and a side top view of another embodiment of a lens case according to the invention showing means for rotating an intraocular lens.

FIG. 18b is a top view and a side top view of the lens case shown in FIG. 18a showing the haptics of an intraocular lens wrapped about the rotating means.



FIG. 19 is a side view of another embodiment of a lens case according to the invention showing a chord configured to move the haptics of an intraocular lens.

FIG. 20 is a side view of another embodiment of a lens case according to the invention showing two chords configured to move the haptics of an intraocular lens.

5 FIG. 21 is a side view of another embodiment of a lens case according to the invention showing a finger configured to move the haptics of an intraocular lens.

FIG. 22 is a top view of another embodiment of a lens case according to the invention comprising a haptic folder or manipulator configured to move the haptics of an intraocular lens relative to the optic thereof.

10 FIG. 23a is a top view of an intraocular lens for use in the lens case illustrated in FIG. 22.

FIG. 23b-d are various views and embodiments of a haptic folder illustrated in FIG. 22.

15 FIG. 24a-c are top views of the haptic folder or manipulator shown in FIG. 23a showing interaction with an intraocular lens.

FIG. 25a-c are top views of the haptic folder or manipulator shown in FIG. 23a showing interaction with an intraocular lens inside an inserter.

FIG. 26 is an end view of another embodiment of an inserter according to the invention showing a rib for holding the haptics of an intraocular lens.

20 FIG. 27 is a view of another embodiment of an inserter according to the invention showing a sloped insertion tube.

FIG. 28 is a flow chart of a method according to the invention for preparing an intraocular lens for delivery into the eye of a subject.

FIG. 29a-d are side views showing use of the lens cartridge shown in FIG. 13a-d.

25 FIG. 30 is a flow chart of another method according to the invention for preparing an intraocular lens for delivery into the eye of a subject.

FIG. 31a-d are side views showing use of the lens cartridge shown in FIG. 15.

#### Detailed Description of the Drawings

30 Referring to FIGS. 1-6, in certain embodiments, an insertion system 10 for delivering an intraocular lens 11 into the eye of a subject comprises an inserter 14 for delivering the intraocular lens 11 and a lens case 18 for holding the intraocular lens 11 prior to delivery into the eye by the inserter 14. The intraocular lens 11 comprises an optic 12 that is configured, in conjunction with the cornea of the eye and/or an additional IOL, to focus light



onto the retina of eye. The intraocular lens 11 may further comprise one or more fixation members or haptics 13 configured to hold and/or center the optic 12 within the eye. The inserter 14 comprises handpiece 20 having a longitudinal axis CH, a proximal end 24, and a distal end 28. The inserter 14 further comprises a cartridge or nosepiece 30 disposed at the distal end 28 of the inserter 14. The nosepiece 30 has a rotational axis CR that is substantially perpendicular to the longitudinal axis CH and a load chamber 34 with a transfer interface 36 for receiving the intraocular lens 11. The lens case 18 has a transfer port 40 for delivering, moving, or transferring the intraocular lens 11 from the lens case 18 and into the load chamber 34.

The nosepiece 30 is adapted to move or rotate between a first position 41 suitable for loading or transferring the intraocular lens 11 (illustrated in FIG. 1) and a second position 42 suitable for delivering the intraocular lens 11 into the eye (illustrated in FIG. 5). For example, the nosepiece 30 may be adapted to rotate approximately 180 degrees about the rotational axis CR between the first position 41 and the second position 42 (compare FIGS. 1, 4, and 5). In certain embodiments, the nosepiece 30 may be adapted for placement in intermediate positions between the first and second positions 41, 42 and/or beyond the first position 41 or the second position 42. For example, an intermediate position between the first and second positions 41, 42 might be utilized for insertion of a viscoelastic or other substance either before and/or after loading of the intraocular lens 11 into the nosepiece 30.

Prior to use by a practitioner, the intraocular lens 11 is preferably disposed inside the lens case 18. The lens case 18 may be used to secure and protect the intraocular lens 11 during shipment from the manufacturer and for storage of the intraocular lens 11 over an extended period of time, for example, over a period of at least about six months, one year, or even over a period of at least 2 years to at least 4 years. The lens case 18 preferably maintains the intraocular lens 11 in a non-stress or low-stress condition in order to prevent permanent deformation of the optic 12 that could result in undesirable optical effects or aberrations after placement inside an eye. The interior of the lens case 18 may be filled or partially filled with a substances such as a liquid or gel; for example, a viscoelastic material or OVD. Such substances may be supplied prior to shipment by the manufacturer and/or by a practitioner prior to transfer between the lens case 18 and the inserter 14 (or associated lens cartridge). The viscoelastic material may be used, for example, to protect or preserve the intraocular lens 11 or to maintain the intraocular lens 11 in non-stress or low stress condition.



In certain embodiments, the interior of the lens case 18 is filled or partially filled with a balanced salt solution (BSS) or similar fluid. In other embodiments, the interior of the lens case 18 is filled or partially filled with a viscoelastic or OVD in combination with a BSS or similar fluid. The use of a BSS, alone or in combination with OVD's, may favorably reduce friction. For example, the use of a BSS may be used to increase lubricity between the intraocular lens 11 and the internal walls of the inserter 14 (e.g., the insertion tube wall of the inserter cartridge). In addition, a BSS, alone or in combination with OVD's, may be used to reduce tackiness of the haptics 13, especially in the case where the intraocular lens 11 is a one-piece intraocular lens in which the optic and haptics are integrally fabricated from a single material. In other embodiments, a combination of OVD's, with or without a BSS, may be used to reduce friction or tackiness.

The lens case 18 may be disposable and made of plastic material suited for storage and protection of the intraocular lens 11. Alternatively, at least portions of the lens case 18 be reusable, in which case the at least portions may be made of a metal material or some other material that may be used to increase the strength, durability, or function of the lens case 18.

The inserter 14 may be constructed for delivery of any of the various types of intraocular lenses known in the art. For example, the intraocular lens 11 may be a foldable lens made of at least one of the materials commonly used for resiliently deformable or foldable optics, such as silicone polymeric materials, acrylic polymeric materials, hydrogel-forming polymeric materials, such as polyhydroxyethylmethacrylate, polyphosphazenes, polyurethanes, and mixtures thereof and the like. In one embodiment, the inserter 14 is used with an intraocular lens 11 having an optical zone that is made of SENSAR® brand of acrylic. Other advanced formulations of silicone, acrylic, or mixtures thereof are also anticipated. Selection parameters for suitable lens materials are well known to those of skill in the art. See, for example, David J. Apple, et al., Intraocular Lenses: Evolution, Design, Complications, and Pathology, (1989) William & Wilkins. The lens material preferably has a refractive index allowing a relatively thin, and preferably flexible optic section, for example, having a center thickness in the range of about 150 microns to about 1000 microns, depending on the material and the optical power of the intraocular lens 11. At least portions of the intraocular lens 11, for example one or more haptics or fixation members, may be constructed of a more rigid material including such polymeric materials as polypropylene, polymethylmethacrylate PMMA, polycarbonates, polyamides, polyimides, polyacrylates, 2-



hydroxymethylmethacrylate, poly (vinylidene fluoride), polytetrafluoroethylene and the like; and metals such as stainless steel, platinum, titanium, tantalum, shape-memory alloys, e.g., nitinol, and the like.

5 Additionally, the inserter 14 may be configured to deliver intraocular lenses having either a single focus or producing two or more foci using refraction, diffraction, or some combination thereof. The inserter 14 may also be used to deliver an accommodating intraocular lens or system of lenses, either together or separately. The inserter 14 may be configured to deliver the intraocular lens 11 into the capsular bag of the eye or into some other portion of the eye, such as the anterior chamber of the eye. The inserter 14 may be used to deliver the intraocular lens 11 into either a phakic or aphakic eye. Additionally, the inserter 14 may be used to deliver the intraocular lens 11 into the eye of a subject already having an intraocular lens located either in the capsular bag or otherwise located within or on the eye.

15 The transfer port 40 of lens case 18 may be used during transfer of the intraocular lens 11 and configured to couple the transfer interface 36 of load chamber 34. The transfer port 40 may further comprise a cover (discussed below) for sealing the interior of the lens case 18. The cover may be manually removed just prior to transfer of the intraocular lens 11 into the load chamber 34. Alternatively, the cover may be constructed to automatically move out of the way to allow transfer of the intraocular lens 11 when the lens case 18 engages the nosepiece 30.

20 As illustrated in FIG. 2, the nosepiece 30 further comprises a delivery channel 43 for delivering the intraocular lens 11 into the eye, the delivery channel 43 having a delivery port 44 with a cross-sectional area that is preferably less than a cross-sectional area of the load chamber 34. Unless otherwise indicated, the term "cross-sectional area," as used herein, means the area of a referenced element in a plane that is perpendicular to the longitudinal axis CH of the handpiece 20. The delivery channel 43 comprises a tapered portion 46 extending from the load chamber 34 and is substantially disposed along the longitudinal axis CH when the nosepiece 30 is disposed in the first position 41 and when the nosepiece 30 is disposed in the second position 42. The tapered portion 46 may be used to compress and form the intraocular lens 11 into an elongated and/or compressed configuration suitable for delivery into the eye through the delivery port 44.

30 Referring to FIG. 3, the interface 36 of the nosepiece 30 may comprise an aperture 48 that is preferably substantially centered about the longitudinal axis CH and distally located



relative to the delivery channel 43 when the nosepiece 30 is in the first position 41. The interface 36 may alternatively or additionally comprise other elements or means, such as a cover, for providing protection of the intraocular lens 11 and/or for providing transfer of the intraocular lens 11 to the inserter 14.

5 Referring again to FIG. 1, the inserter 14 preferably comprises a pushrod 50 with a tip 52 that is preferably attached at the proximal end 24 of the handpiece 20. With the inserter 14 in the second position 42, the tip 52 of the pushrod 50 traverses substantially along the longitudinal axis CH and may be used to advance the intraocular lens 11 down the nosepiece 30 and into the eye. The handpiece 20 of the inserter 14 directs the tip 52 of the pushrod 50  
10 along the longitudinal axis CH towards the distal end 28 and into the load chamber 34, where the tip 52 engages the intraocular lens 11 during delivery of the intraocular lens 11.

In certain embodiments, the pushrod 50 may be configured to traverse through the nosepiece 30 when the nosepiece 30 is in the first position. In such embodiments, for example, the tip 52 may be used to control one or more of the haptics of the intraocular lens  
15 11 during transfer from the lens case 18. The pushrod 50 may also be used to help maintain the nosepiece 30 in the first position 41, as illustrated in FIG. 1.

The tip 52 of the pushrod 50 may engage the intraocular lens 11 using any of the devices or methods known in the art. For example, the tip 52 of the pushrod 50 may either push against an edge portion of the intraocular lens 11. Alternatively, the tip 52 of the  
20 pushrod 50 may engage an inner portion of the intraocular lens 50 in order to more evenly distribute the pushing force over a greater area of the lens surface. In other embodiments, the tip 52 of the pushrod 50 does not directly contact the intraocular lens 11, but instead engages an intermediate device or substance, such as a viscoelastic, that distributes pressure across the intraocular lens 11 that causes it to proceed through the nosepiece 30 and into the  
25 eye.

The inserter 14 is adapted to receive the intraocular lens 11 from the lens case 18 and to deliver the intraocular lens 11 into the eye, for example, after the natural lens has been removed. The inserter 14 and its various components may be made of any of the materials common in the art such as plastic or metal. Plastic materials are preferable if the inserter 14  
30 is made for one-time use or a limited number of uses before disposing of the inserter 14. Metal materials are preferable if the inserter is constructed for reuse, where the inserter 14 is sterilized prior to each use using either heat and/or sterilizing agents such as alcohol.



In the illustrated embodiment, a longitudinal axis CN of the nosepiece 30 is substantially centered within the handpiece 20. The term "substantially centered," as used here, means that a small amount of translational or rotational offset may be present in certain embodiments when the nosepiece 30 is in at least one of the first and second positions 41, 42. For instance, a small amount of translational or rotational offset may be used to provide a predetermined amount of transverse force between the tip 52 of the pushrod 50 and at least some portion of the nosepiece 30, as describe in further detail below herein. In some embodiments, the longitudinal axis CN is offset from the longitudinal axis CH of the handpiece 20, for example, to provide a desired position of the intraocular lens 11 relative to the tip of the pushrod 50.

The nosepiece 30 may be coupled to the handpiece 20 using devices and means known to those of skill in the art. In certain embodiments, the nosepiece 30 is lockably coupled to the handpiece 20 when the nosepiece 30 is in the first position 41, the second position 42, and/or one or more intermediate positions. The means or devices used to lock the nosepiece 30 in the first and/or second positions 41, 42 preferably provide a locking force of sufficient magnitude to substantially prevent the nosepiece 30 from moving during loading of the intraocular lens 11 into the nosepiece 30 and/or delivery of the intraocular lens 11 into the eye. Preferably, the magnitude of the locking force is low enough to allow relatively easy manipulation of the nosepiece 30 between the first and second positions 41, 42. Alternatively, the nosepiece 30 may be locked in the first and/or second positions using a lock mechanism or device (e.g., a pin or spring latch) that may be released or disengaged when manipulating the nosepiece 30 between the first and second positions 41, 42. In one embodiment, the nosepiece 30 is locked in the first position 41 by either pressing the tip 52 of the pushrod 50 against the delivery port 44 of the nosepiece 30 or by at least partially traversing the pushrod 50 through the delivery channel 43 of the nosepiece 30.

In certain embodiments, the longitudinal axis CN of the nosepiece 30 is substantially coaxial with the longitudinal axis CH of the handpiece 20 when the nosepiece 30 is in either the first position 41 or the second position 42. The term "substantially coaxial" as used herein means that the axes CH and CN are coaxial or that there is an offset angle between the axes CH and CN when the nosepiece 30 is in at least one of the first position 41 and the second position 42. In other embodiments, the axes CH and CN are offset from one another. In yet other embodiments, there is an offset angle between the axes CH and CN in either a clockwise or counter-clockwise direction when the nosepiece 30 is in the first and/or second



positions 41, 42 (e.g., FIG. 27). In such embodiments, the offset angle is preferably less than about 10 degrees, more preferably less than about 5 degrees, and even more preferably less than about 2 degree. In one embodiment, an offset angle exist between the axes CH and CN when the nosepiece 30 is in the second position 42 such that the pushrod 50 produces a transverse force on at least some portion of the nosepiece 30, such as the delivery channel 43, as the pushrod 50 advances along the longitudinal axis CH. This transverse force may be advantageously used to prevent the tip 52 of the pushrod from moving on top of a portion of the intraocular lens 11 during delivery into the eye. In other embodiments,

The nosepiece 30 may further comprise an outer surface 57 that substantially surrounds the load chamber 34 and the delivery channel 43. Preferably, the outer surface 57 is generally tapered from one end of the nosepiece 30 (e.g., near the transfer interface 36) having a relatively large cross-section, to an opposite end (e.g., near the delivery port 44) having a relatively small cross-section. The relatively small cross-section allows, among other things, the nosepiece 30 to be inserted into a relatively small incision in the eye, while the relatively large cross-section allows the intraocular lens 11 to be loaded into the load chamber 34 of the nosepiece 30 in a substantially uncompressed state. The outer surface 57 of the nosepiece 30 may further comprise a top face 58 and a bottom face 60 containing one or more openings 62. The openings 62 may be in the form of an aperture, notch, or some other type of void for providing at least partial access to the load chamber 34 and/or the delivery channel 43. For example, referring to FIGS. 1 and 2, the bottom face 60 is disposed below the load chamber 34 and comprises an aperture 64 that is rectangular in shape. The aperture 64 may, of course, take other shapes such as circle or a slit. As illustrated in FIG. 2, the top face 58 is disposed above the load chamber 34 and comprises an elongated notch 66. In other embodiments, for example as illustrate in FIG. 6, the elongated notches 66 are disposed on both the top and bottom faces 58, 60. In still other embodiments, there is only one opening 62 on either the top face 58 or the bottom face 60. Alternatively, one or more openings may be disposed at locations other than or in addition to the top and bottom faces 58, 60, for instance, on the sides of the outer surface between the top and bottom faces 58, 60.

The openings 62 may be used to visually inspect the insides of load chamber 34 prior to, during, or after transfer of the intraocular lens 11 into the nosepiece 30. The opening 62 may also be used to introduce one or more substances, for example a viscoelastic, into the load chamber 34 or some other portion of the nosepiece 30. Such substances may be



introduced into the load chamber 34 from the transfer interface 36 of the load chamber 34 and visually inspected via the opening 62. The opening 62 may also be used as an overflow port through which excess amounts of injected substances exit the load chamber 34. Other uses of the opening 62 are consistent with embodiments of the inserter 14 or the insertion system 10. For instance one or more openings 62 may be configured to receive inspection instruments or tools for manipulating or otherwise preparing the intraocular lens 11 for delivery through the delivery channel 43 and into the eye. The opening 62 may also be used to aid in alignment of inserter 14 components with lens case 18 components when the nosepiece 30 is in either the first or second positions 41, 42.

Referring to FIG. 7, in certain embodiments, the insertion system 10 further comprises a package or container 70 for holding the inserter 14 and the lens case 18. For example, the container 70 may be in the form of a shrink-wrap package 70 illustrated in FIG. 7 and comprising top and bottom sheets of material that envelop the inserter 14 and the lens case 18. The inserter 14 and the lens case 18 are preferably placed inside the container 70 in a sterile environment and sealed in a manner that maintains the sterility of the inserter 14 and the lens case 18 until they are ready for use. Alternatively, the inserter 14 and the lens case 18 may be sterilized after being enclosed inside the container 70. In other embodiments, the lens case 18 and the inserter 14 are packaged in separate containers, for example, to reduce inventory costs. In such embodiments, the individual containers may be placed together by the manufacturer, distributor, or user in a larger container or package, for example, for shipping or storage. In some embodiments, an inserter is packaged in one type of container for shipment with one or more lens cases 18 containing intraocular lenses having, for instance, differing Diopter powers, differing spherical aberration, or some other optical or mechanical characteristic.

The container 70 may be made of plastic, metal, or any other suitable material suitable for sealing the inserter 14 and the lens case 18 and providing a sterile environment during storage. Combinations of such material are also possible. For example, the bottom sheet of the shrink-wrap package 70 may be made of a metal foil, while the top sheet is made of a transparent plastic material that is bondable to the metal foil, thus allowing visible inspection of the inserter 14 and the lens case 18 while inside the container 70. The container 70 may take other configurations, besides that illustrated in FIG. 7, for example a cardboard box.



Referring to FIG. 8, in certain embodiments, a surgical system 80 for performing an ocular surgery comprises a phacoemulsification system 82 having a surgical handpiece 84 for removing the natural lens of an eye and an electronic controller 88 for controlling the fluidics of surgical handpiece 84 and/or the phacoemulsification power into the surgical handpiece 84. The system 80 further comprises at least one inserter, such as the inserter 14, and at least one lens case, such as the lens case 18, wherein the lens case 18 preferably has an intraocular lens enclosed therein. The system 80 may include a plurality of lens cases, such as the lens case 18, and/or inserters, such as the inserter 14. Alternatively, the system 80 may include a plurality of containers 70, each containing at least one inserter 14 and at least one lens case 18, preferably containing an intraocular lens therein. Such configurations allow a practitioner to perform multiple surgeries. In certain embodiments, the controller 88 controls the delivery of electrical power into a transducer, such as a piezo-electric driver, that is part of the surgical handpiece 84. In such embodiments, the piezo-electric driver changes size in accordance with changes in the electrical voltage and/or current provided by the controller 88. The controller 88 may also be used to control and/or monitor the irrigation fluid entering the eye and/or the aspiration used to remove fluid from the eye.

Referring to FIG. 9, in certain embodiments, a method 100 for delivering the intraocular lens 11 into the eye of a subject comprises an operational block 110, which comprises providing the insertion system 10, including the inserter 14 and the lens case 18. The method 100 further comprises an operational block 120, which comprises disposing the nosepiece 30 in the first position 41, with the delivery channel 43 being disposed along the longitudinal axis CH. The method 100 also comprises an operational block 130, which comprises engaging the lens case 18 to the nosepiece 30 such that the transfer port 40 of the lens case 18 operably connected to the transfer interface 36 of the load chamber 34. The method 100 further comprises an operational block 140, which comprises transferring the intraocular lens 11 from the lens case 18 into the load chamber 34. The method 100 additionally comprises an operational block 150, which comprises disengaging the lens case 18 from the nosepiece 30. The method 100 also comprises an operational block 160, which comprises moving the nosepiece 30 to the second position 42, which is suitable for delivering the intraocular lens 11 into the eye of a subject. The method 100 optionally comprise an operational block 170, which comprises optionally removing a natural lens from the eye of a subject. The method 100 also comprises an operational block 180, which comprises delivering the intraocular lens 11 into the eye of a subject.



In operational block 110, the insertion system 10 may be packaged in a container such as the container 70 illustrated in FIG. 7. Preferably, the intraocular lens 11 is preloaded in the lens case 18 by the manufacturer such that the intraocular lens 11 is in a sterile, unstressed environment.

5 In operational block 120, the nosepiece 30 is oriented in the first position 41, as illustrated in FIG. 1. By disposing the nosepiece 30 in this position, the load chamber 34 and the transfer interface 36 are distally located from the remaining portions of the inserter 14 and are thus readily accessible for transfer of the intraocular lens 11 from the lens case 18.

10 Referring to FIG. 10, in operational block 130, lens case 18 is engaged with the nosepiece 30. During engagement, the lens case 18 may at least partially surround the load chamber 34 of the nosepiece 30 such that the transfer interface 36 of the load chamber 34 is aligned and/or coupled to the transfer port 40 of the lens case 18. The engagement may be secured by means for at least partially locking the lens case 18 and the nosepiece 30 together,  
15 for example through the use of detents or spring loading. In certain embodiments, the load chamber 34 at least partially engages the nosepiece 30 prior to use by a practitioner and/or before shipment by the manufacturer or distributor. In such embodiments, the lens case 18 may be more fully engaged with the nosepiece 30 at operational block 130 of the method 100 or, alternatively, the operational block 130 becomes unnecessary altogether.

20 In operational block 140, the intraocular lens 11 is transferred from the lens case 18 and into the load chamber 34 of the nosepiece 30 in preparation for delivery of the intraocular lens 11 into the eye of a subject. This operation may be totally distinct from the engagement of the lens case 18 with the nosepiece 30 (operational block 130) or may occur simultaneously with the lens case 18 is engaged with the nosepiece 30. In certain  
25 embodiments, the tip 52 of the pushrod 50 may be used to manipulate one or more haptics 13a, 13b of the intraocular lens 11 either during transfer of the intraocular lens 11 from the lens case 18 to the load chamber 34 and/or subsequent to the delivery of the intraocular lens 11 into the load chamber 34.

30 Referring to FIG. 11, in operational block 150, the lens case 18 is disengaged or separated from the nosepiece 30. After disengagement, the lens case 18 may be disposed of or prepared for receiving a new lens in the same or a subsequent surgery. Structure and/or means may be provided for maintaining the intraocular lens 11 within the load chamber 34 of the nosepiece 30 upon disengagement of the load chamber 34 from the nosepiece 30. For



instance, the load chamber 34 may contain one or more catches, hooks, or similar structures for engaging one or more haptics 13a, 13b of the intraocular lens 11 as it moves into the load chamber 34. For example, FIGS. 10 and 11 illustrate a catch 71 that engages the haptic 13a of the intraocular lens 11. During the loading of the intraocular lens 11 into the load chamber 34, the leading edge of the haptic 13a advances past the catch 71 in a way that prevents or impedes the intraocular lens 11 from sliding back towards the aperture 48 of the load chamber 34. In certain embodiments, the catch 71 may be part of the distal tip 52 of the pushrod 50.

Referring again to FIGS. 4 and 5, in operational block 160, the nosepiece 30 is moved to the second position in preparation for delivery of the intraocular lens into the eye of a subject. As illustrated in FIG. 4, moving the nosepiece 30 to the second position 42 preferably comprises rotating the nosepiece 30 about the rotational axis CR to the second position 42, as illustrated in FIG. 5. As seen in FIG. 4, the nosepiece 30 is preferably rotated in a direction such that load chamber 34 and the intraocular lens 11 are disposed above the longitudinal axis CH of the handpiece 20 during rotation from the first position 41 to the second position 42. Alternatively, rotation in the opposite direction may also be used to rotate the nosepiece 30 from the first position 41 to the second position 42. In certain embodiments, the nosepiece 30 rotates between the first position 41 and the second position 42 about the rotational axis CR by approximately 180 degrees. In other embodiments, the nosepiece 30 rotates greater or less than 180 degrees, preferably in the range of about 170 degrees or less to about 190 degrees or more, more preferably about 175 degrees to about 185 degrees, and even more preferably between about 178 degrees and about 182 degrees.

In certain embodiments, the nosepiece 30 moves or rotates between the first position 41 and the second position 42 in an automated or semi-automated fashion. For example, the handpiece 20 may be configured such that nosepiece 30 rotates from the first position 41 to the second position 42 as the pushrod 50 traverses the longitudinal axis CH of the handpiece 20. This may be accomplished, for instance, by using a spring, cam, and/or linkage mechanism that is engaged by the pushrod 50 as it nears the nosepiece 30.

Referring again to FIG. 5, in certain embodiments, moving or rotating the nosepiece 30 from the first position 41 to the second position 42 transversely displaces at least a portion of the haptic 13b from the pushrod 50. For instance, by rotating the nosepiece 30 in the direction indicated in FIG. 4, the haptic 13b may be disposed above the pushrod 50 as the nosepiece 30 arrives at the second position 42 and is pushed in an upward direction by the



pushrod 50. By disposing the haptic 13b above the pushrod 50, the intraocular lens 11 is advantageously positioned so that the haptic 13b is not deformed or damaged by the pushrod 50 as the pushrod 50 advances the intraocular lens 11 down the delivery channel 43 for delivery into the eye. This geometry between the pushrod 50 and the haptic 13b is accomplished simply by moving the nosepiece 30 from the first position 41 to the second position 42, with little or no additional manipulation of the haptic 13b by a practitioner, such as a surgeon or assisting nurse. Alternatively, the tip 52 of the pushrod 50 may be moved proximally along the longitudinal axis CH or otherwise adjusted to obtain a predetermined geometric relationship between the intraocular lens 11 and the tip 52 of the pushrod 50. For example, the tip 52 of the pushrod 50 may initially be disposed along a portion of the optic body of the intraocular lens 11 when the nosepiece 30 is rotated from the first position 41 to the second position 42. Subsequently, the tip 52 of the pushrod 50 may then be retracted slightly such that the tip 52 engages or is disposed along the edge of the optic body of the intraocular lens 11.

In the illustrated embodiment, the rotational axis CR of the nosepiece 30 is generally perpendicular to the longitudinal axis CH of the handpiece 20 and intersects, or substantially intersects, the longitudinal axis CH of the handpiece 20. Alternatively, the rotational axis CR may be displaced above or below the longitudinal axis CH (not shown). For example, the rotational axis may be disposed below the longitudinal axis CH by an amount selected to locate the optic 12 of the intraocular lens 11 at a predetermined vertical height relative to the tip 52 of the pushrod 50 and/or the tip of the haptic 13b.

In certain embodiments, the nosepiece 30 may be configured to be movable between the first position 41 and the second position 42 in a manner that combines both rotation and translation of the nosepiece 30. For example, the nosepiece 30 may be rotated from the first position 41 by approximately 180 degrees and then pushed back distally along the longitudinal axis CH of the handpiece 20. The translation motion may be used, for instance, to secure the nosepiece 30 against the body of the handpiece 20 in preparation for delivery of the intraocular lens 11. Other combinations of rotation and/or translation may be used for moving the nosepiece 30 between the first position 41 and the second position 42.

In operational block 170, the natural lens may be removed, for instance using the phacoemulsification system 82. In such instances, the surgical handpiece 84 is used to remove the natural lens of the eye and is under the control of the electronic controller 88, which may be used to control the fluidics of the surgical handpiece 84 and/or the power into



the surgical handpiece 84. In certain embodiments, the controller 88 is used to adjust the fluidics of the surgical handpiece 84 and/or power into the surgical handpiece 84 in accordance to system conditions. The amount of power into the surgical handpiece 84 and/or the fluidics of the surgical handpiece 84 may be changed due to the presence of an occlusion in an aspiration line, for example, as disclosed in U.S. Patent Number 5,700,240, herein incorporated by reference. The removal of the natural lens may be performed before, during, or after the other operational blocks of the method 100. For instance, a nurse or assistant may perform operational blocks 110 through 160 while a surgeon is performing operational block 170. In certain embodiments, the natural lens is not removed or has been removed during a previous surgery and the method 100 would not include the operational block 170. For instance, the intraocular lens 11 may be phakic intraocular lens (e.g., an intraocular lens that is delivered into an eye still containing the natural lens) or a lens that is used to supplement another intraocular lens placed into the eye during a previous surgery.

In operational block 180, the intraocular lens 11 is delivered into the eye by advancing the lens down the delivery channel 43 using the pushrod 50 until the lens passes through the delivery port 44 and into the eye. The tip 52 of the pushrod 50 may have any of the various configurations used in the art or incorporate an innovative configuration designed to provide a predetermined advantage. In certain embodiments, the tip 52 of the pushrod 50 may be made of a relatively soft material and/or be disposed to engage a portion of the intraocular lens 11, for example a fold in the body of the intraocular lens. In other embodiments, the tip 52 of the pushrod 50 may be made of a relatively hard material and/or be disposed to engage an edge or peripheral portion of the intraocular lens 11. The specific characteristics of the pushrod 50 and the tip 52 may be selected depending on the type of intraocular lens being delivered, for example, depending on whether the intraocular lens 11 is made of silicone based material or a relatively stiffer material such as an acrylic based material. Other parameters of the intraocular lens 11 may also be used in determining the specific characteristics of the pushrod 50 and the tip 52.

During delivery of the intraocular lens 11 into the eye, the pushrod 50 is preferably substantially disposed along the longitudinal axis CH. In certain embodiments, the tip 52 and/or the pushrod 50 may be configured to provide a biasing force against at least a portion of the delivery channel 43 during delivery of the intraocular lens 11. Such a biasing force may be used to prevent the tip 52 of the pushrod 50 from moving onto the intraocular lens 11, for example, when the intraocular lens 11 is made of an acrylic material and/or the tip 52



is made of a relatively hard material. In certain embodiments, at least a portion of the pushrod 50, for example the tip 52 of the pushrod 50, may be offset asymmetrically from the longitudinal axis CH. In other embodiments, at least a portion of the pushrod 50 may have an offset angle relative to the longitudinal axis CH. In yet other embodiments, a portion of the inserter 14, for example the delivery channel 43, may have an offset angle relatively to at least one of the longitudinal axis CH and a longitudinal axis along which the tip 52 of the pushrod 50 travels.

The method 100 may additionally comprise introducing one or more substances, for example a viscoelastic, into at least a portion of the nosepiece 30 and/or the lens case 18. The substance may be introduced at any time or at various times during the method 100, for example through one or more of the openings 62 or through the transfer interface 36 of the load chamber 34.

Referring to FIG. 12, in certain embodiments, a method 200 for packaging and delivering the insertion system 10 to a user comprises an operational block 210, which comprises providing the inserter 14. The method 200 further comprises an operational block 220, which comprises providing the lens case 18. The method 200 also comprises an optional operational block 230, which comprises optionally enclosing the intraocular lens 11 inside the lens case 18. The method 200 additionally comprises an operational block 240, which comprises enclosing the inserter 14 and lens case 18 within the container 70. The method 200 further comprises an optional operational block 250, which comprises optionally storing the container 70. The method 200 further includes an operational block 260, which comprises shipping the container 70.

In operational block 230, the lens case 18 preferably contains an intraocular lens, for example the intraocular lens 11, prior to packaging inside the container 70. Preferably, the intraocular lens 11 is disposed inside the lens case 18 prior to shipment by the manufacturer or distributor, so as to advantageously maintain the intraocular lens 11 in a sterile environment until ready for use by a practitioner or their assistant. The intraocular lens 11 may be maintained in a low stress or essentially stress free state inside the lens case 18, allowing the intraocular lens 11 to be stored over long periods of time without unwanted permanent deformation that could reduce visual acuity or perception inside the eye.

In operational block 240, the inserter 14 and the lens case 18 are enclosed in the container 70, as illustrated in FIG. 7 and described in greater detail above herein. The inserter 14 and the lens case 18 are preferably packaged such that they are separate from one



another; however, other configurations are possible. For example, the inserter 14 and the lens case 18 may be placed adjacent to one another and sealed so as to provide a container 70 that is relatively small. Also, the lens case 18 and the nosepiece 30 may be coupled together prior to shipment to a practitioner and placed and/or sealed inside the container 70.

5 In operational block 250, the container 70 is stored till ready for shipment, distribution, or use. In operational block 260, the container 70 is shipped by the manufacturer or distributor either individually, as a part of a set of containers 70, or as part of the phacoemulsification system 80. In certain embodiments, several lens cases 18, each containing a different intraocular lens 11, may be packaged, stored, and/or shipped together  
10 to a customer or storage location. Each container 70 may contain an intraocular lens 18 having the same optical power as other containers 70. Alternatively, each container 70 may have a predetermined optical power that is different from other containers 70.

Referring to FIGS. 13a-d, in some embodiments a lens case 300, for storing an intraocular lens 301, comprises a housing 302 and a support member 304. The housing 302  
15 is configured for holding the intraocular lens 301 until it is ready to be transferred to the inserter 14 or another inserter configured to engage the lens case 300. The intraocular lens 301 comprises one or more haptics 308 connected to an optic 310. The support member 304 is configured to support the intraocular lens 301 and comprises a plurality of jaws 312, for example the top jaw 312a and the bottom jaw 312b illustrated in FIG. 13b. The jaws 312  
20 have a closed configuration for confining and/or holding the intraocular lens 11, for example as illustrated in FIG. 13b. The jaws 312 also have an open configuration for releasing the intraocular lens 301 that is suitable for transferring the intraocular lens 301 into the inserter 14, for example, as illustrated in FIG. 13c. The lens case 300 is configured for transferring the intraocular lens 301 into the inserter 14 upon or during the process of engagement and/or  
25 subsequent disengagement between the lens case 300 and the inserter 14.

The housing 302 generally encloses the intraocular lens 301 and preferably maintains the intraocular lens 301 in a sterile environment until it is ready to be transferred to the inserter 14. The housing may be made of a plastic, metal, or any other material suitable for a surgical environment. The lens case housing 302 and the lens case 300 have a proximal end  
30 314 and a distal end 315. An opening 316 through which the intraocular lens 301 is transferred is disposed on the distal end 315. The housing 302 may have additional openings or windows, for example, for insertion of a viscoelastic or other material, for attachment of other components such as a pusher mechanism, or to provide visibility of intraocular lens



301 and/or support member 304. In some embodiments, the housing 302 and/or the rest of the lens case 300 is disposable. In other embodiments, all or part of the lens case 300 and/or the housing 302 are reusable. In such embodiments, the lens case 300 is configured to allow placement of an intraocular lens into the housing 302 by a user (e.g., a nurse, surgeon, or  
5 supplier) and is preferably autoclavable.

The support member 304 and/or the jaws 312 are generally configured to be biased toward a closed configuration, as illustrated, for example, in FIG. 13b. In the closed configuration, the intraocular lens 301 is preferably secured or held so as to prevent damage, for example, during storage, shipping, and/or handling prior to use. The jaws 312 may be  
10 configured such that portions of opposing jaws (e.g., portions of top jaw 312a and bottom jaw 312b) are touching and/or pressed against one another when disposed in the closed configuration. In such embodiments, the optic 310 and/or the haptics 312 may be disposed within voids provided between mating faces of opposing jaws 312 when in the closed configuration.

The bias may be overcome, for example when the intraocular lens 301 is to be transferred into the inserter 14, so that the jaws 312 are in an open configuration, for example as illustrated in FIG. 13c. In certain embodiments, the lens case 300 further comprises means for holding or maintaining the jaws 312 in the open configuration once the bias has been overcome. For example, referring to FIG. 3c, the support member 304 may  
15 comprise a locking mechanism 317 that maintains the jaws in the open configuration upon engagement between the lens case and the inserter. The locking mechanism may comprise a projection 318a protruding from the top jaw 312a having a distal end that is configured to engage a portion 318b of the bottom jaw 312b when the jaws 312a, b are in the open configuration. Variation on this approach, as well as other devices, principles, and  
20 mechanisms, may additionally or alternatively be used to provide the holding means. For example the jaws 312 and/or other portions of the support member may be configured to form magnets that attract more strongly to one another as the jaws 312 move from the closed configuration to the open configuration.  
25

FIG. 13b illustrates one method of providing a predetermined bias for maintaining the  
30 jaws 312 in the closed configuration. In such embodiments, the top jaw 312a is pivotally attached to a first arm 319a and the bottom jaw 312b is pivotally attached to a second arm 319b, the bias being produced by a force, for example a spring force, between the arms 319a, b. The bias is produced by a spring 320 that tends to push the arms 319a, 319b away from



one another. Pivots 322a, 322b are disposed such that the force pushing the arms 319a, 319b apart also tends to push jaws 312a, b together to produce the desired biasing of the jaws 312 toward the closed configuration. The use of spring 320 is illustrative only and other devices, configurations, and methods of producing the bias toward the closed configuration of the jaws 312 are anticipated. For example, in another embodiment illustrated in FIGS. 14a, a top jaw 312a' has a first proximal end 324a and a bottom jaw 312b' has a second proximal end 324b, the first and second proximal ends 324a, b being fixed relative to one another by attachment to a fixed structure 328. The top jaw 312a' and the bottom jaw 312b' are made of a resilient material and are disposed relative to one another so as to produce a bias toward a closed configuration. The jaws 312' may be moved to an open configuration by overcoming the bias force, as illustrated in FIG. 14b.

Referring to FIG. 15, in certain embodiments, a lens case 300" comprises four jaws 312", for examples top jaw 312a", bottom jaw 312b", right jaw 312c" (as seen from a distal end 315"), and left jaw 312d". The additional jaws 312", as compared to the two jaws 312 for lens case 300, may be used to provide additional stability and/or protection of the intraocular lens 11. In certain embodiments, additional jaws 312" may be used to provide enhanced performance during delivery of the intraocular lens 301 to the inserter 14. The lens case 300" also comprises a triggering device 330". The triggering device 330" may be configured to be a push member that is used deliver or aid in the delivery of the intraocular lens 301 into the inserter 14 by pushing the intraocular lens 301 towards the distal end 315" of the lens case 300". In certain embodiments, the triggering device 330" may additionally or alternatively be configured to perform other functions, for example to move or hold one or more of the haptics 308 in a preferred position or configuration, as discussed in greater detail below. In some embodiments, the triggering device 330" may be a tab that is pulled, rotated, twisted, or otherwise moved to provide a predetermined action. In yet other embodiments, the triggering device 330" may be a cap that is used to perform a predetermined function while simultaneously providing an opening in the lens case 300". For example, the cap 330" may be disposed at the distal end 315" of the lens case 300" in order to simultaneously provide an opening for the delivery of the intraocular lens 301 and move one or more haptics 315 to a predetermined position or configuration.

In some instances, it is desirable to control the location of the haptics of an intraocular lens during loading of the intraocular lens into the inserter and/or as the intraocular lens is compress during injection into an eye. This may become especially



desirable in the case of so called one-piece IOLs in which the haptics are typically made of softer, less rigid materials that may become twisted or poorly positioned when the IOL is compressed during insertion. This can be particularly problematic with a trailing haptic, which is more likely to come into contact with the inserter tip and can, therefore, become damaged or torn by the inserter. In such situations, it may be desirable to place at least the trailing haptic above or below the optic of the IOL so that it does not come into contact with the inserter tip during insertion into the eye.

Referring to FIGS. 16a-16c, in certain embodiments, the lens case 300 is configured to place and maintain a distal portion 332 of at least one of the haptics 308 either or above or below the optic 310. In the illustrated embodiment, the intraocular lens 301 comprise a leading haptic 308a and a trailing haptic 308b. The lens case 300 is used to place and maintain the distal portion 332 of the haptic 308 in either a first position (e.g., a storage position) in which the distal portion 332 of the haptic 308 is disposed farther from the optic 310, as illustrated in FIG. 16a, or a second position (e.g., a delivery position) in which the distal portion 332 of the haptic 308 is disposed closer to optic, as illustrated in FIG. 16b. Preferably, the storage position leaves the intraocular lens 301 in an unstressed or low stress condition so that the lens 310 does not become deformed during long storage periods in the lens case 300, which can result in degradation of the optical performance of the intraocular lens 11. Prior to insertion, the haptic 308 and/or the optic 310 are temporary placed in a higher stress condition in order prevent the haptic 308 from becoming damaged during insertion into the eye. The lens case 300 is generally configured to move the distal portion 332 of the haptic 308 to the delivery position during or in preparation for transfer of the intraocular lens 301 into the inserter 14. Thus, lens case 300 is able to automatically move the haptic 308 from the storage position to the delivery position either as the lens case 300 engages the inserter 14 or just prior to engagement by using means such as those discussed herein.

In the currently illustrated embodiment, the support member 304 of the lens case 300 comprises a pair of gripper pins 334 and a pair of folding pins 338. The pins 334, 338 may be used help rotationally stabilize the intraocular lens 301 and may be configured to retract when the intraocular lens 301 is ready to be transferred to the inserter 14. The folding pins may act as pivot points around which the haptics 308 rotate as they are moved from the storage position to the delivery position shown in FIGS. 16a and 16b, respectively. The support member 304 further comprises one or more actuating pins or arms 340 that are



moved to place the distal portion 332 of the haptic 308 closer to or over the optic 310 of the intraocular lens 11.

In some embodiments, as illustrated in FIGS. 16b and 16c, the distal portions 332 of both the leading and trailing haptics 308a, b are disposed over the outer portions of the optic 310. Alternatively, only the distal portion 332 of the leading haptic 308a or of the trailing haptic 308b are disposed over the optic 310. In other embodiments, the distal portion 332 of only one of the haptics 308 is initially placed over or near the optic 310 in preparation for transfer of the intraocular lens 301 to the inserter 14, while the distal portion 332 of the remaining haptic 308 is disposed over or near the optic 310 during or after the transfer of the intraocular lens 11. The distal portion 332 or some other portion of at least one of the haptics 308 may be placed near, above, or below the optic 310. The portion of the haptic 308 may be disposed at the periphery of the optic 310 of the intraocular lens 301 or closer to the center of the optic 310. Other locations of portions of the haptic 308 are consistent with embodiments of the invention in which the haptic 308 is favorably positioned to protect the haptic during transfer to the inserter 14 and/or during insertion into the eye of a subject.

Actuation of the movement of one or more of the haptics 308 may be provided by engagement and/or disengagement between the lens case 300 and the inserter 14. Alternatively or additionally, the lens case 300 may comprise a triggering device or means that is used to actuate movement of a portion of one or more of the haptics 308 from the initial storage position to the final delivery position. For example, FIGS. 17a and 17b illustrate an embodiment in which a lens case 300a comprises a support member 304a and a cap or cover 342 that is disposed at a distal end 315a of the lens case 300a. The cap 342 is configured to cover an opening of a housing (not shown) and is connected by a tether 344 or some other means to an actuating arm 340a. When the intraocular lens 301 is ready to be transferred, the cap 342 is removed so as to expose the opening and move the actuating arm 340a so as to place one or more of the haptic 308 to a predetermined location or orientation. FIG. 17b illustrates the two positions of the actuating arm 340a (i.e., before and after removal of the cap 342). Alternatively, the triggering device may be something other than the cap 342, for example a tab or push member or other device that is engaged by a user to initiate movement of the haptics from a storage position to a delivery position.

Referring to FIGS. 18a and 18b, which each show top and side views of a lens case 300b, a cap 342b may be used to actuate positioning of the haptics 308 by coupling the cap 342' to rotation device 348 to which the actuating arms 340' are attached. In this



embodiment, the rotation device 348 is held in an initial position by the cap 342' in which the haptics 308 are in a predetermined low-stress configuration. When the cap 342' is removed, the rotation device 348 is allowed to rotate to a final biased position (e.g., delivery position) in which the actuating arms 340' rotate the entire intraocular lens 301 so as to wrap  
5 both the leading and trailing haptics 308 about the optic 310.

Referring to FIG. 19, in some embodiments, movement of one or more of the haptics 308 to a delivery position, in which the haptics 308 are more favorably disposed for insertion into the eye, may be accomplished as a lens case 300c engages the inserter 14. A lens case 300c comprises upper and lower jaws 350a, 350b and a thread, cord, or foil 352. The two  
10 ends of the thread, cord, or foil 352 are attached to the upper jaw 350a and are wrapped around one or more of the haptics 308 so that when the jaws 350 are separated, the foil 352 moves the one or more haptics into a delivery position in preparation for insertion into an eye. In some embodiments, as illustrated in FIG. 20, a lens case 300d comprises one or more threads, cords, or foils 352' that are attached at one end to an upper jaw 350a'. The  
15 other end of the threads, cords, or foils 352' are wrapped around or otherwise engaged with one or more of the haptics 308 of the intraocular lens 11. Similar to the previous embodiment, when the upper and lower jaws 350a', 350b' are separated, the threads, cords, or foils 352' move the one or more haptics into a delivery position suitable for insertion of the intraocular lens 301 into an eye.

Referring to FIG. 21, in some embodiments, a lens case 300e comprises a protruding finger 360 attached to a distal end 315e of a housing and/or support member 361 of the lens case 300e. A distal end 362 of the finger 360 is configured to engage one or more of the haptics 308 of the intraocular lens 11, so as to move the one or more haptics 308 into a delivery position suitable for insertion of the intraocular lens 301 into an eye. Actuation of  
20 the finger 360 may be initiated by engagement of the distal end 315e with the inserter 14 or some other object configured for that purpose.

Referring to FIGS. 22 and 23a-d, in certain embodiments, a lens case 400 for storing an intraocular lens 401 comprises a housing 402, a support member 404, a proximal end 403, a distal end 404, and an opening 405 disposed at the distal end 404 and configured to  
30 engage an inserter such as the inserter 14. The intraocular lens 401 comprises an optic 410a attached to leading haptic 408a and a trailing haptic 408b. The trailing haptic includes a distal end 409. The lens case 400 also comprises a haptic manipulator or haptic folder 411 that is configured to engage and manipulate at least one of the haptics 408a, 408b. The



haptic folder 411 may comprise one or more detents 412 or similar such structures that are configured to engage mating indentations in the lens case 400 or a component disposed therein. The detents 412 may be configured to generally provide resistance to motion of the haptic folder 411 within the lens case 400 and/or to fix or hold the haptic folder 411 at a predetermined location within the lens case 400 during the process of transferring of the intraocular lens 401 into an inserter and/or inserter cartridge. The haptic folder is generally configured to engage at least one of the haptic 408a, b and/or to hold, carry, and/or push the intraocular lens 401. In the illustrated embodiment, engagement of the distal portion 409 of the trailing haptic 408b is provided by a protrusion or finger 413.

Referring to FIGS. 23c and 23d, in some embodiments haptic folder 411 is a shuttle 411' that is configured to be transferred along with the intraocular lens 401 from the lens case 400 to an inserter or cartridge. For example, the shuttle 411' includes a through hole 422 that is disposed longitudinally along the shuttle 411 and sized so as to allow the push rod of an inserter to pass therethrough, thus allowing the pushrod tip access to the intraocular lens 401 when the intraocular lens 401 and the shuttle 411' are disposed within the inserter.

Referring to FIGS. 24a and 24b, in some embodiments the haptic folder 411 is configured to engage and move the haptic 408b to a predetermined position or configuration relative to the optic 410. In the illustrated embodiment, the predetermined position configuration comprises the distal portion 409 of the haptic 408b being positioned over the periphery of the optic 410; however, other locations and configurations of the haptic 408b are possible, as discussed above in relation to the haptics 308. The predetermined position may be any position or configuration of the haptic 408b suitable for preparing the intraocular lens 401 for insertion into an eye using an inserter such as the inserter 14. Any of the devices or means used with the various embodiments of the lens case 300 discussed herein (e.g., those illustrated in FIGS. 16-22) may be used, for example, to actuate the shuttle 411 to move the haptic 408.

With further reference to FIG. 24c, the lens case 400 or a fixed surface disposed therein may comprise one or more indentations 423 for receiving the detents 412 of the haptic folder 411 when the haptic folder 411 arrives at a predetermined location within the lens case 400. The lens holder is generally configured so that once the trailing haptic is in the predetermined configuration, the detent 412 and the indentations 423 engage one another to prevent or impede further motion of the haptic folder 411 within the lens case 400 (e.g., to



prevent the haptic folder from staying with the intraocular lens 401 after disengagement between the lens case 400 and the inserter or cartridge receiving the intraocular lens 401.

Referring to FIGS. 25a-c, in certain embodiments, the lens case 400 is part of an insertion system comprising the lens case 400, an inserter 430, and the shuttle 411'. The inserter 430 may comprise a receiving, loading, or holding chamber 432, a tapered transition section 434, an insertion tube 438, and a pushrod 440. In one embodiment, the inserter 430 is the handpiece 20 and the holding chamber 432 is the nosepiece 30. In some embodiments, the pushrod may have an enlarged distal tip 442 and/or be made of a softer material. The lens case 400 may be configured to transfer both the intraocular lens 401 and the shuttle 411' together into the inserter 430 (e.g., as in FIG. 25a). In this manner, the shuttle 411' functions both to move the haptic 408b to the predetermined position and to maintain the haptic 408b in that position as the intraocular lens 401 moves from the receiving chamber 432 into the transition section 434 and toward the insertion tube 438. Alternatively, the shuttle 411' may be replaced with a haptic folder that does not stay with the intraocular lens 401 after transfer (e.g., the haptic folder 411 illustrated in FIGS. 24a-c).

As illustrated in FIG. 25b, the distal tip 442 of the pushrod 440 may be sized slightly larger than the diameter of the through-hole 422 of the shuttle 411'. In this manner, the tip 442 of the pushrod 440 does not initially contact the intraocular lens 401 as it is moved toward the insertion tube 438. Other configurations and means may also be used to prevent the initial contact between tip 442 and the intraocular lens 401, such as biasing the tip 442 toward one side of the through hole 422.

Referring to FIG. 26, in certain embodiments, a rib or plug 444 may be used in place of or in conjunction with the shuttle 411' (e.g., when using the haptic folder 411) in order to hold the haptic 408b in the predetermined position after the intraocular lens 401 has been transferred to the inserter 430. The rib 444 may be part of the inserter 430, such as the loading chamber 432, and hingedly or otherwise mounted thereon. Once the intraocular lens 401 (and optionally the shuttle 411') is in place in the load chamber 432, the rib 444 is moved into position to hold the haptic 408b in position. Alternatively, the rib 444 may be biased toward its final position and be temporarily displaced slightly as the intraocular lens 401 and/or the shuttle 411' are moved into place inside the receiving chamber.

Referring to FIG. 27, in some embodiments, the insertion tube 438 of the inserter 430 may be configured to have a slight angle  $\theta$  relative to the direction of travel of the pushrod 440. This configuration may be used to help prevent the tip 442 from riding up into the



intraocular lens 401 or at least reduce the amount by which the tip 442 rides up into the intraocular lens 401. This may be beneficial, since this type of engagement of the tip 442 with the intraocular lens 401 may damage or even tear the intraocular lens 401. In some embodiments, for example when the tip 442 is made of a relatively soft material, some engagement of the tip 442 may be desirable. The angle  $\theta$  may be selected to control the amount of engagement of tip 442 with a surface of the intraocular lens 401 as it moves into and through the insertion tube 438.

Referring to FIGS. 28 and 29, a method 500 of preparing transferring an intraocular lens from a lens case to an inserter, in preparation for delivery of the lens into the eye of a subject, comprises an operational block 502, which comprises providing the inserter 14 for delivering the intraocular lens 401 into the eye of a subject. The method 500 also comprises an operational block 504, which comprises providing the lens case 300. The method 500 further comprises an operational block 506, which comprises engaging the lens case 300 with the inserter so as to allow transfer of the intraocular lens from the lens case 300 to the inserter. The method 500 additionally comprises an operational block 508, which comprises moving the jaws 312 to an open configuration upon engagement between the lens case and the inserter. The method 500 also comprises an operational block 510, which comprises transferring or pushing the intraocular lens 401 to the inserter 14 by pushing the lens case 300 toward the inserter 14. The method 500 also comprises an operational block 512 that comprises disengaging the lens case from the inserter.

The method 500 may be used, when applicable, in whole or in part with any lens case in accordance with embodiments of the invention, for example the lens cases 300', 300'', 300a-e, and 400. The method may also be used with other inserters, such as the inserter 430. Use of the method 500 with the lens case 300 and the inserter 14 is at least partially illustrated in FIGS. 29a-d. In FIG. 29a, the lens case 300 is aligned with the transfer interface 36 of the load chamber 34. In FIG. 29b, the lens case 300 is advanced towards the inserter 14 until the transfer interface 36 begins to engage an opening in the distal end of the lens case 300. In certain embodiments, a cover (not shown) is disposed over an opening in the distal end of the lens case 300 for protection and the cover is removed at the beginning of, or just prior to, the transfer process. Alternatively, the cover may be configured to be removed, punctured, or otherwise opened through engagement of the lens case 300 and the inserter 14. As the lens case 300 and the inserter 14 engage, mating portions on each device (not clearly shown) encourage the upper and lower jaws 312 to begin to open in order to



release the intraocular lens 401 for delivery into the inserter 14. In certain embodiments, the leading and/or trailing haptics 308a, b are also moved into a delivery position. In other embodiments, the positioning of the haptics 308 is carried out before the engagement between the lens case 300 and the inserter 14, for example as discussed above herein.

5 Referring to FIG. 29c, the lens case 300 is fully engaged and the jaws 312 are fully separated so that the intraocular lens may be deposited inside the load chamber 34. In some embodiments, the locking mechanism 317 is provided to maintain the jaws 312 in the open configuration. Referring to FIG 29d, the lens case 300 is disengaged, leaving the intraocular lens 401 inside the loading chamber 34. Thus, the lens case 300 is configured to deliver the

10 intraocular lens 401 to inserter 14 upon disengagement between the lens case 300 and the inserter 14.

Referring to FIGS. 30 and 31, a method 550 is illustrated for transferring an intraocular lens from a lens case to an inserter in preparation for delivering the intraocular lens into the eye of a subject. The method 550 is similar to the method 500, except that

15 transfer of the intraocular lens is accomplished by actively operating a triggering device rather than relying on the action of pushing the lens case towards the inserter. Accordingly, the method 500 comprises an operational block 552, which comprises providing the inserter 14 for delivering the intraocular lens 401 into the eye of a subject. The method 550 also comprises an operational block 554, which comprises providing the lens case 300".

20 The method 550 further comprises an operational block 556, which comprises engaging the lens case 300" with the inserter so as to allow transfer of the intraocular lens from the lens case 300" to the inserter. The method 550 additionally comprises an operational block 558, which comprises moving the jaws 312 to an open configuration upon engagement between the lens case and the inserter. The method 550 also comprises an operational block 560,

25 which comprises transferring or pushing the intraocular lens 401 to the inserter 14 by operating the triggering device 330". The method 550 also comprises an operational block 562 that comprises disengaging the lens case from the inserter.

The method 550 may be used, when applicable, in whole or in part with any lens case in accordance with embodiments of the invention, for example the lens cases 300, 300',

30 300a-e, and 400. The method 550 may also be used with other inserters, such as the inserters 430. FIGS. 31 a-d at least partially illustrate use of the one method 550. For each figure, a top view of the lens case 300" and a distal portion of the inserter 14 is shown on top, while a side view of each of these elements is shown directly below. In FIG. 31a, the



lens case 300", which contains the intraocular lens 11, is aligned with the transfer interface 36 of the load chamber 34. In FIG. 31b, the lens case 300" is advanced towards the inserter 14 until the transfer interface 36 begins to engage an opening in the distal end of the lens case 300". In certain embodiments, a cover (not shown) is disposed over an opening over the distal end of the lens case 300" for protection, where the cover may be removed at the beginning of, or just prior to, the transfer process of the intraocular lens 11. Alternatively, the cover may be configured to be removed, punctured, or opened through engagement of the lens case 300" and the inserter 14. As the lens case 300" and the inserter 14 engage, mating portions on each device (not clearly shown) cause the jaws 312a", 312b", 312c", and 312d" to open in order to release the intraocular lens 11 for delivery into the inserter 14. In certain embodiments, the leading and/or trailing haptics 308a, b are also moved into a delivery position during the process. Referring to FIG. 31c, the lens case 300" is fully engaged with the inserter 14 and the jaws 312 are fully separated. At this point, the triggering devices 330" may be fully pushed or otherwise manipulated or engaged to advance the intraocular lens 11 into the load chamber 34 of the inserter 14. In some embodiments, a locking mechanism is provided to maintain the jaws 312 in the open configuration. Referring to FIG 31d, the lens case 300" is disengaged, leaving the intraocular lens 11 inside the loading chamber 34. Thus, the lens case 300" is configured to deliver the intraocular lens 11 to inserter 14 upon disengagement between the lens case 300" and the inserter 14.

The above presents a description of the best mode contemplated of carrying out the present invention, and of the manner and process of making and using it, in such full, clear, concise, and exact terms as to enable any person skilled in the art to which it pertains to make and use this invention. This invention is, however, susceptible to modifications and alternate constructions from that described above which are fully equivalent. Consequently, it is not the intention to limit this invention to the particular embodiments disclosed. The scope of the claims should not be limited that the preferred embodiments or the examples but should be given the broadest interpretation consistent with the description as a whole.



What is claimed is:

1. A lens case for storing an intraocular lens, comprising:

5 a housing for storing an intraocular lens;

a support member configured to support the intraocular lens, the support member comprising a plurality of jaws, the jaws configured such that a closed configuration holds the intraocular lens in a substantially unfolded state and an open configuration releases the intraocular lens, wherein the plurality of jaws comprise a first jaw and a second jaw, wherein a portion of the first jaw is configured to couple with a portion of an anterior surface of the intraocular lens and a portion of the second jaw is configured to couple with a portion of a posterior surface of the intraocular lens; and

10 a passage formed when the jaws are in the open configuration, the passage comprising an opening in the lens case for transfer of the intraocular lens into an intraocular lens inserter,

wherein the support member is entirely located within the housing.

15 2. The lens case of claim 1, wherein the first jaw and the second jaw are configured to move from the closed configuration to the open configuration upon engagement between the lens case and the inserter.

3. The lens case of claim 2, further comprising a locking mechanism to maintain the jaws in the open configuration upon engagement between the lens case and the inserter

20 4. The lens case of claim 3, wherein the locking mechanism comprises a projection protruding from the first jaw having a distal end, the distal end of the projection configured to engage a portion of the second jaw when the first and second jaws are in the open configuration.

25 5. The lens case of claim 1, wherein the first and second jaws have a bias toward the closed configuration.

6. The lens case of claim 5, wherein the first jaw is pivotally attached to a first arm and the second jaw is pivotally attached to a second arm, the bias being produced by a spring force between the first arm and the second arm.

30 7. The lens case of claim 5, wherein the first jaw has a first proximal end and the second jaw has a second proximal end, the first and second proximal ends being fixed relative to one another, the first jaw and the second jaw being made of a resilient material and disposed relative to one another so as to produce the bias.



8. The lens case of claim 1, wherein the plurality of jaws comprise a top jaw, a bottom jaw, a right jaw, and a left jaw, at least one of the top and bottom jaws or the left and right jaws configured to move from the closed configuration to the open configuration upon engagement between the lens case and the inserter.

5 9. The lens case of claim 1, further comprising an intraocular lens disposed between the jaws, the intraocular lens comprising an optic configured to focus light onto the retina of the eye when placed inside the eye and a haptic coupled to the optic for holding the optic within the eye.

10 10. The lens case of claim 9, wherein the lens case is configured to transfer the intraocular lens to inserter upon engagement of the lens case and the inserter.

11. The lens case of claim 9, further comprising a triggering device configured to transfer the intraocular lens into the inserter upon engagement between the lens case and the inserter.

15 12. The lens case of claim 11, wherein the triggering device is a push member configured to be pushed during transfer of the intraocular lens into the inserter.

13. The lens case of claim 11, wherein the triggering device is a tab configured to be moved during transfer of the intraocular lens into the inserter.

14. The lens case of claim 11, wherein the triggering device is a cap configured to be moved during transfer of the intraocular lens into the inserter.

20 15. The lens case of claim 9, wherein the lens case is configured to maintain the haptic in either a first position in which a distal portion of the haptic is disposed farther from the optic or a second position in which the distal portion of the haptic is disposed closer to optic, the lens case configured to provide the second position during transfer of the intraocular lens into an inserter.

25 16. The lens case of claim 15, wherein first position is a storage position and the second position is a transfer position.

17. The lens case of claim 15, wherein the lens case is configured to maintain the haptic in the second position during transfer of the intraocular lens into the inserter.

30 18. The lens case of claim 15, wherein the lens case is configured to automatically move the haptic from the first position to the second position as the lens case engages the inserter.



19. The lens case of claim 15, wherein the distal portion of the haptic is disposed either above or below at least a portion of the optic when the haptic is in the second position.

20. The lens case of claim 15, wherein the first position is configured to maintain the haptic in a lower stress condition for storage of the intraocular lens and the second position is configured to place the haptic in a higher stressed condition for transferring the intraocular lens into the inserter.

21. The lens case of claim 15, further comprising a triggering device configured to actuate movement of the haptic from the first position to the second position.

22. The lens case of claim 21, wherein the triggering device is a push member configured to be pushed in order to actuate movement of the haptic from the first position to the second position.

23. The lens case of claim 21, wherein the triggering device is a tab configured to be moved in order to actuate movement of the haptic from the first position to the second position.

24. The lens case of claim 21, wherein the triggering device is a cap configured to cover an opening of the lens case when the haptic is in the first position.

25. The lens case of claim 15, wherein the plurality of jaws comprises a top jaw and a bottom jaw.

26. The lens case of claim 25, wherein the top jaw comprises folding means configured to move the haptic from the first position to the second position.

27. The lens case of claim 26, wherein the folding means comprises one or more pull line attached to the first jaw and configured to be operably coupled to the first and second haptics so as to change the intraocular lens from the first configuration to the second configuration as the jaws are separated.

28. The lens case of claim 26, wherein the folding means comprises a rotation device rotationally coupled to the intraocular lens, the rotation device configured to rotate and to move the haptic from the first position to the second position.

29. The lens case of claim 26, wherein the folding means comprises an insert having first and second ends, at least one of the ends attached to the top jaw and configured to operably engage the haptic so as to move the haptic from the first position to the second position.



30. An insertion system for delivering an intraocular lens into the eye of a subject, comprising:

a lens case comprising:

a housing for storing an intraocular lens;

5 a support member configured to support the intraocular lens, the support member comprising a plurality of jaws, the jaws configured such that a closed configuration holds the intraocular lens in a substantially unfolded state and an open configuration releases the intraocular lens, wherein the plurality of jaws comprise a first jaw and a second jaw, wherein a portion of the first jaw is configured to couple with a portion  
10 of an anterior surface of the intraocular lens and a portion of the second jaw is configured a posterior surface of the intraocular lens; and

a passage formed when the jaws are in the open configuration, the passage comprising an opening in the lens case for transfer for the intraocular lens into an intraocular lens inserter;

15 wherein the support member is entirely located within the housing,

an inserter comprising:

a load chamber configured to receive the intraocular lens from the lens case;

and

20 an insertion tube coupled to the load chamber for delivering the intraocular lens into an eye.

31. The insertion system of claim 30, further comprising an intraocular lens disposed between the jaws, the intraocular lens comprising an optic configured to focus light onto the retina of the eye when placed inside the eye and a haptic coupled to the optic for holding the  
25 optic within the eye.

32. The insertion system of claim 31, further comprising a shuttle configured to move the haptic into a predetermined position relative to the optic prior to or during transfer of the intraocular lens from the load chamber.

30



33. The insertion system of claim 32, wherein the shuttle is further configured to move together with the intraocular lens as the intraocular lens is transferred into the insertion tube.

34. The insertion system of claim 32, wherein the shuttle is configured to maintain the haptic in the predetermined position as the intraocular lens moves into the insertion tube.

5 35. The insertion system of claim 30, wherein the inserter further comprises:

a nosepiece disposed at a distal end of the inserter, the nose piece comprising a rotational axis substantially perpendicular to the longitudinal axis and a load chamber with a transfer interface for receiving an intraocular lens;

10 the nosepiece adapted to rotate approximately 180 degrees about the rotational axis between a first orientation for loading the intraocular lens and a second orientation for delivering the intraocular lens into the eye of a subject.

36. The insertion system of claim 30, the inserter further comprising an insertion tube having surface that is disposed at an offset angle relative to an axis of travel of an insertion rod axis, the offset angle being between about 1 degree and about 10 degrees.

15 37. A method of preparing an intraocular lens for delivery into the eye of a subject, comprising:

providing an inserter for delivering an intraocular lens into the eye of a subject, the inserter comprising a load chamber for receiving the intraocular lens;

providing a lens case, comprising:

20

a housing for storing the intraocular lens; and

a support member configured to support the intraocular lens, the support member comprising a plurality of jaws, the jaws configured such that a open configuration holds the intraocular lens in a substantially unfolded state and an open configuration releases the intraocular lens, wherein the plurality of jaws comprise a first jaw and a second jaw, wherein a portion of the first jaw is configured to couple with a portion of an anterior surface of the intraocular lens and a portion of the second jaw is configured a posterior surface of the intraocular lens; and

engaging the lens case with the inserter;

moving the jaws to the open configuration;

disengaging the lens case from the inserter; and

transferring the intraocular lens to the inserter.







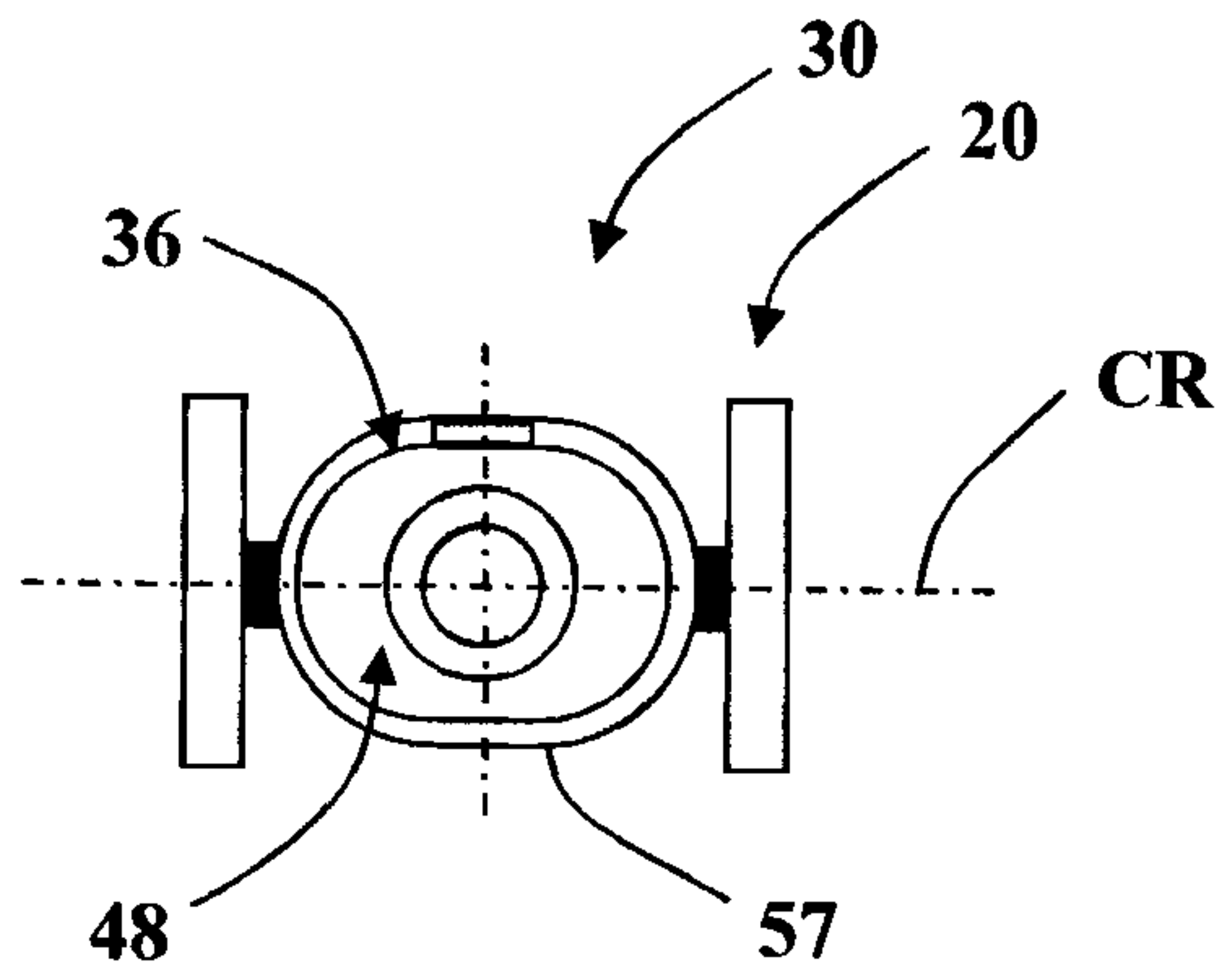


FIG. 3

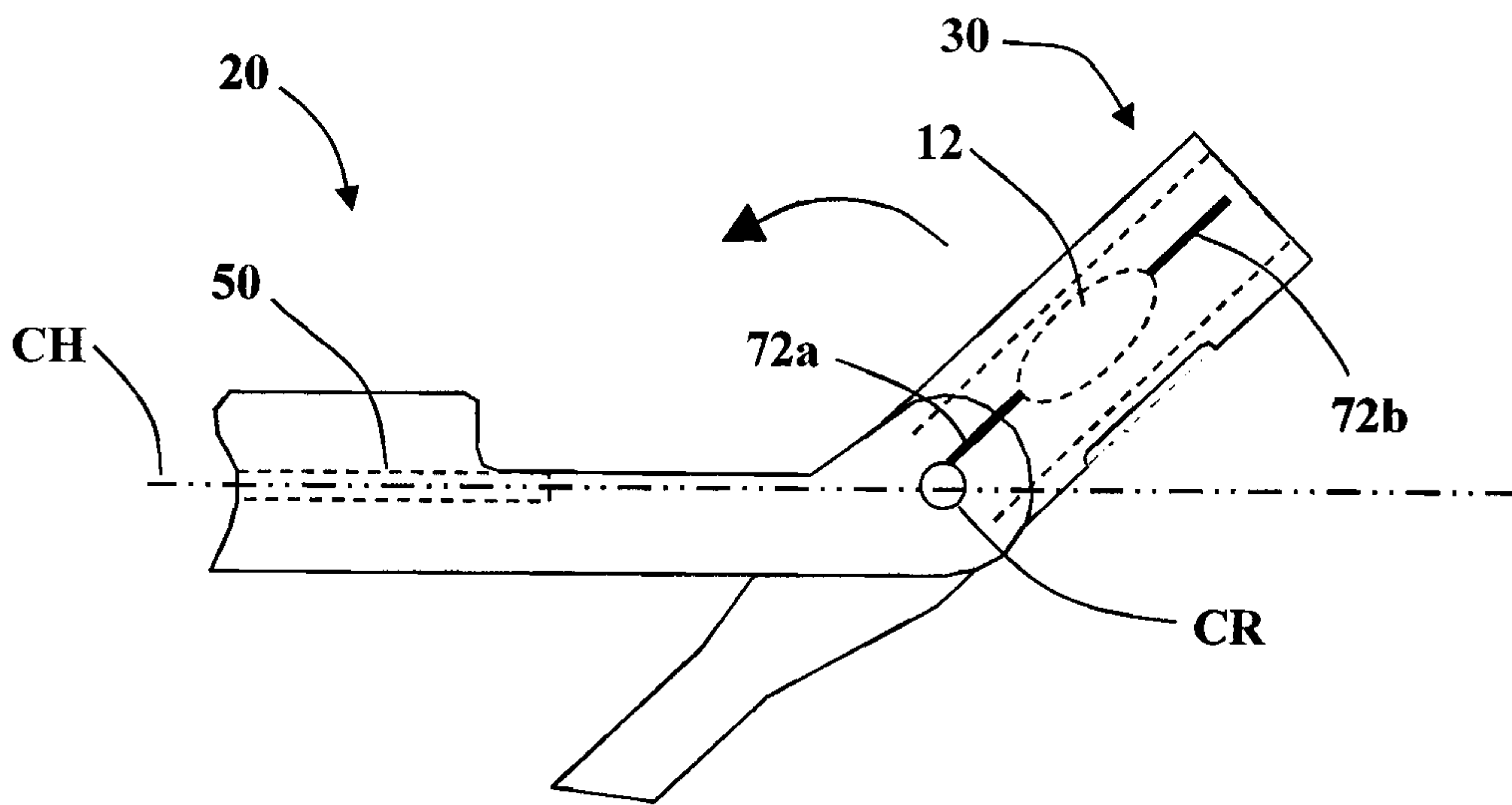


FIG. 4

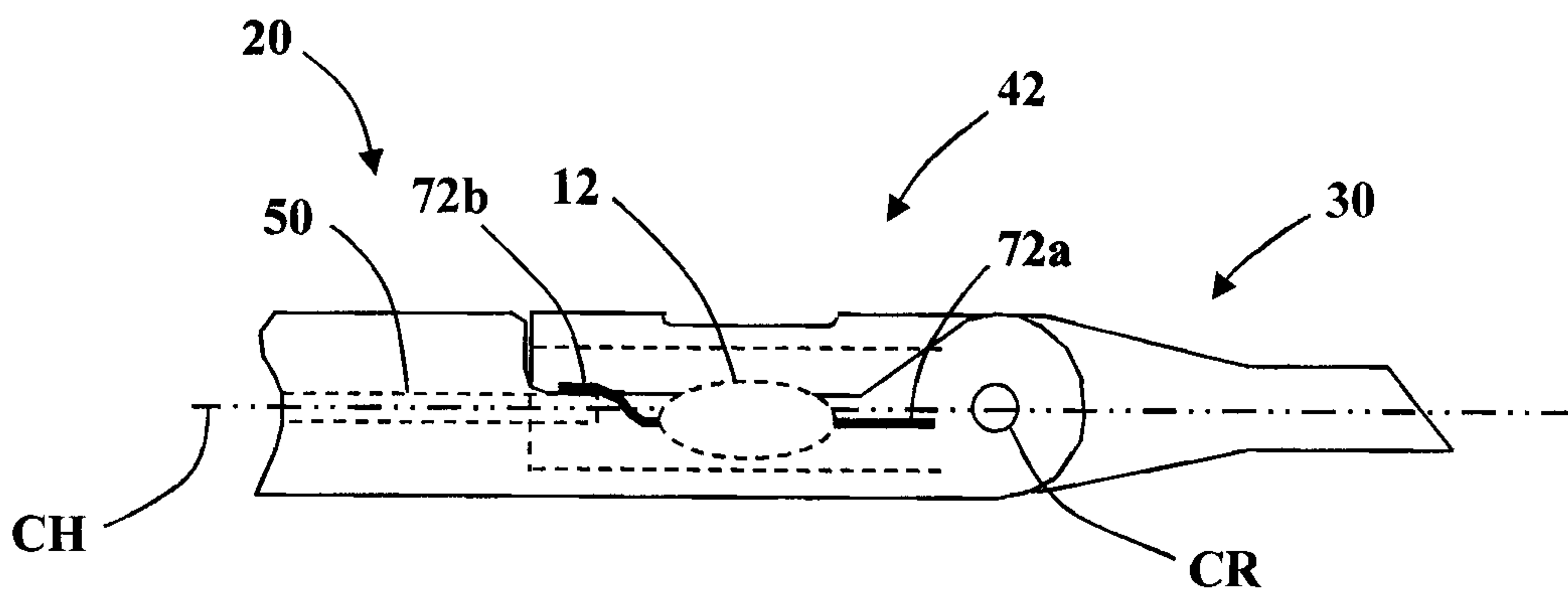


FIG. 5



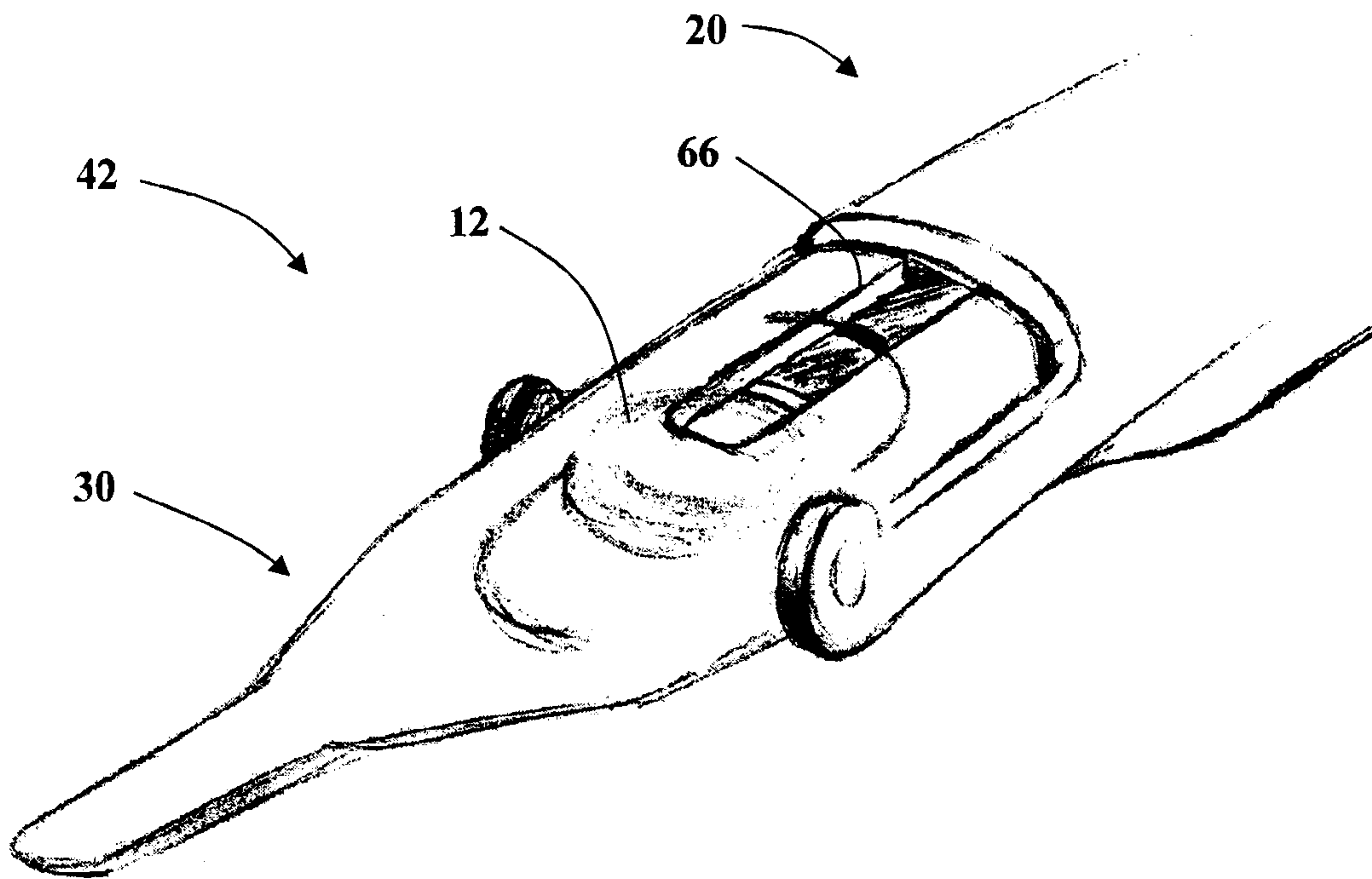


FIG. 6

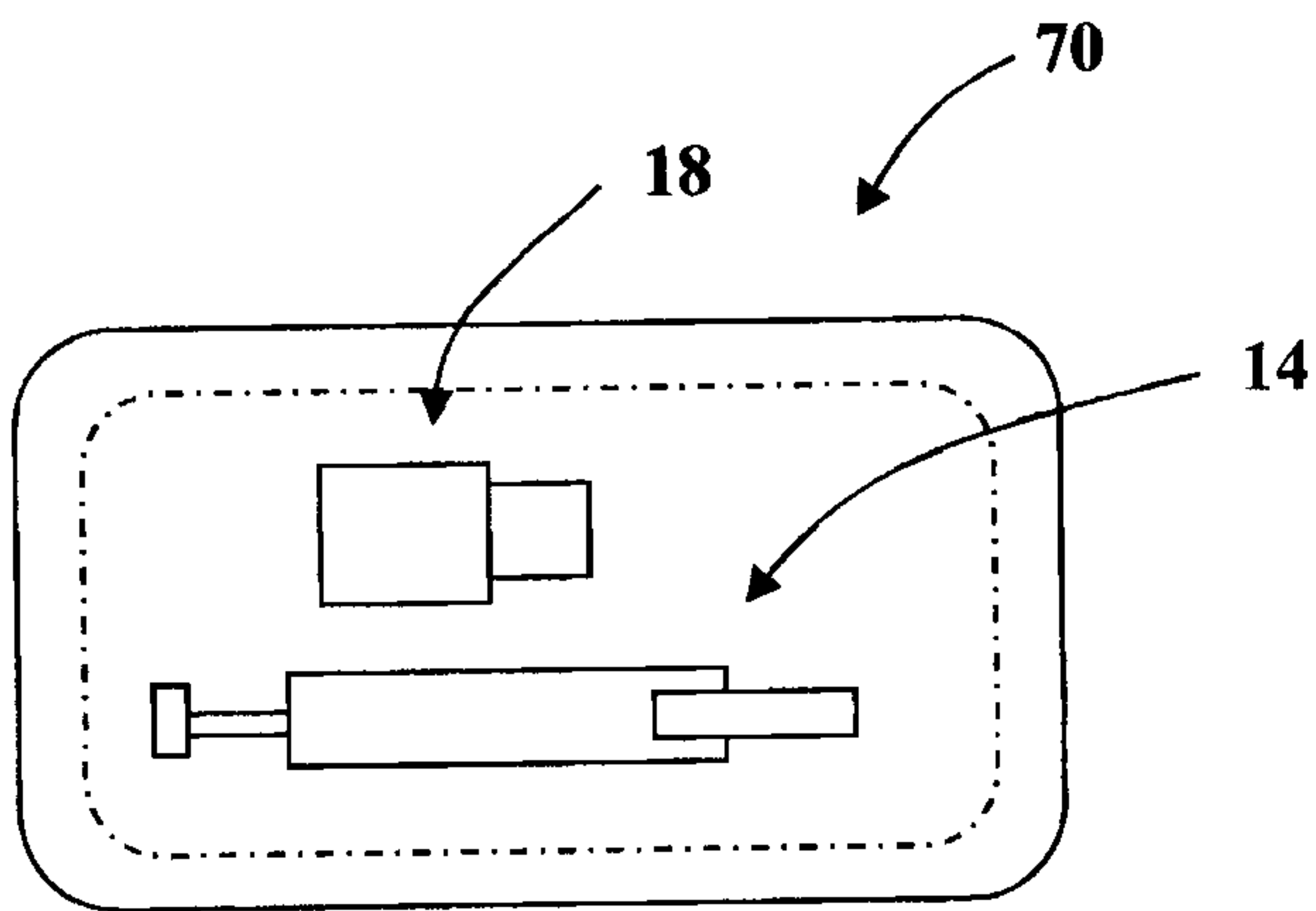


FIG. 7



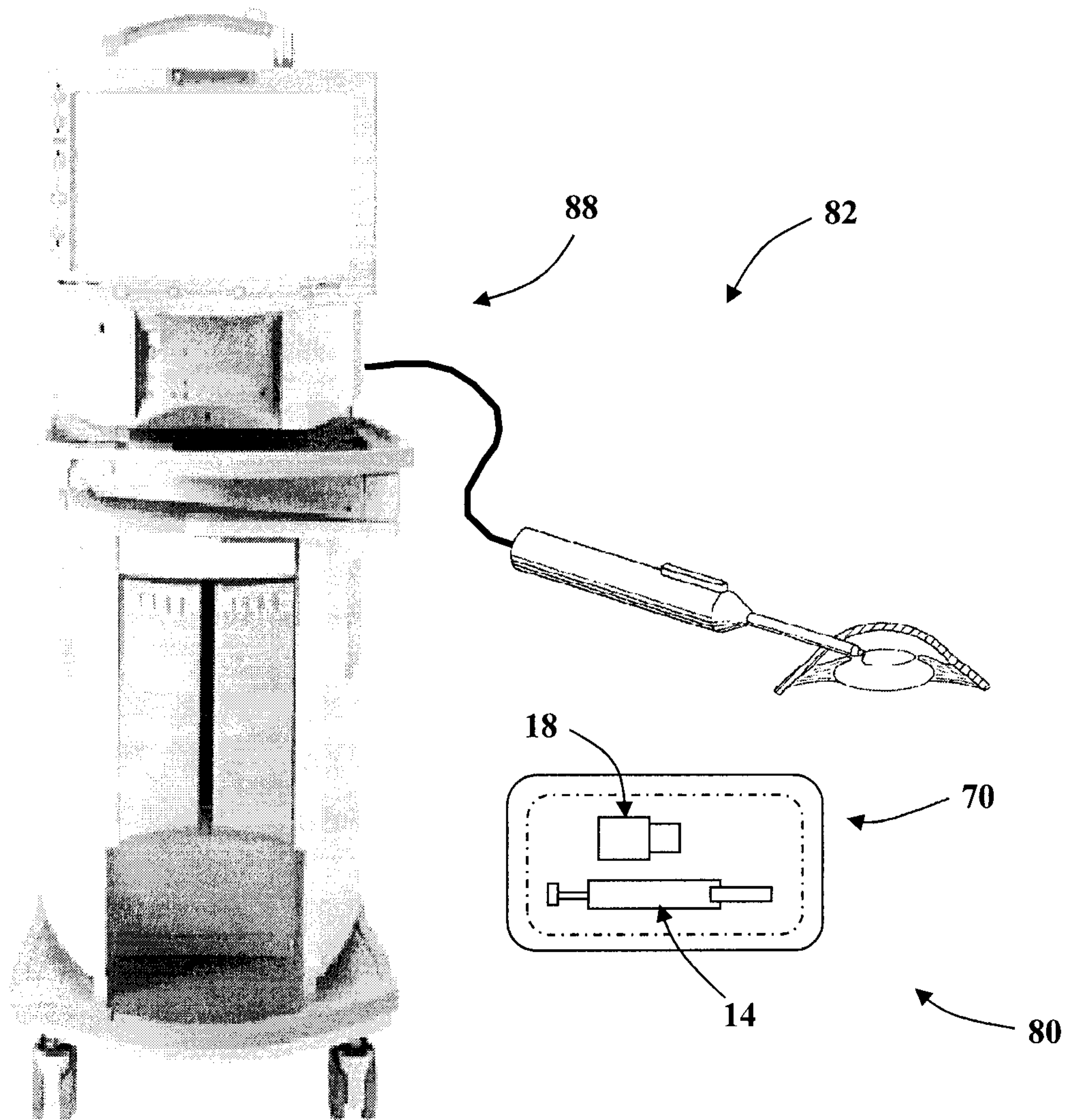


FIG. 8



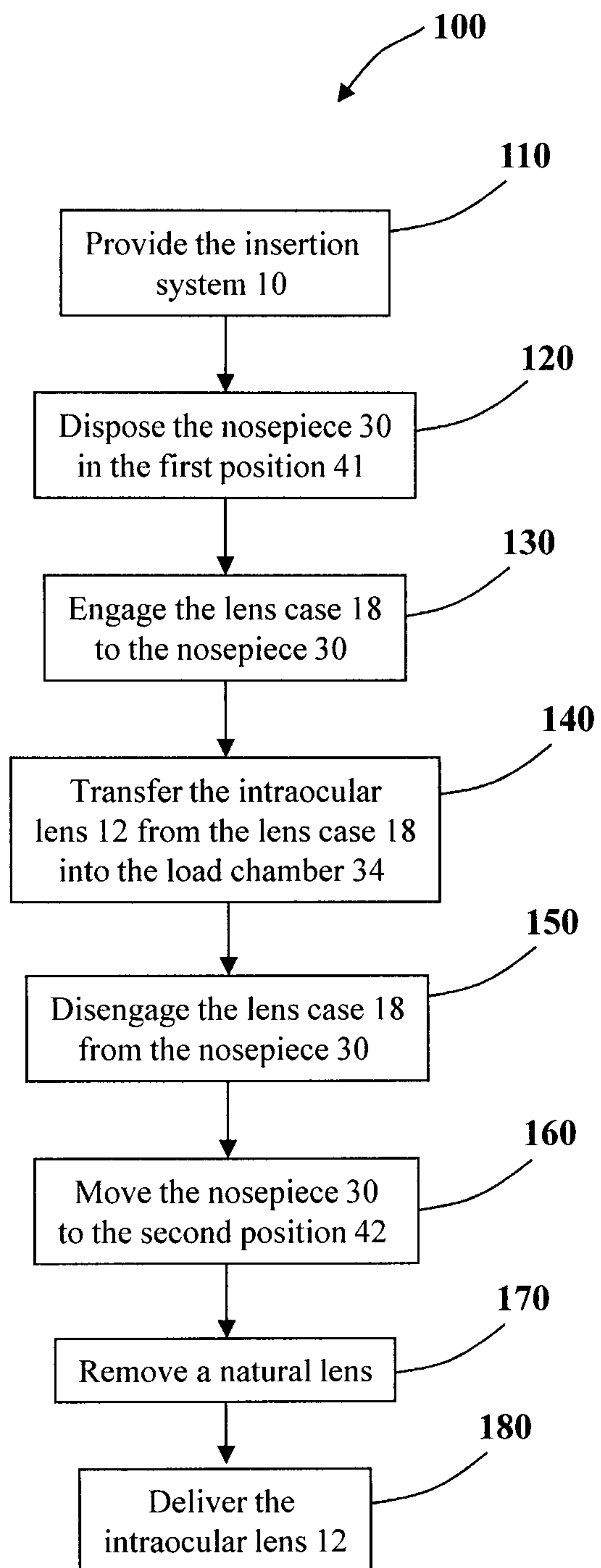


FIG. 9



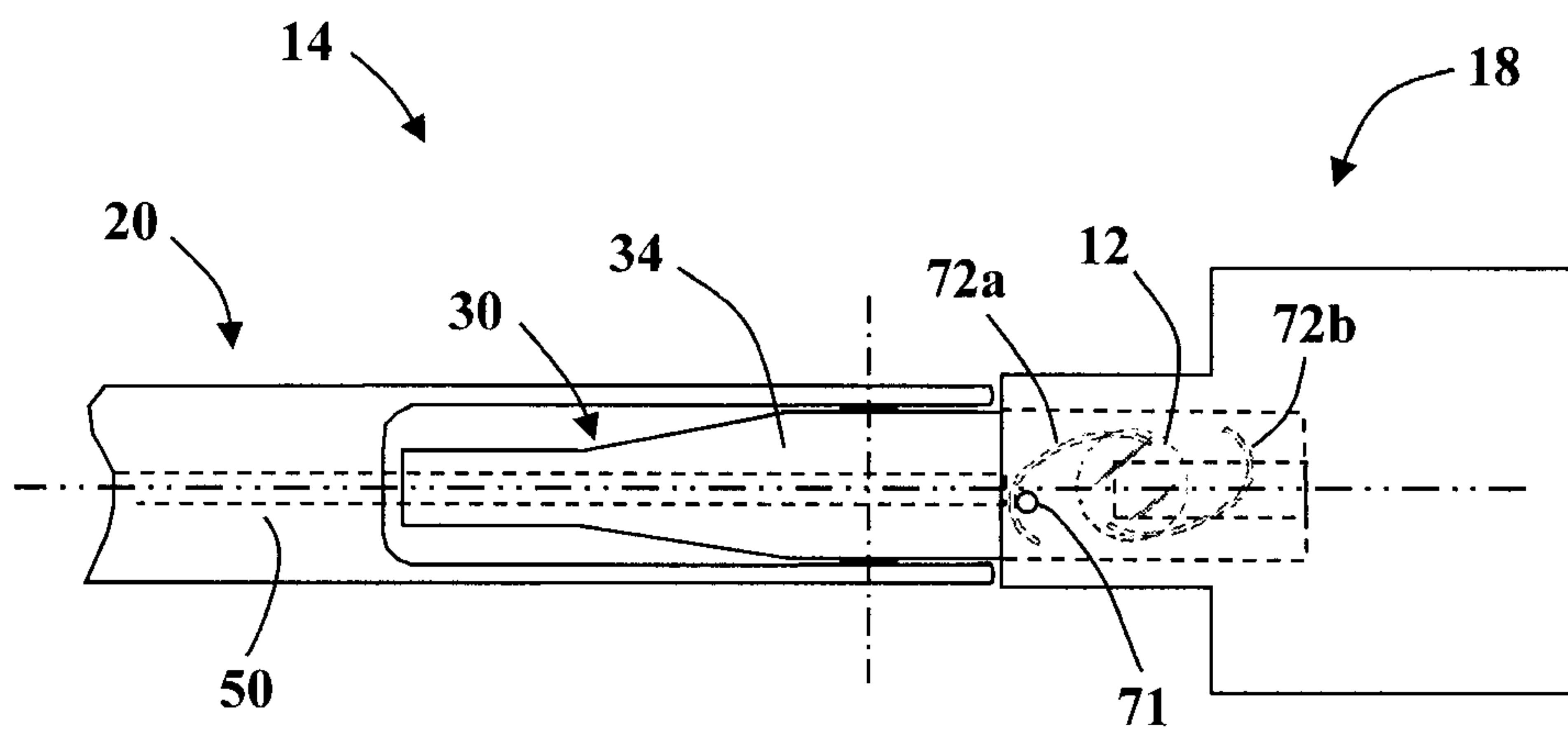


FIG. 10

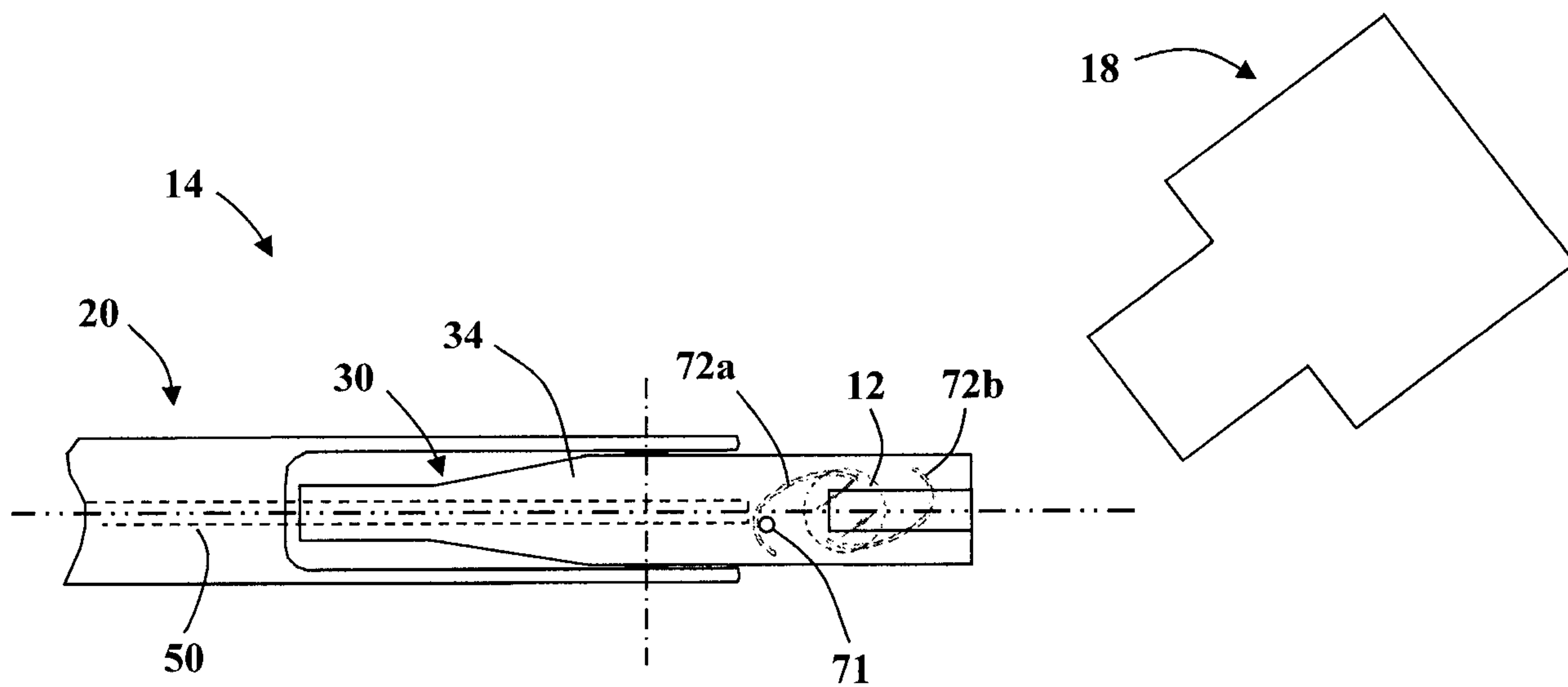
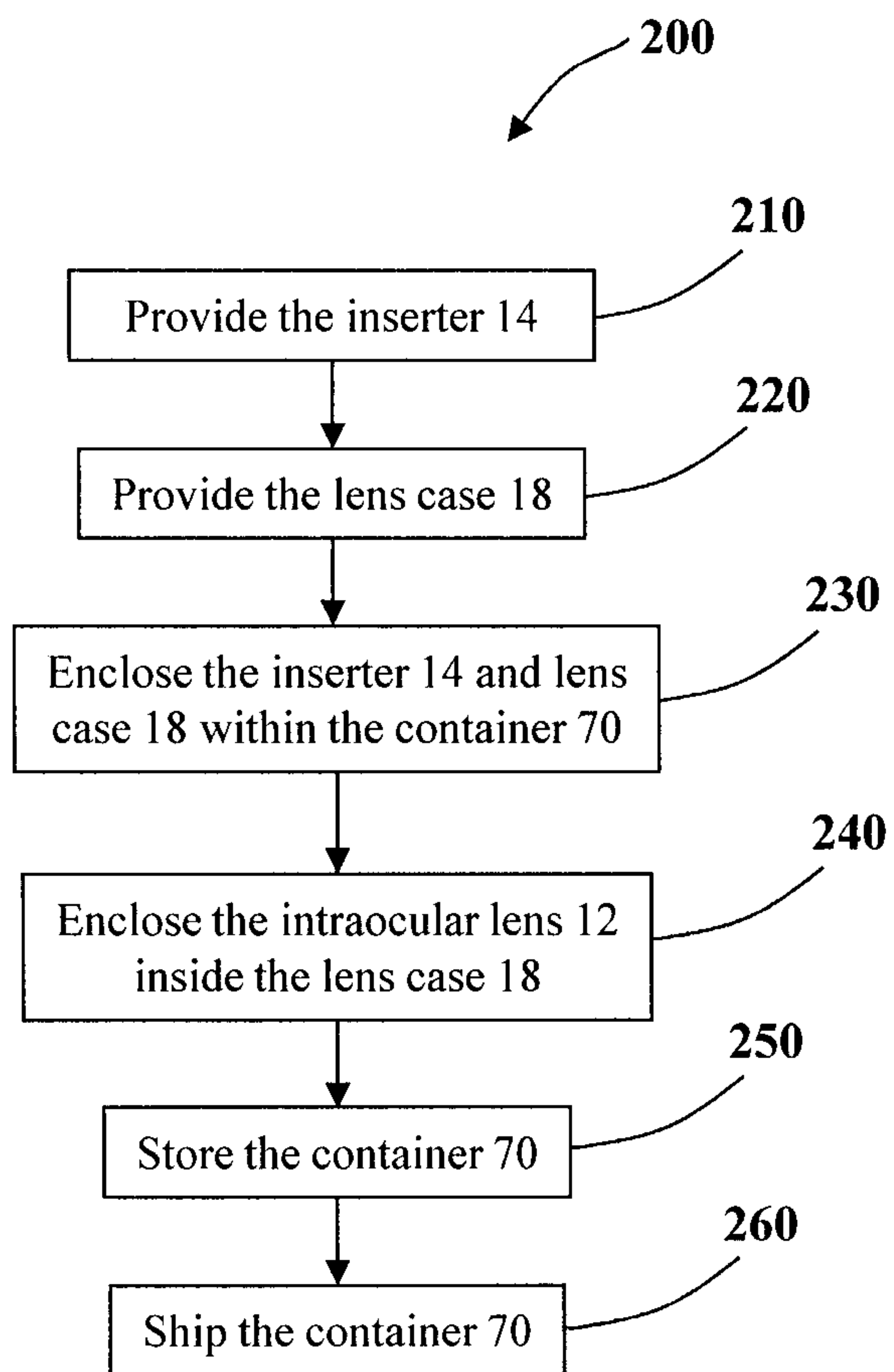


FIG. 11





**FIG. 12**



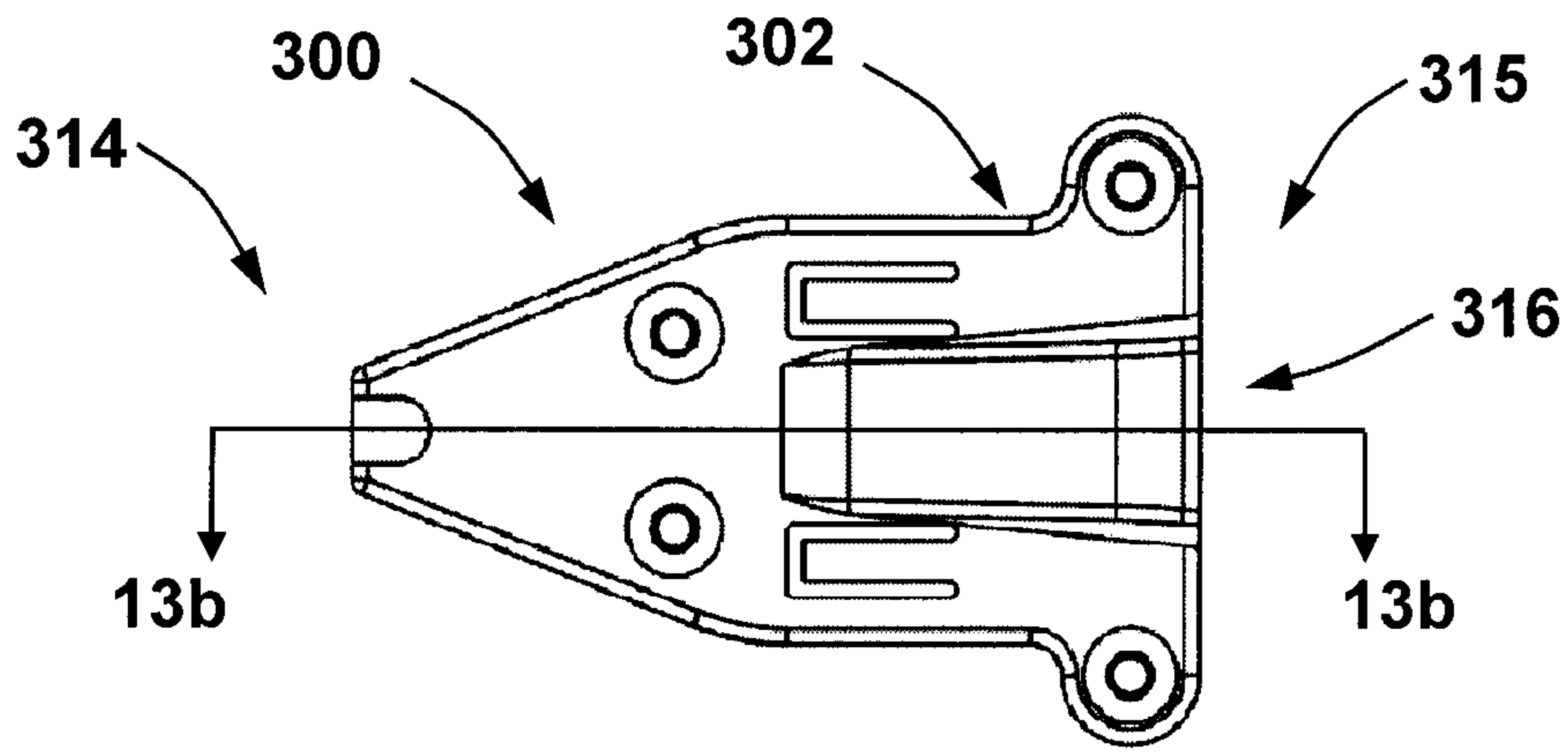


FIG. 13a

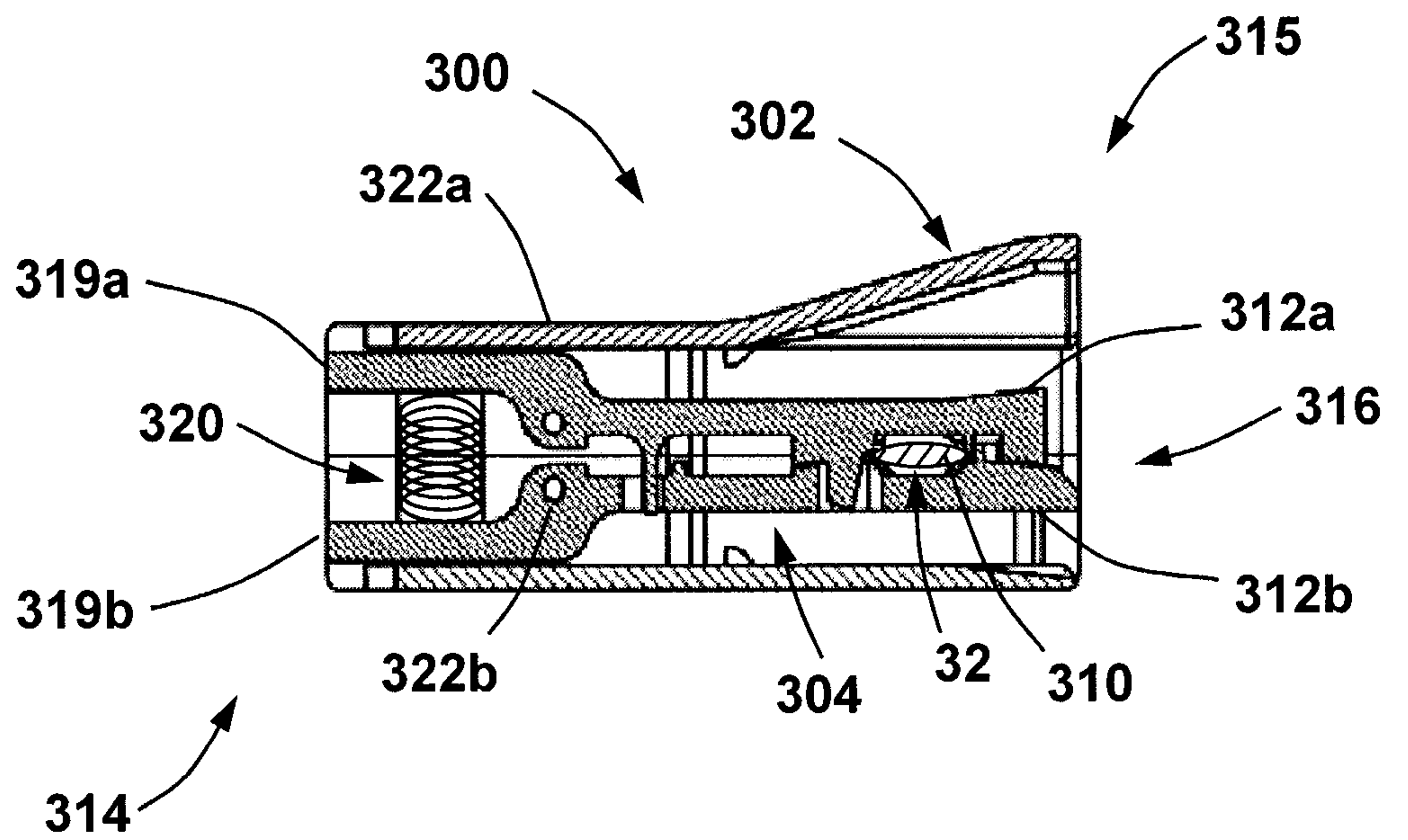


FIG. 13b

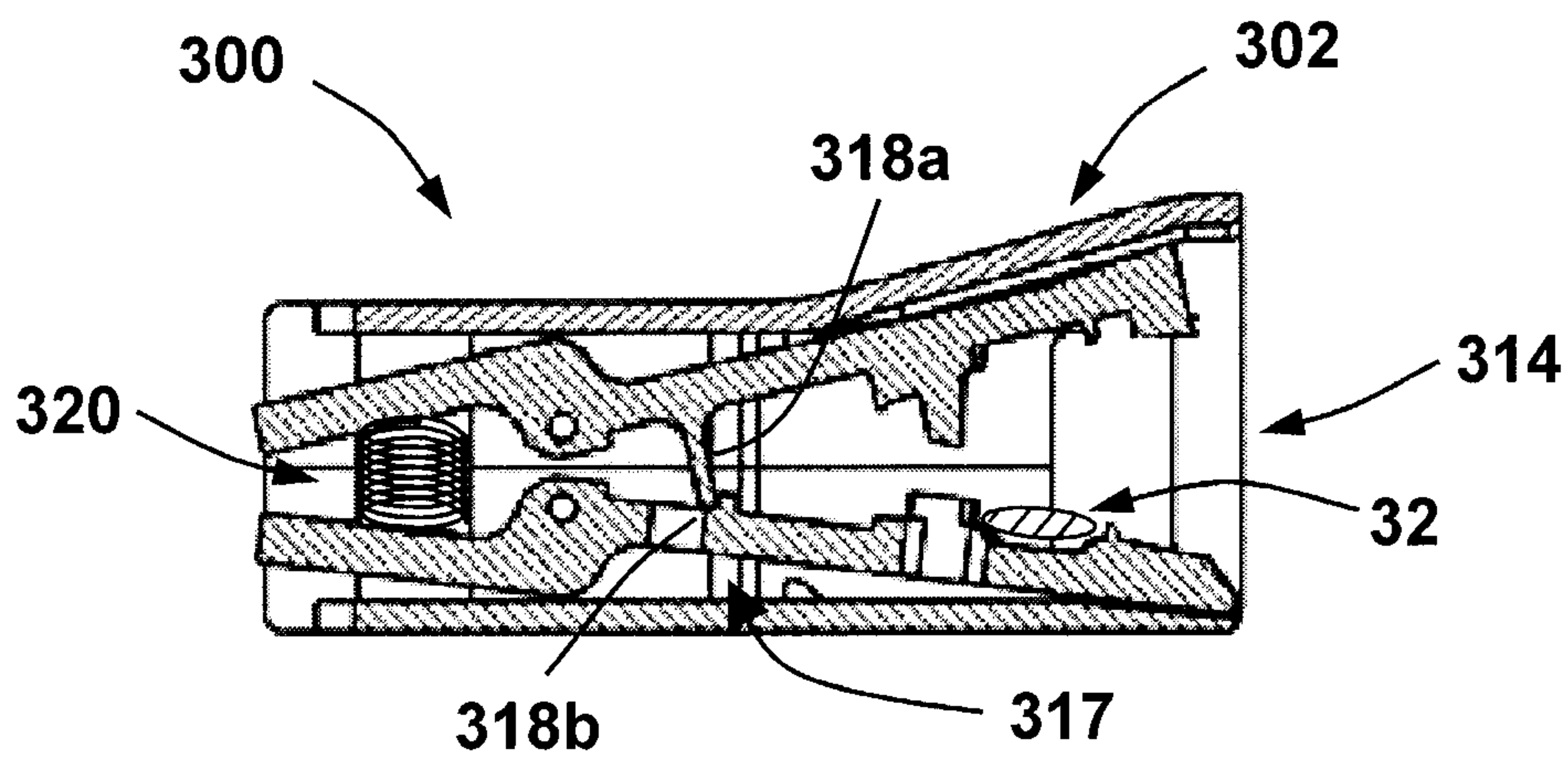


FIG. 13c



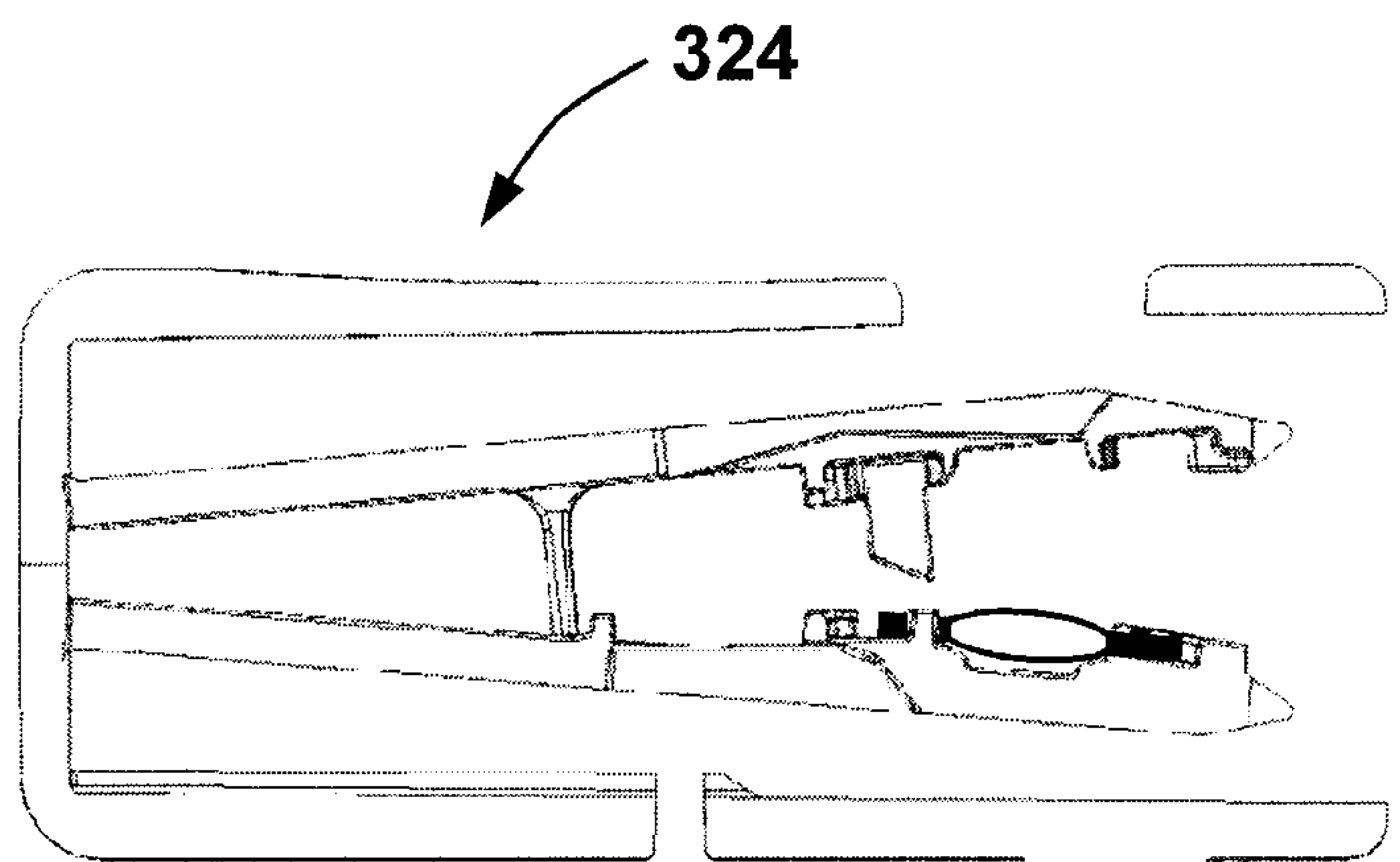
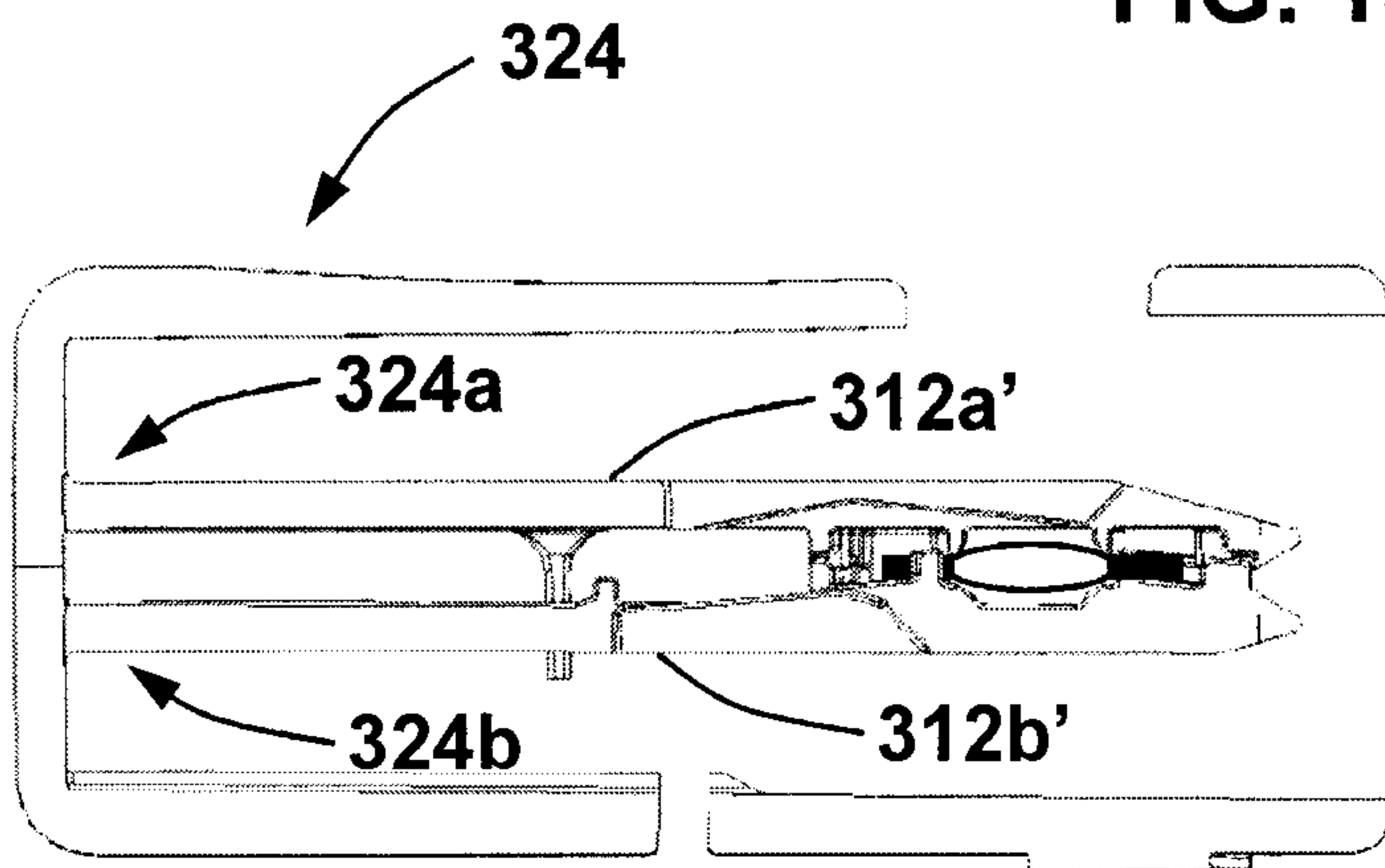
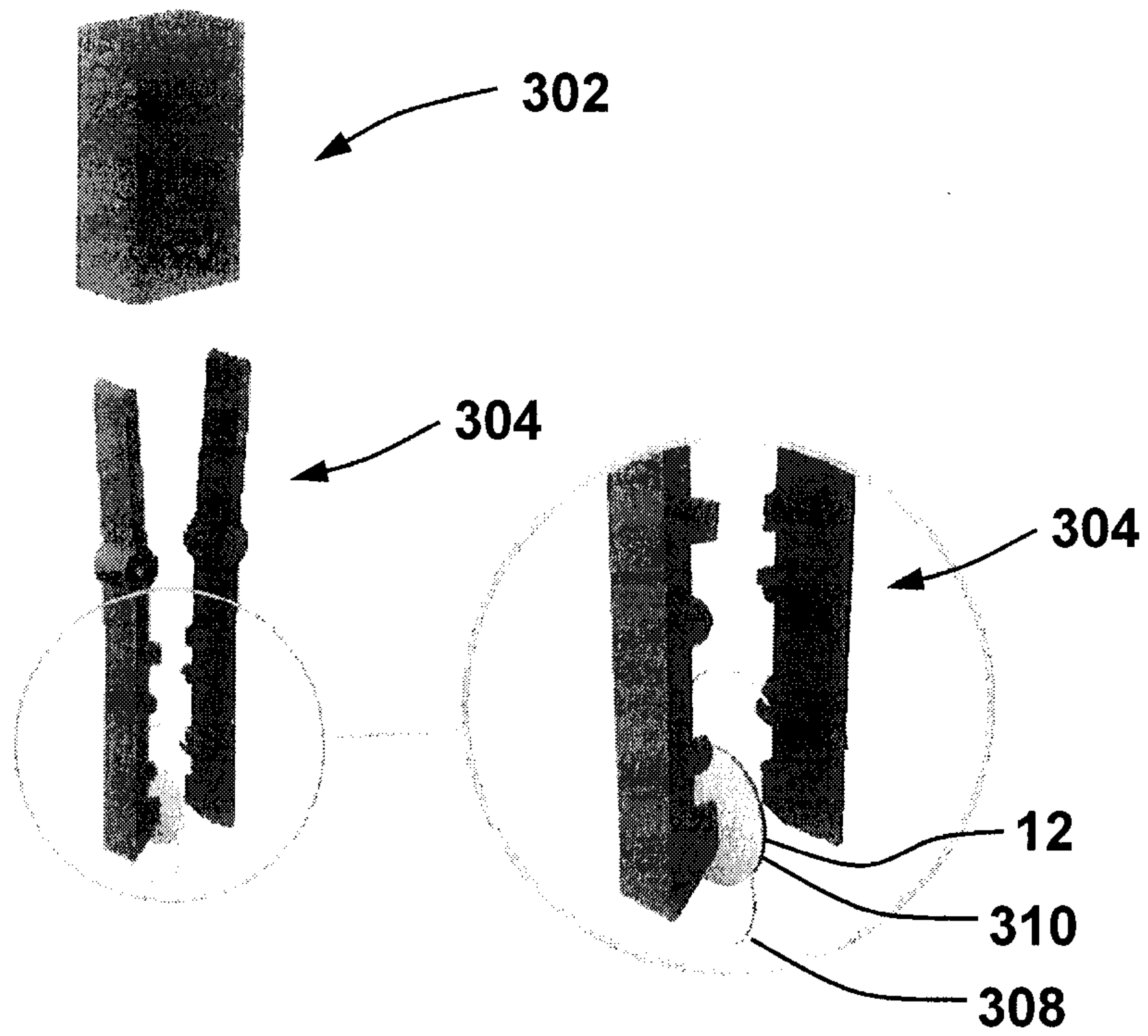


FIG. 14b

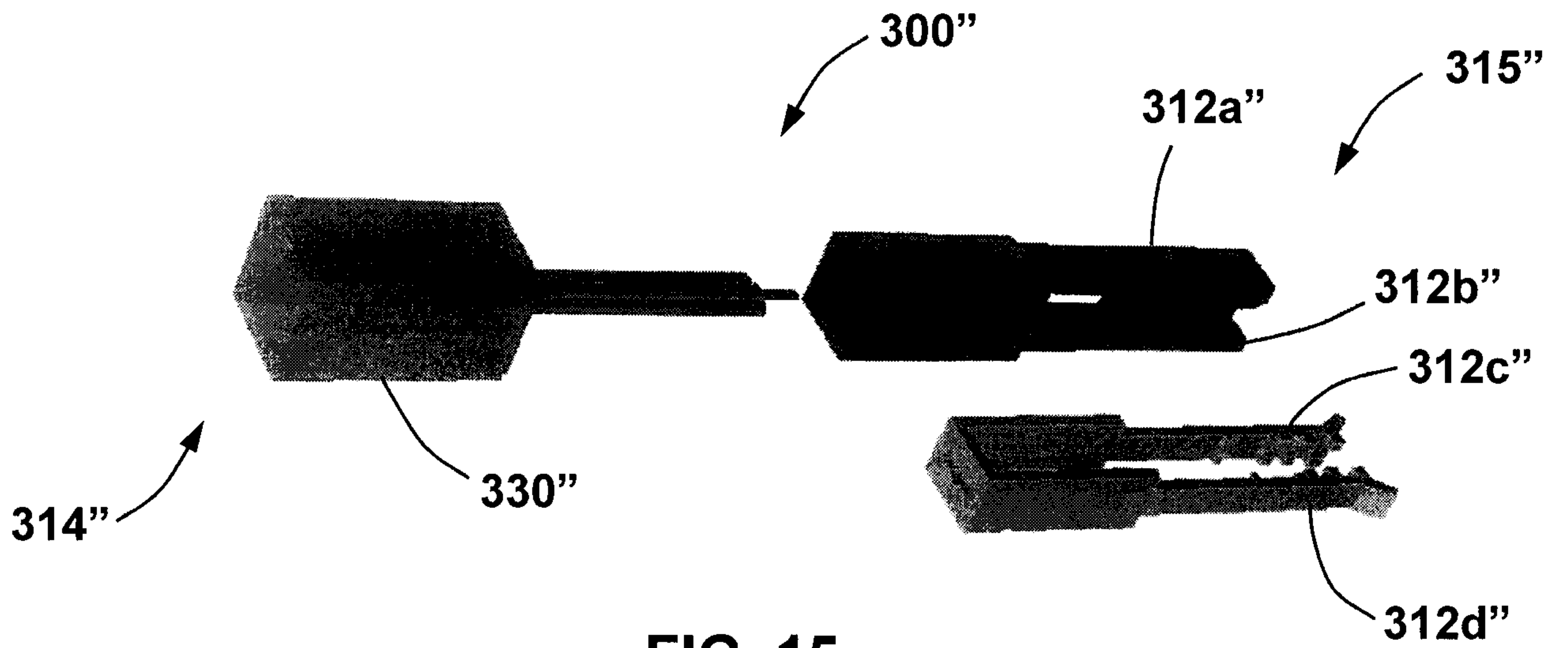


FIG. 15

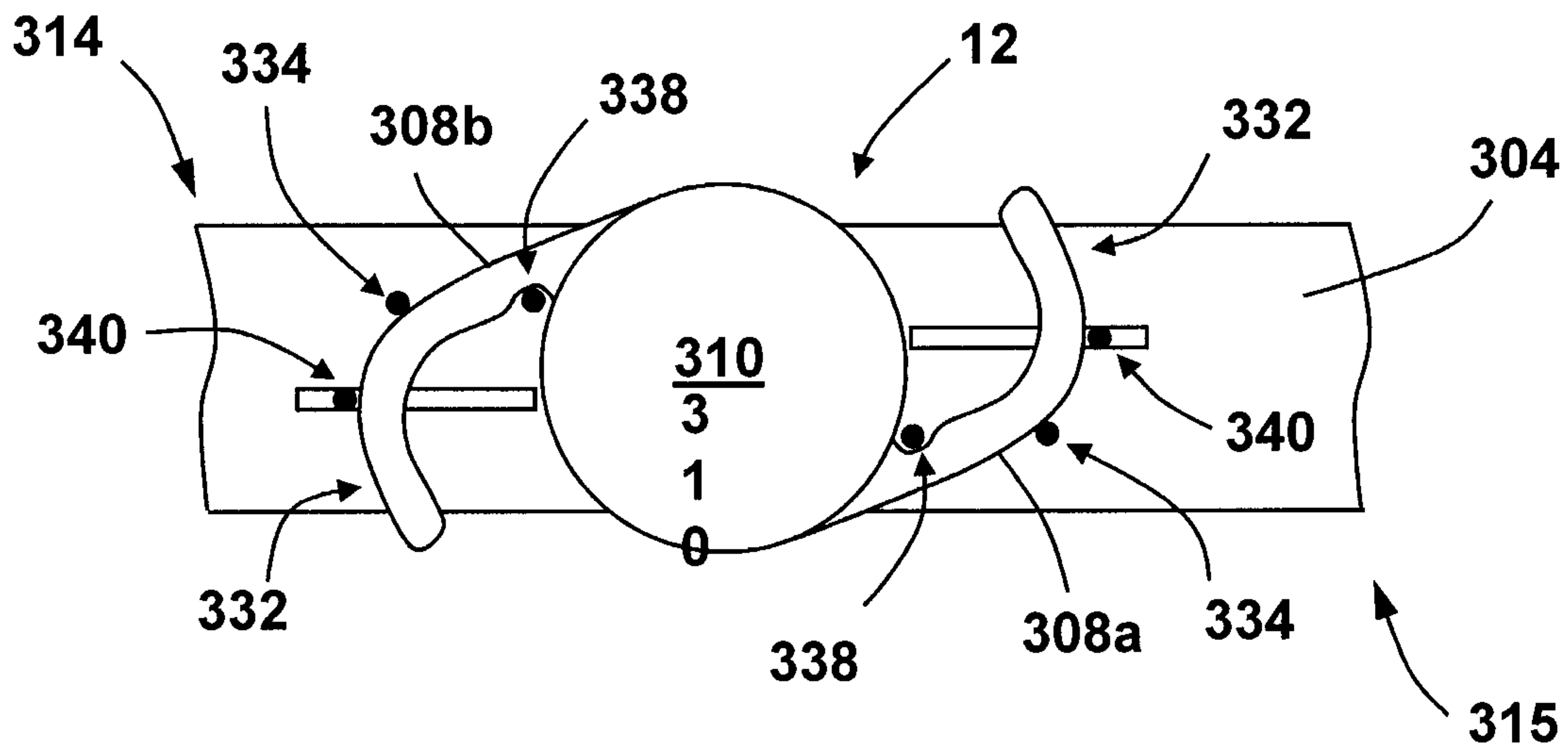


FIG. 16a

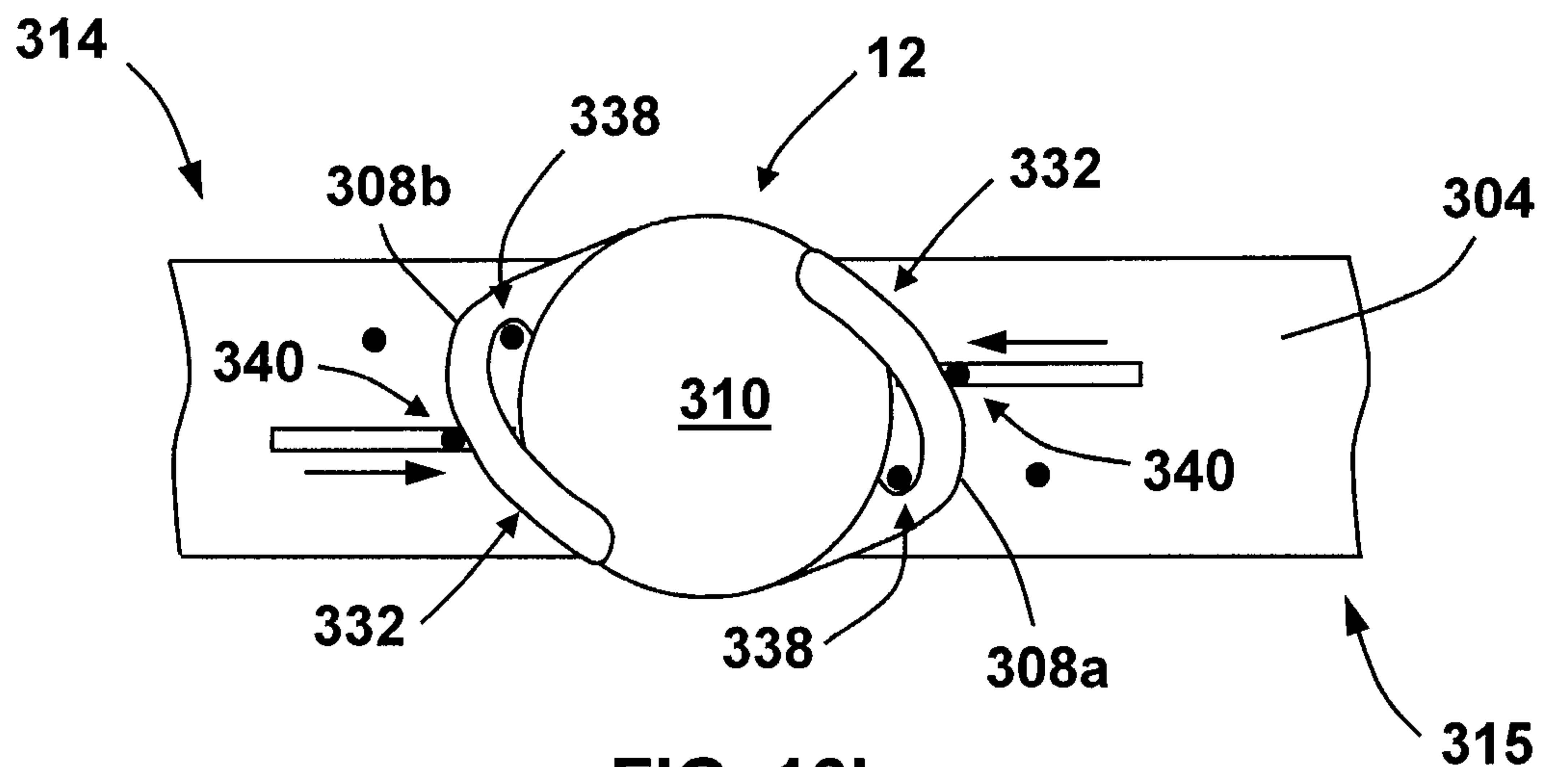


FIG. 16b



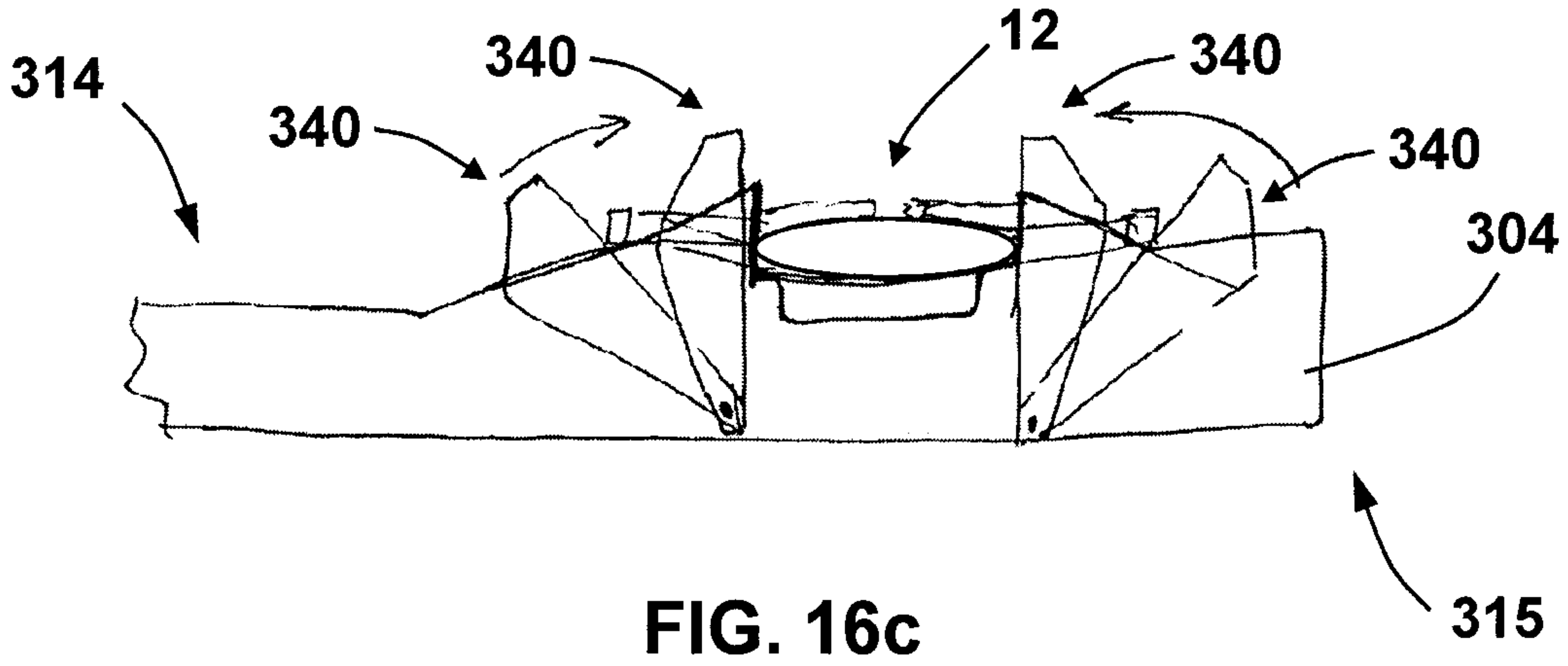


FIG. 16c

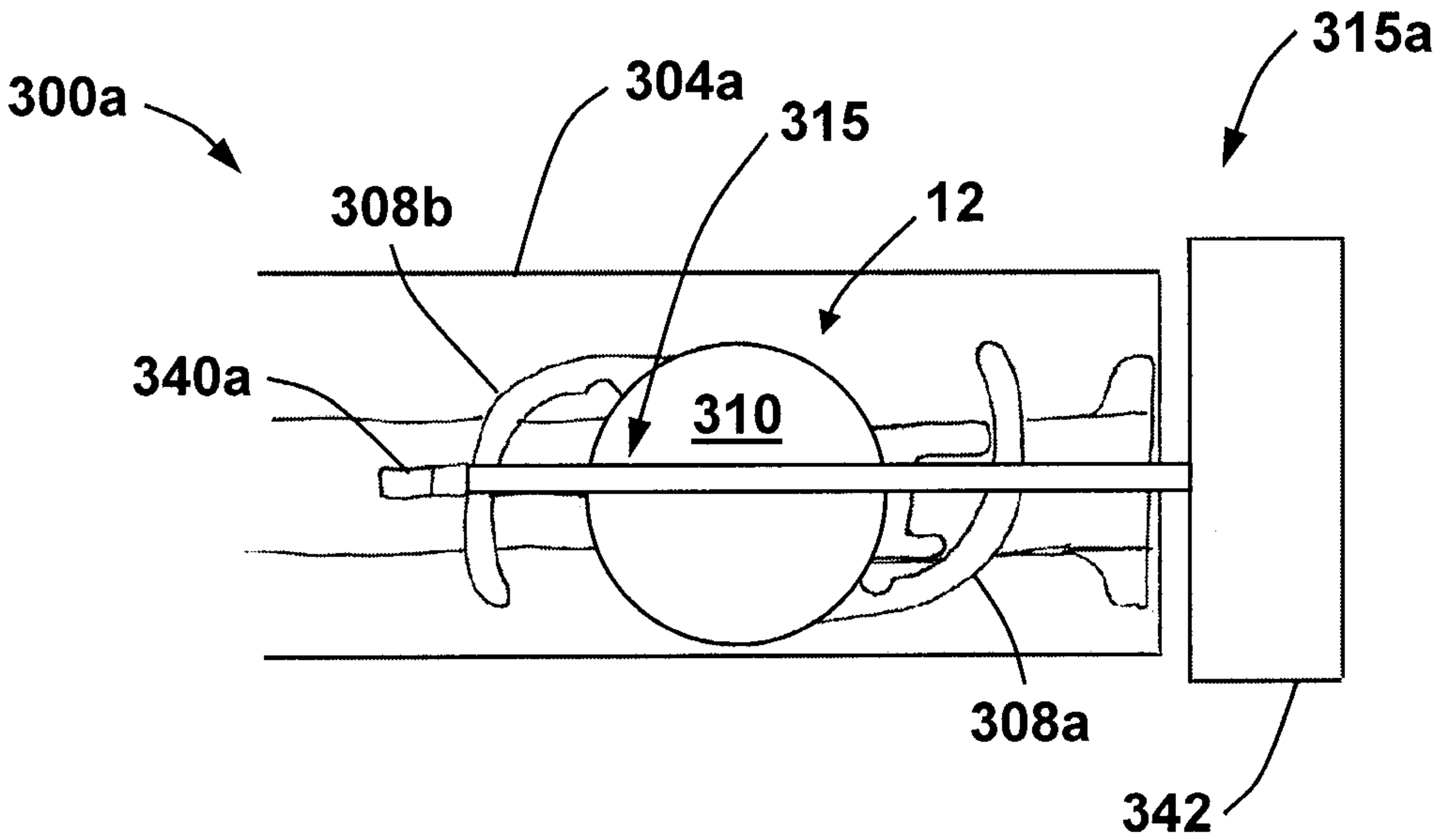


FIG. 17a

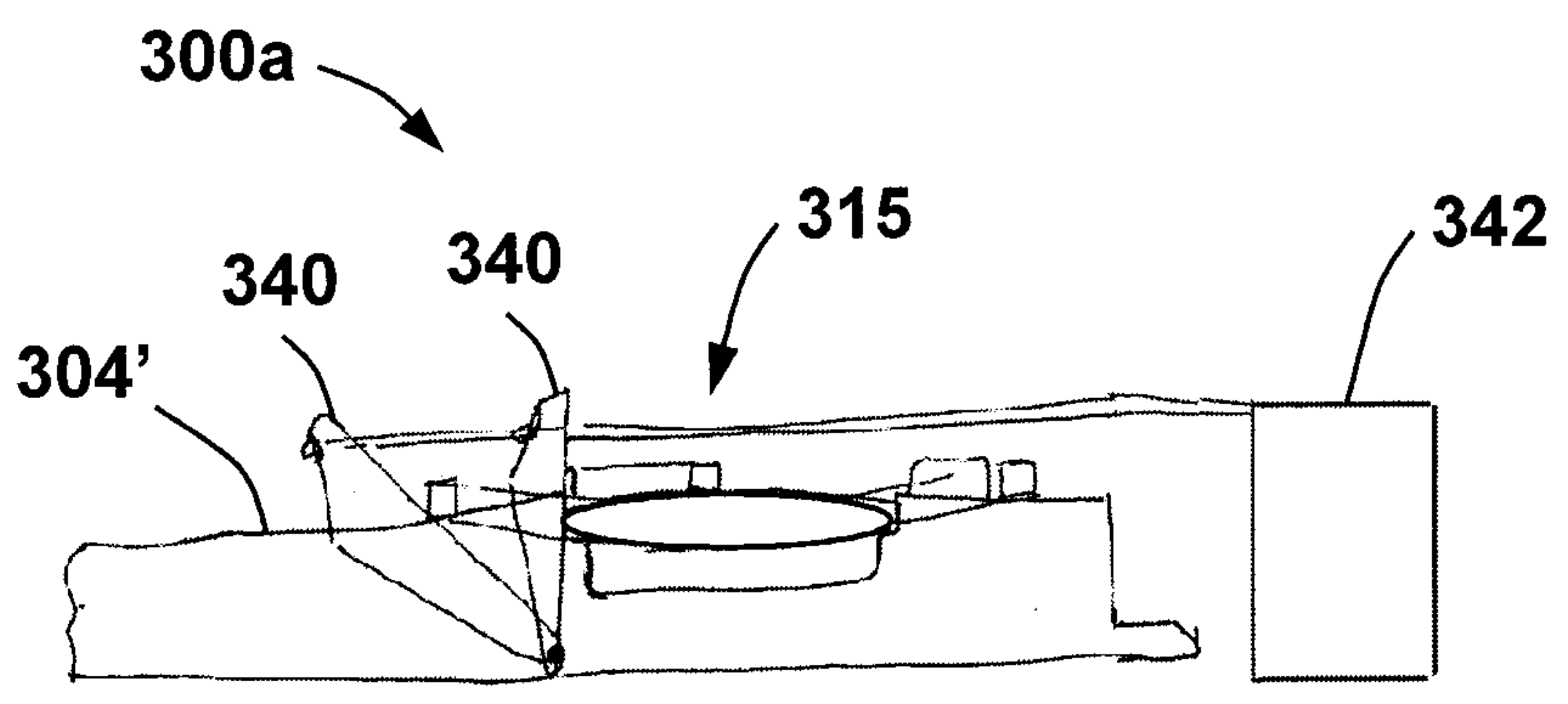


FIG. 17b

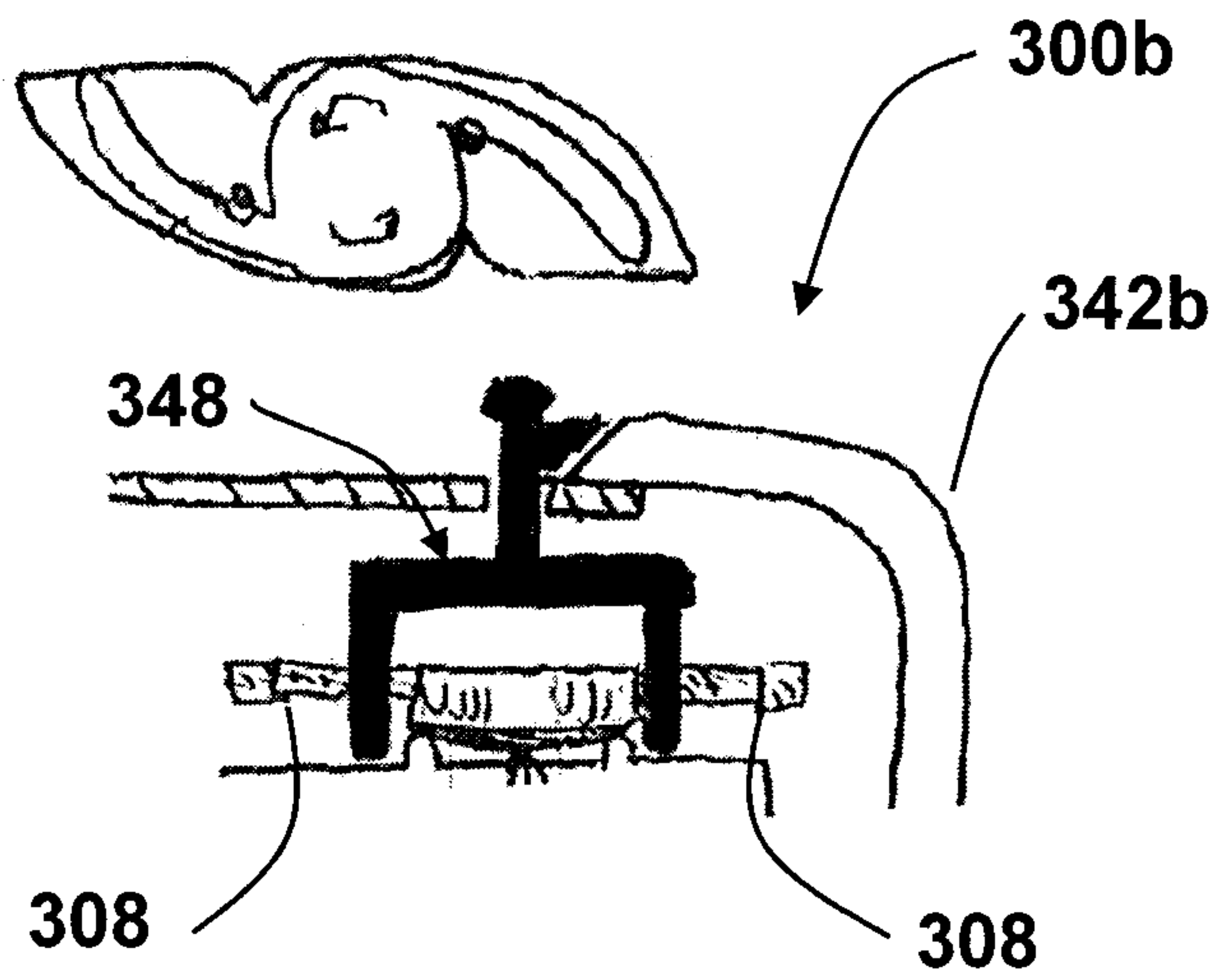


FIG. 18a

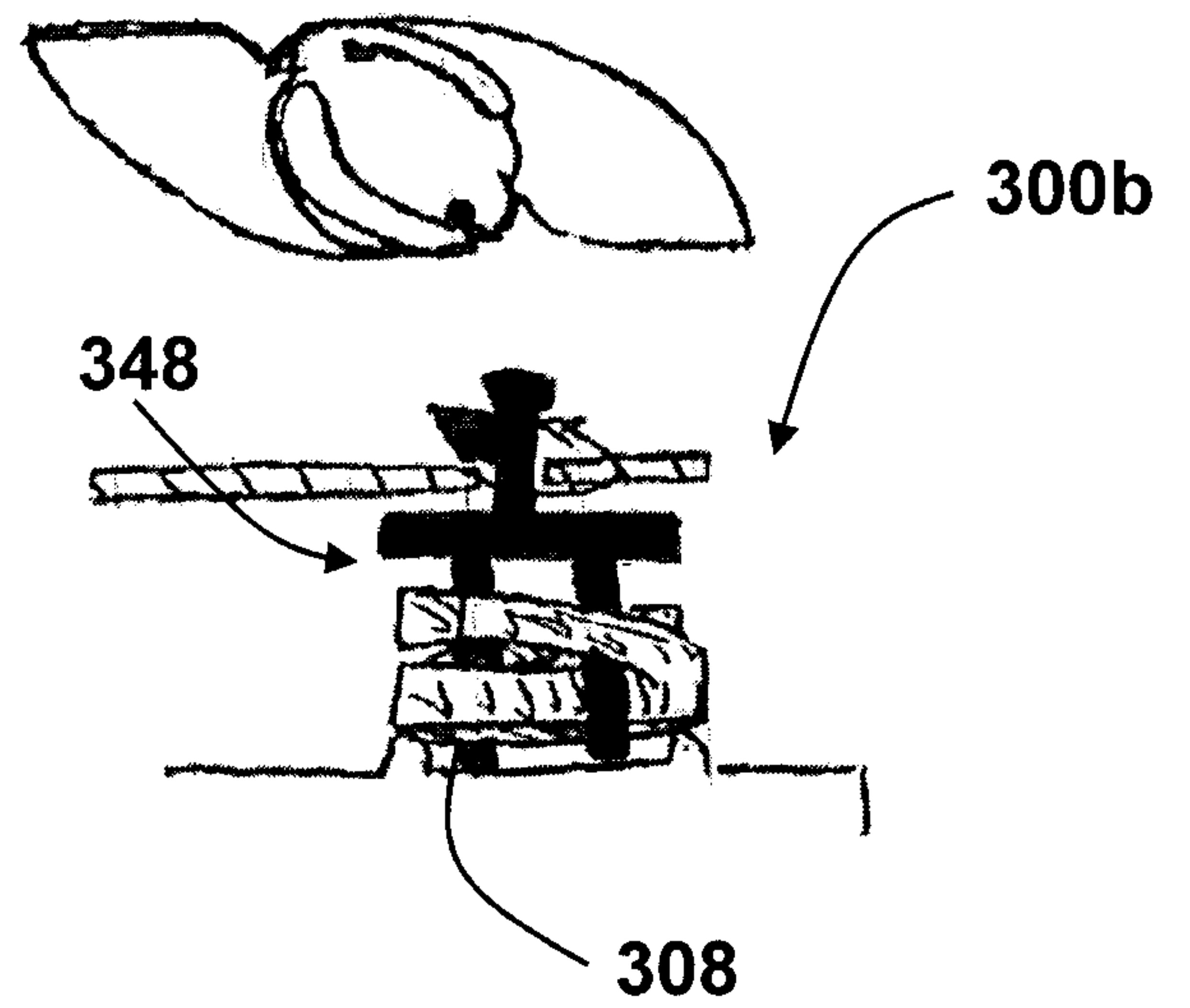


FIG. 18b

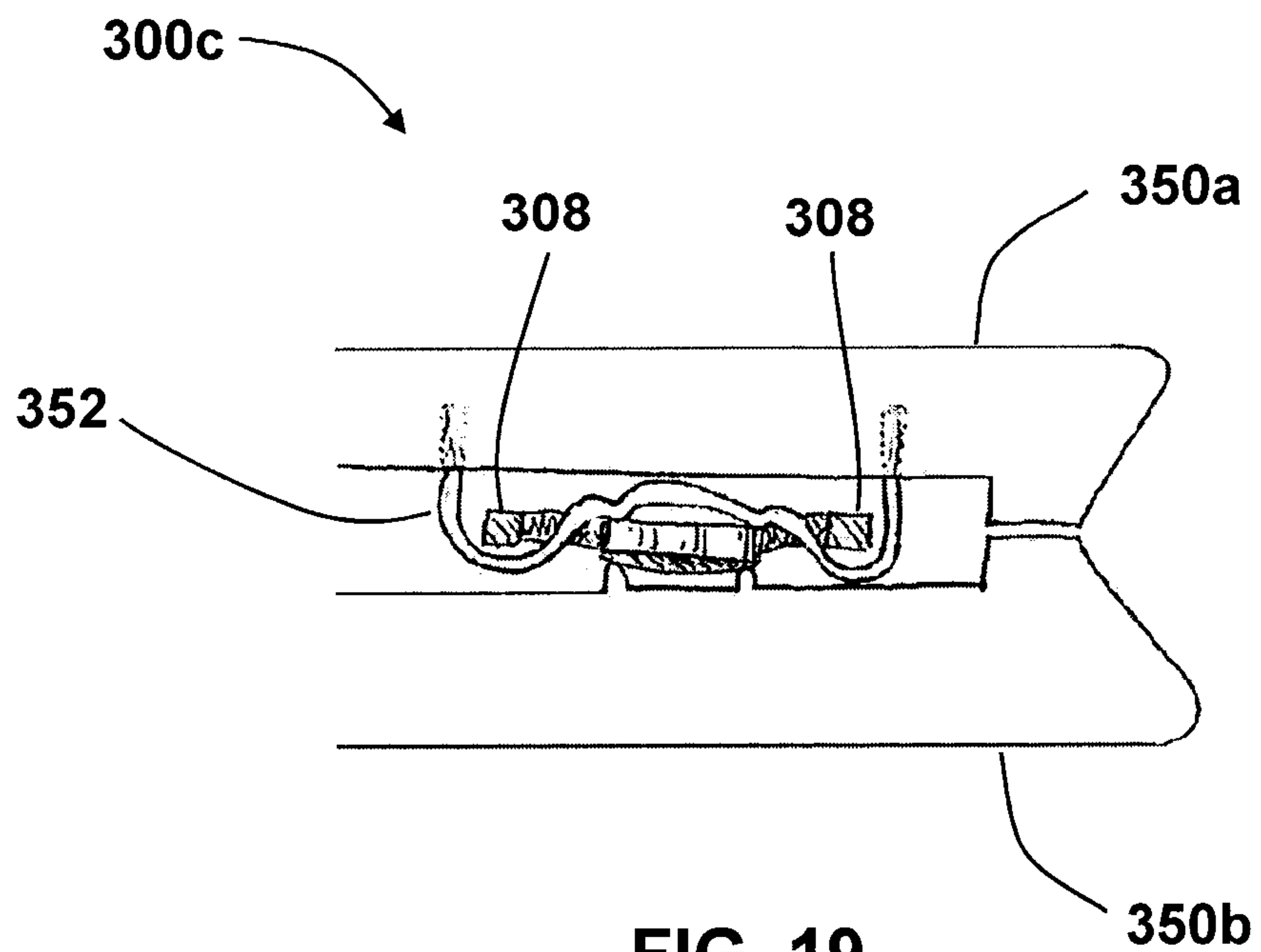


FIG. 19



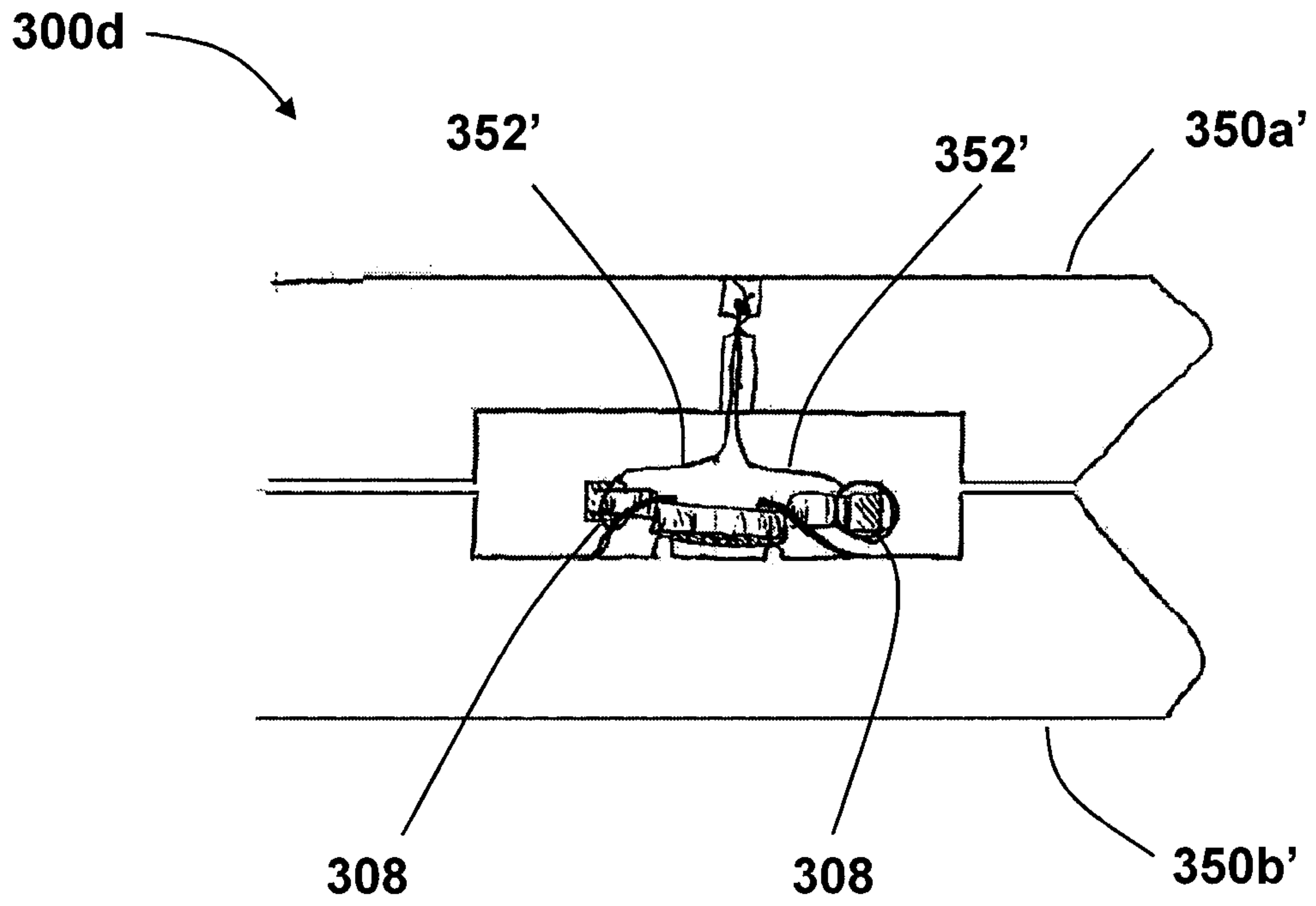


FIG. 20

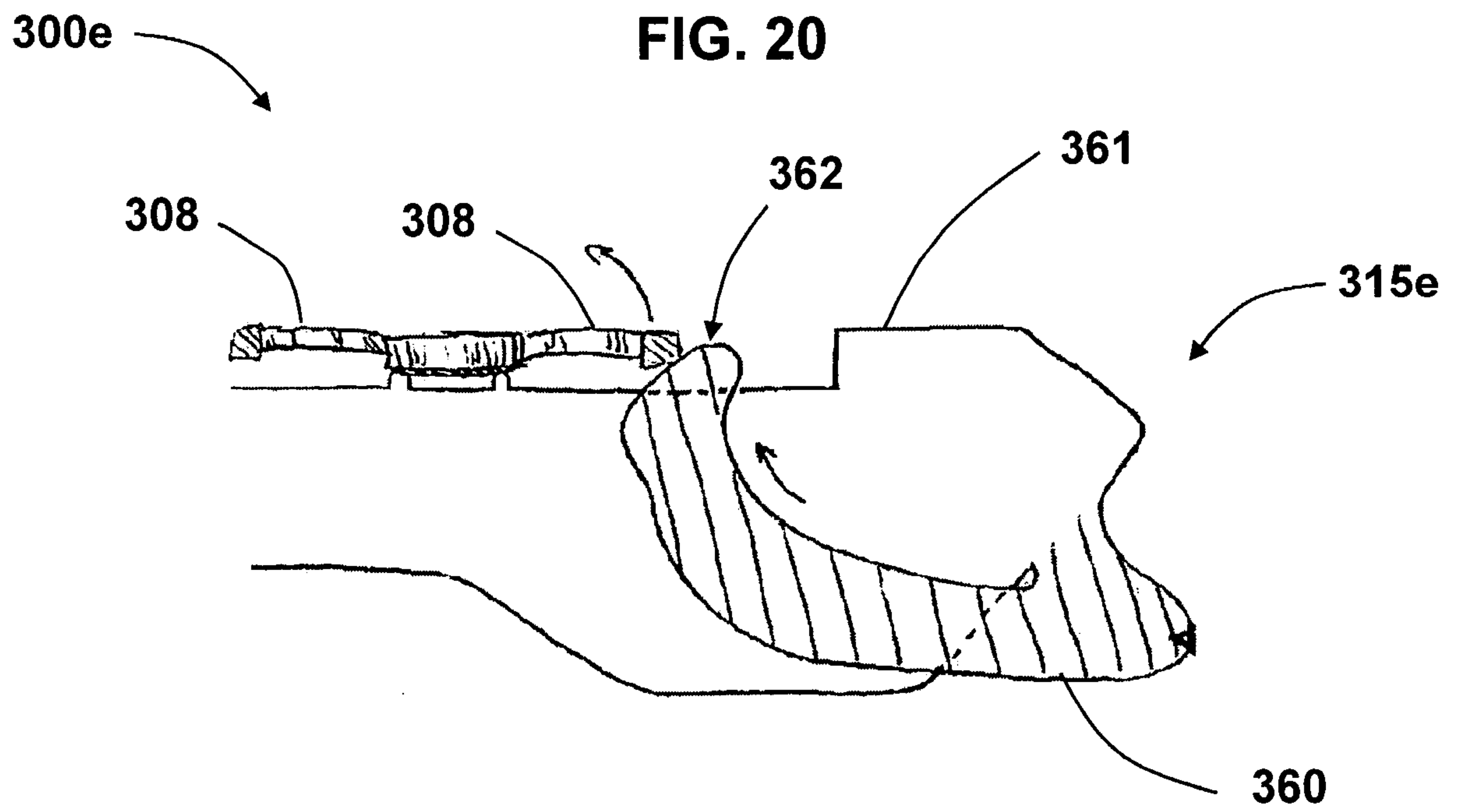


FIG. 21

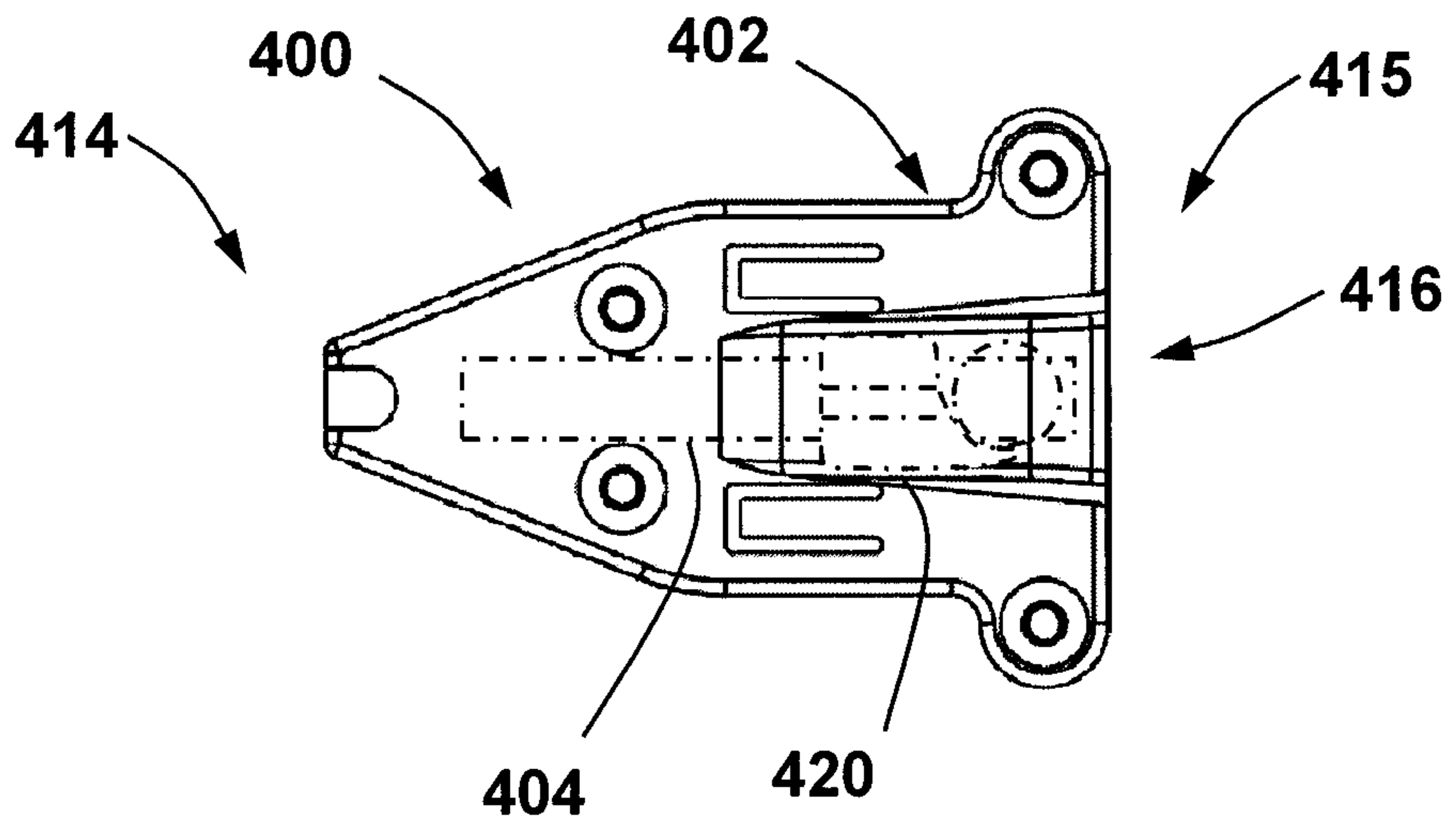


FIG. 22

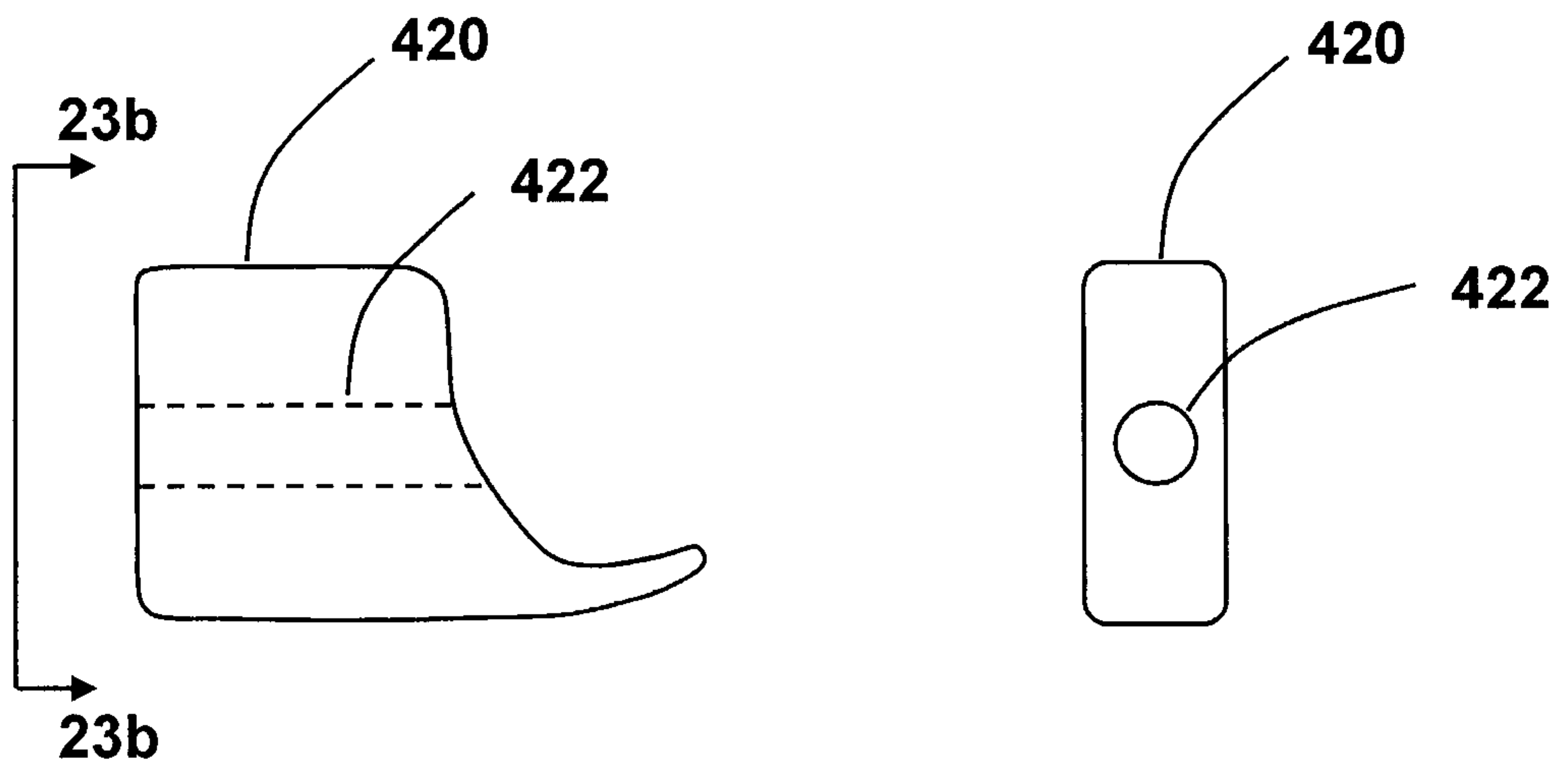


FIG. 23a

FIG. 23b



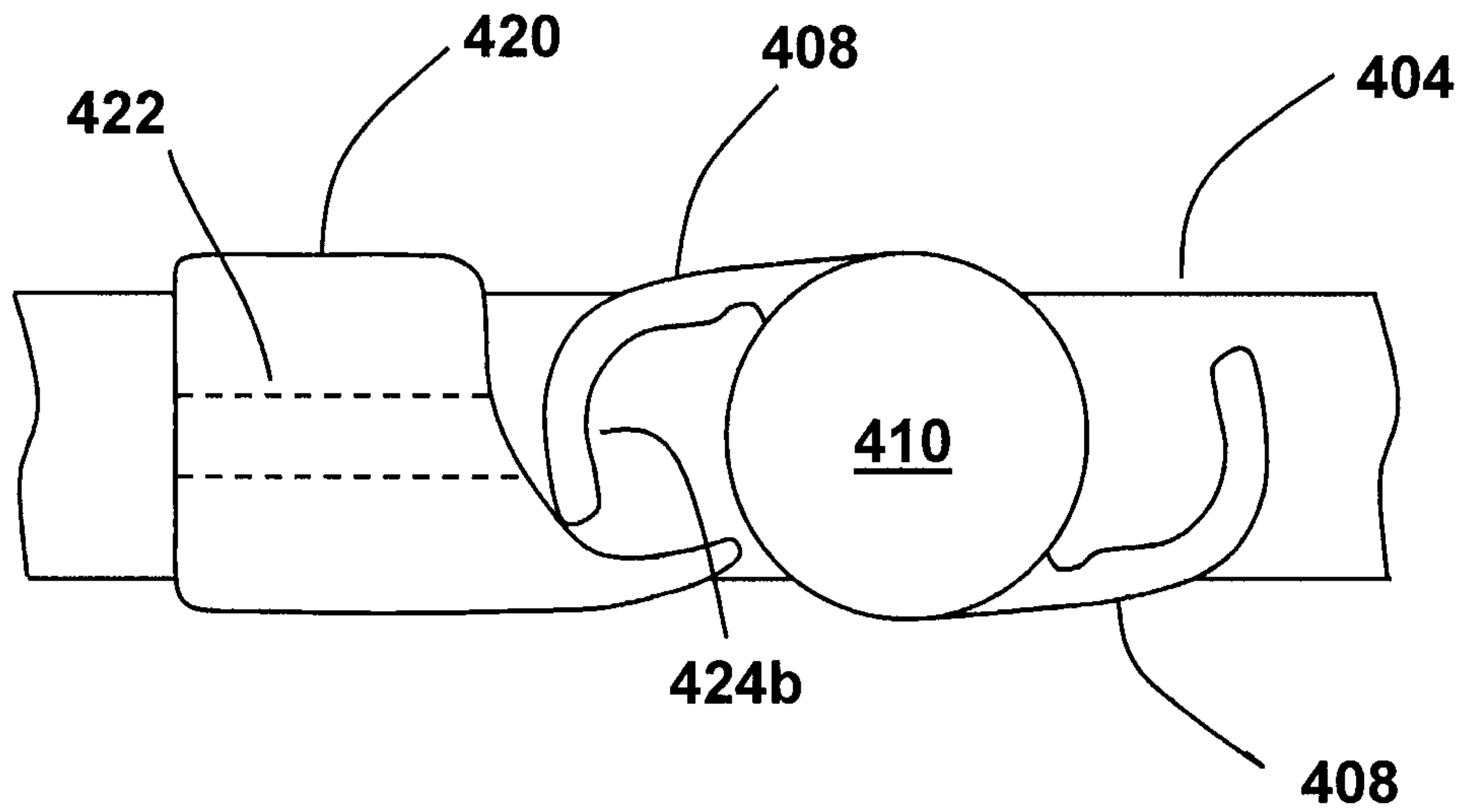


FIG. 24a

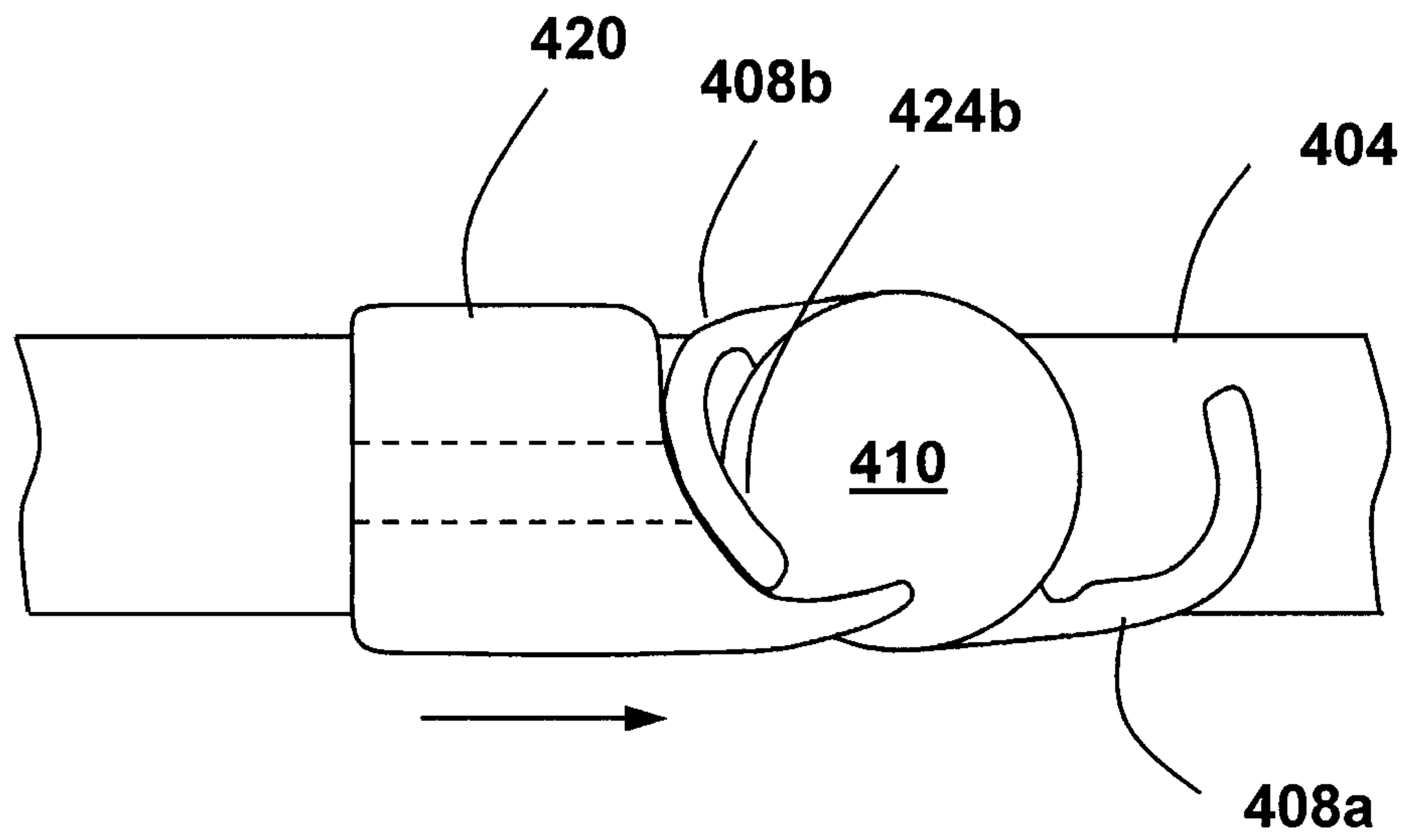
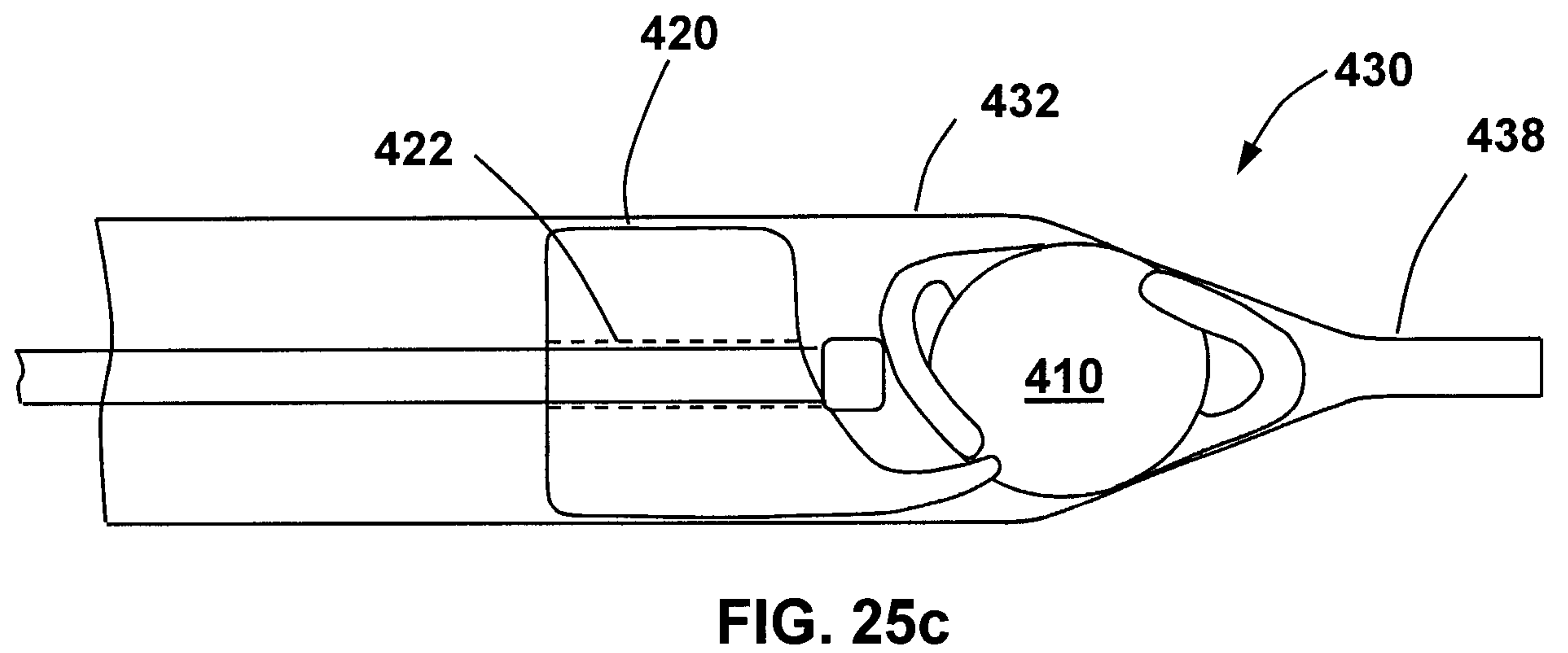
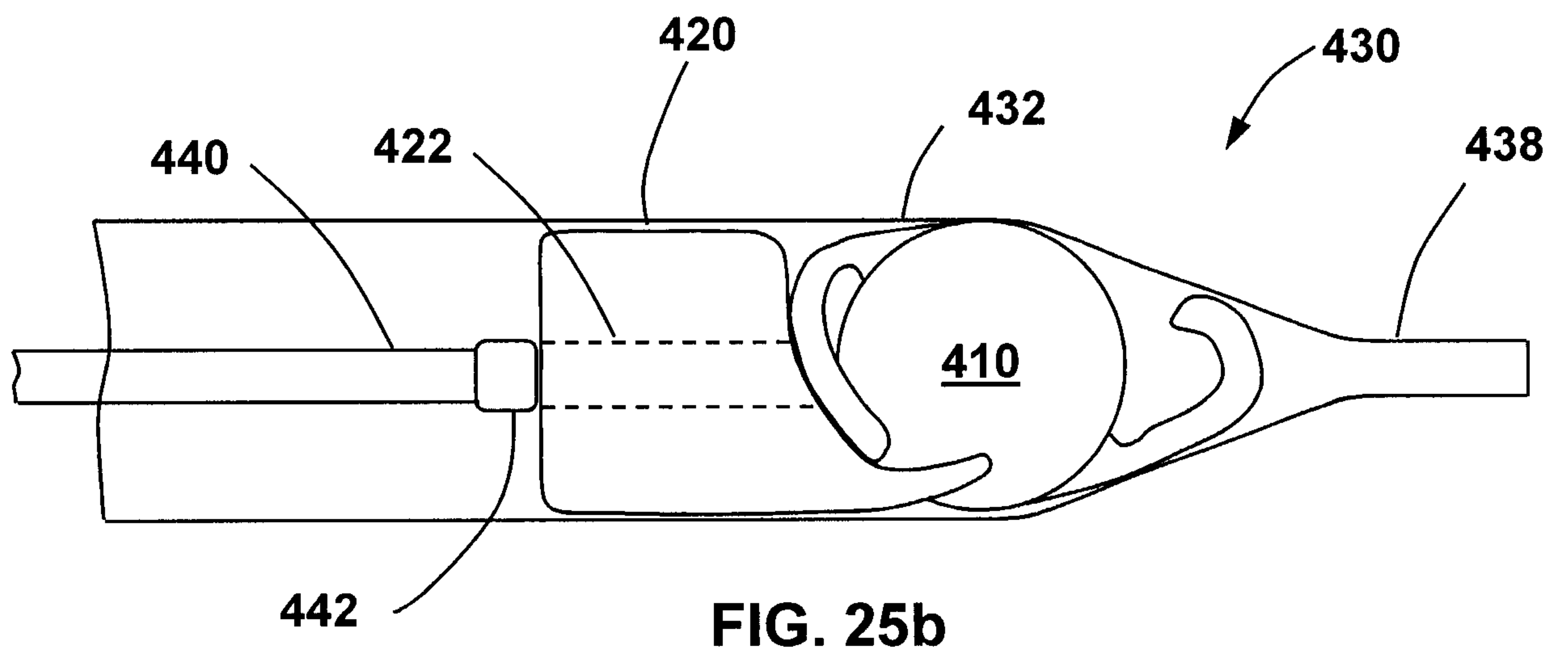
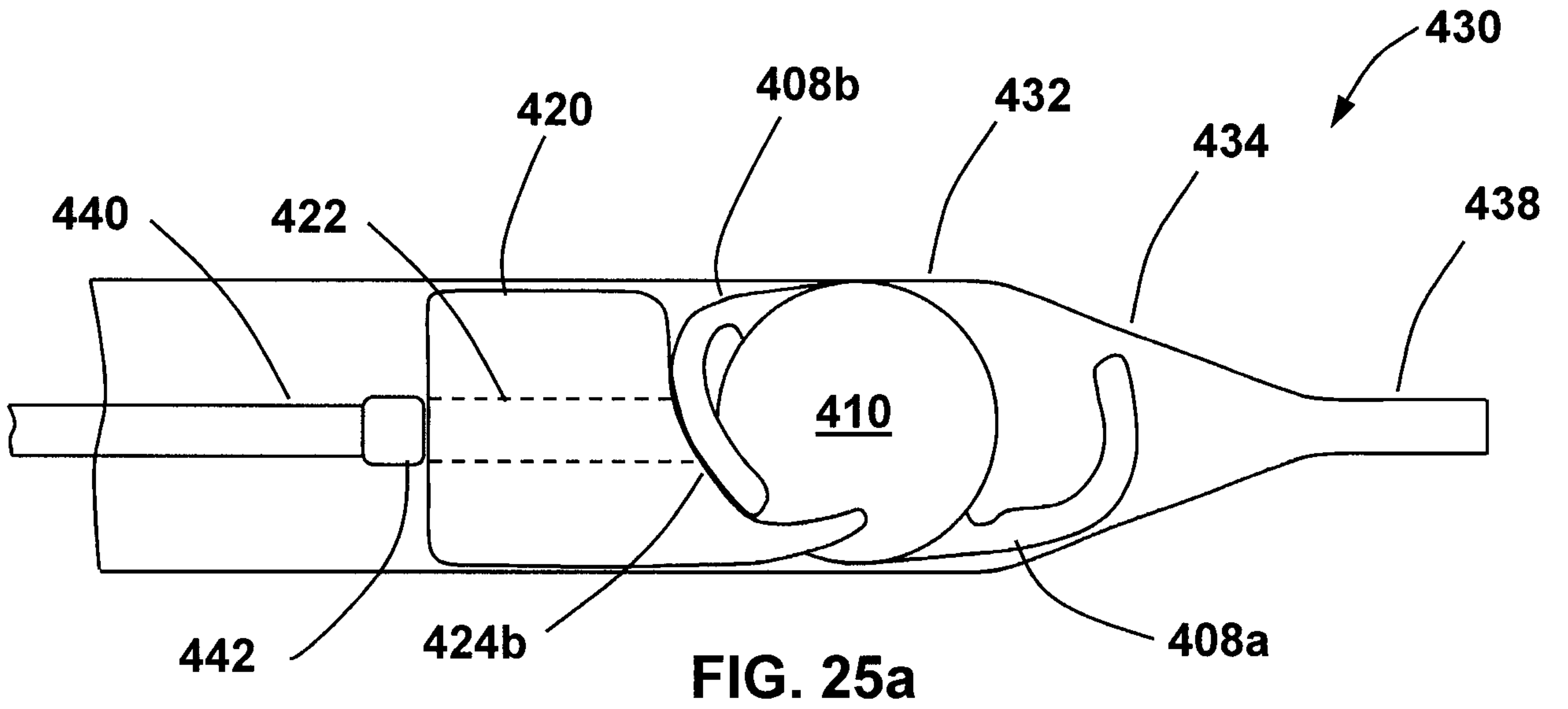


FIG. 24b





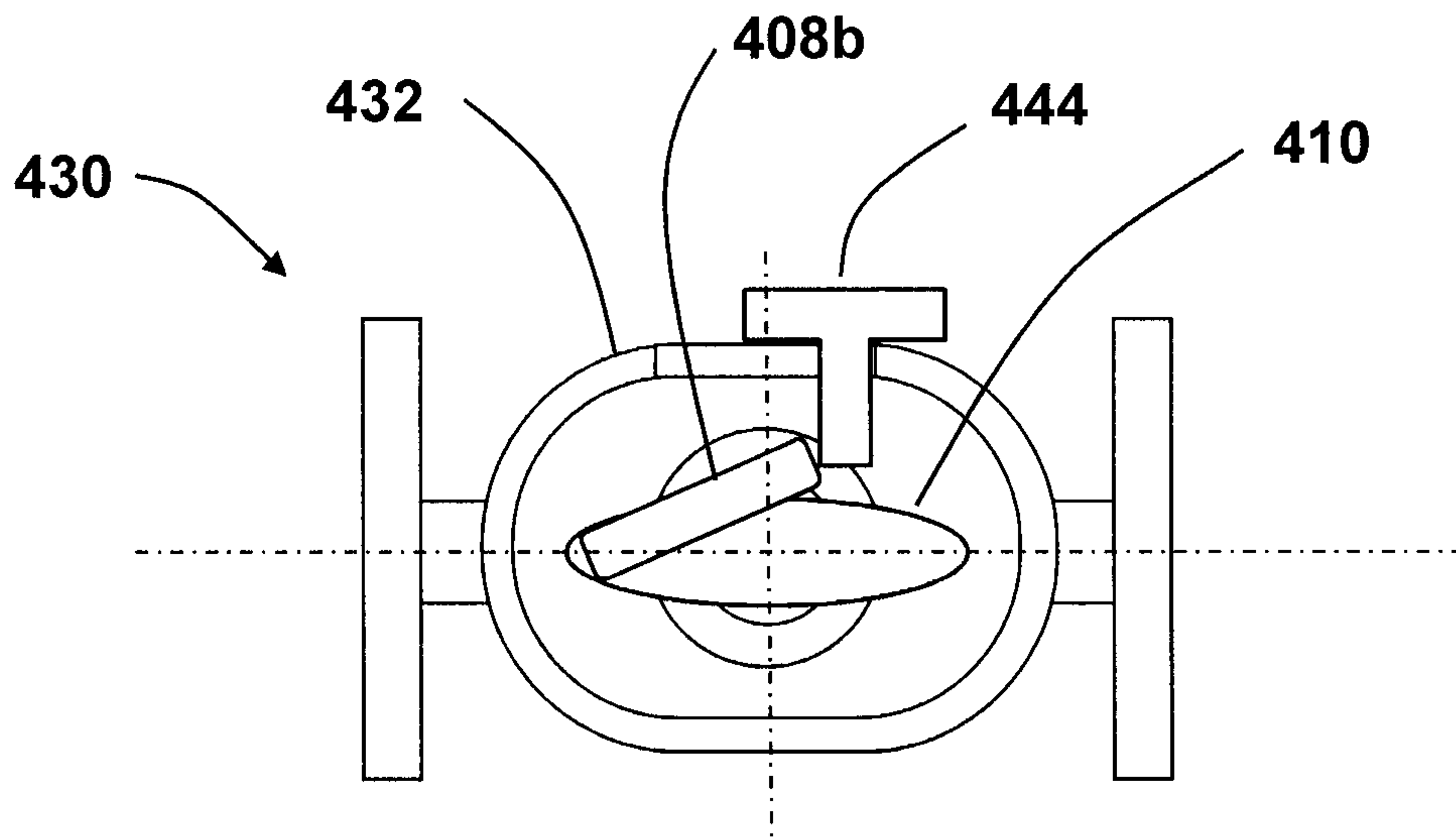


FIG. 26

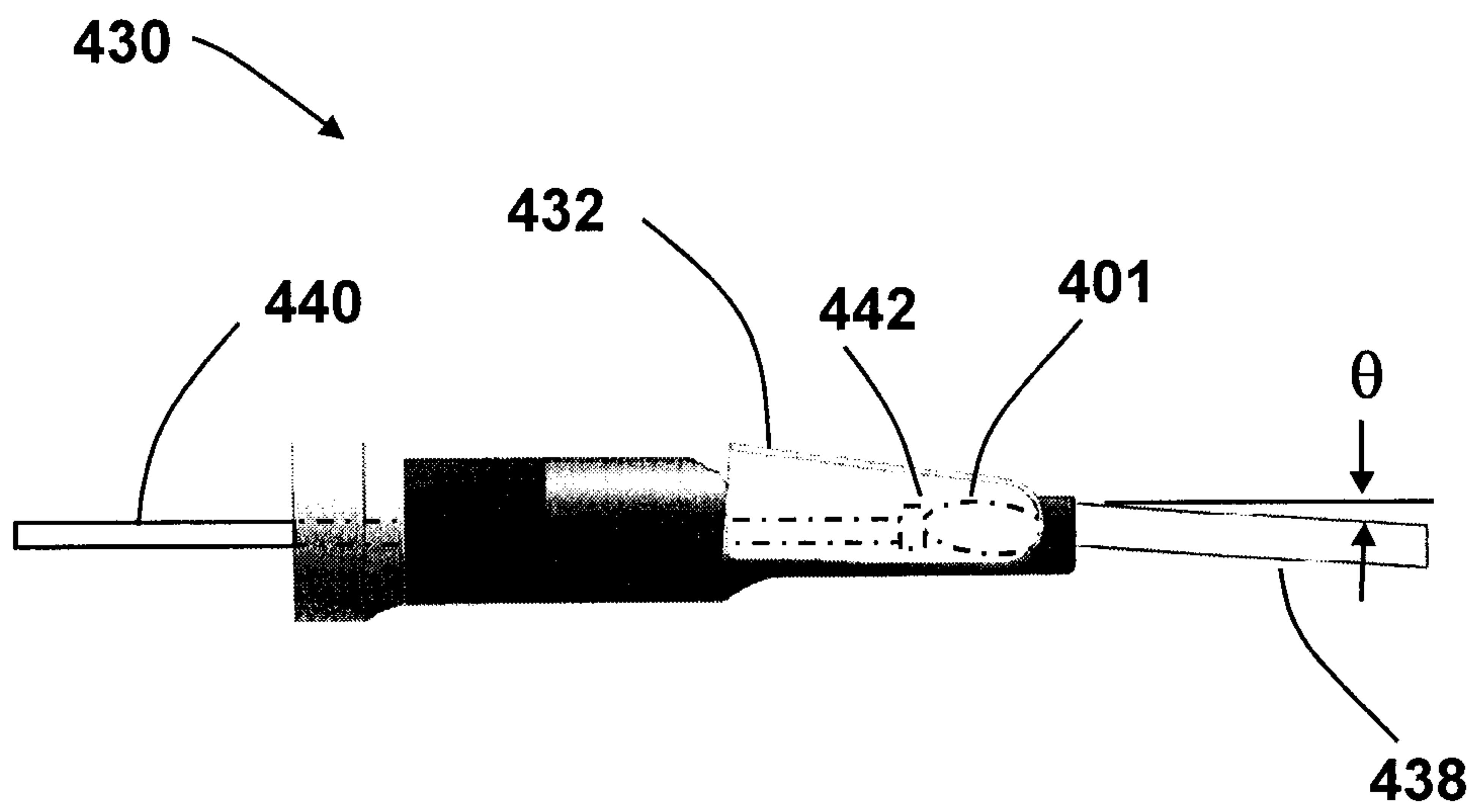
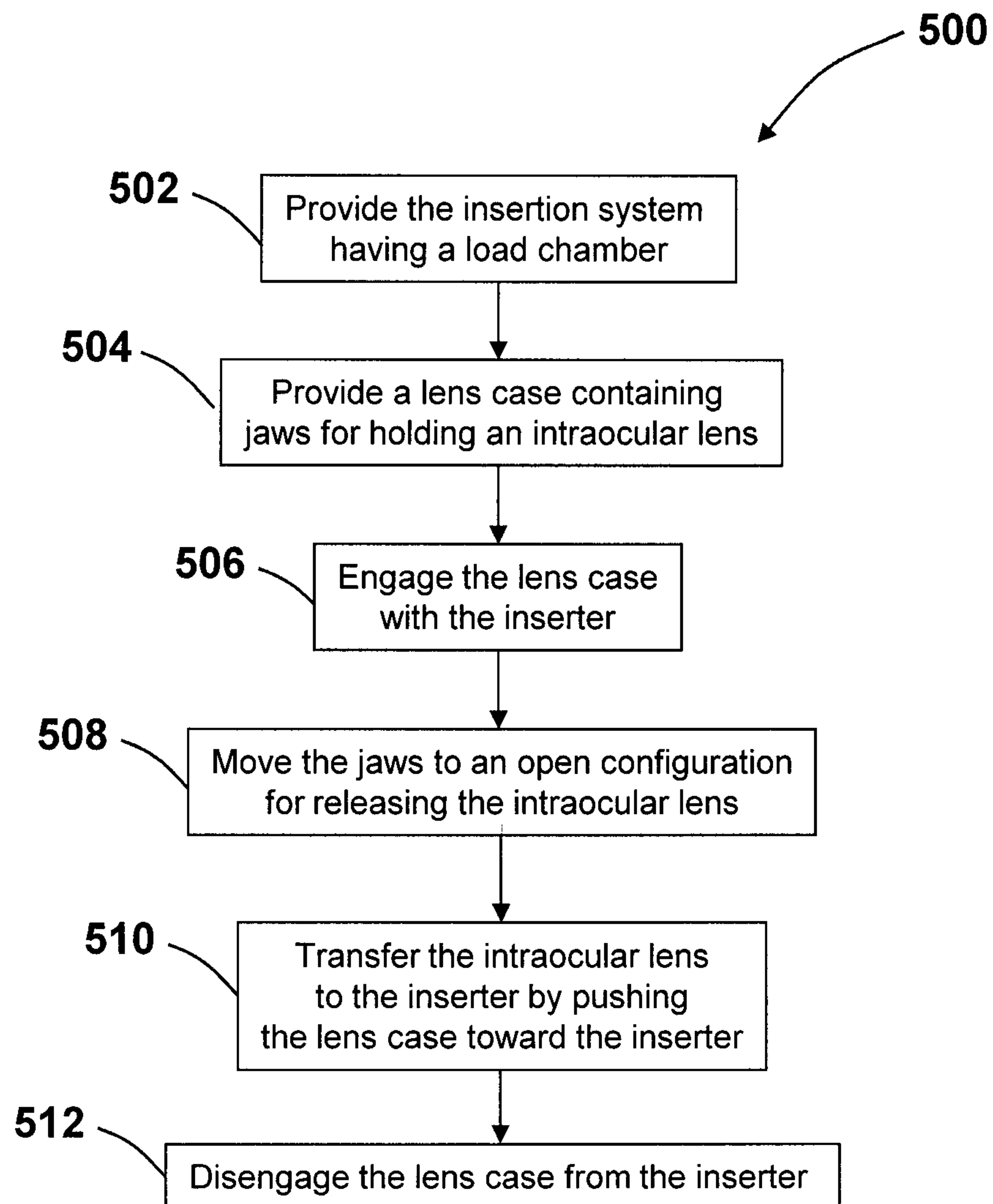


FIG. 27

**FIG. 28**



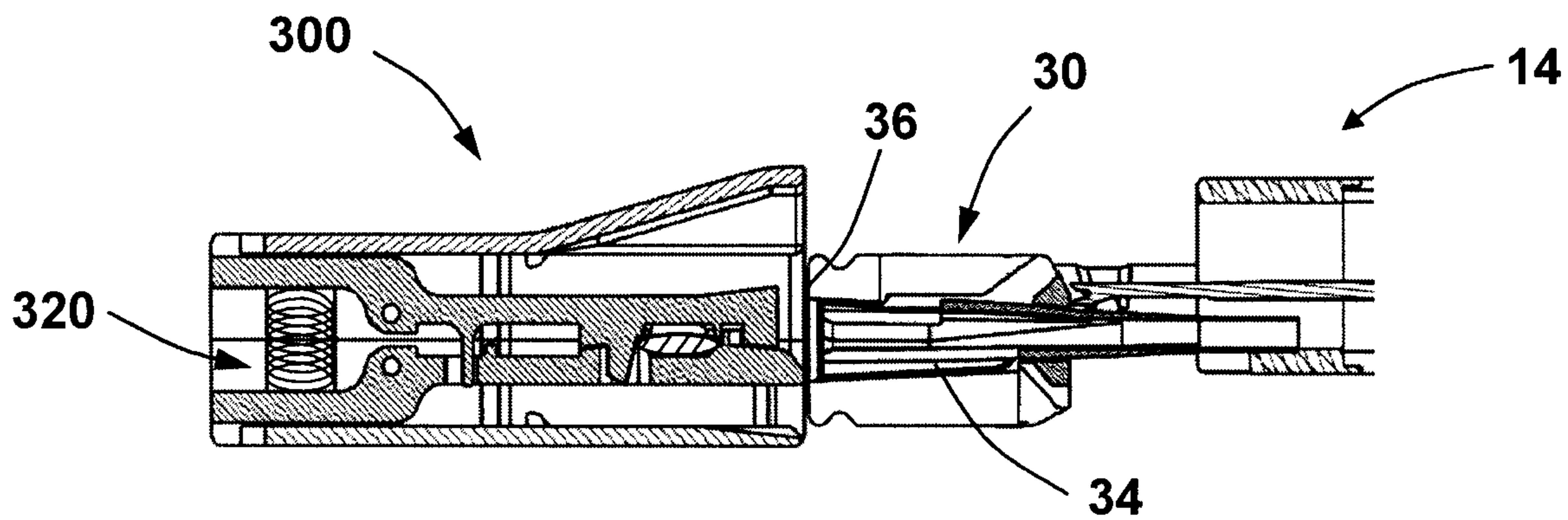


FIG. 29a

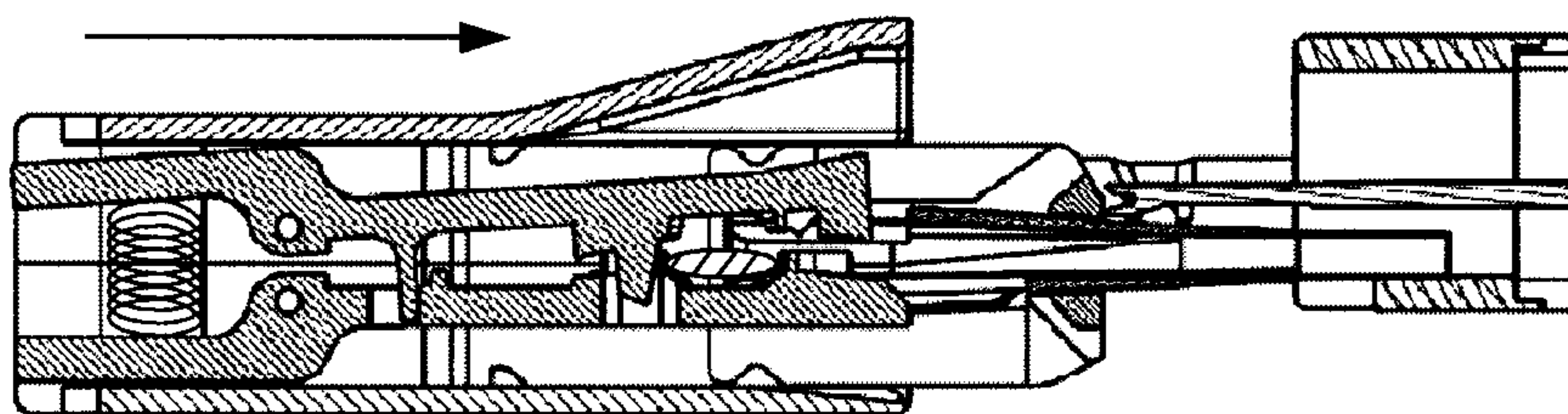


FIG. 29b

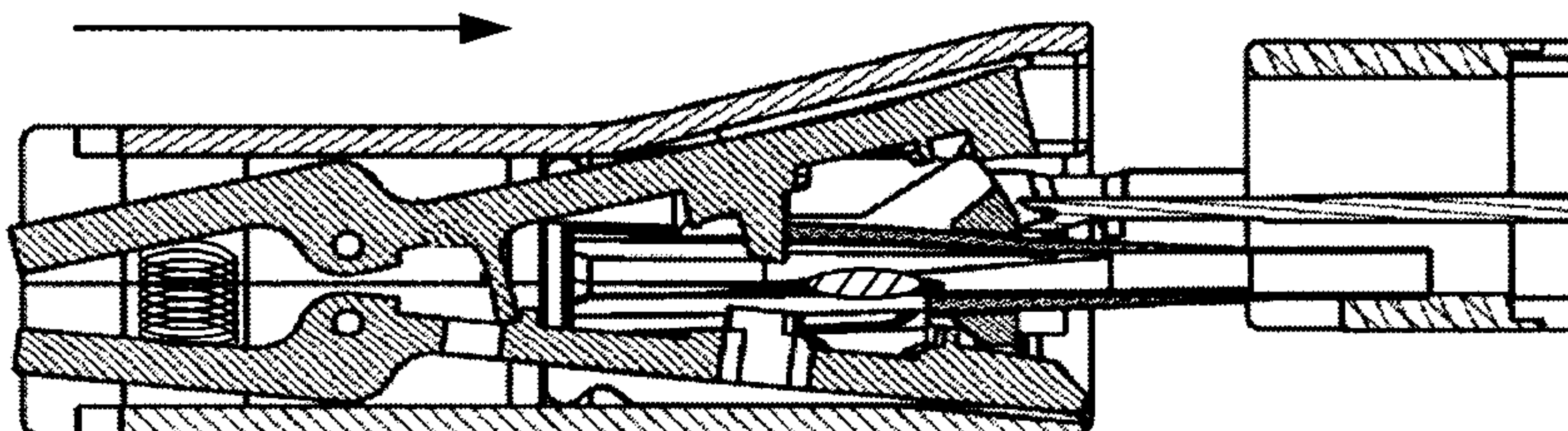


FIG. 29c

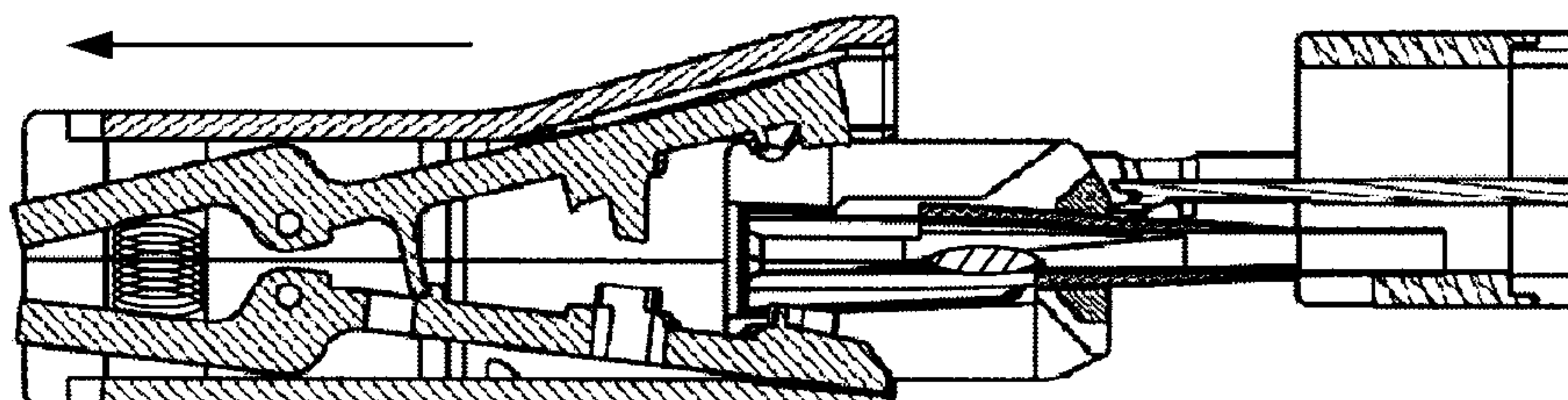
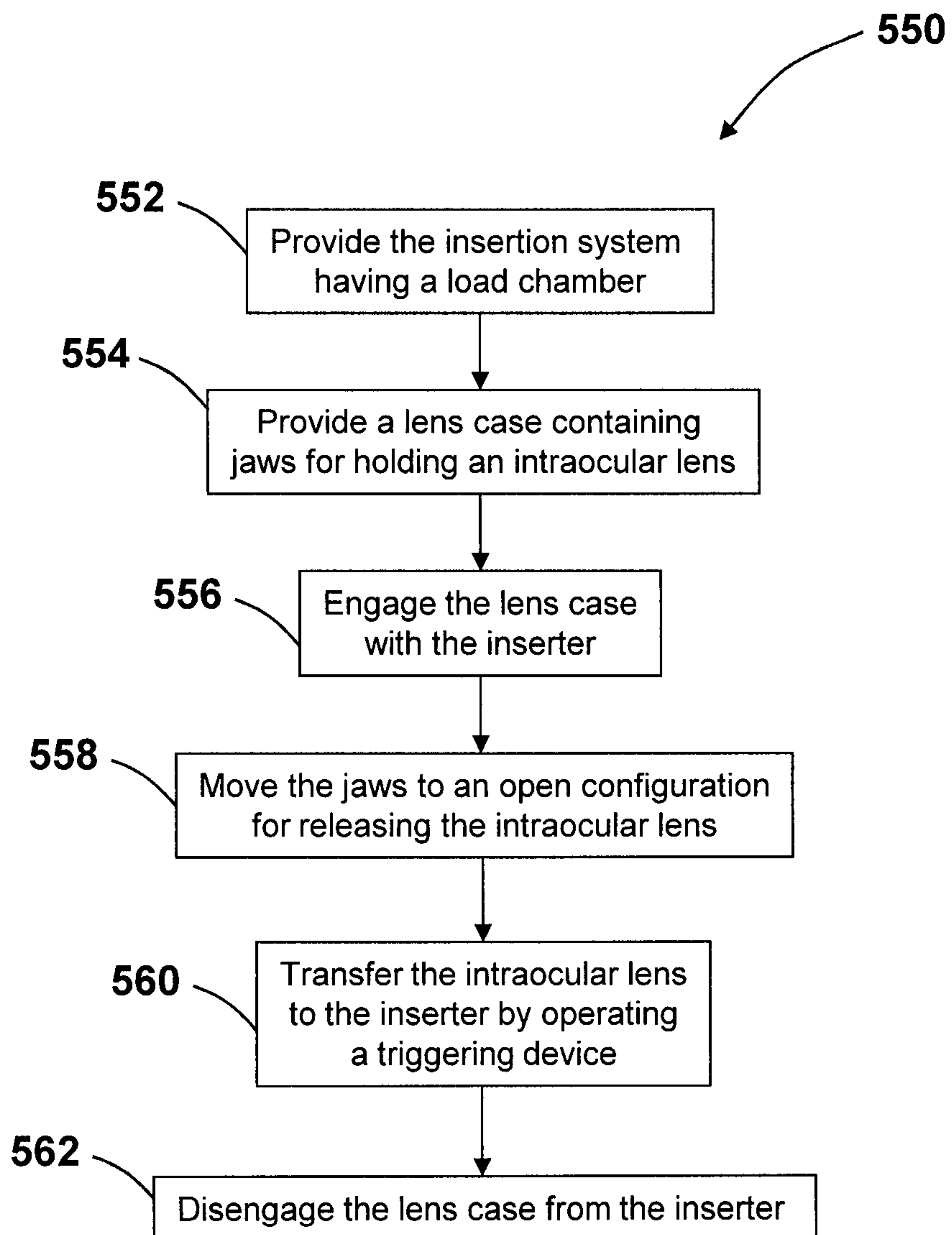
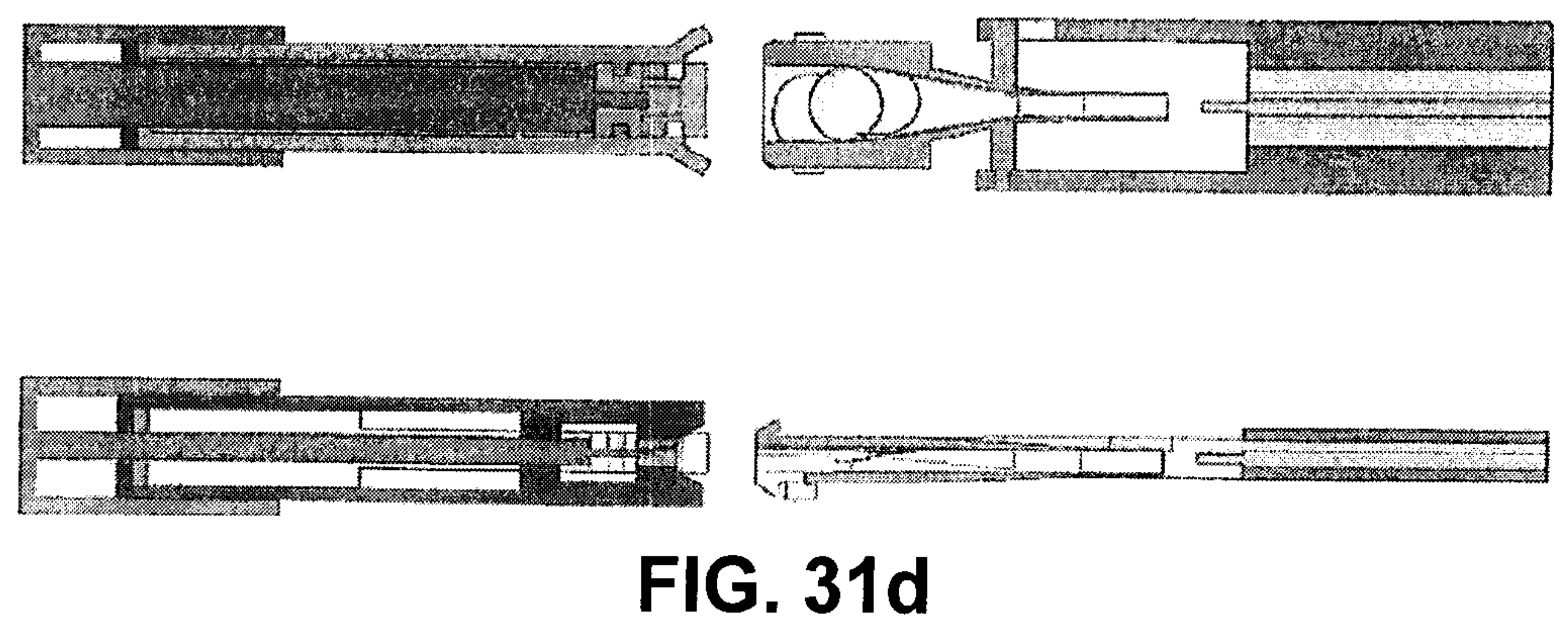
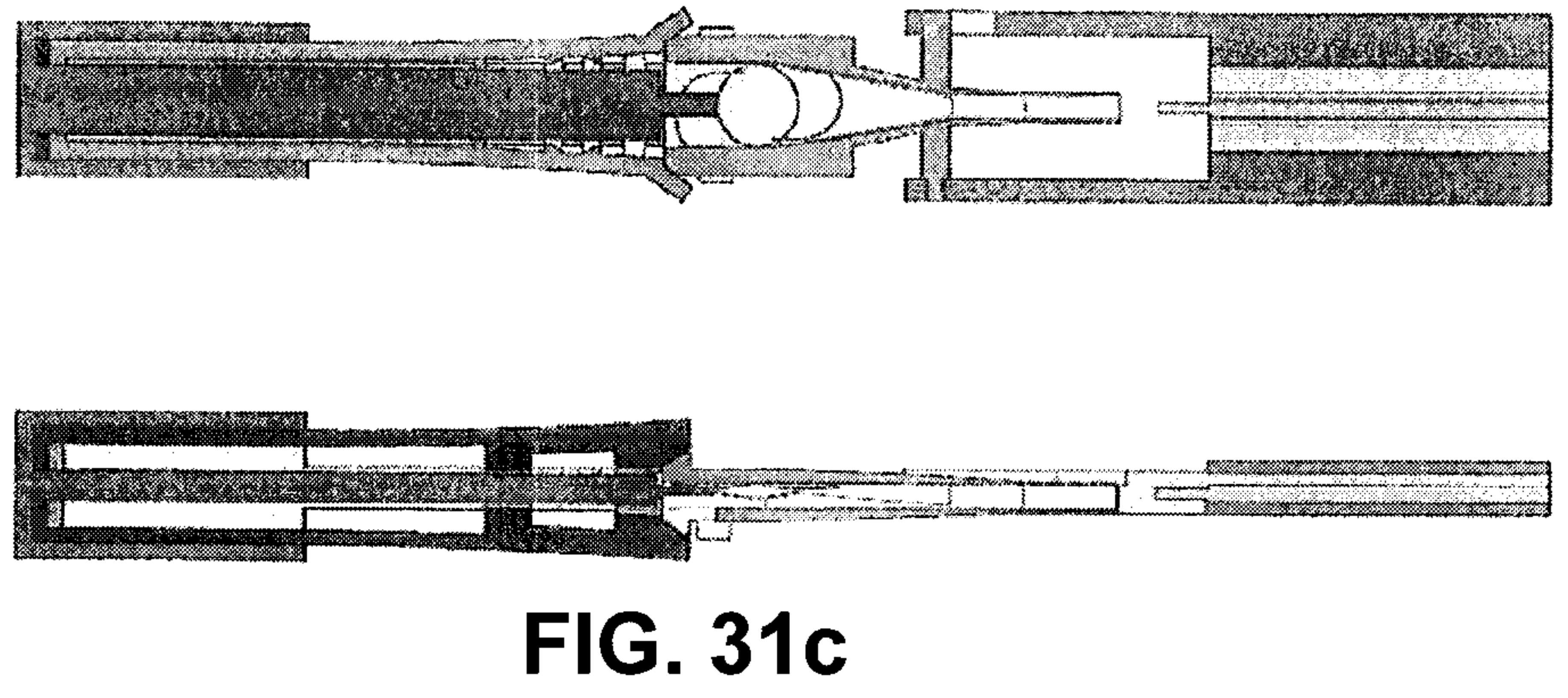
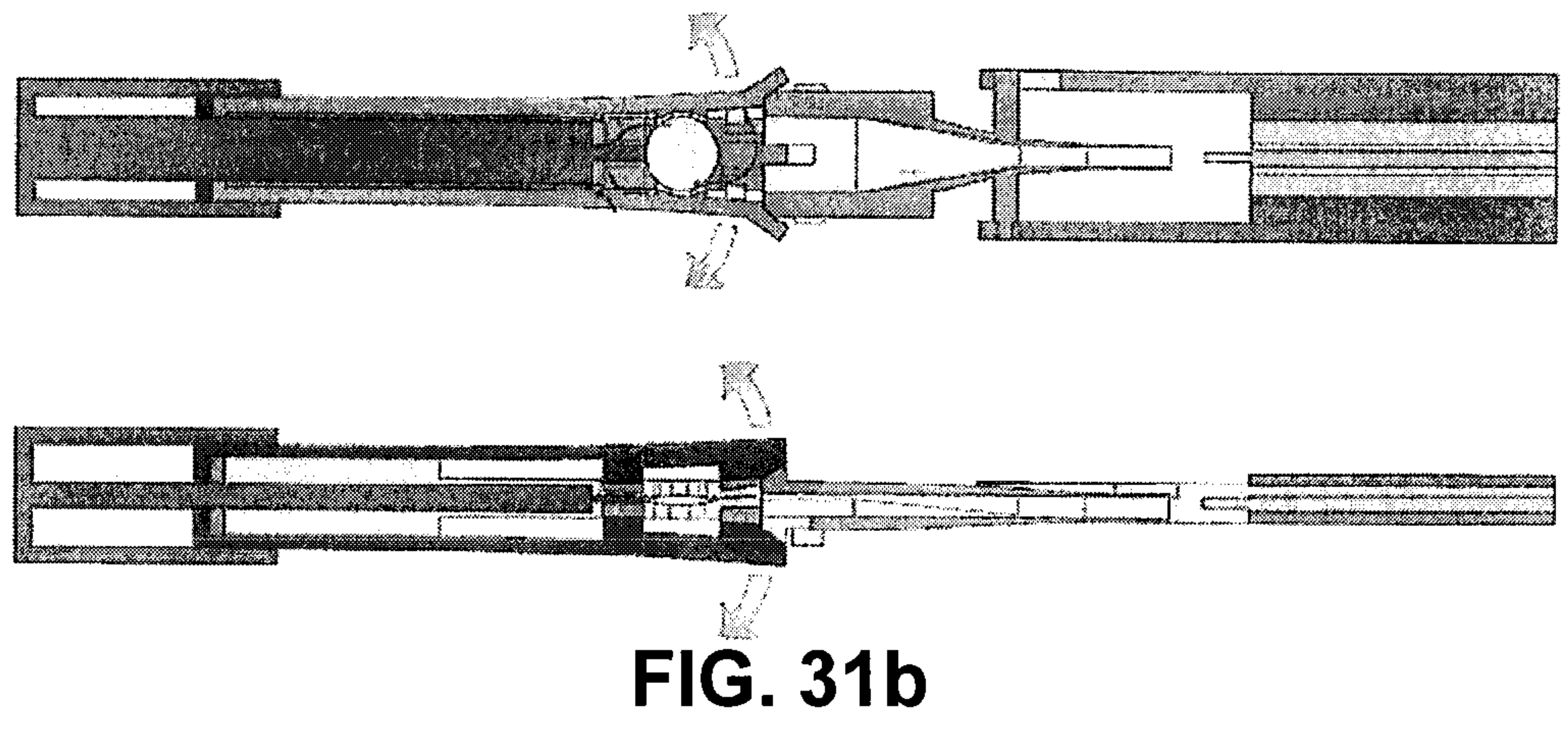
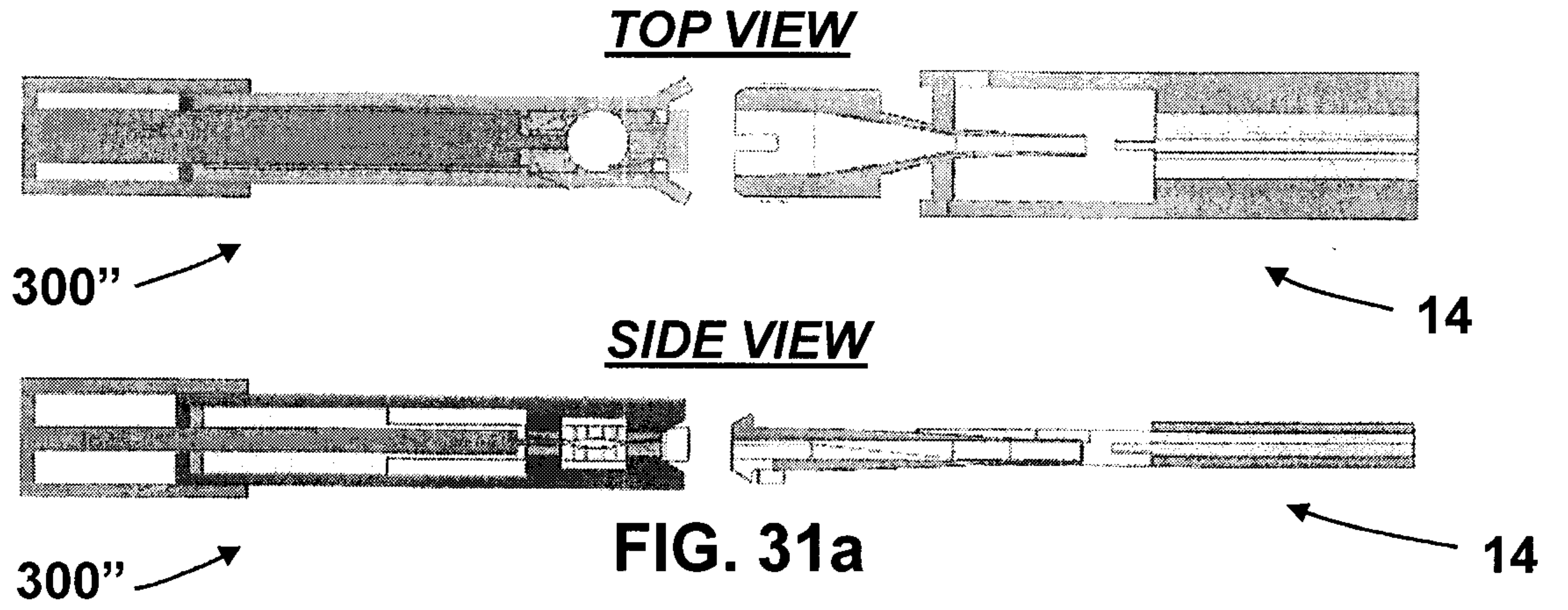


FIG. 29d



**FIG. 30**







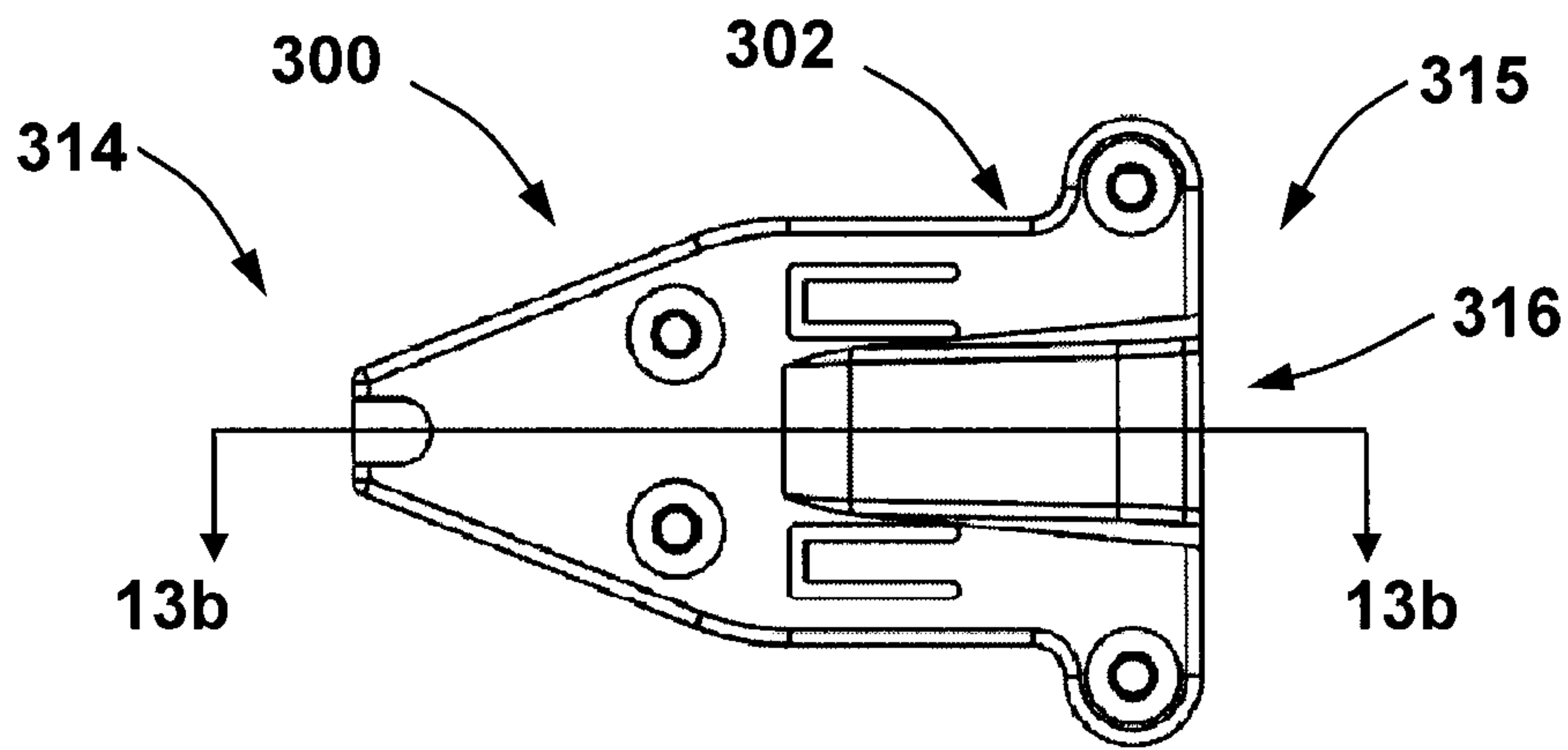


FIG. 13a

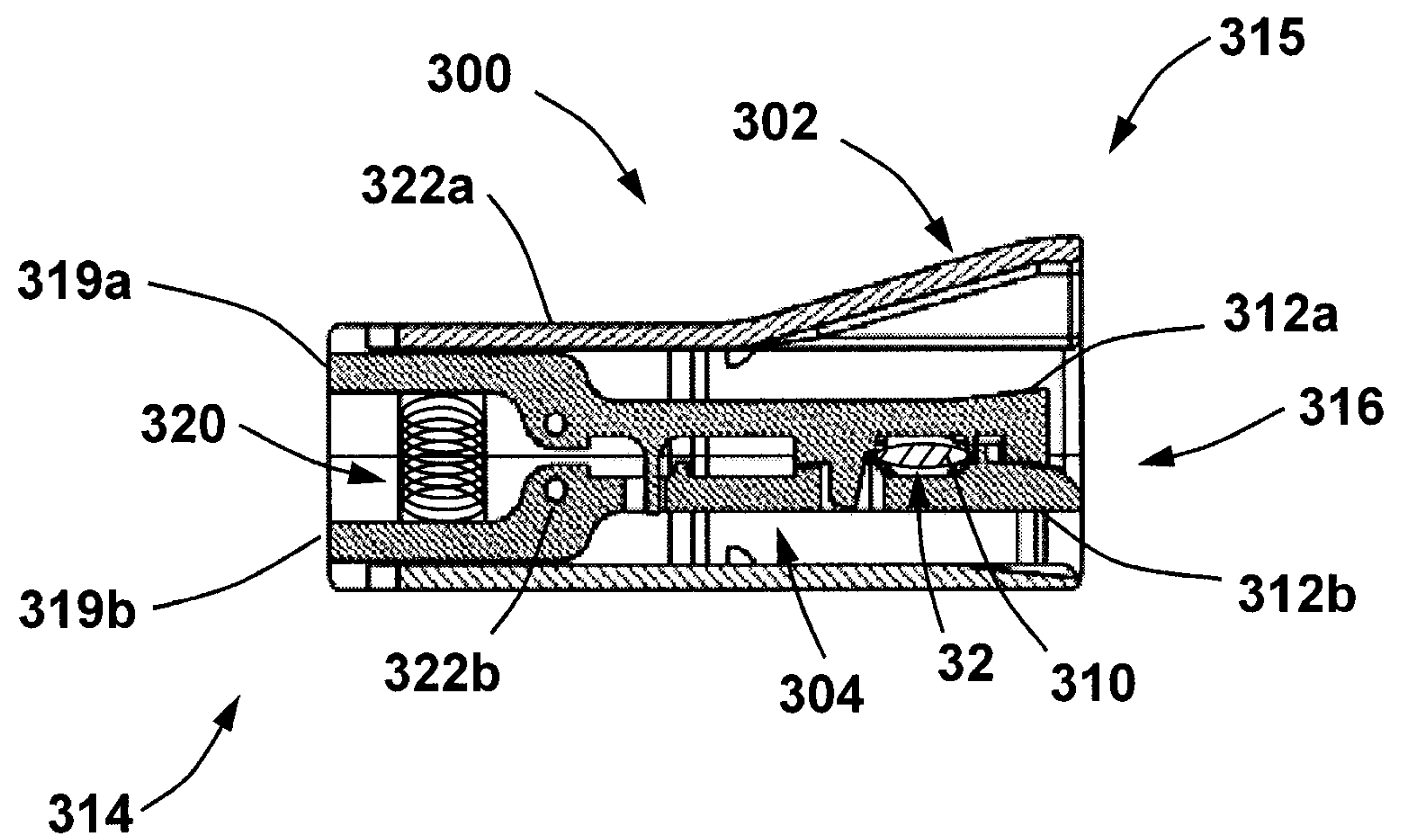


FIG. 13b

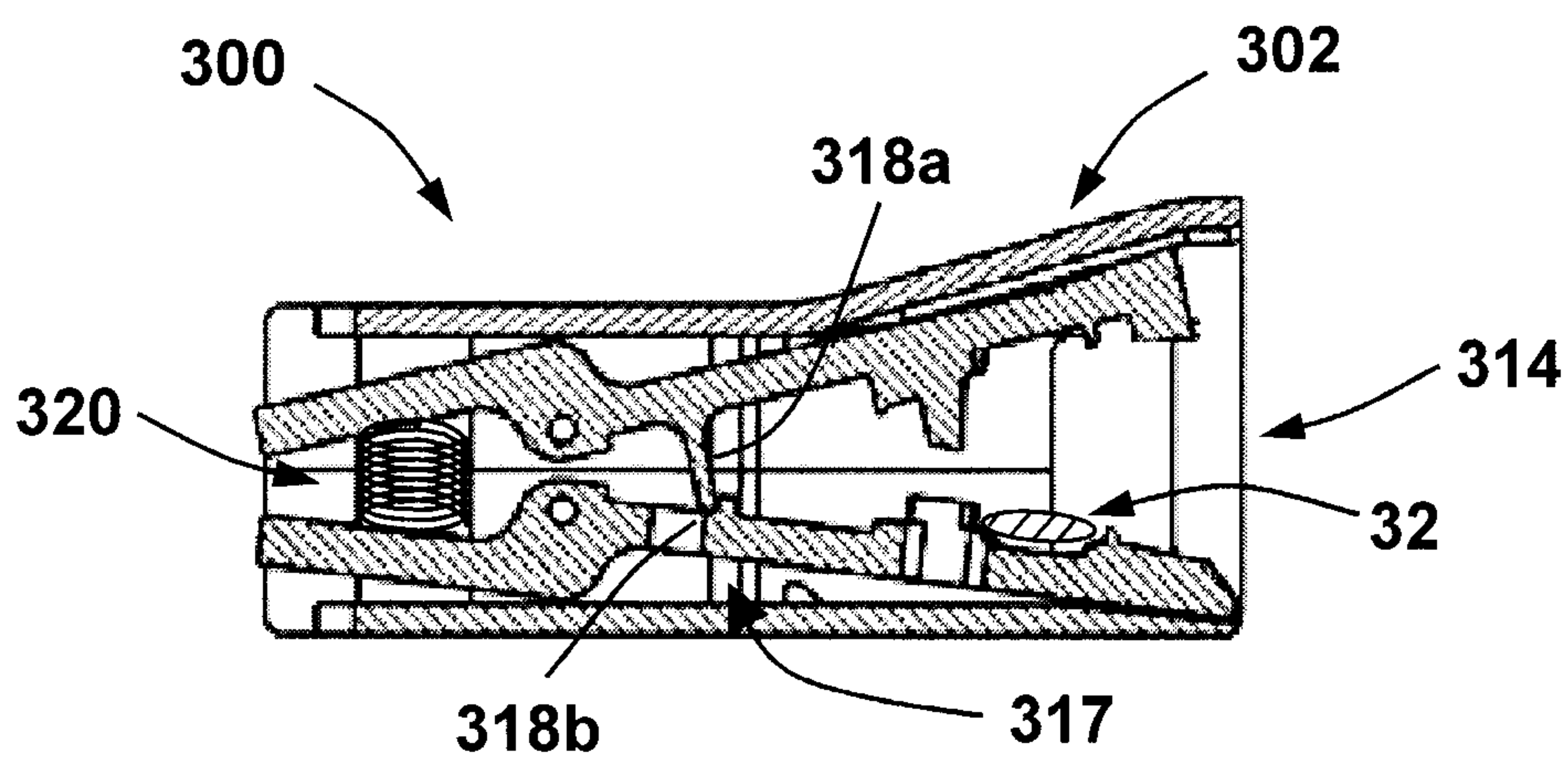


FIG. 13c



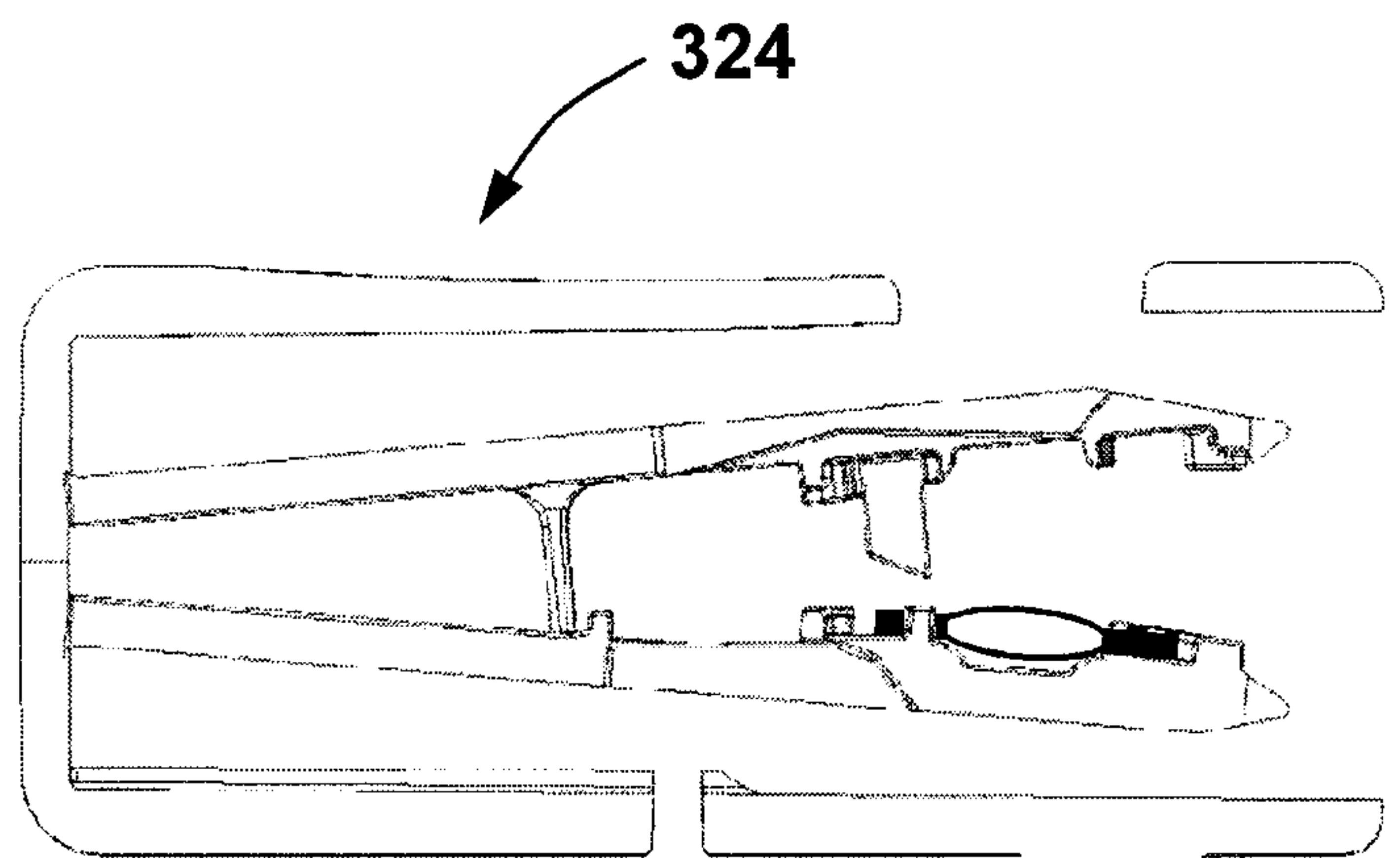
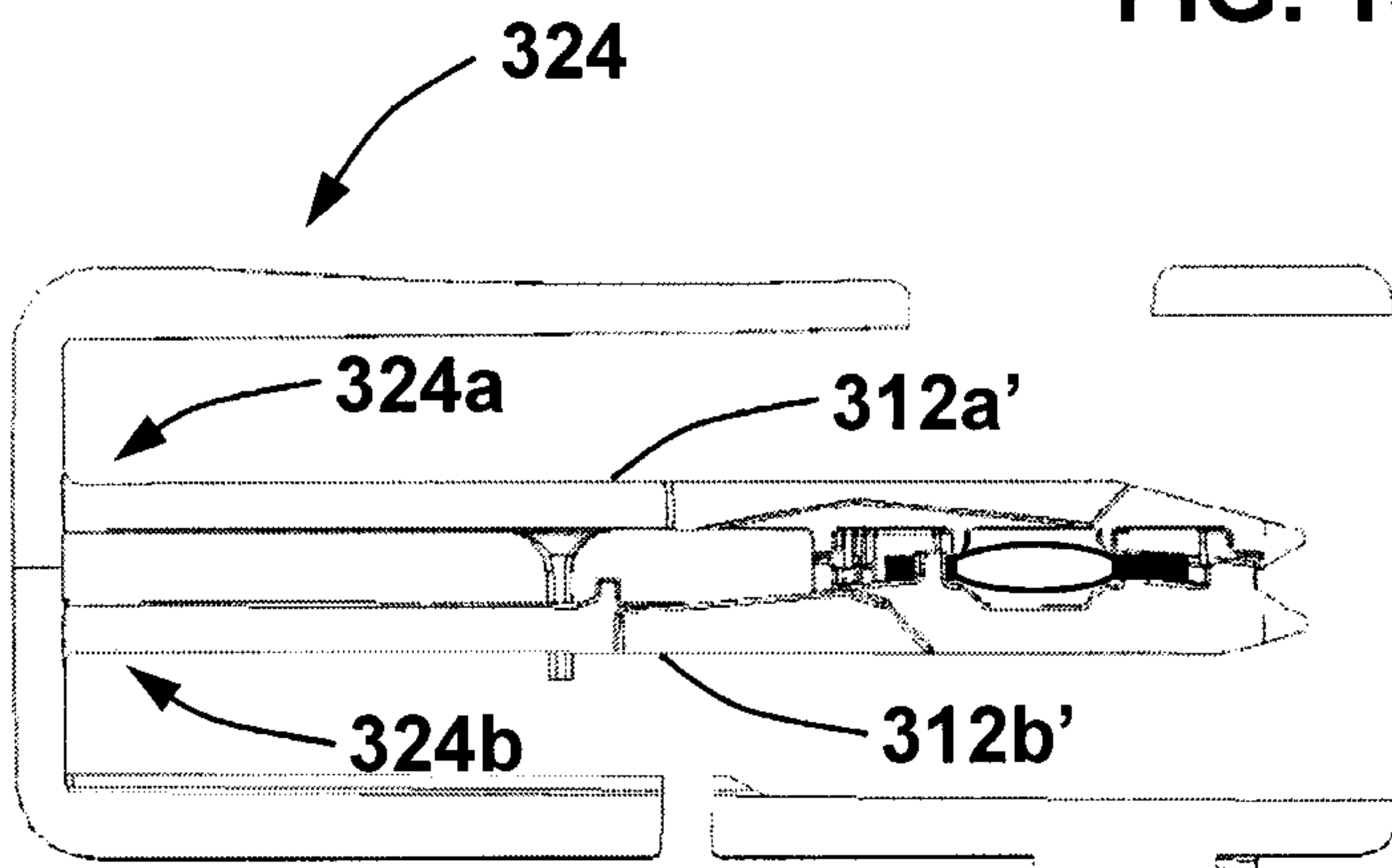
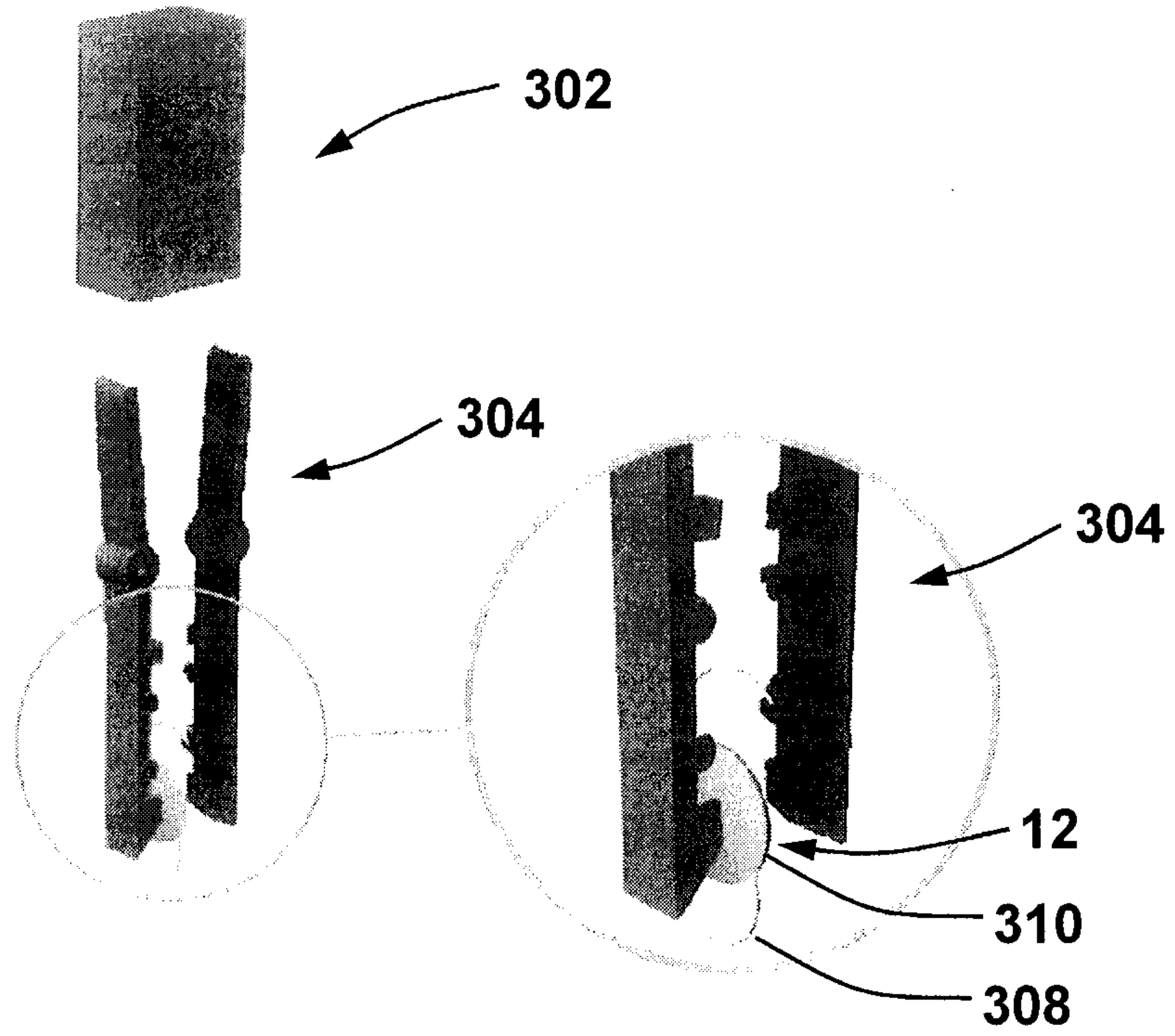


FIG. 14b

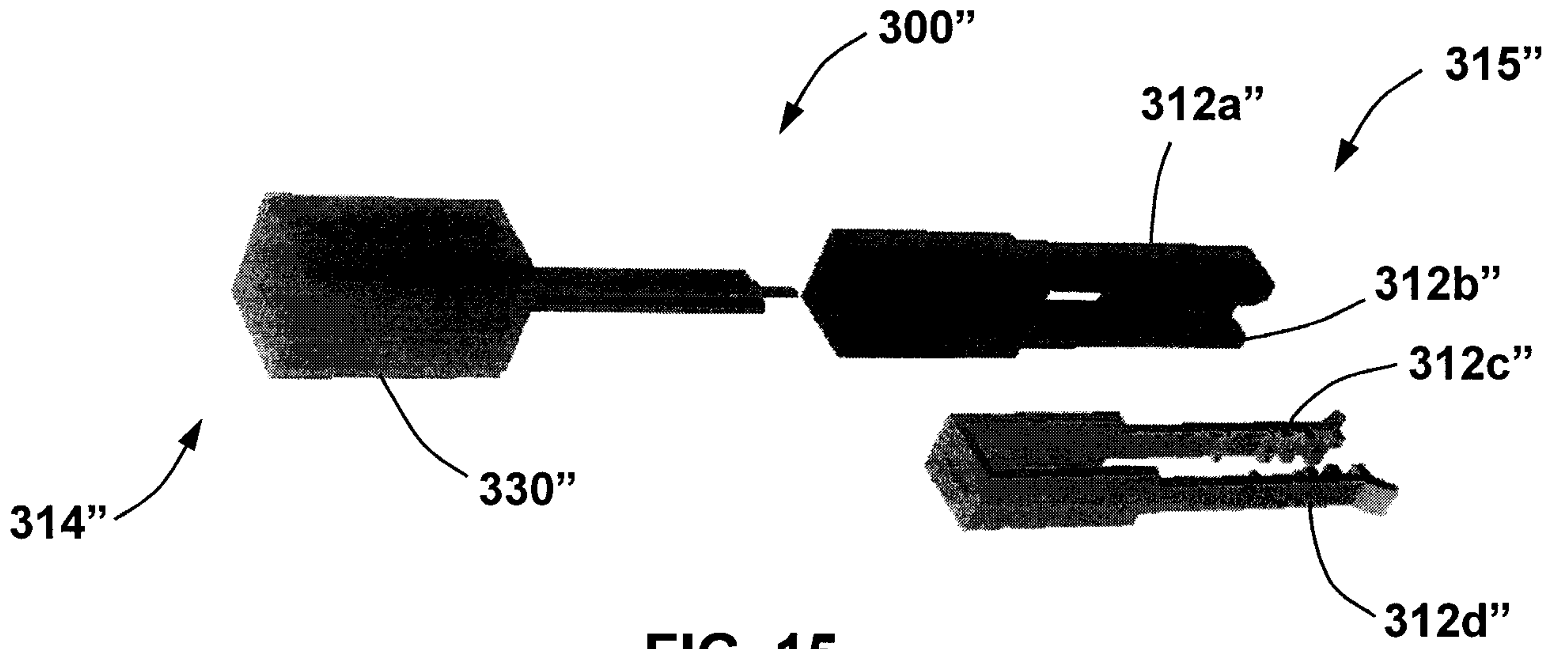


FIG. 15

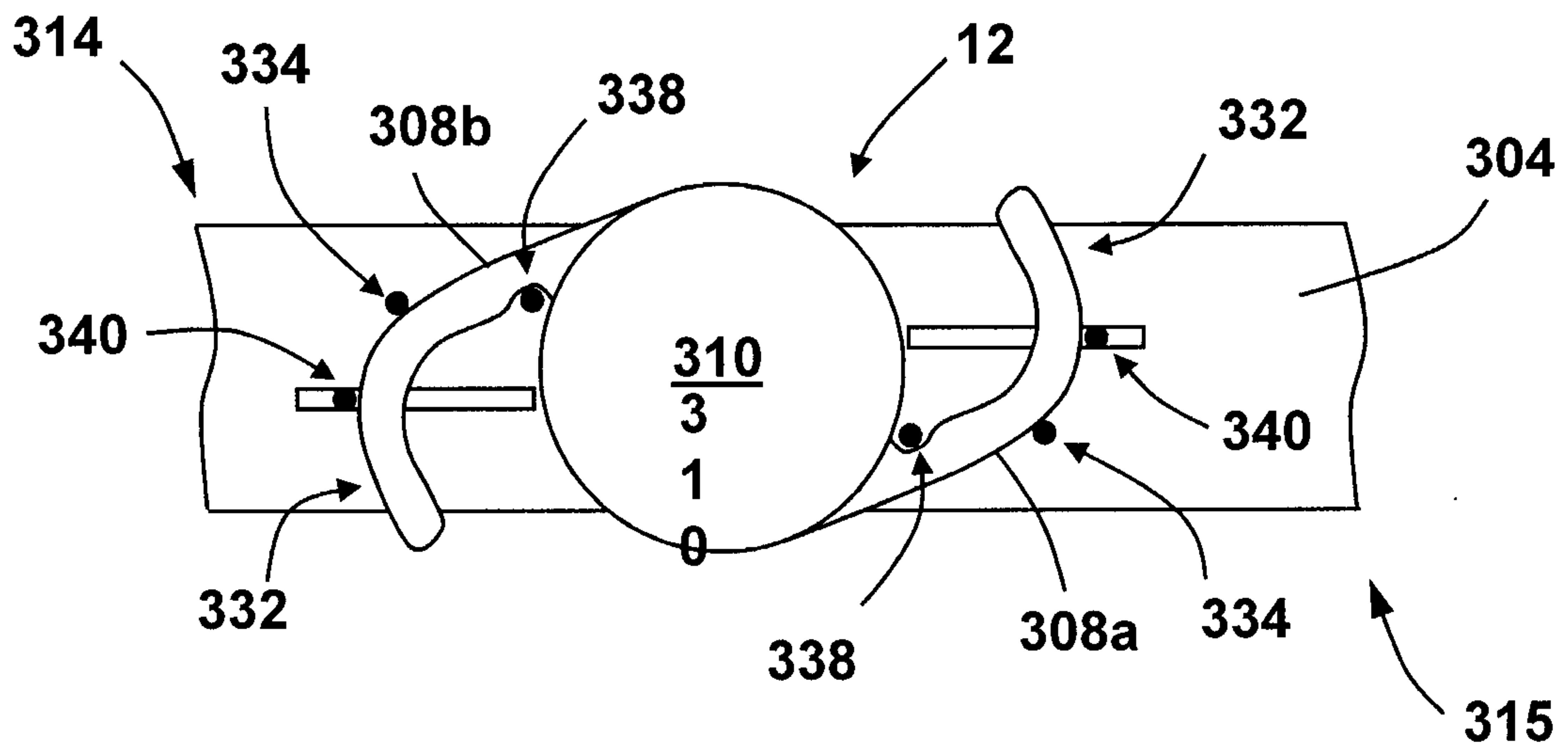


FIG. 16a

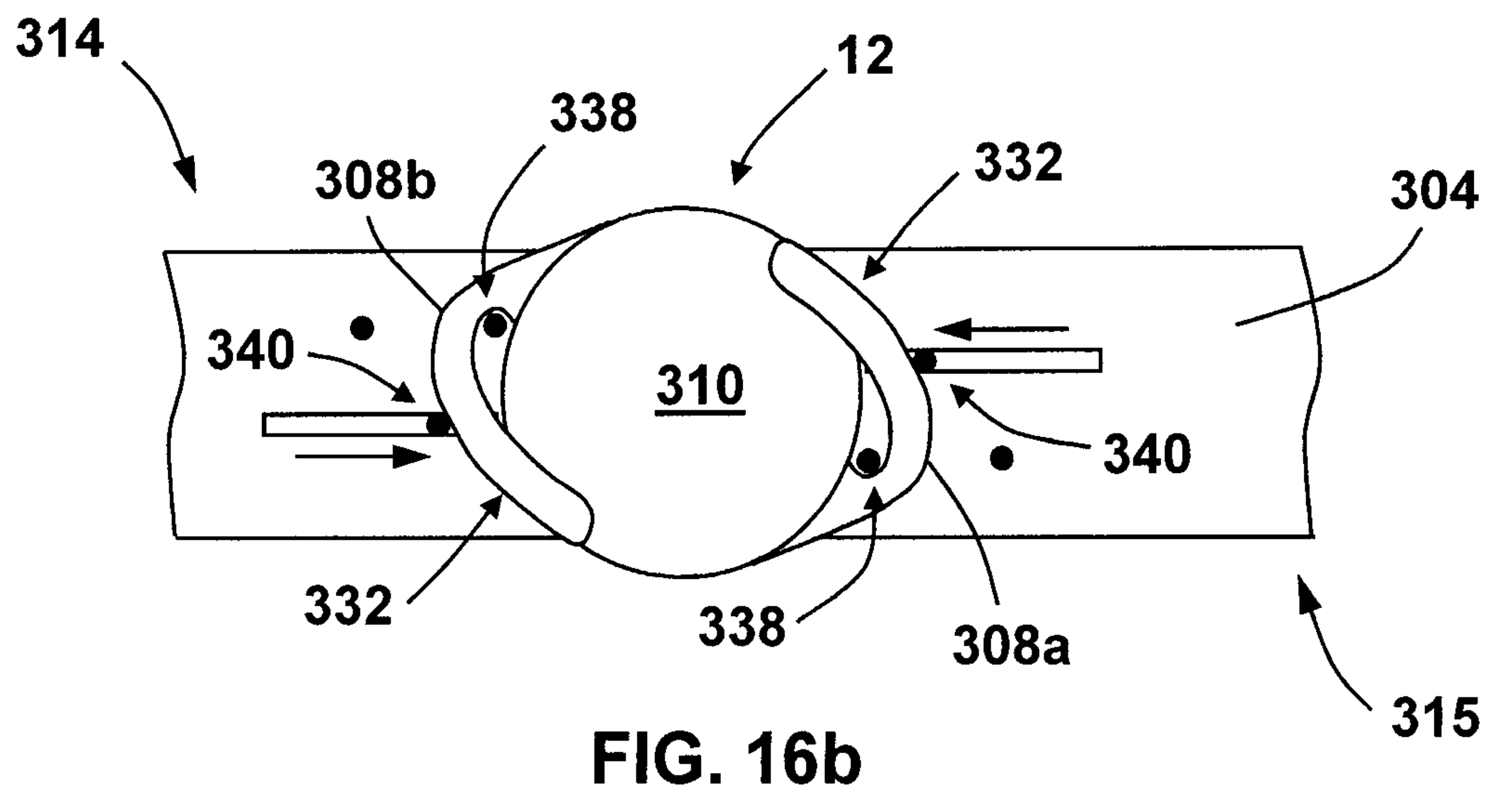
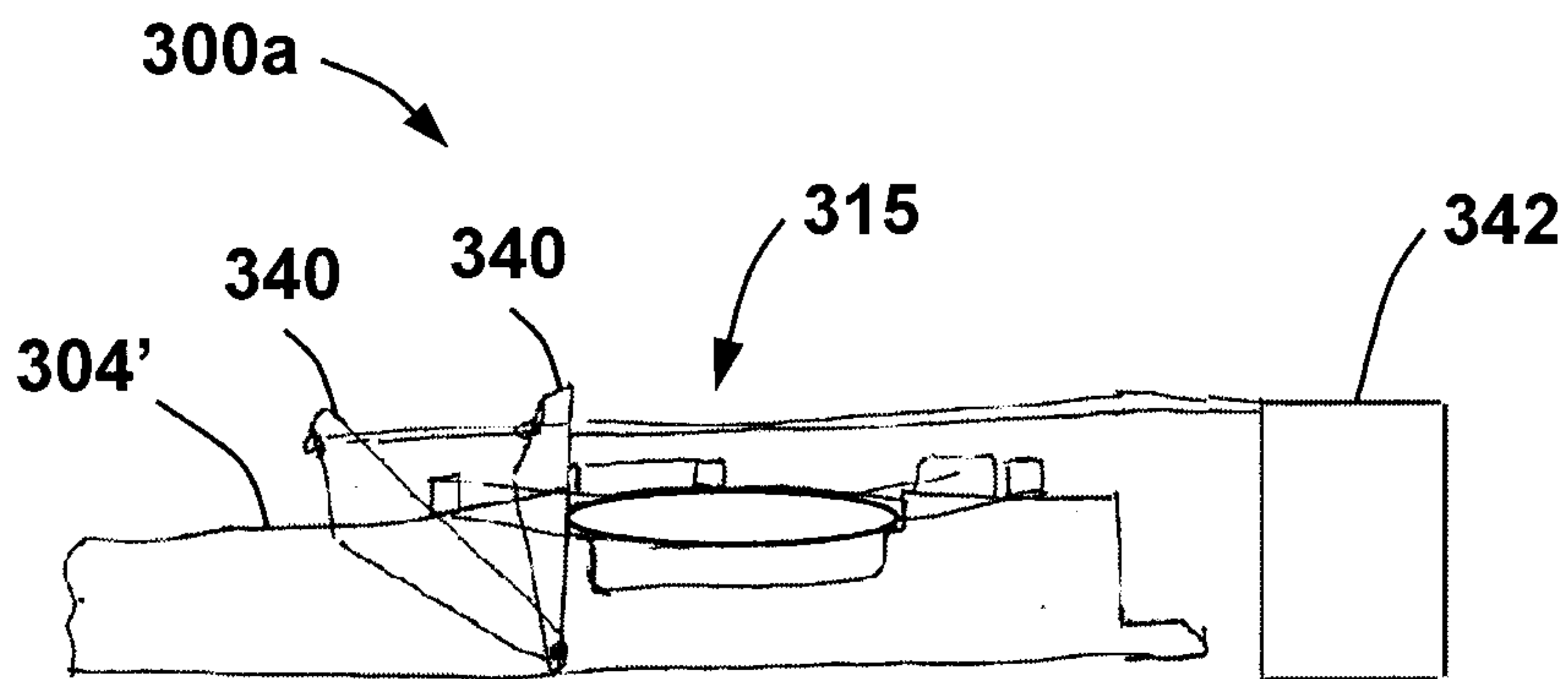
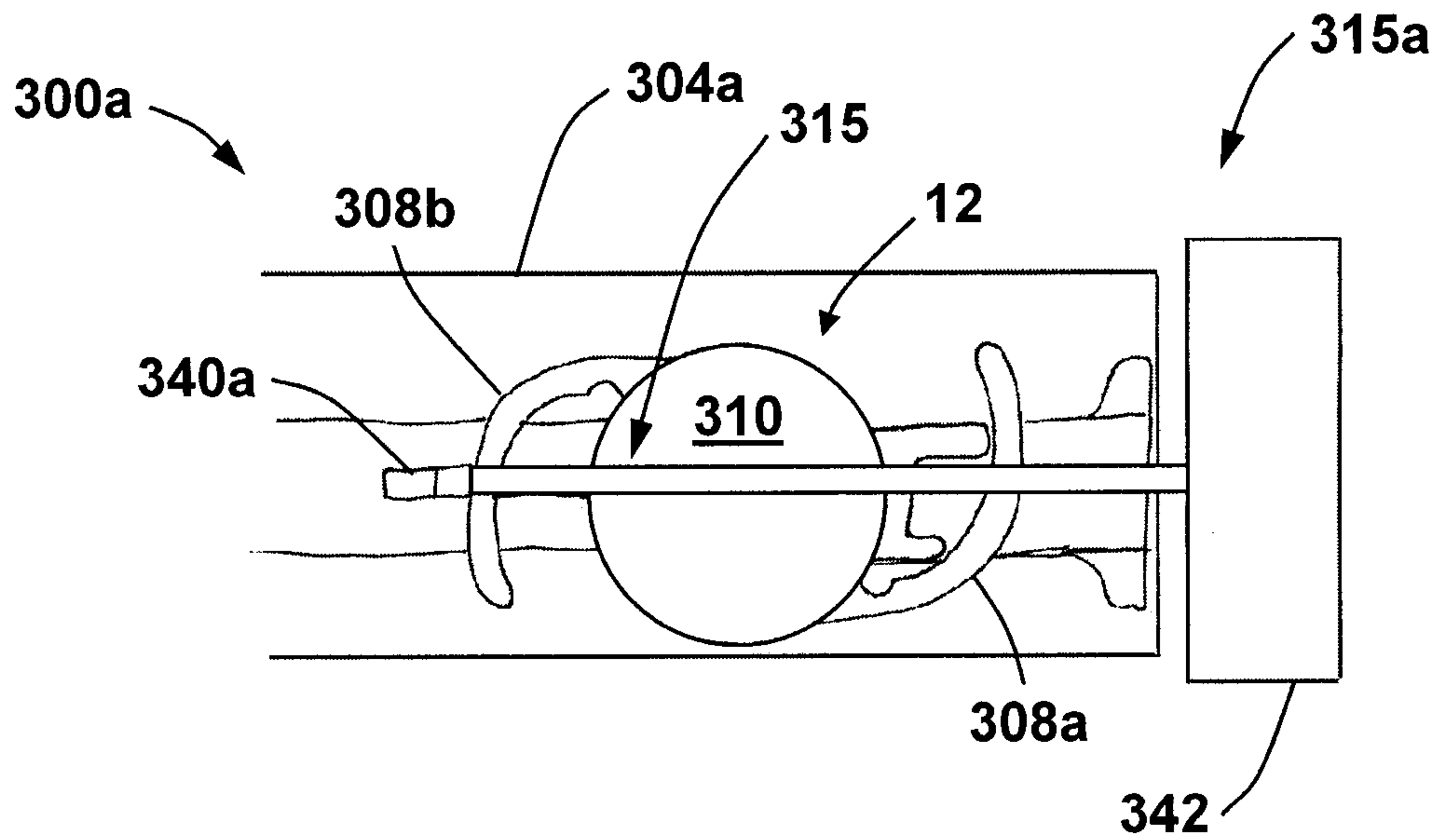
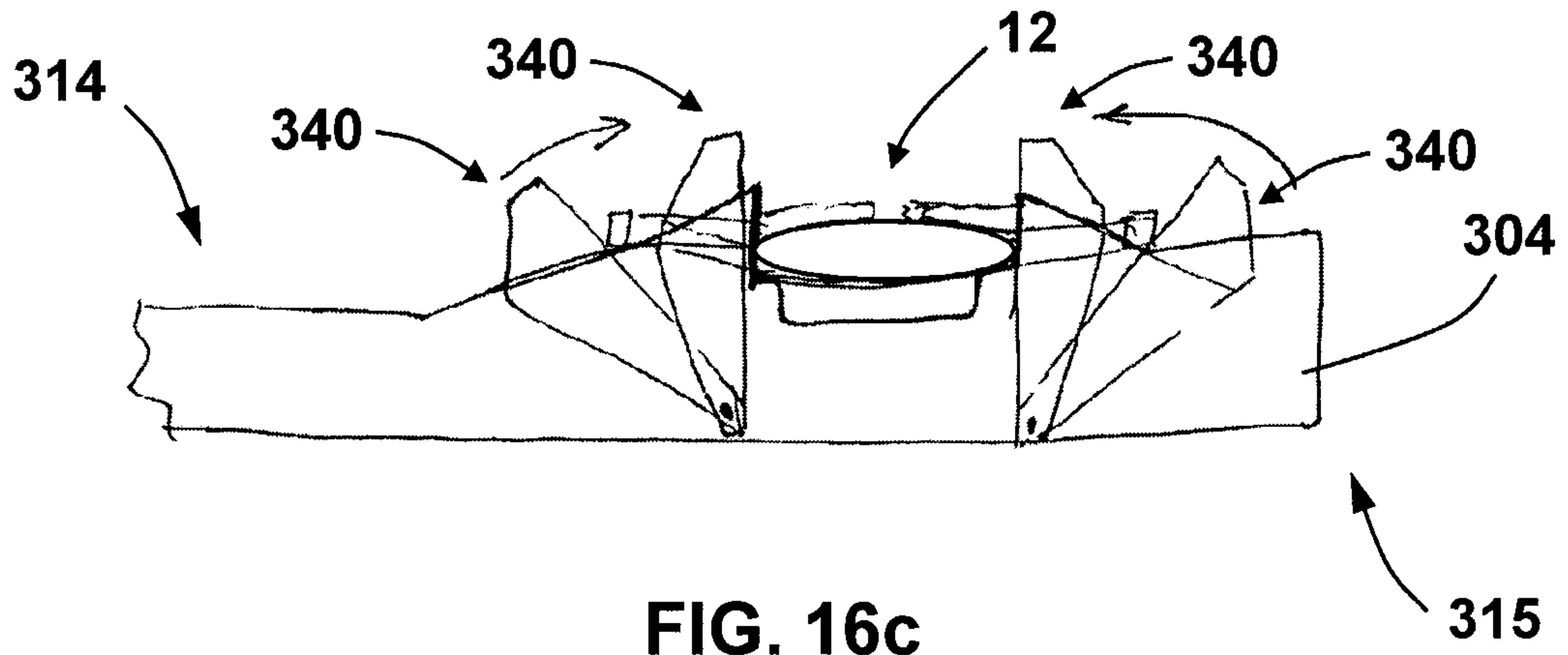


FIG. 16b





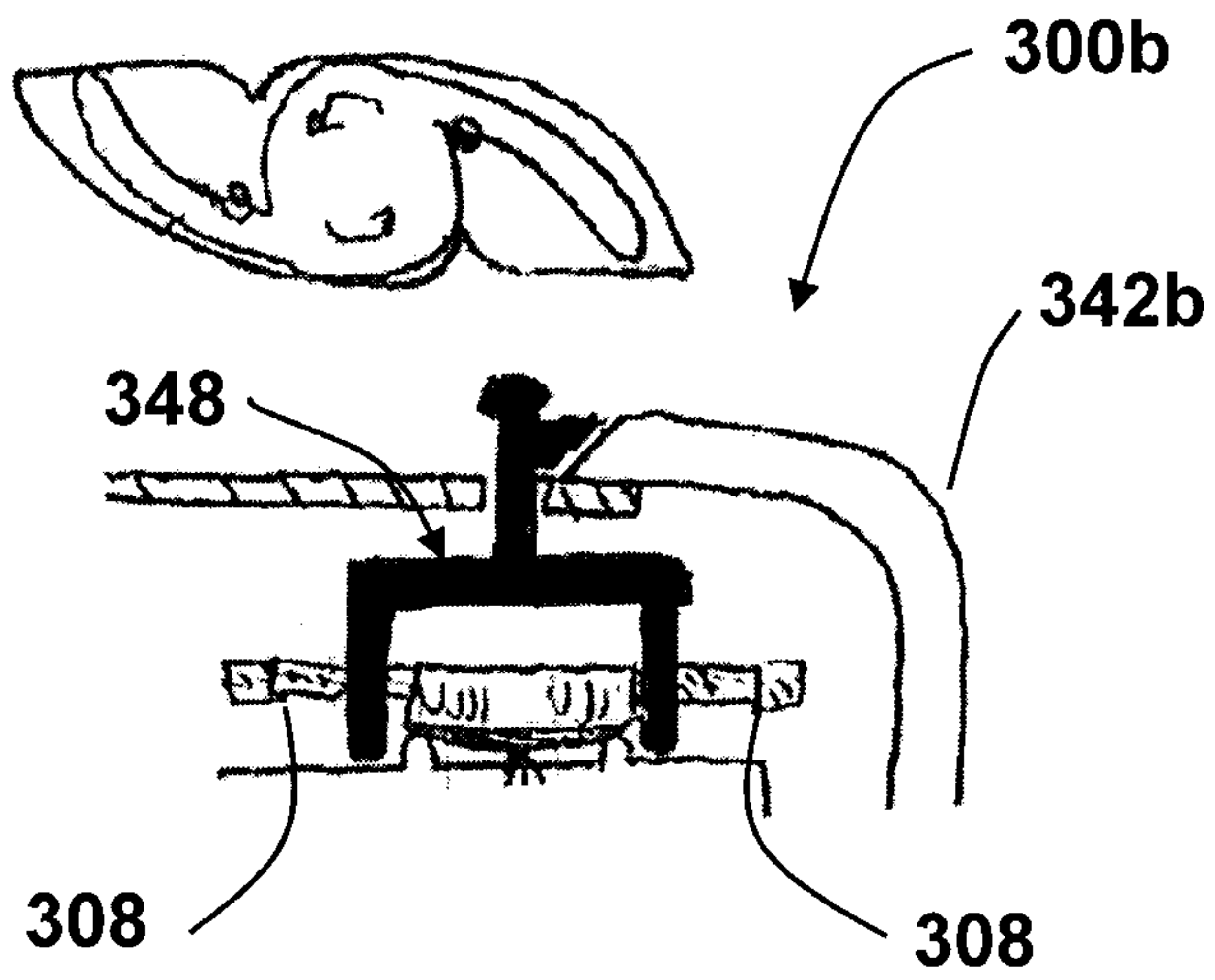


FIG. 18a

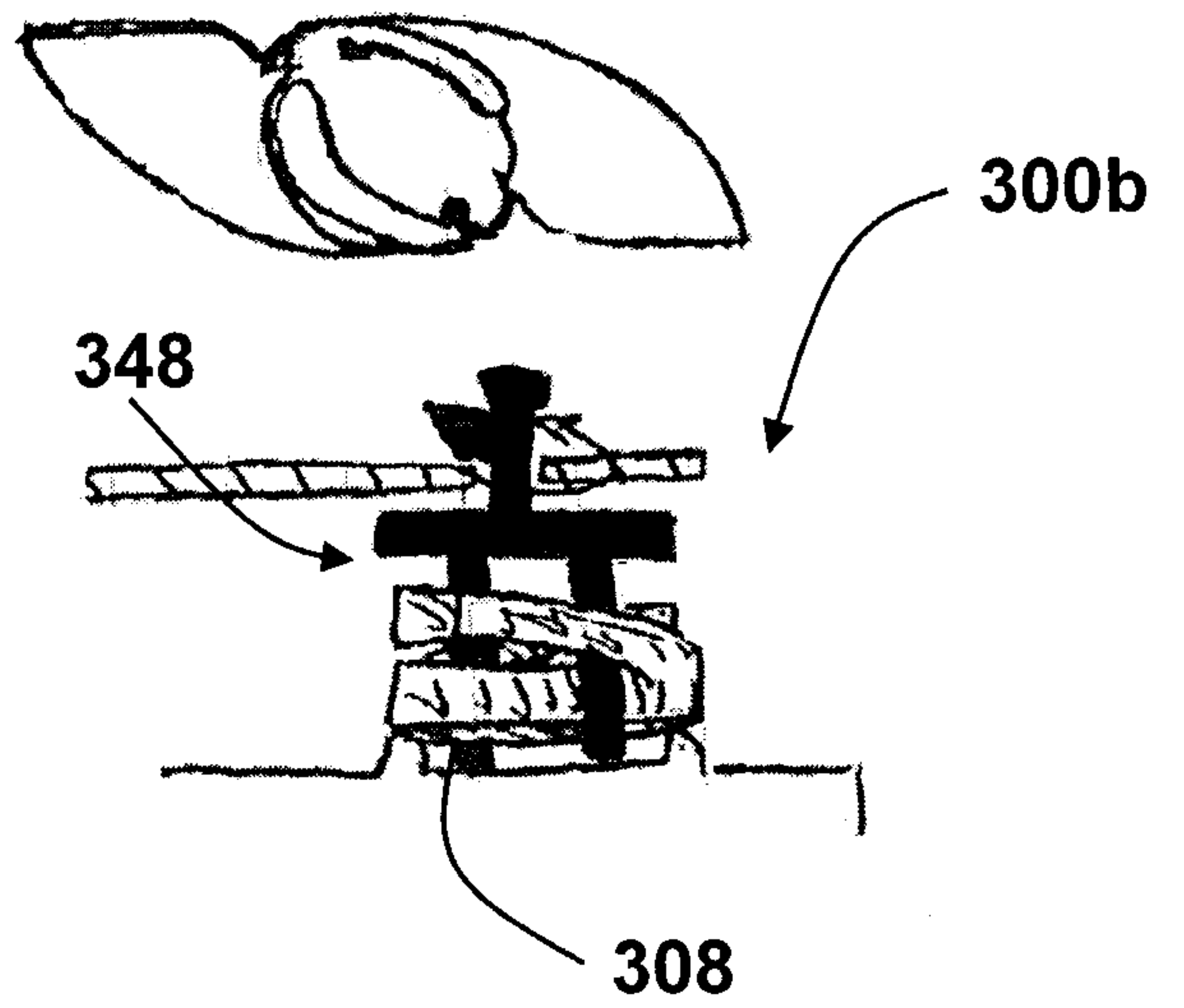


FIG. 18b

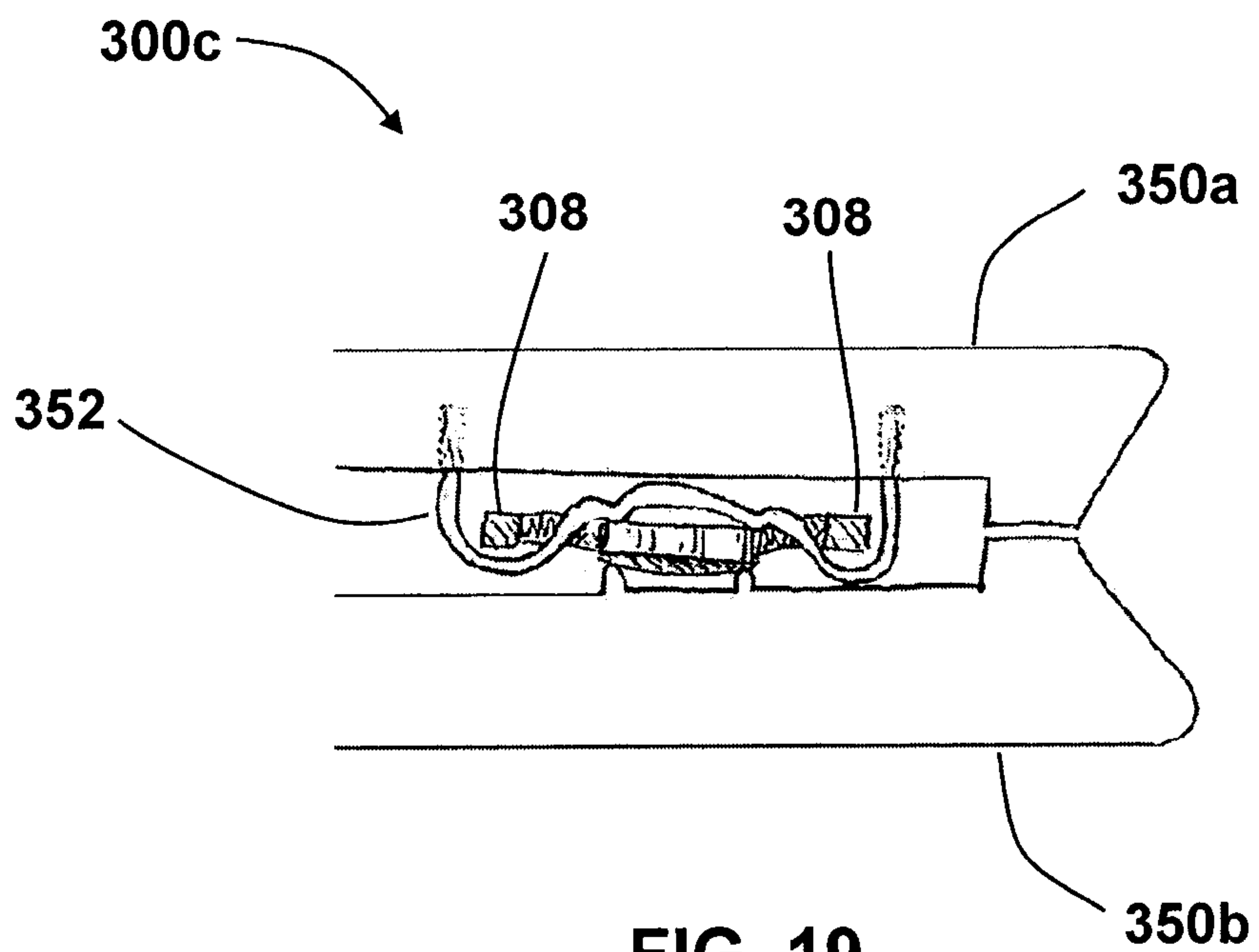


FIG. 19



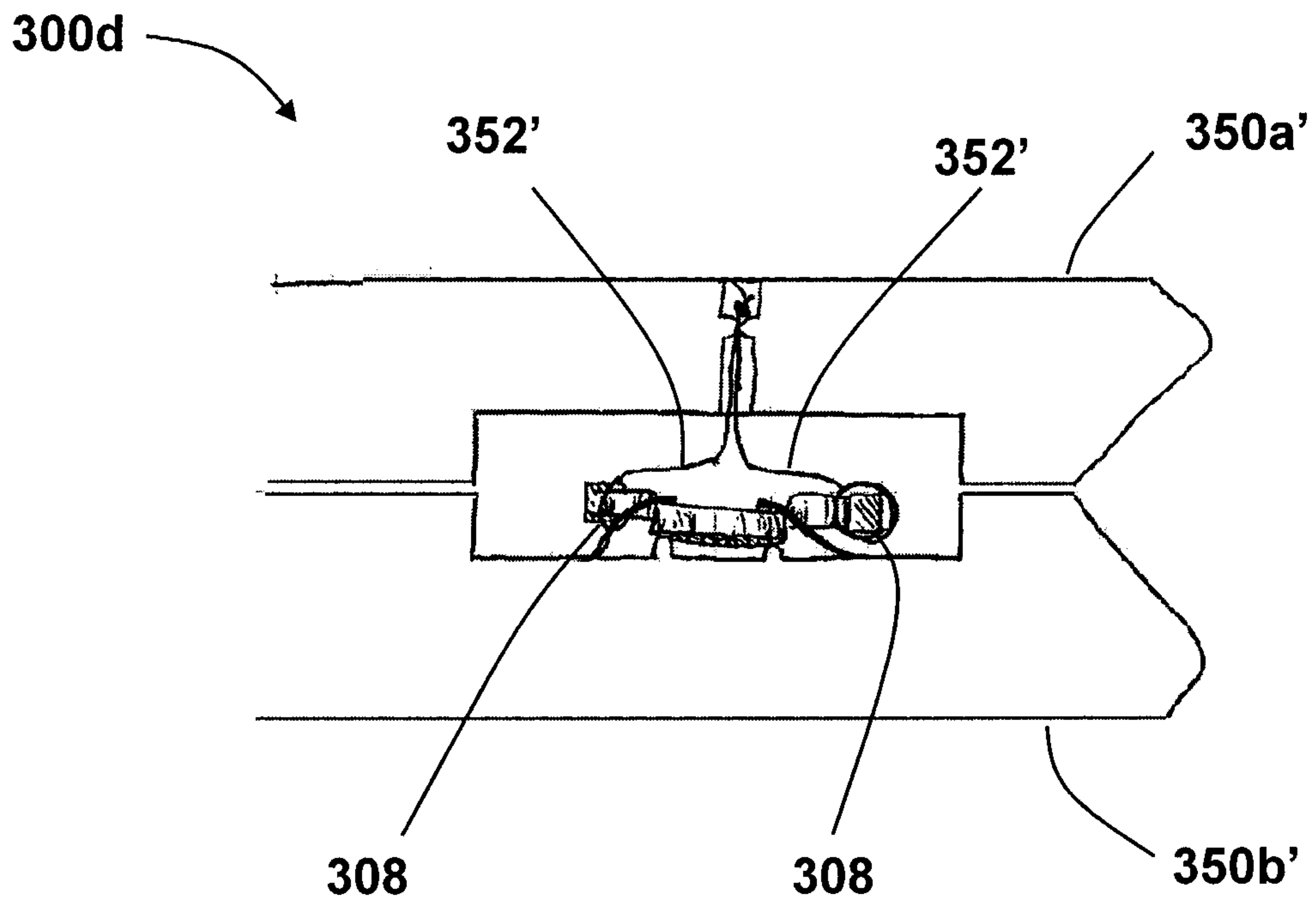


FIG. 20

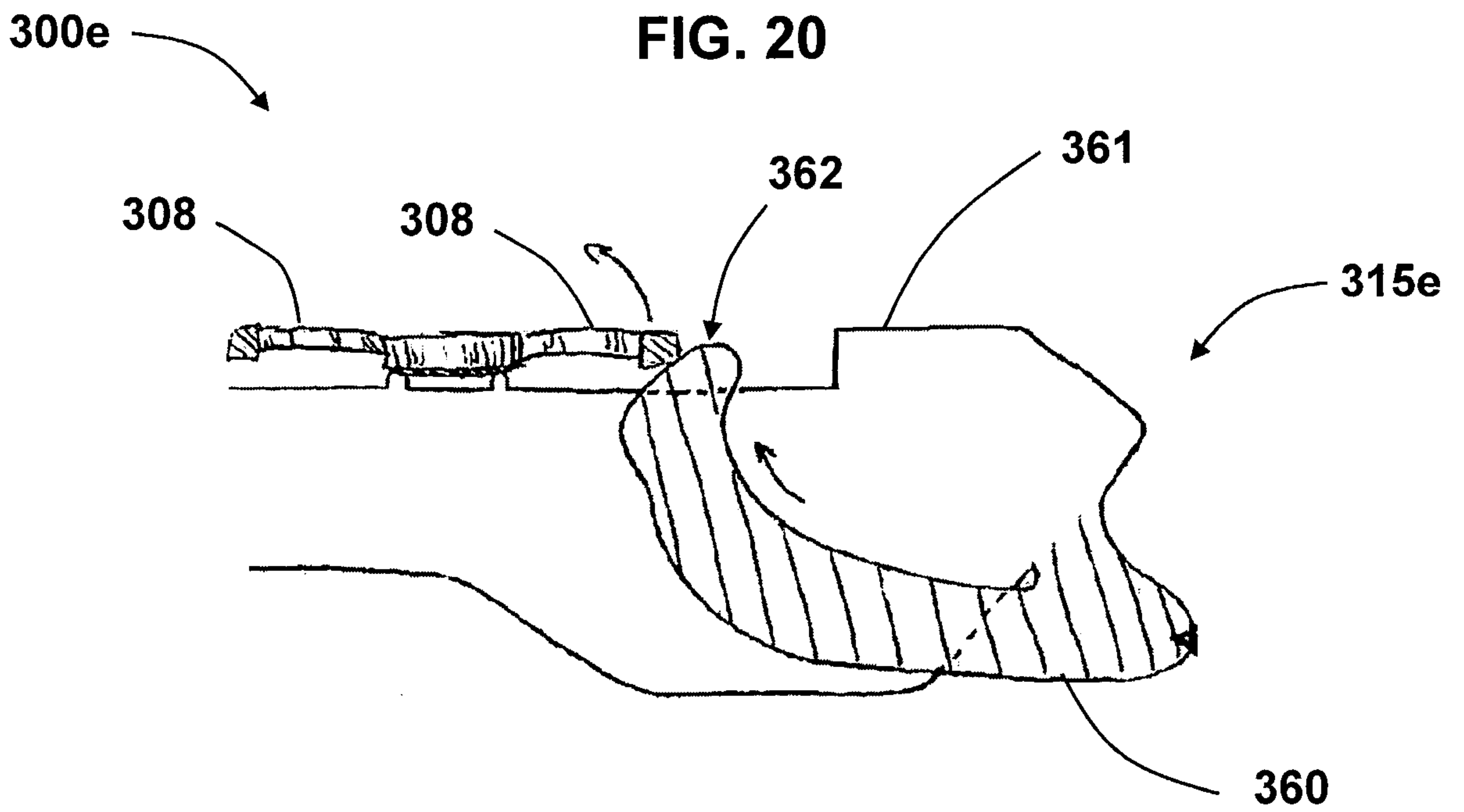


FIG. 21

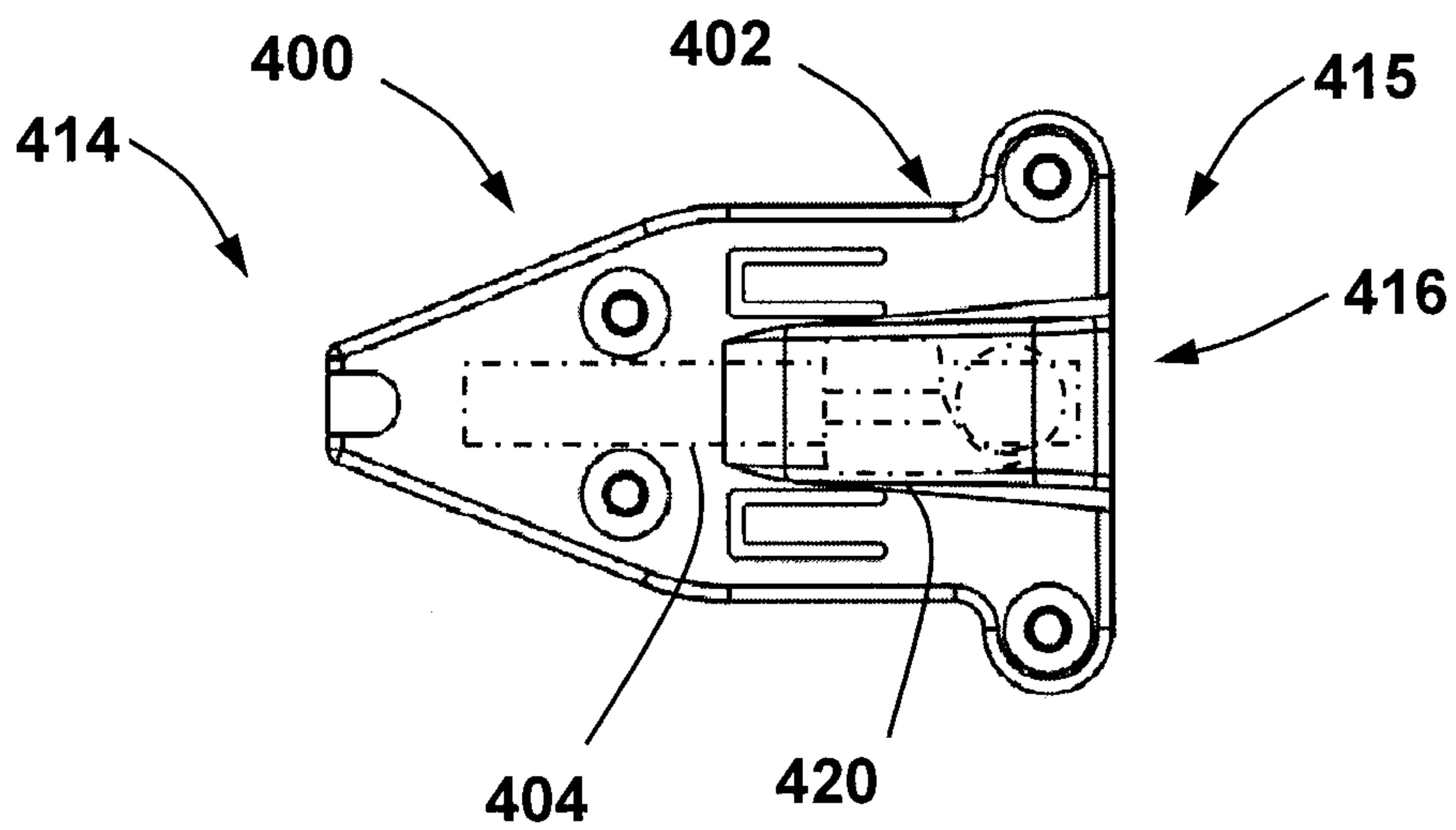


FIG. 22

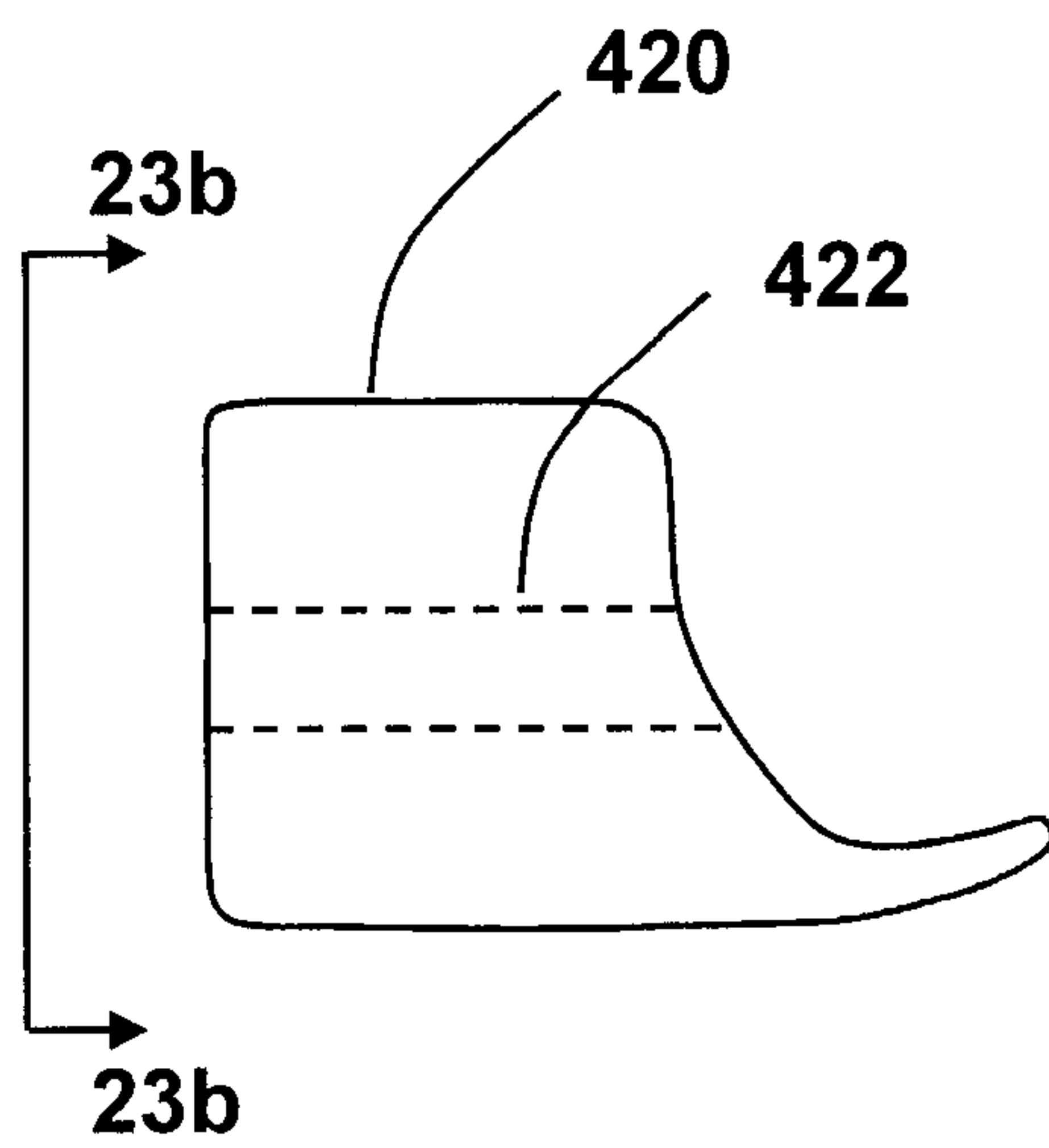


FIG. 23a

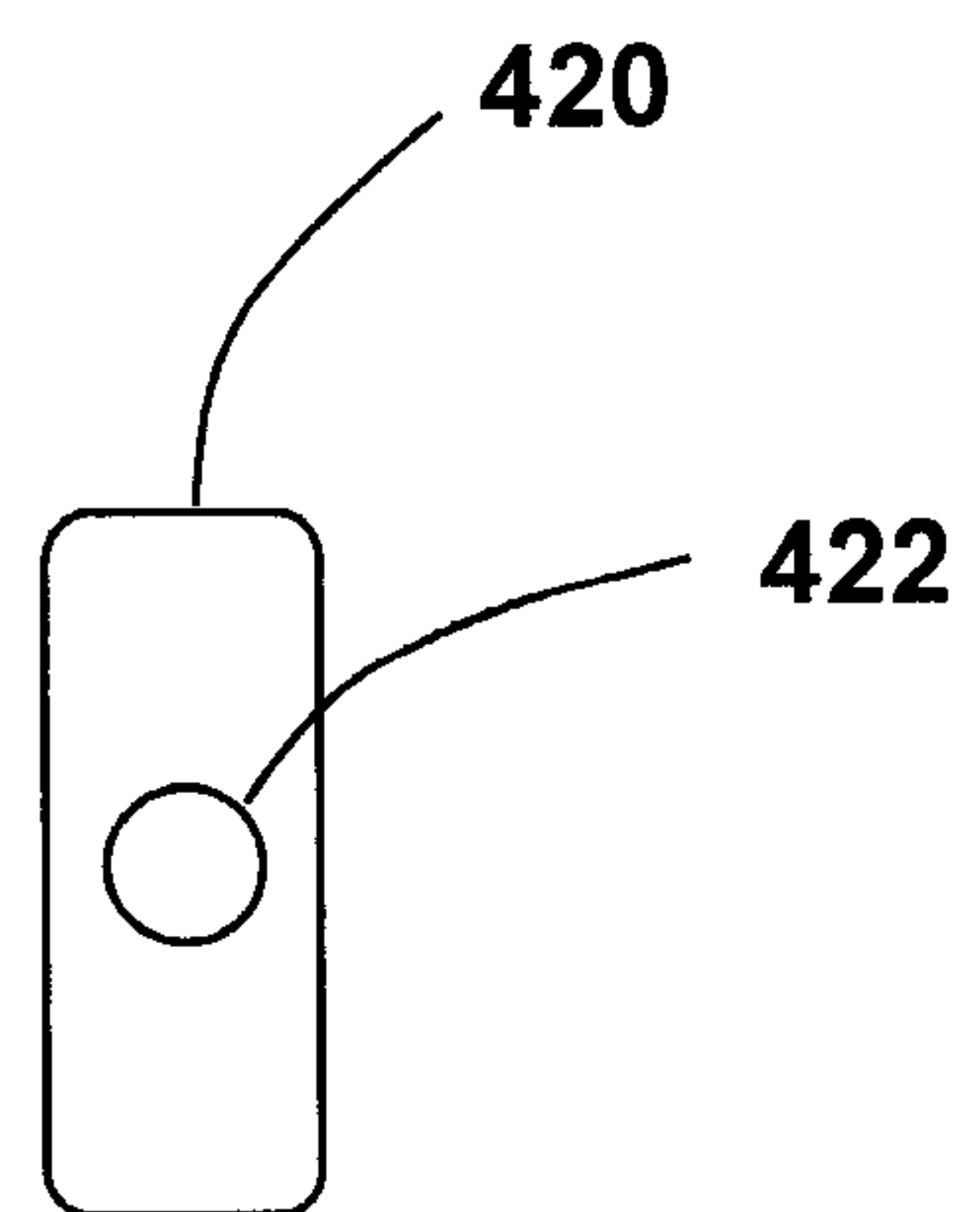


FIG. 23b



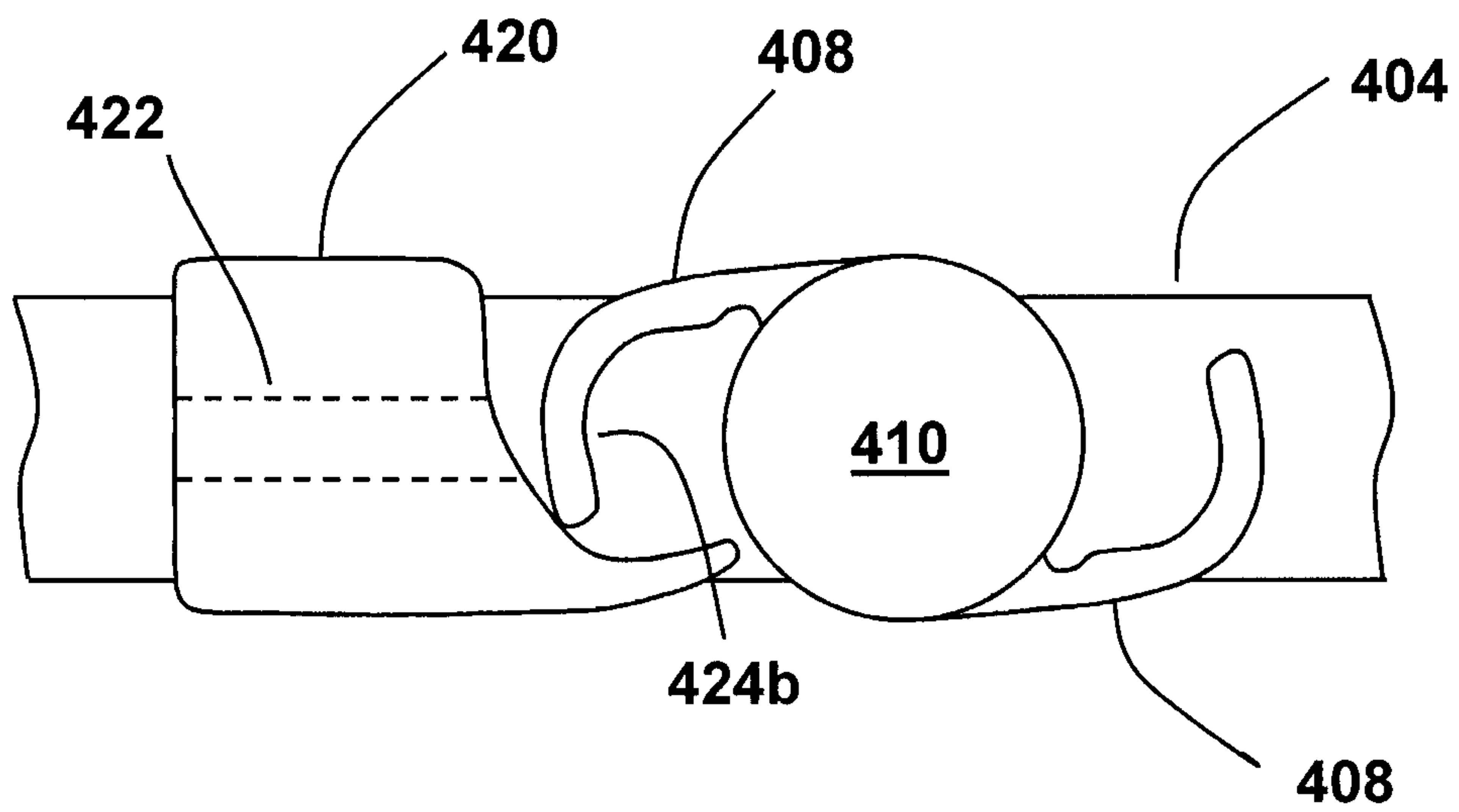


FIG. 24a

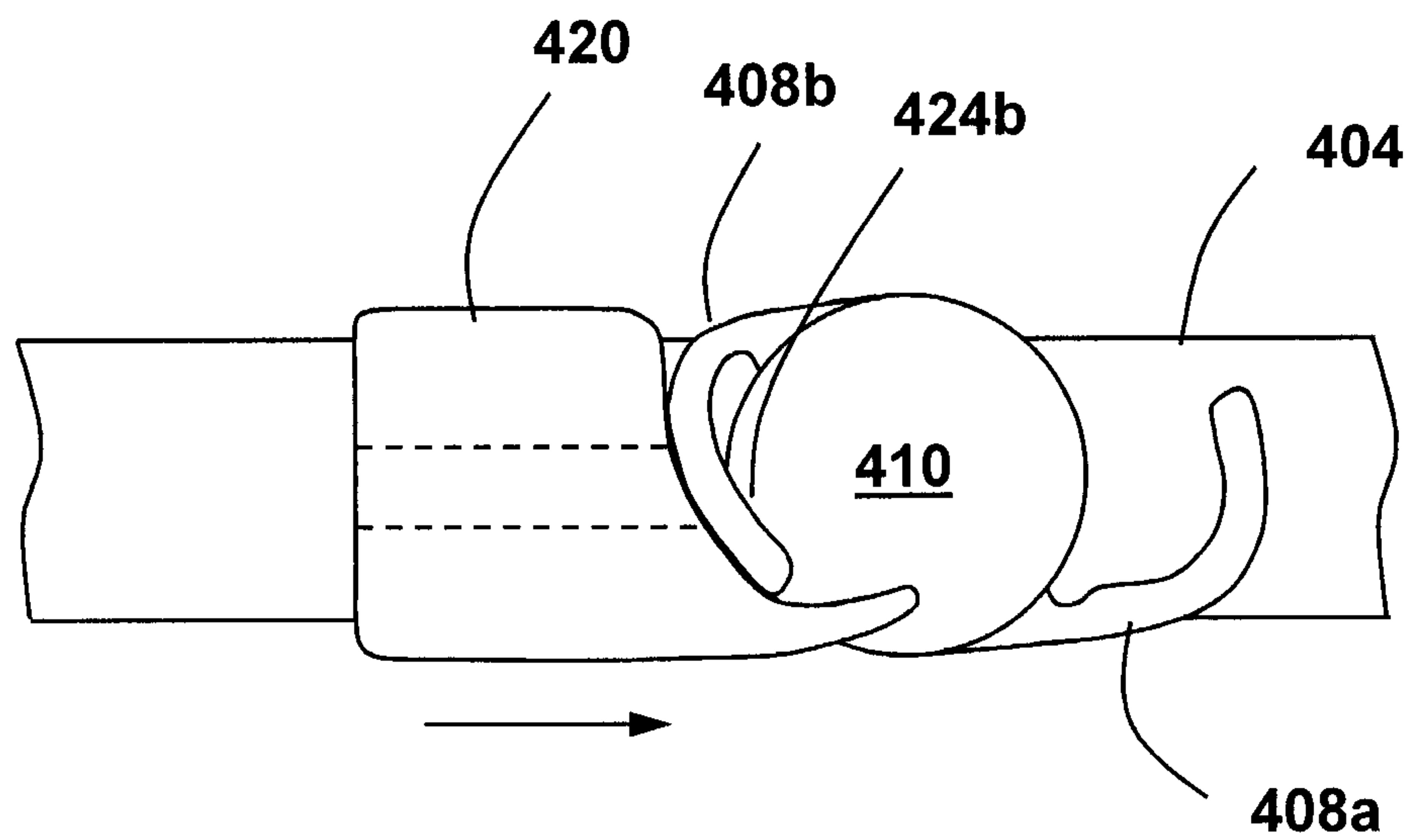
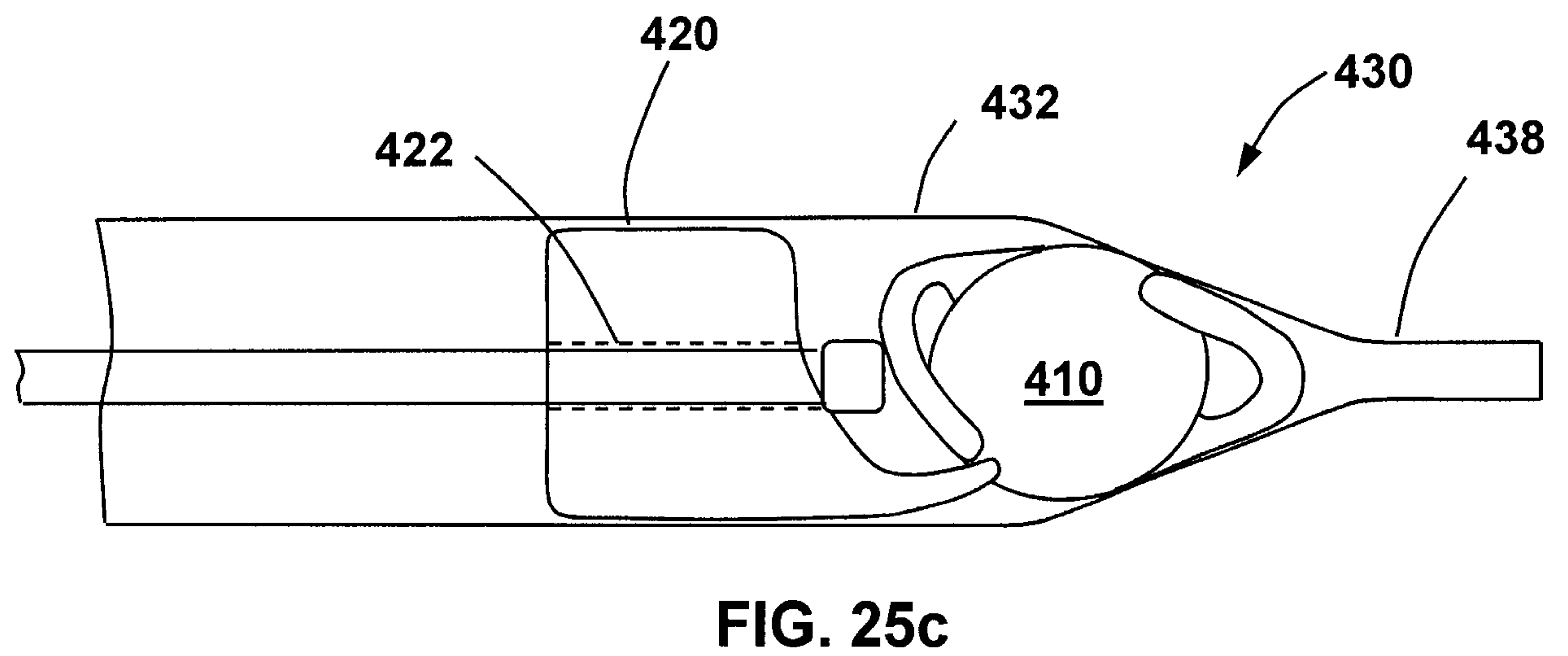
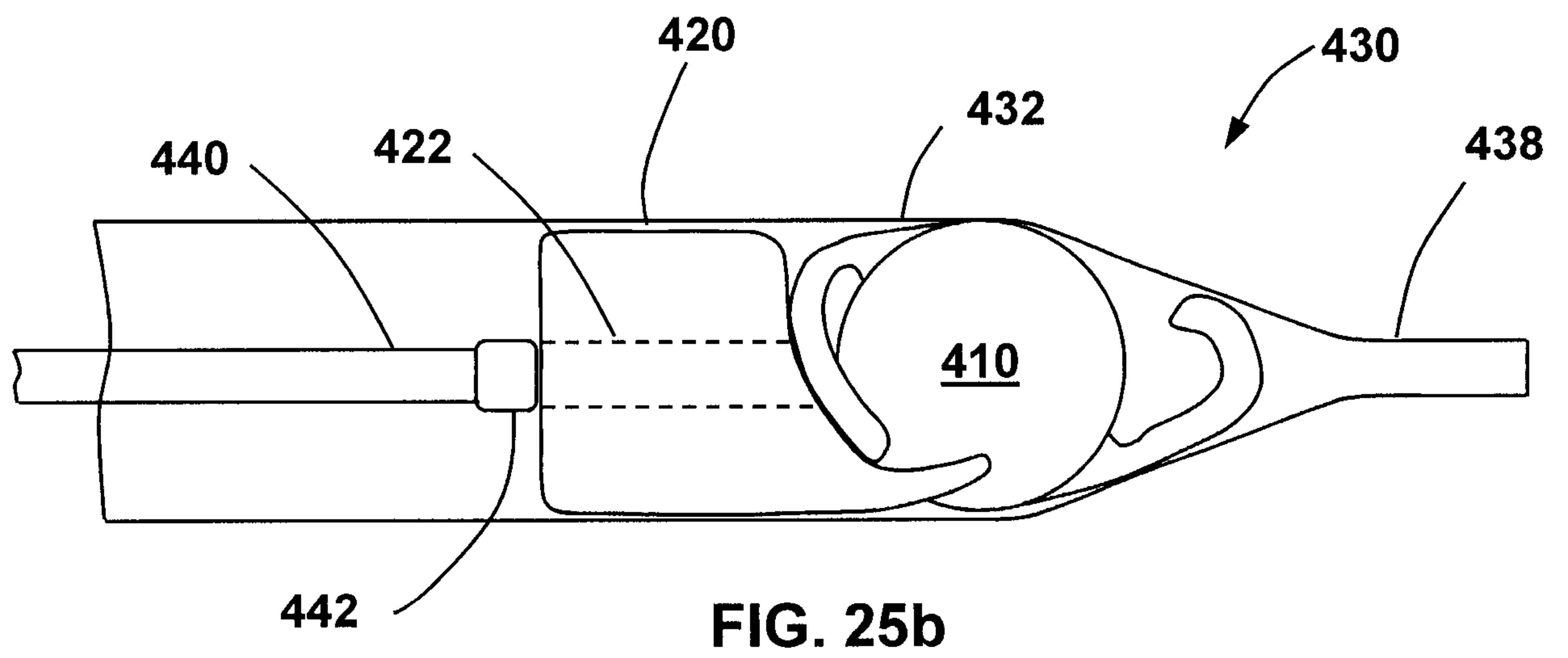
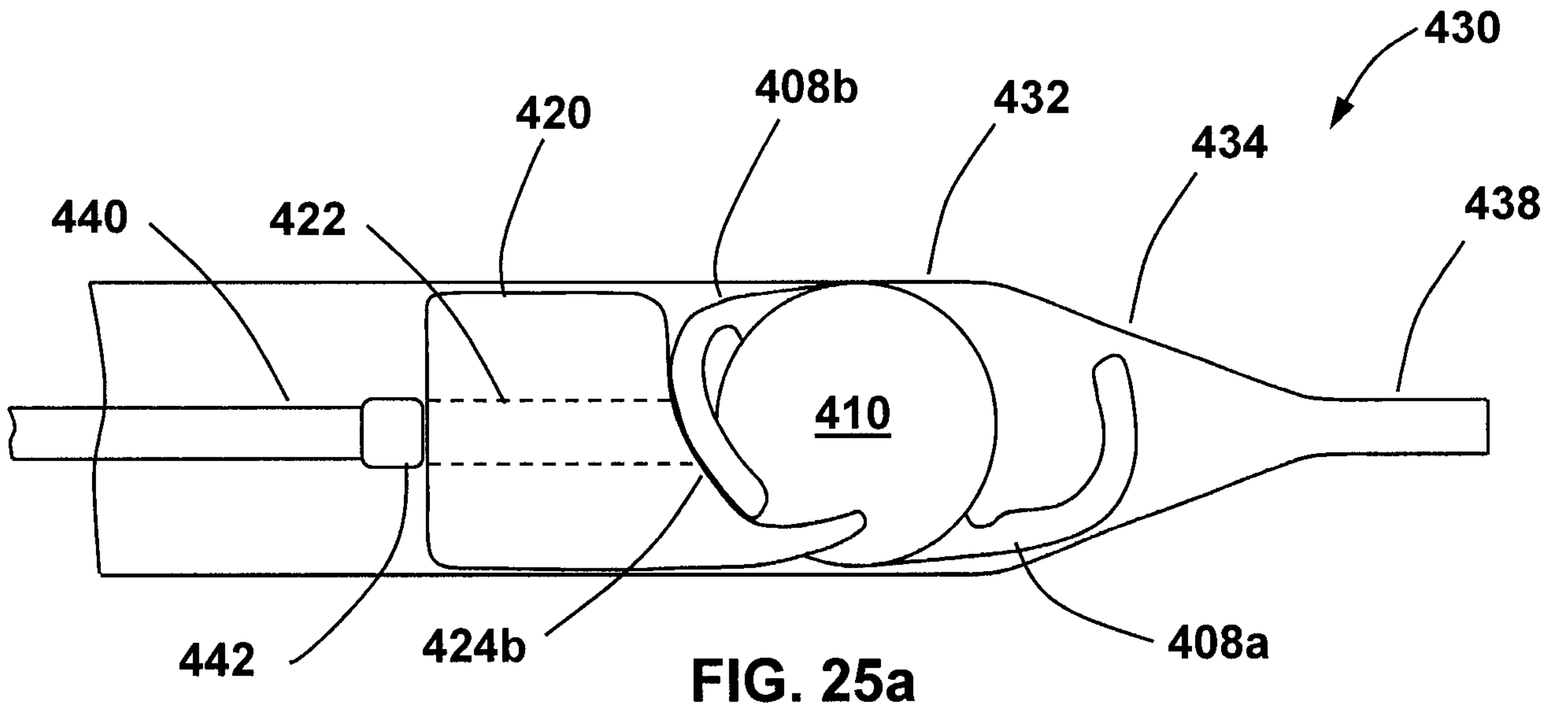


FIG. 24b





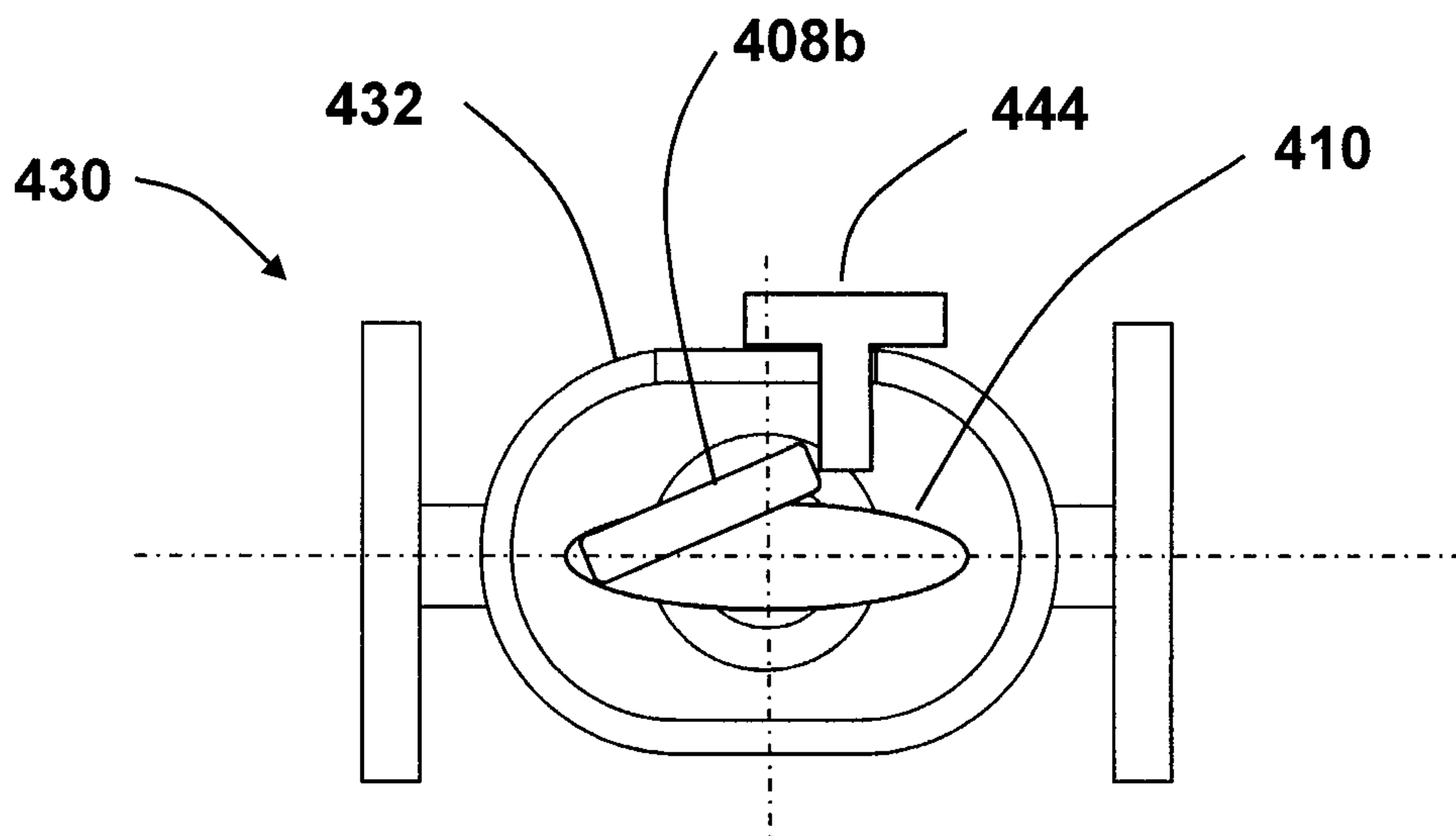


FIG. 26

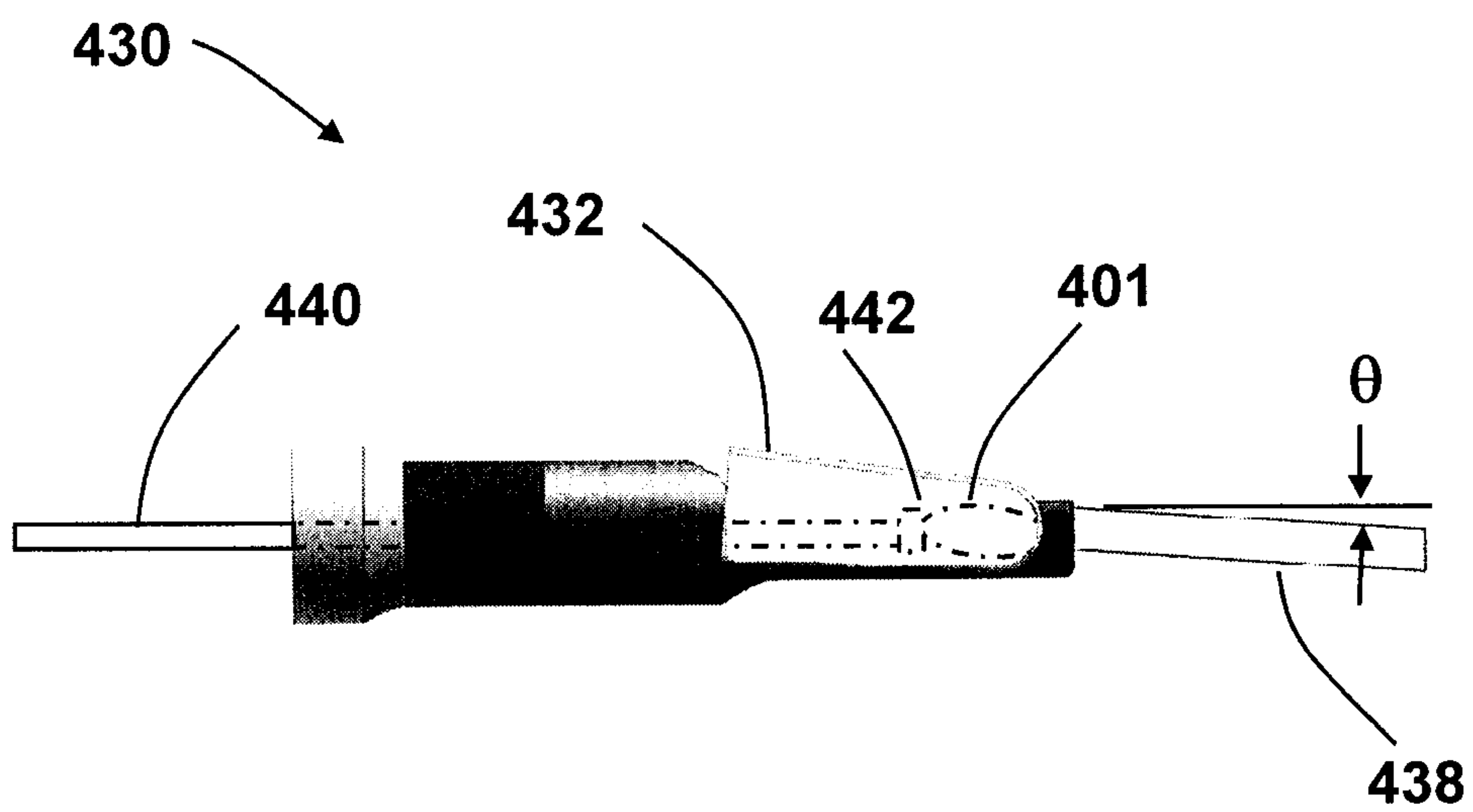
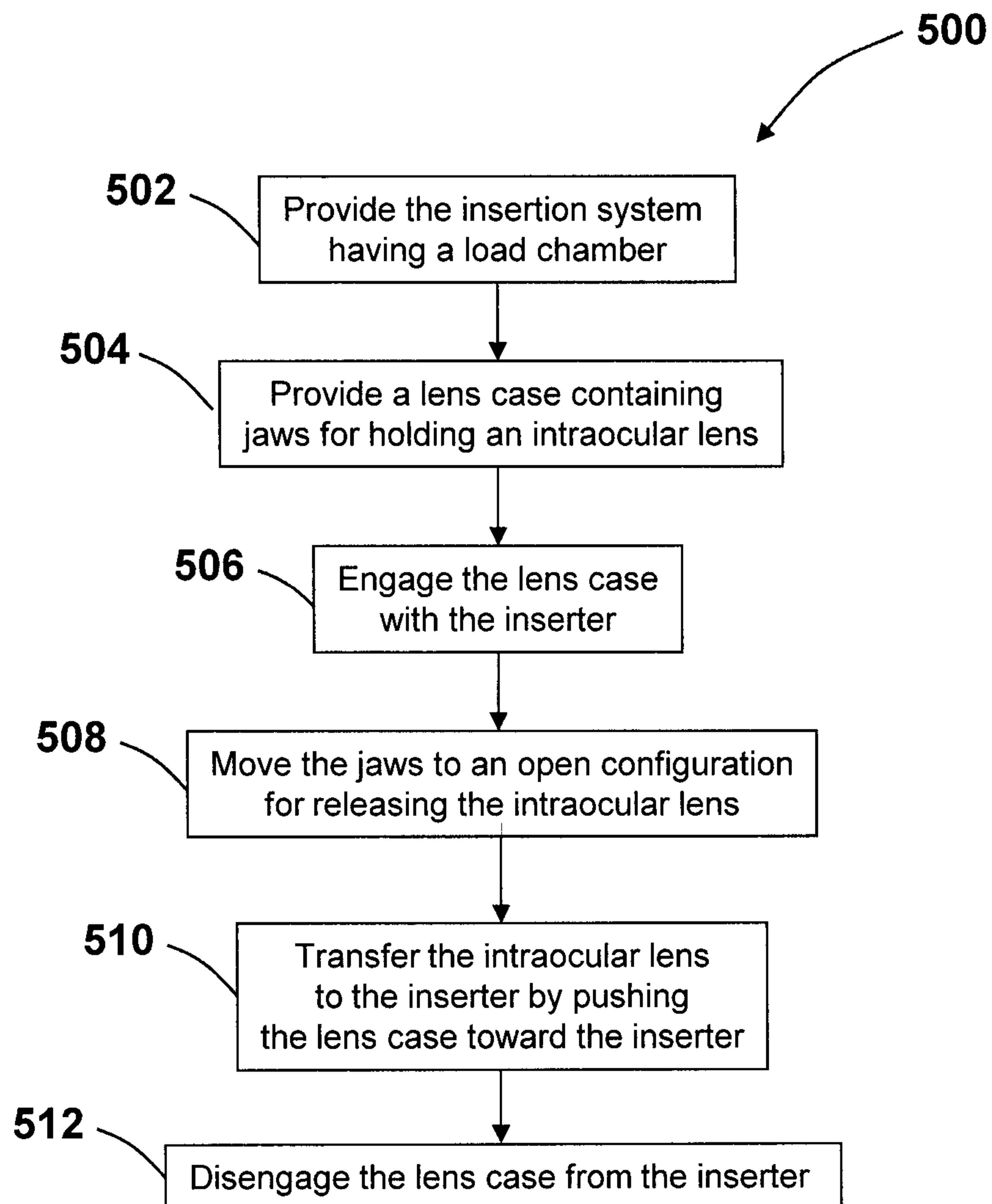


FIG. 27

**FIG. 28**



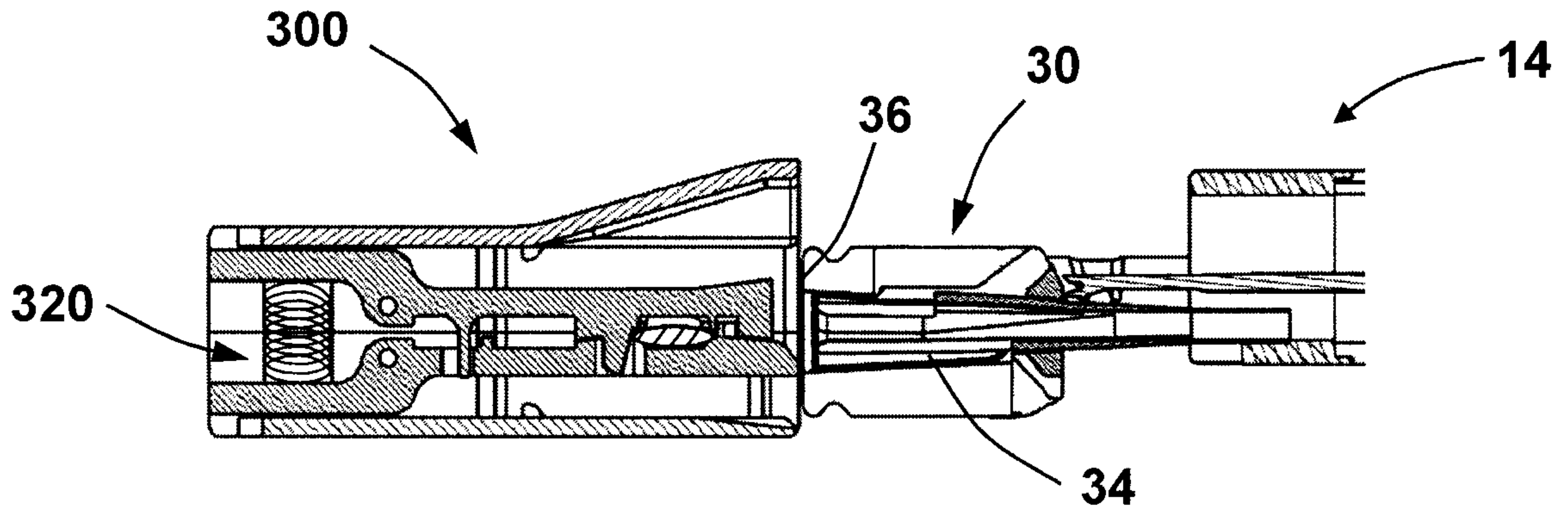


FIG. 29a

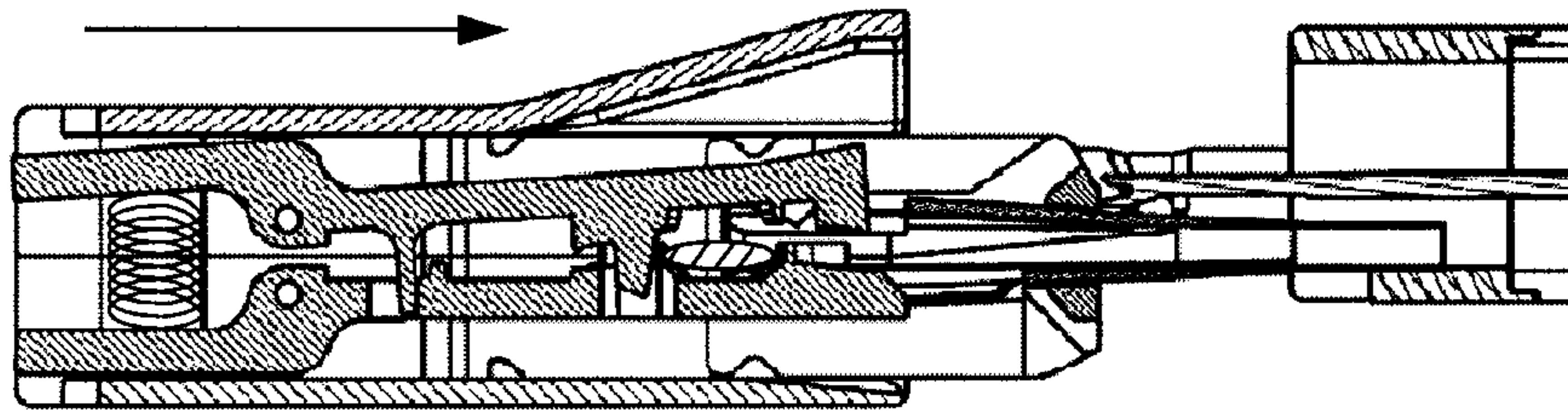


FIG. 29b

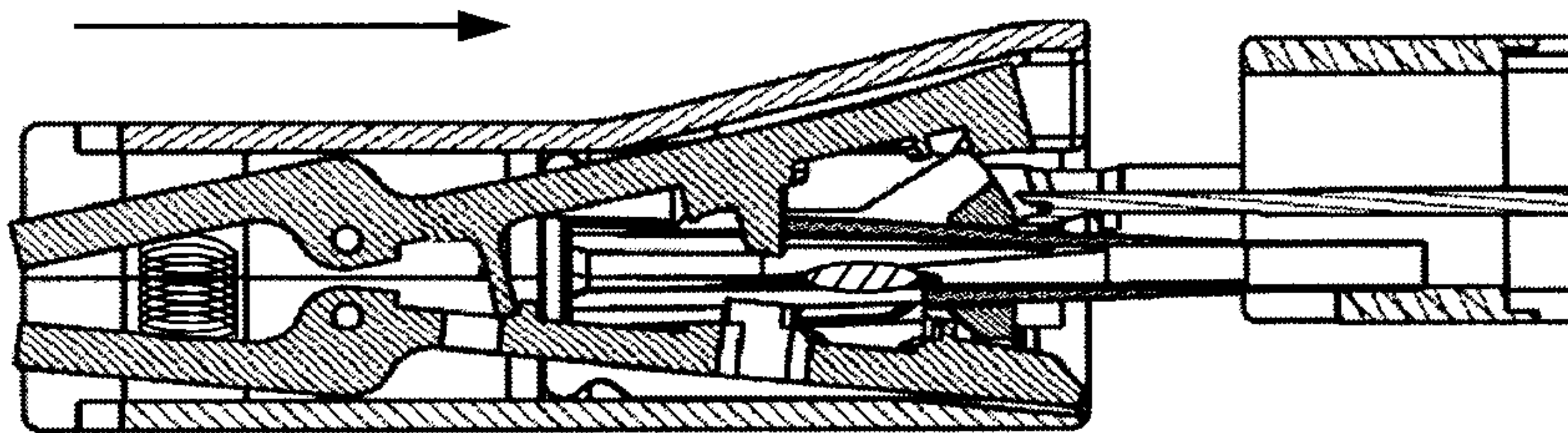


FIG. 29c

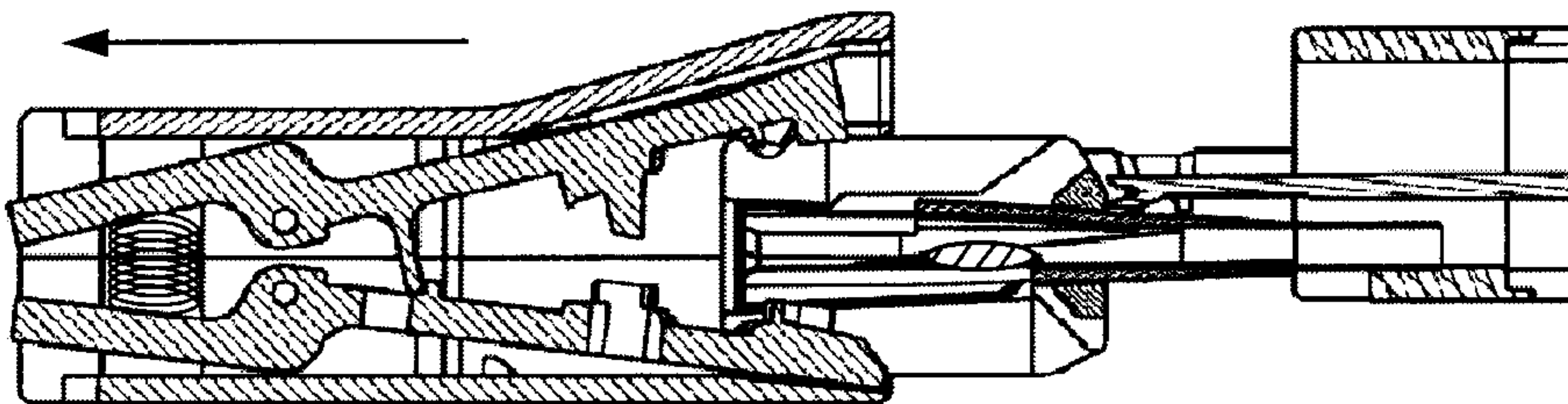
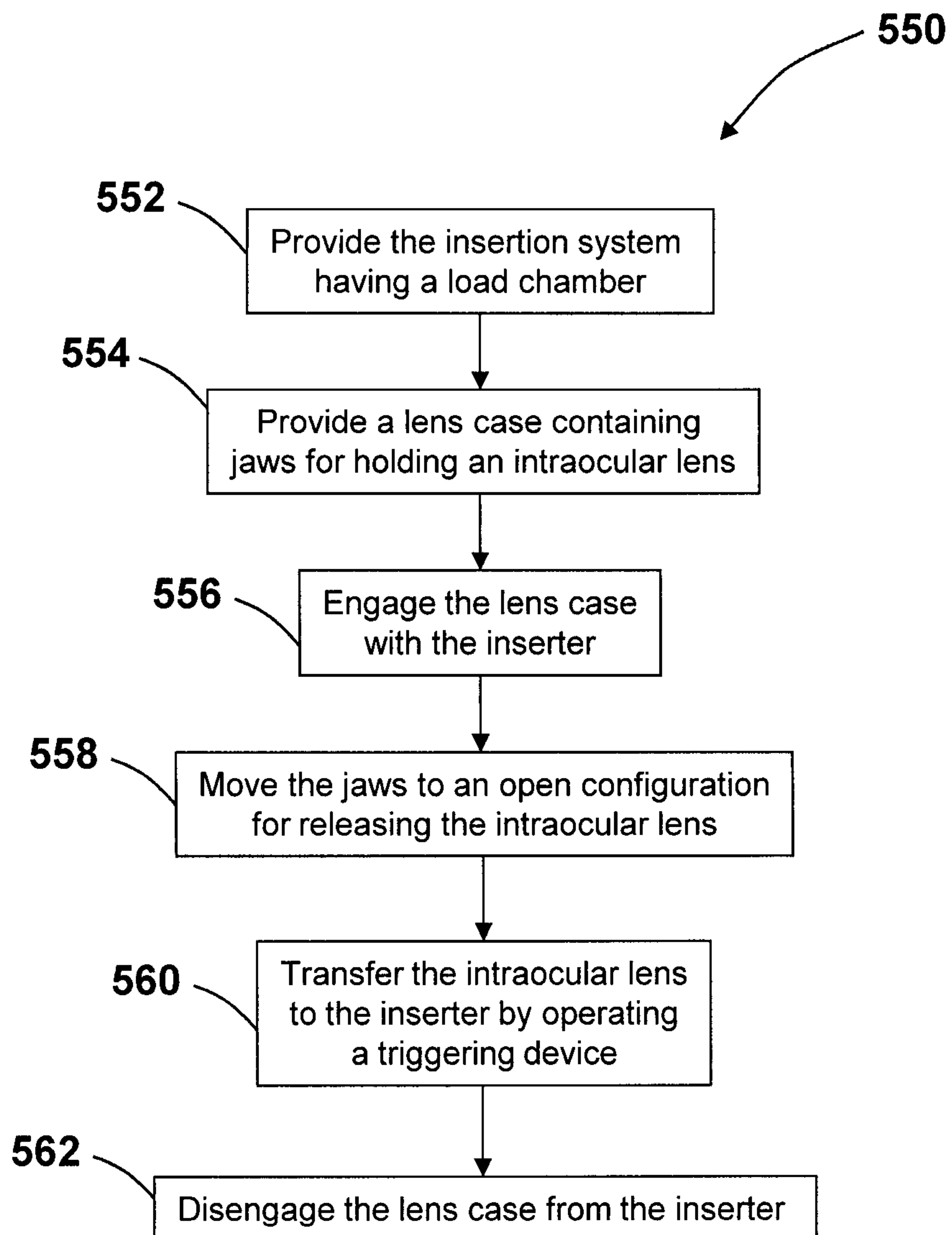
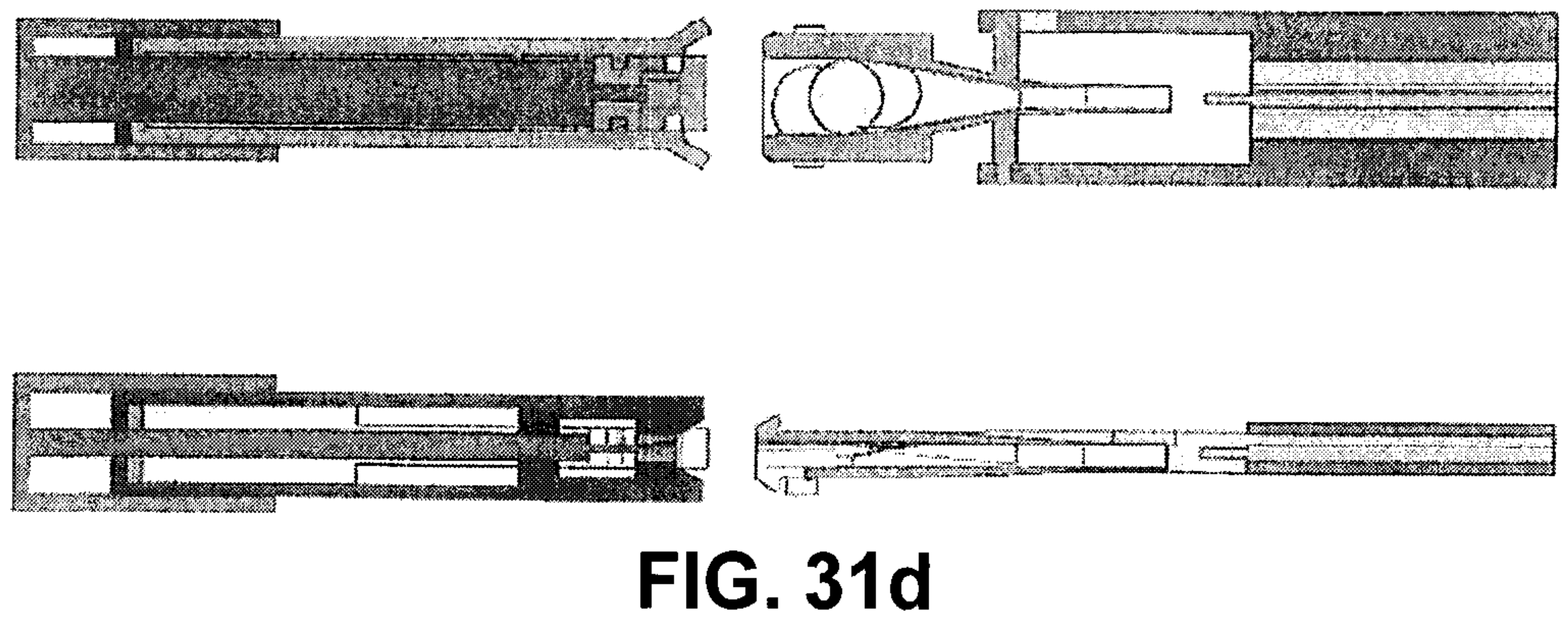
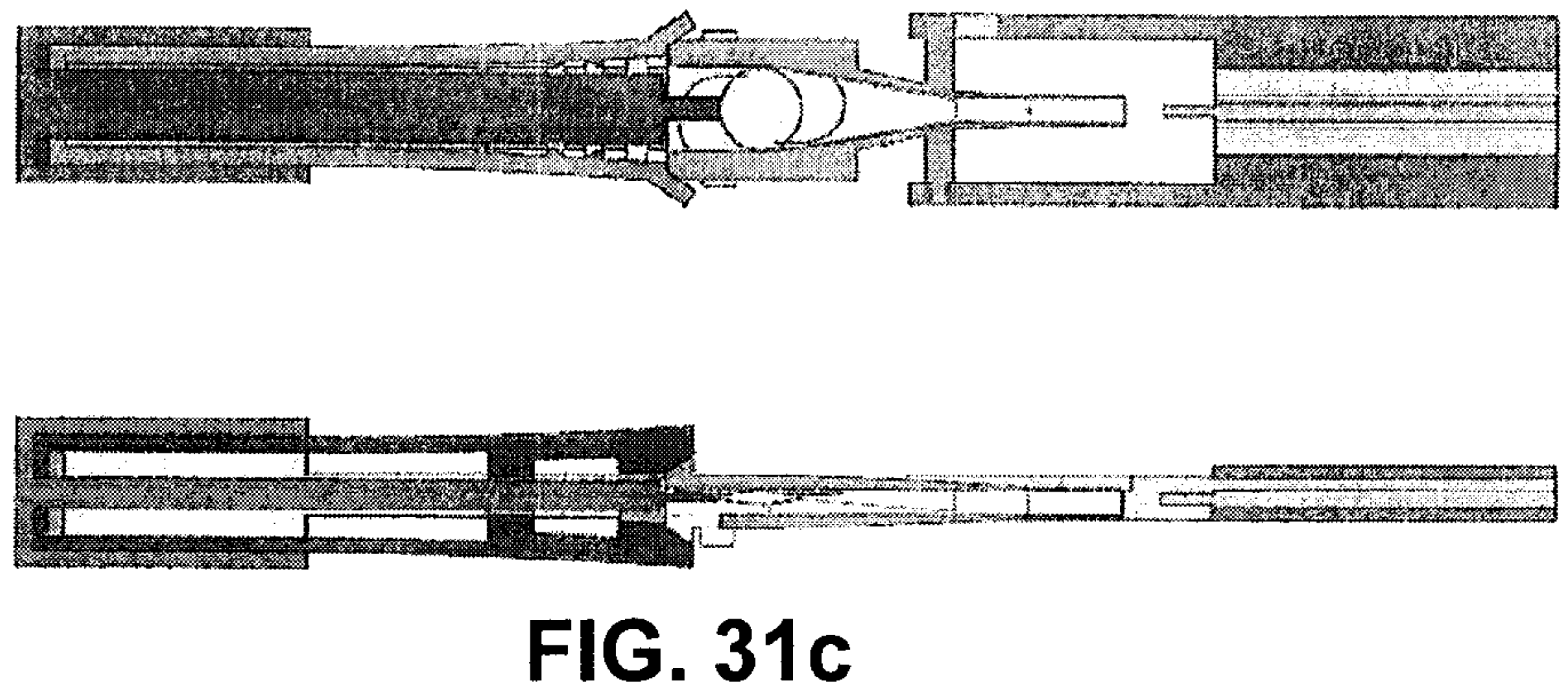
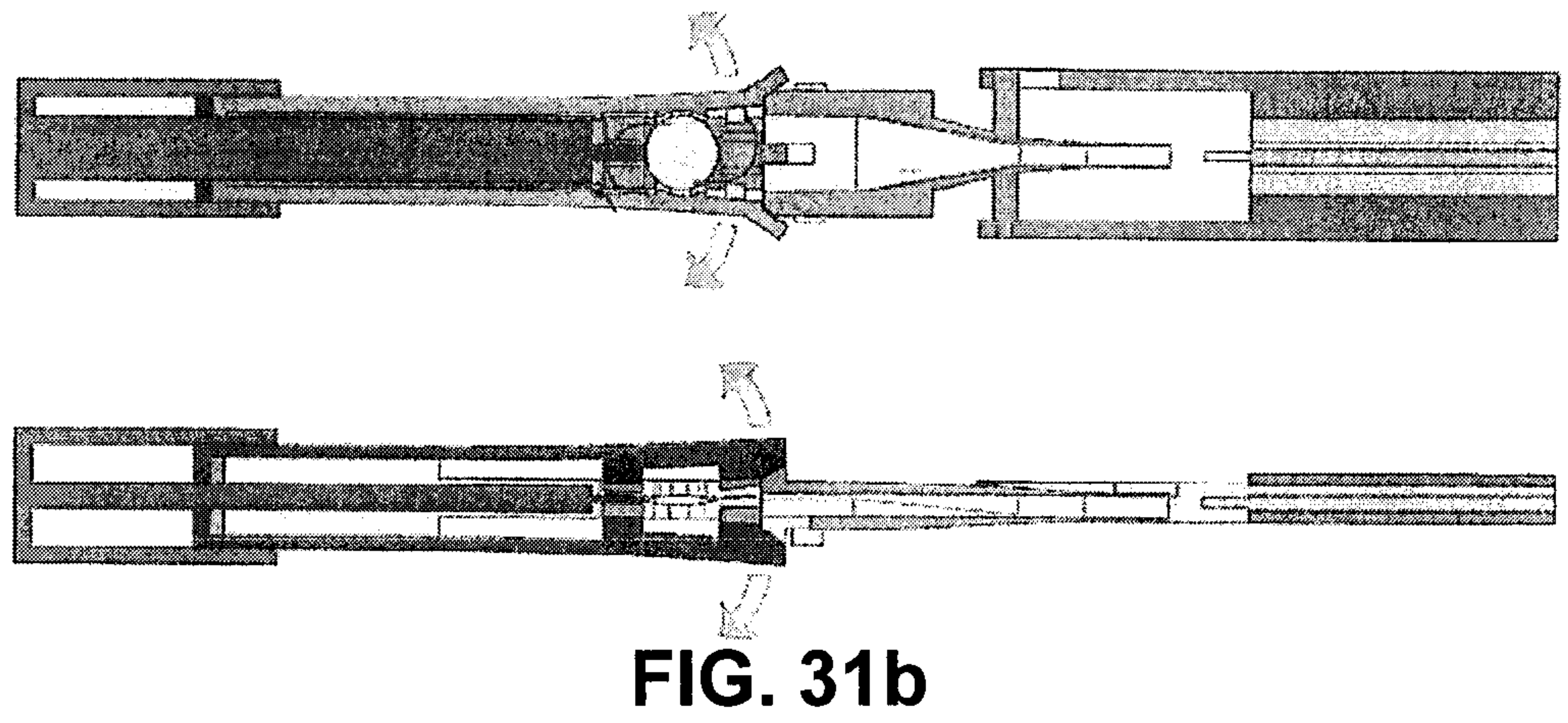
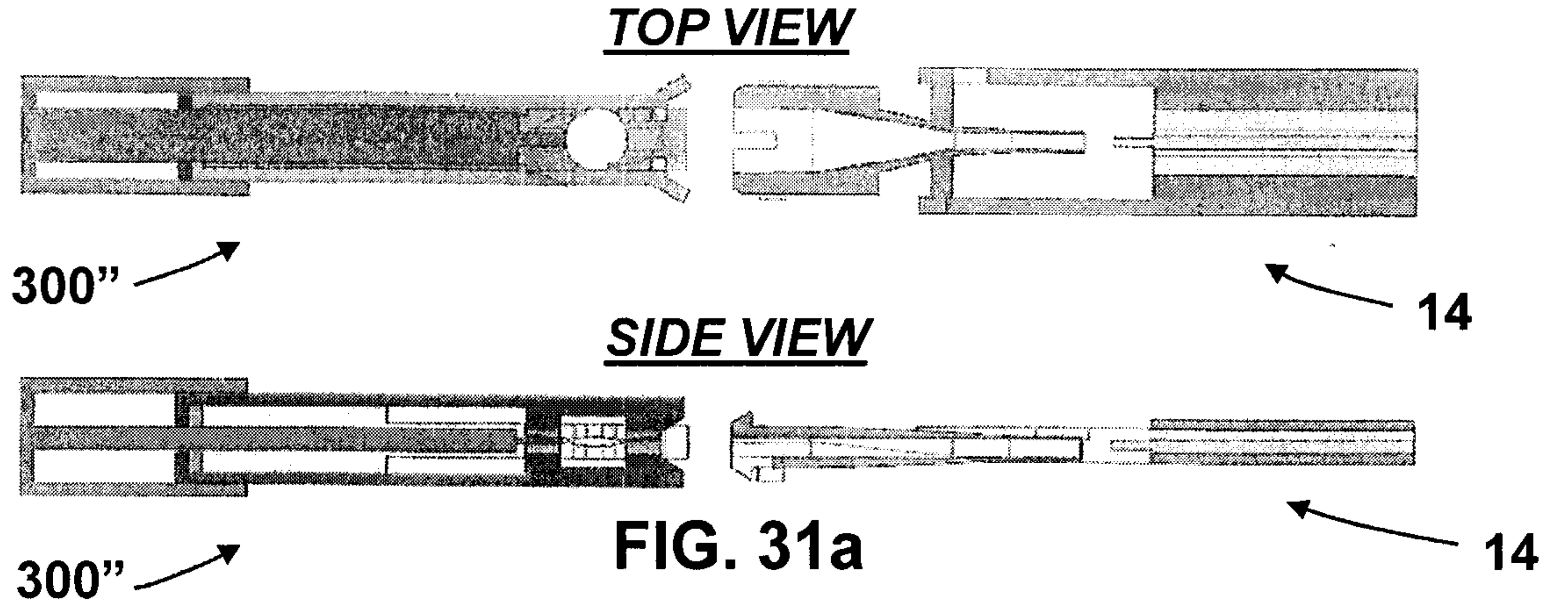


FIG. 29d



**FIG. 30**







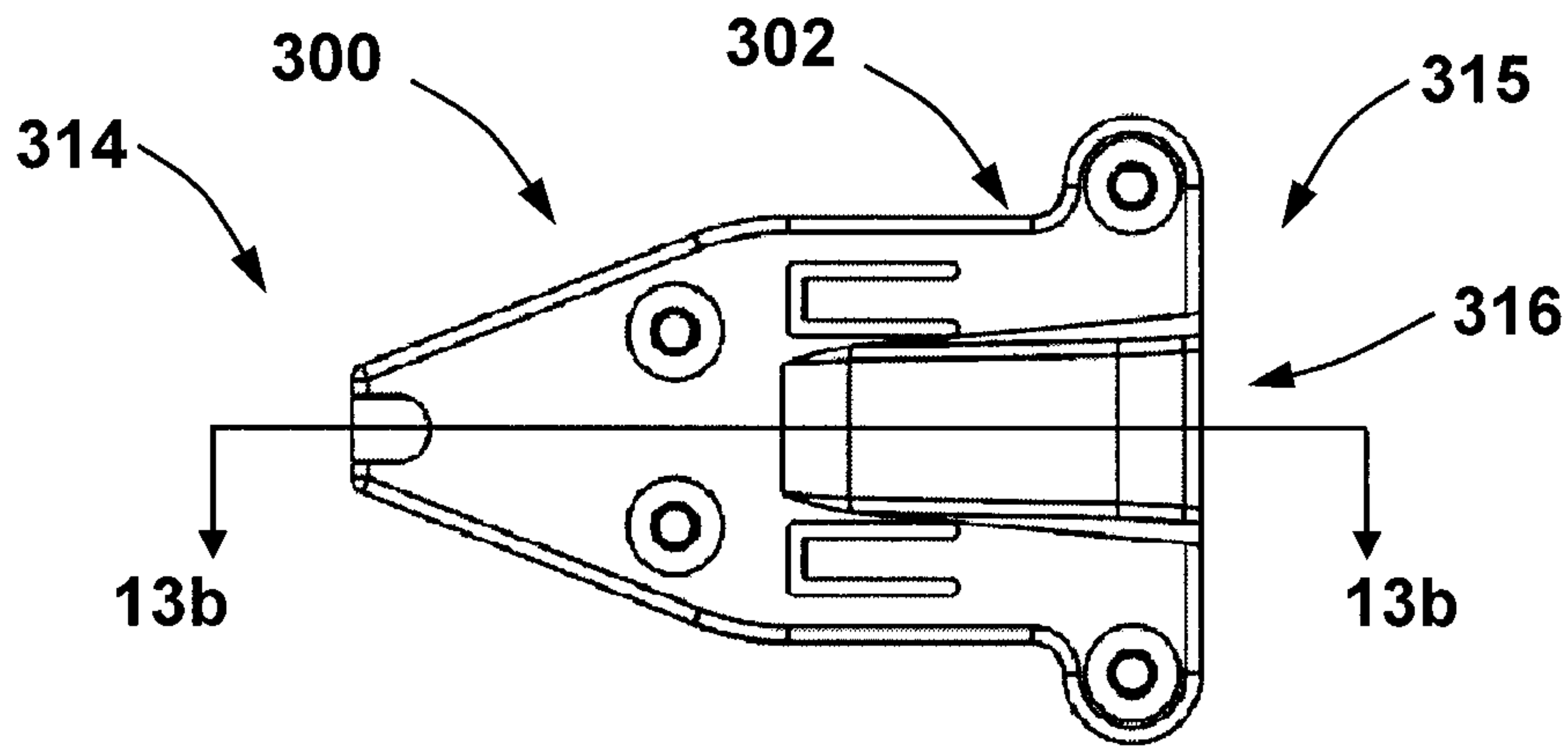


FIG. 13a

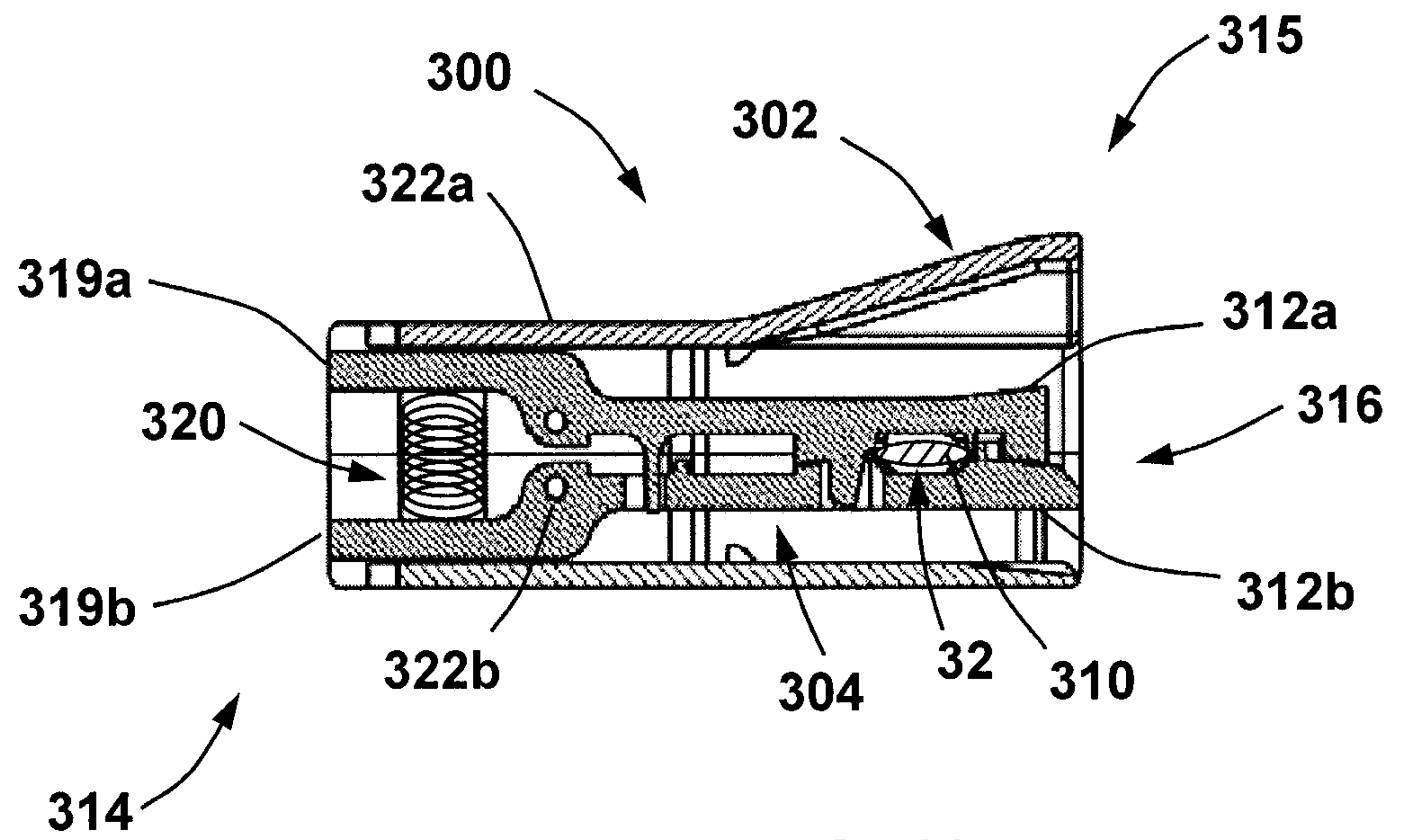


FIG. 13b

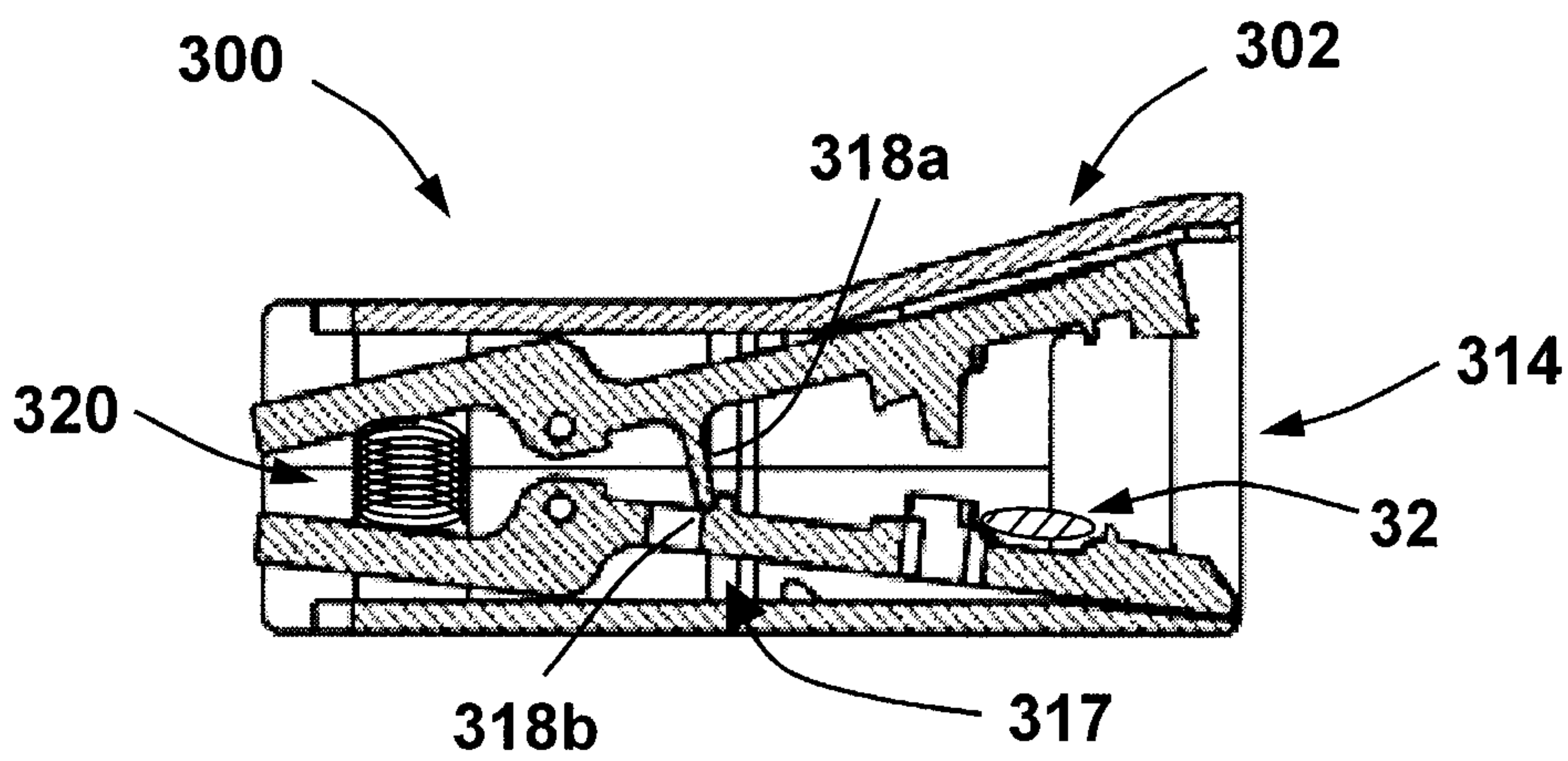
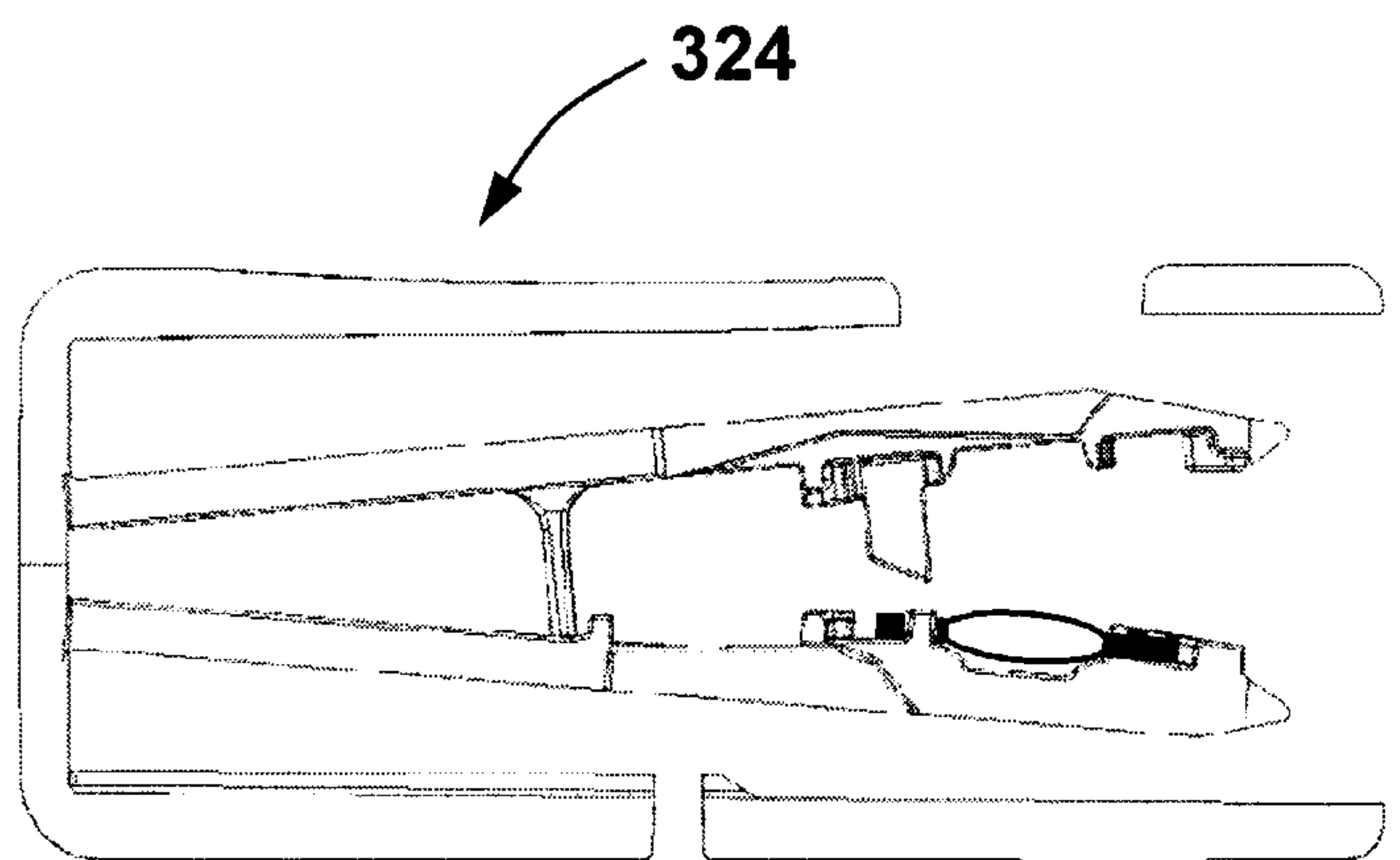
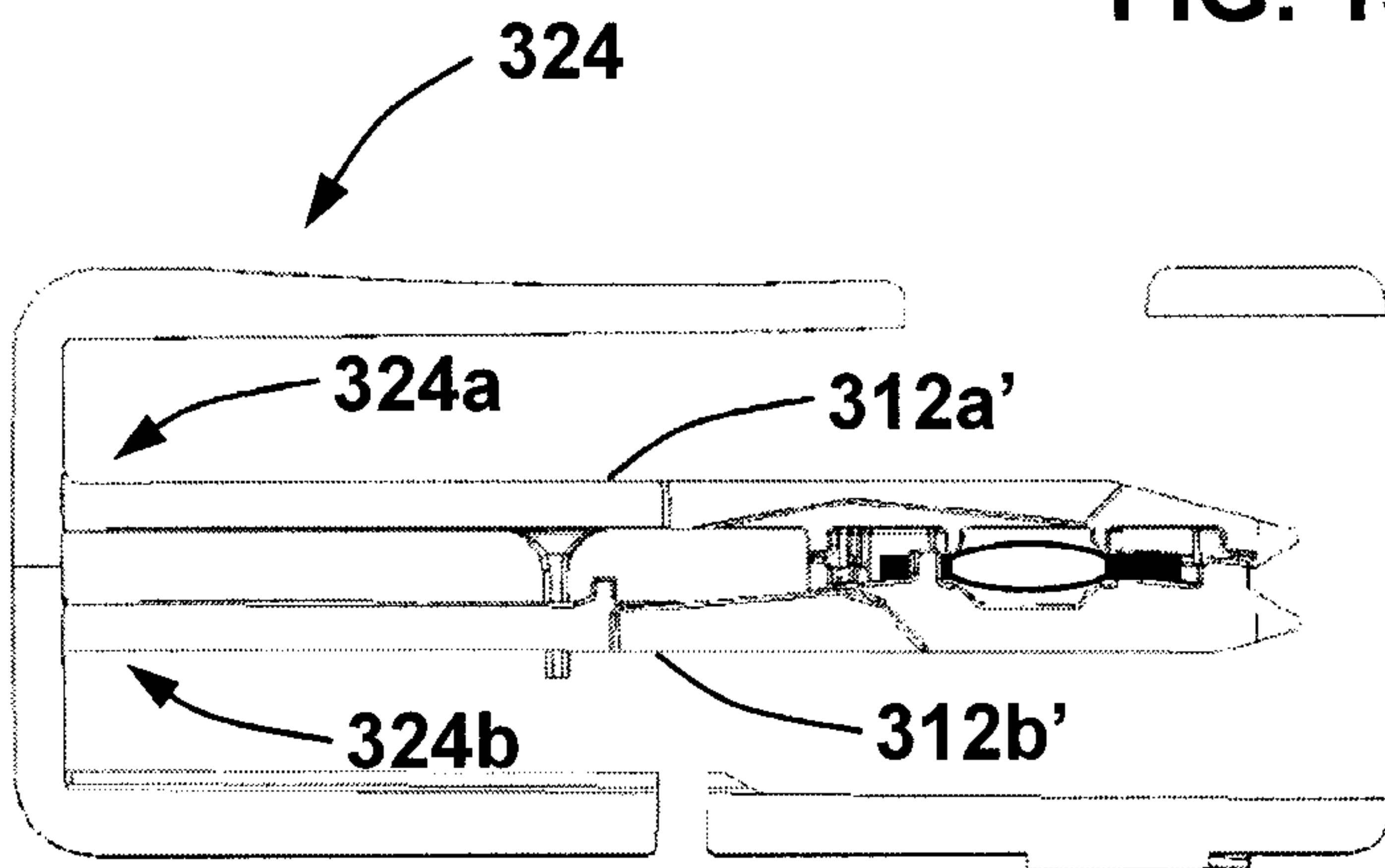
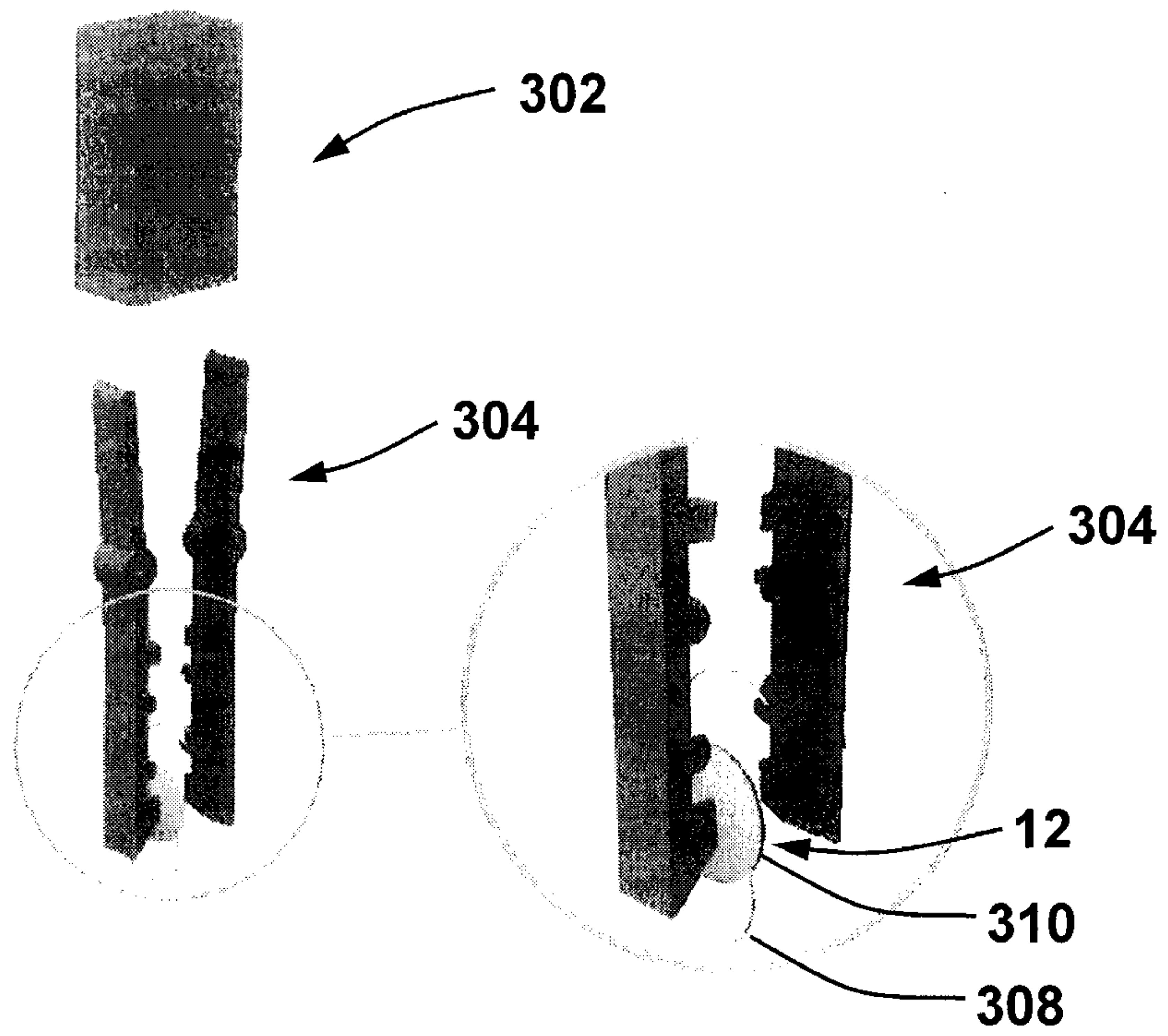


FIG. 13c





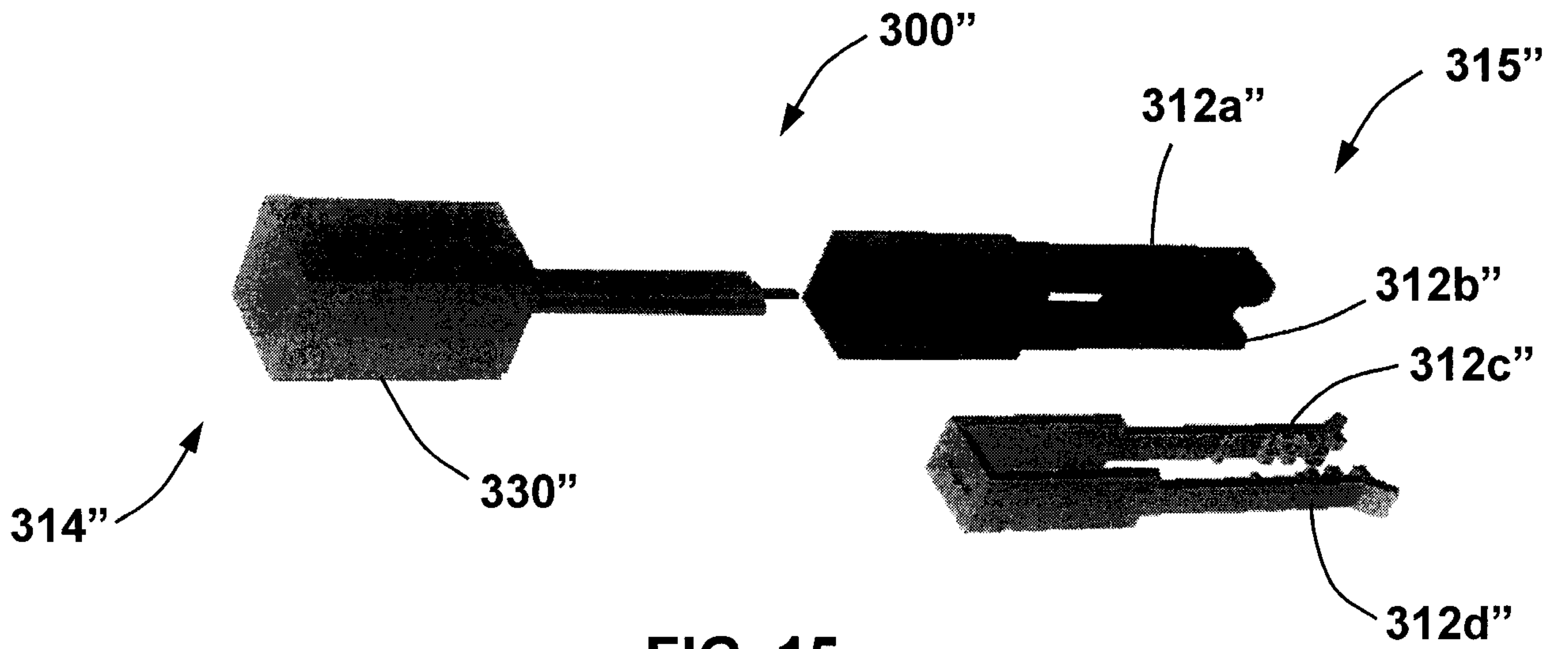


FIG. 15

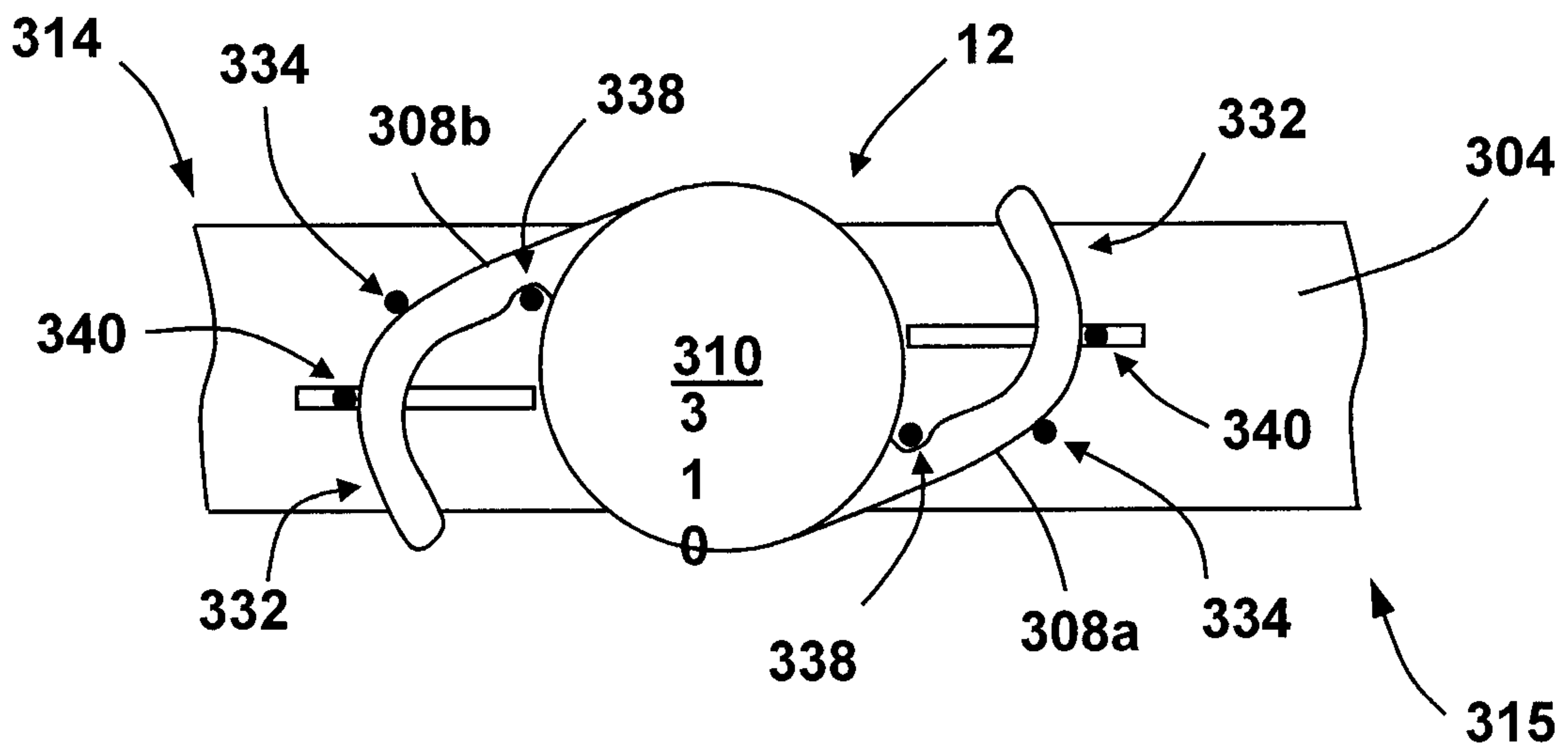


FIG. 16a

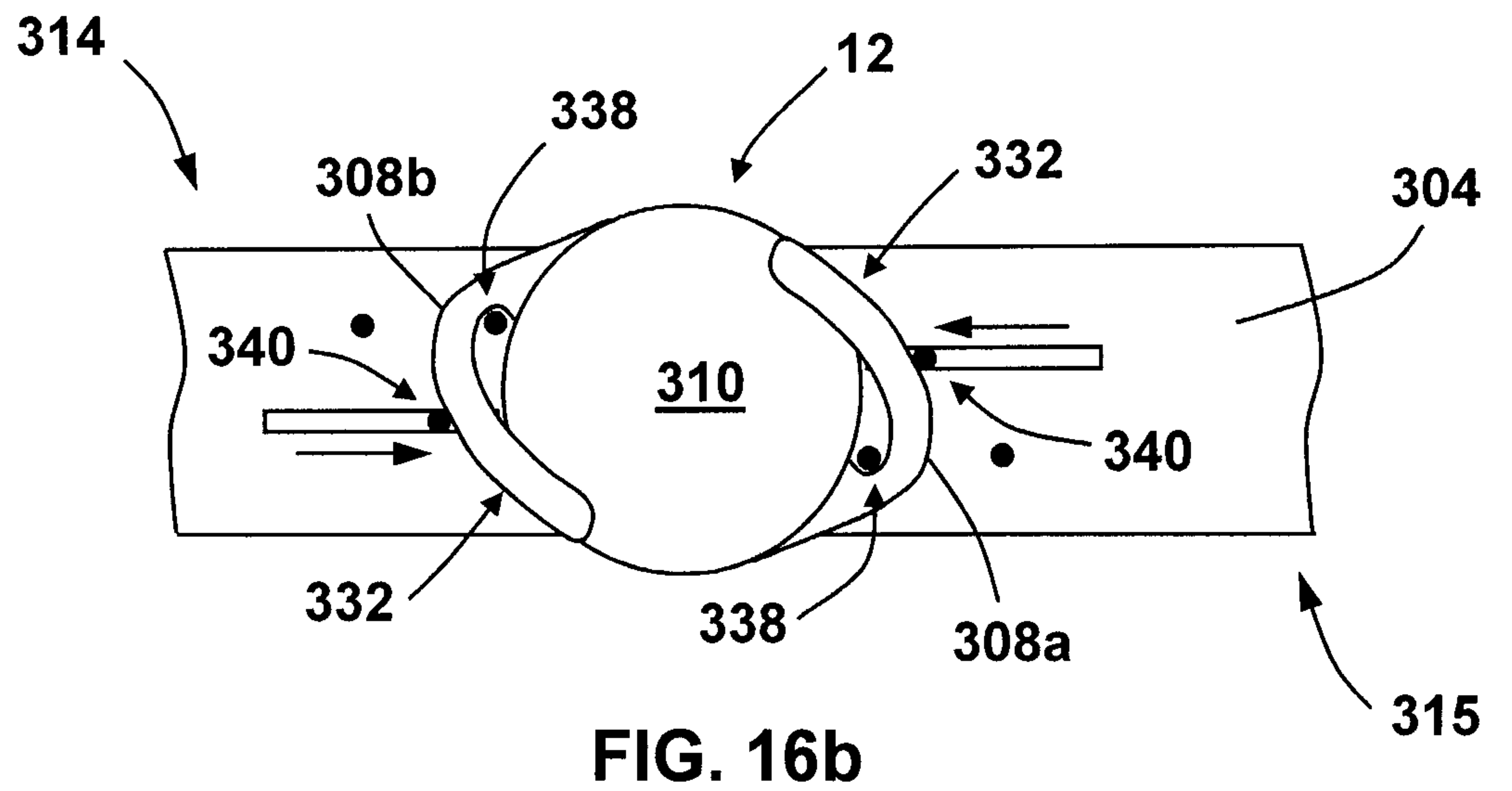
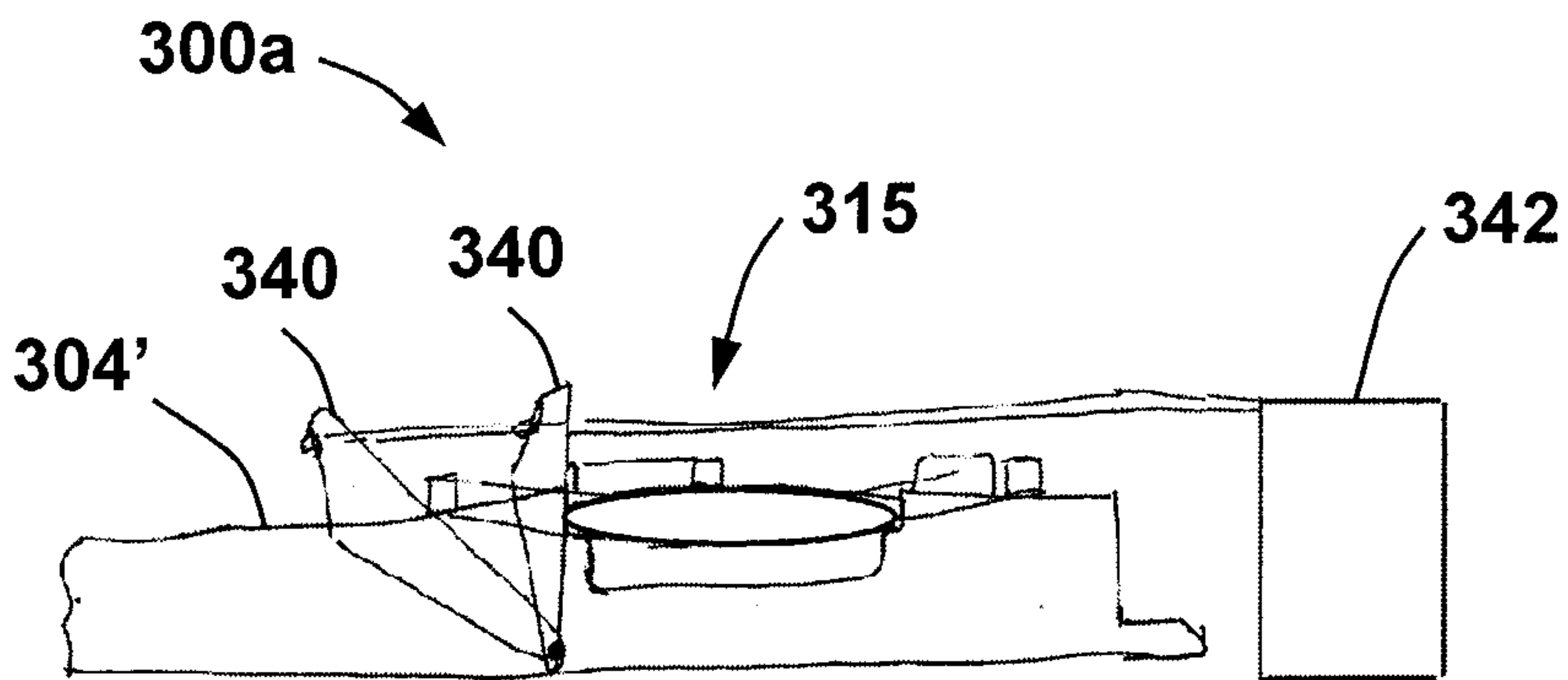
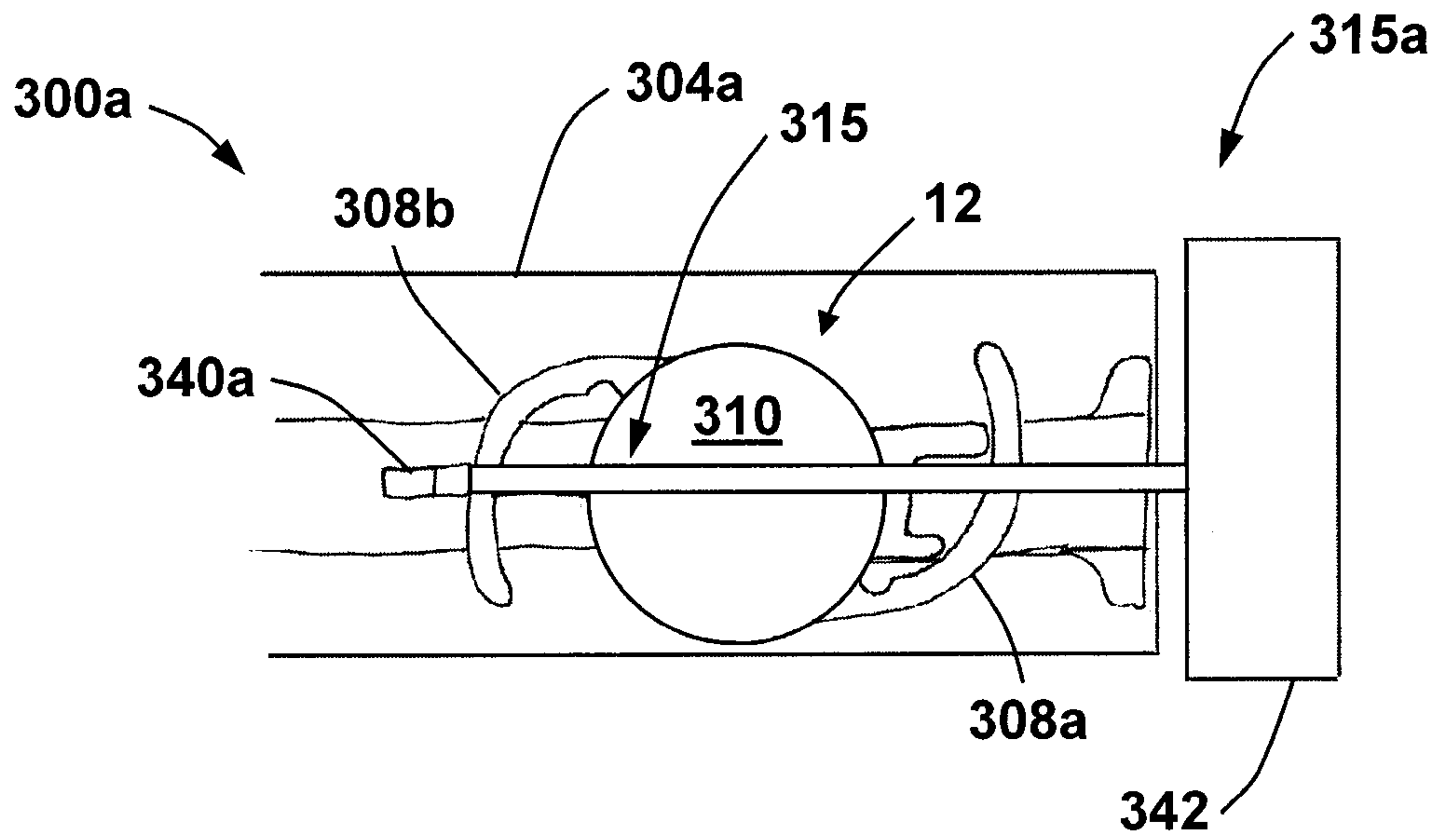
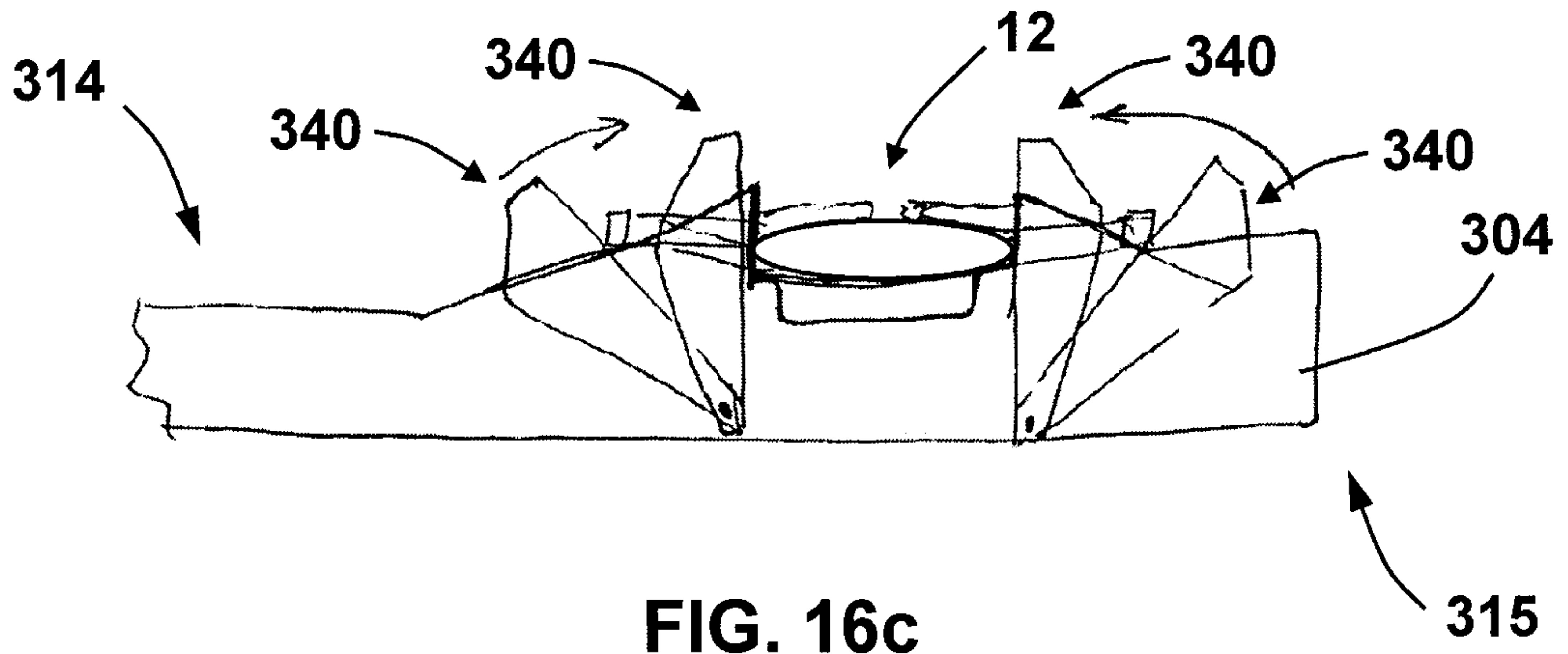


FIG. 16b





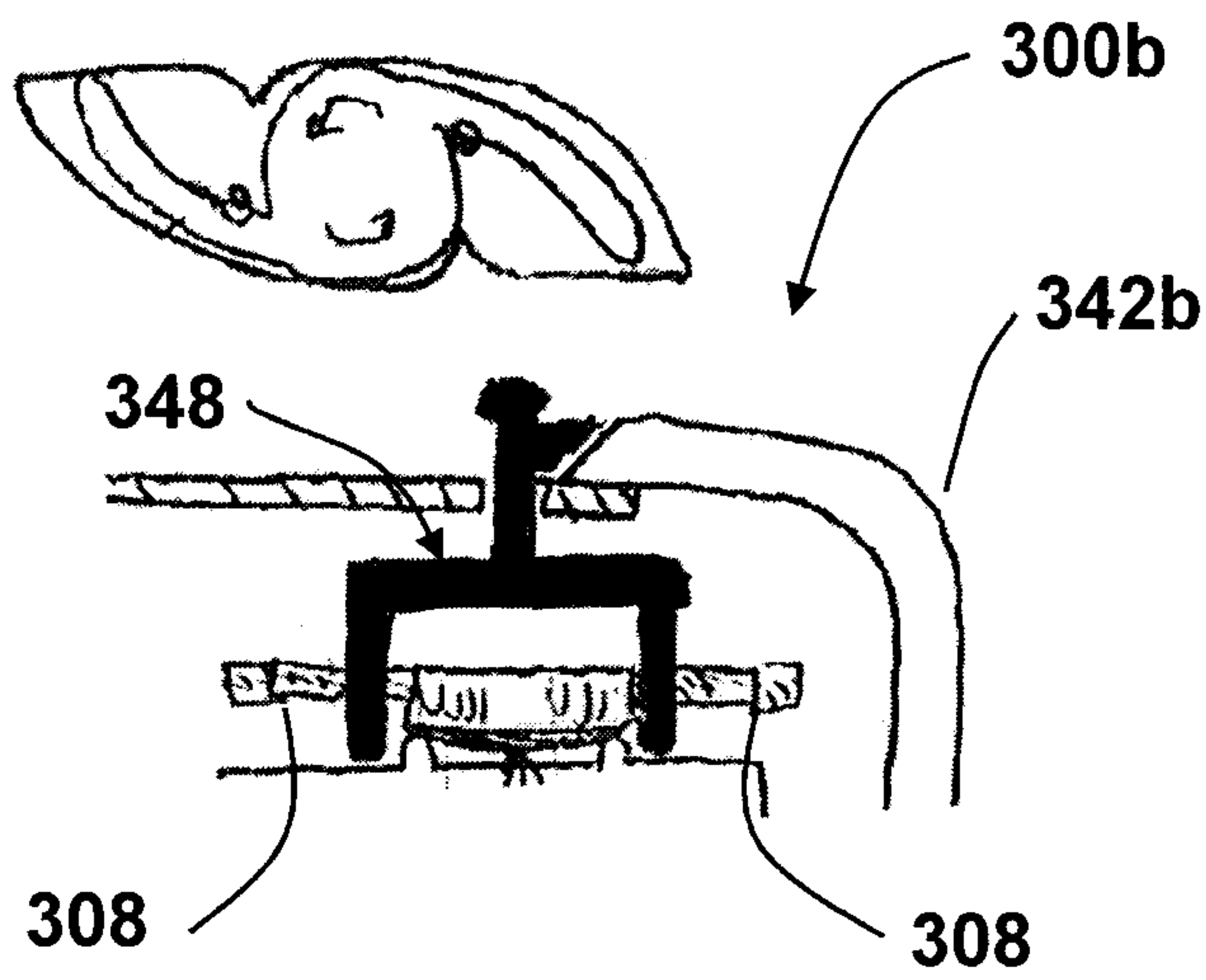


FIG. 18a

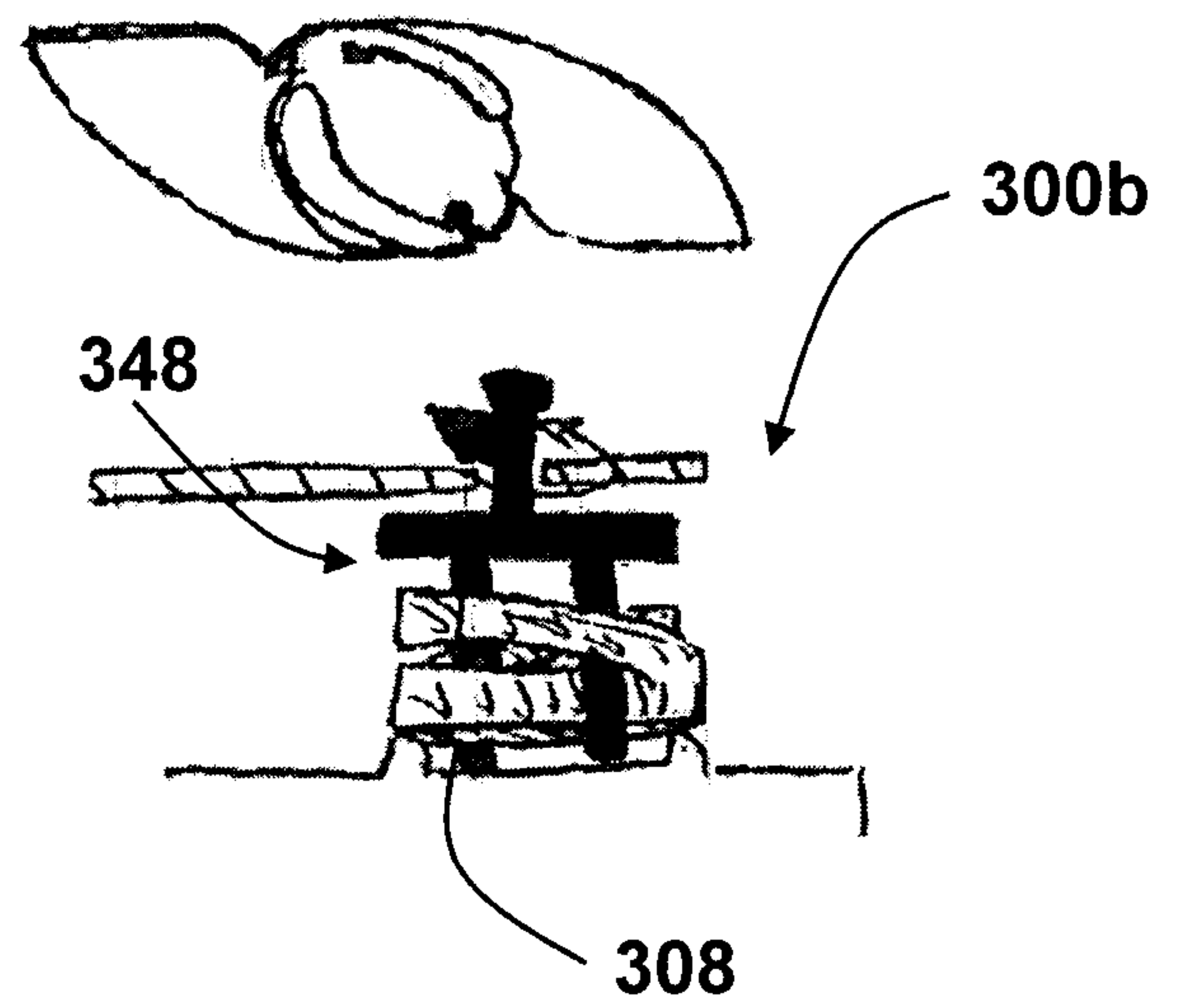


FIG. 18b

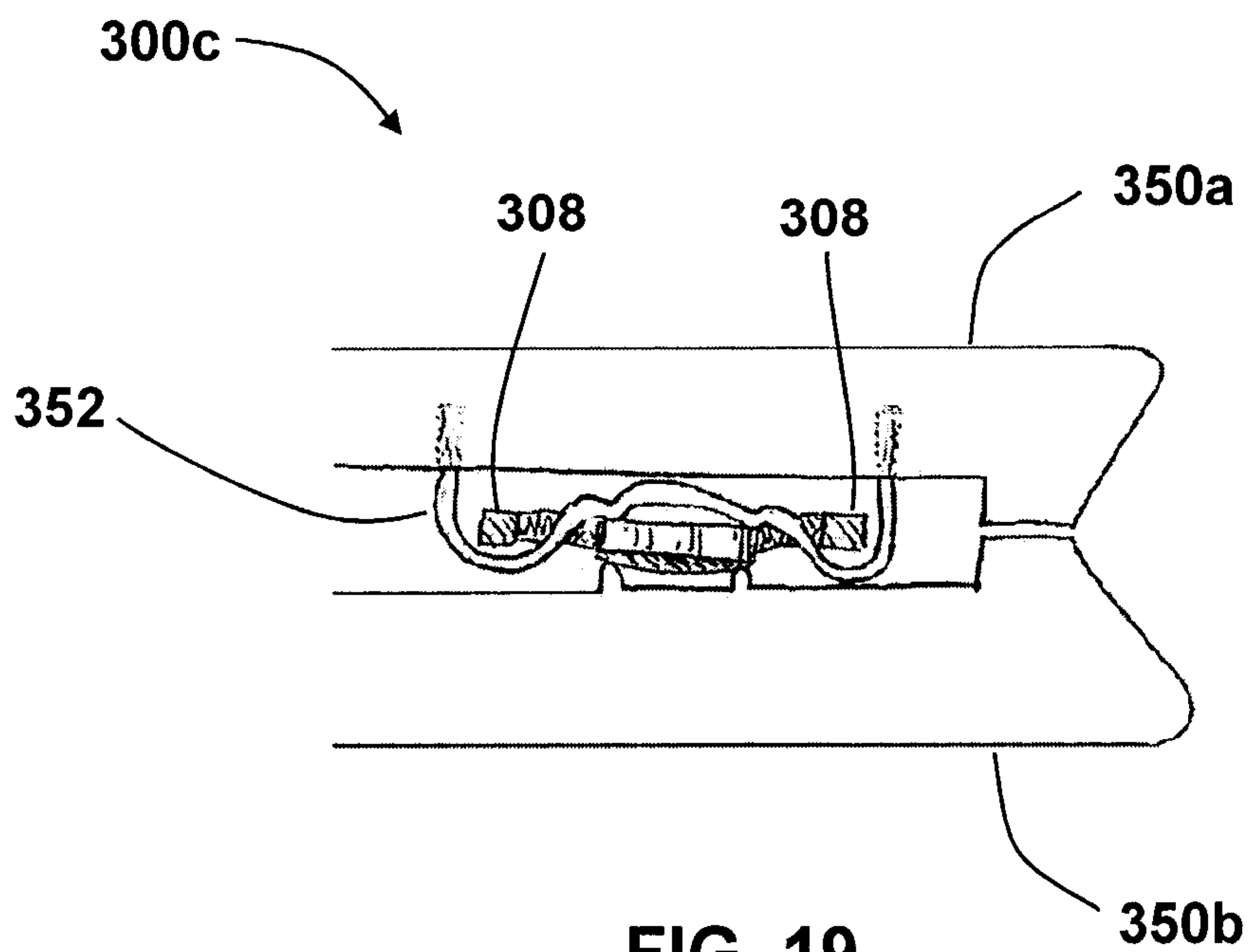


FIG. 19



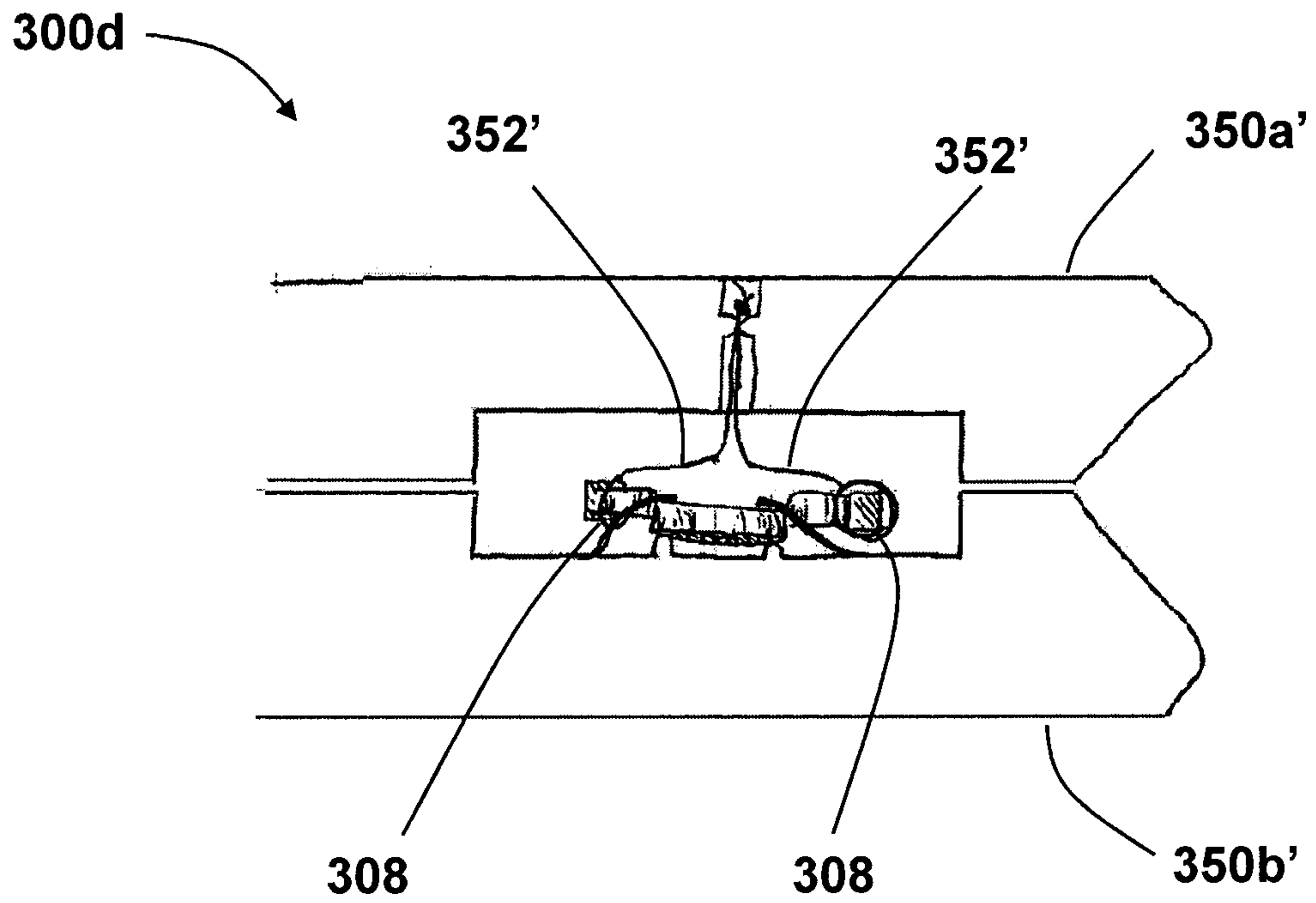


FIG. 20

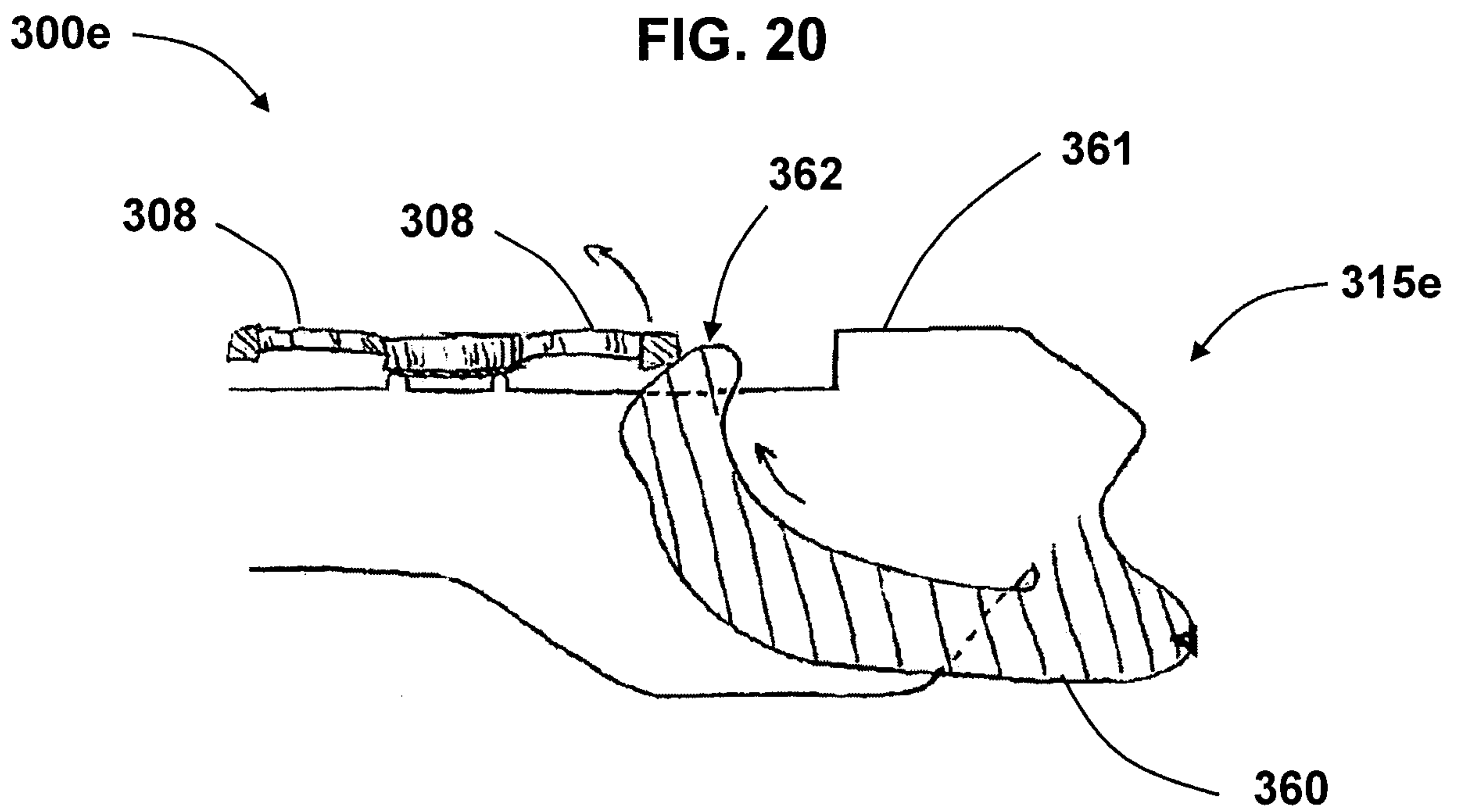


FIG. 21

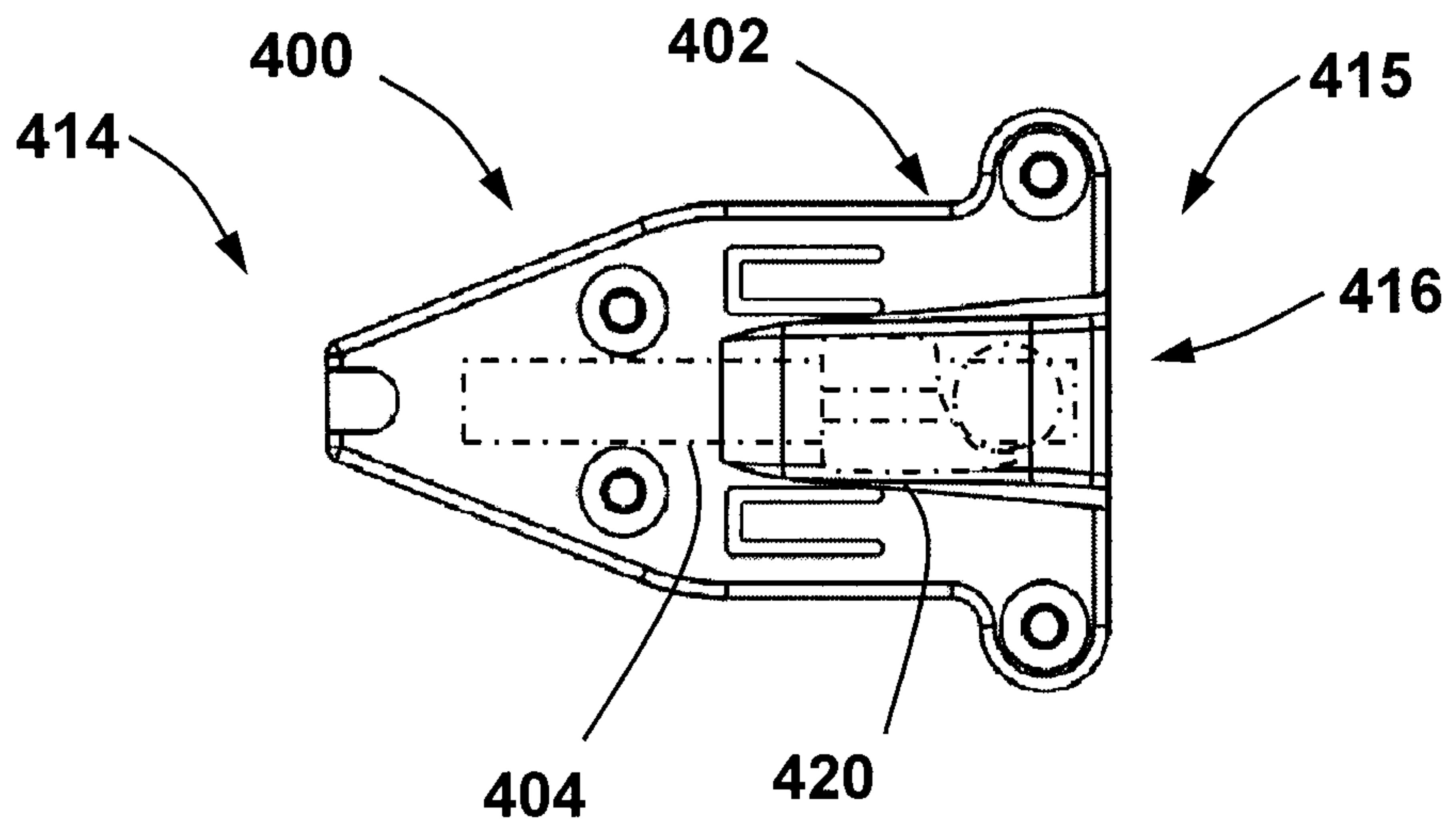


FIG. 22

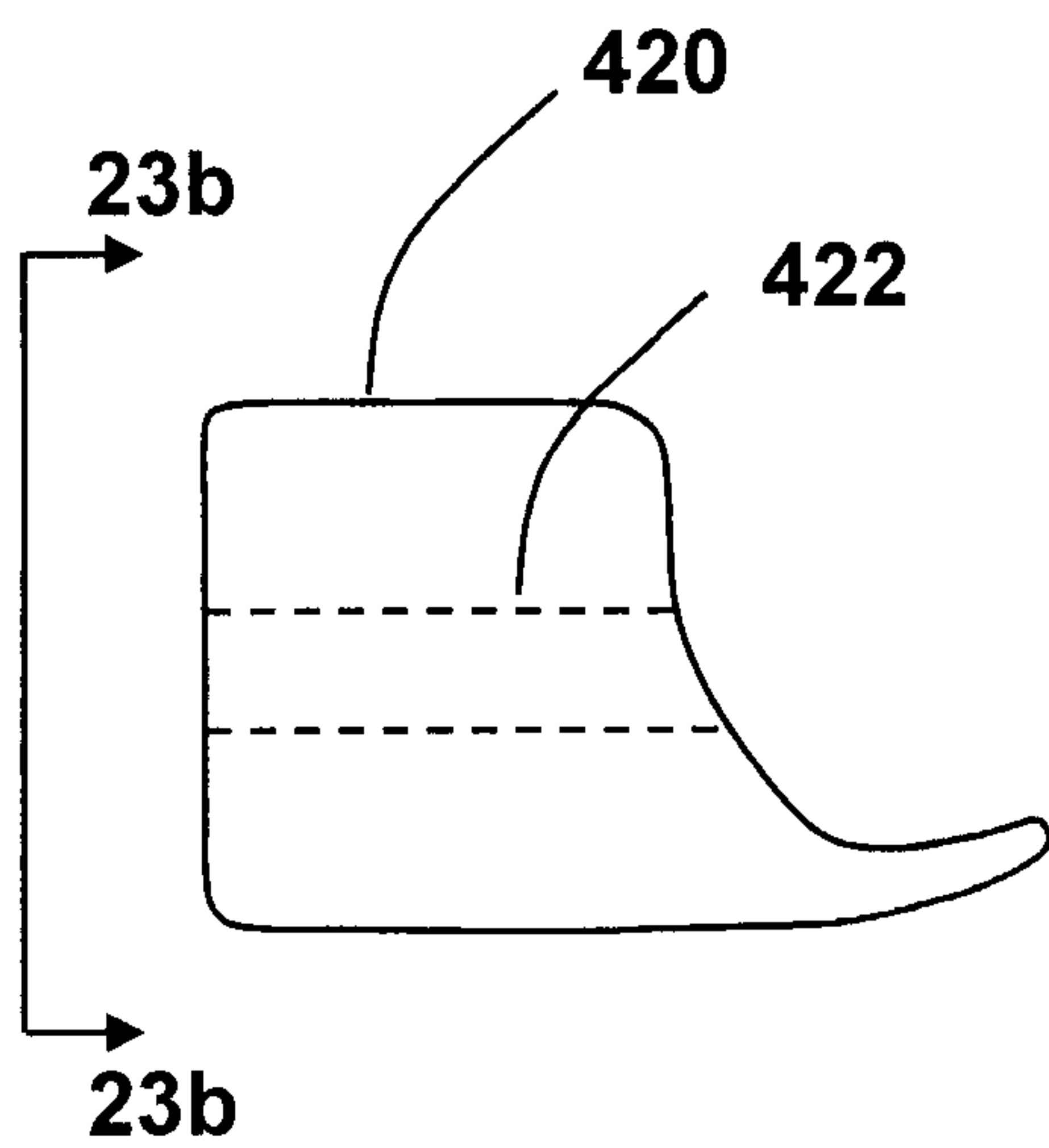


FIG. 23a

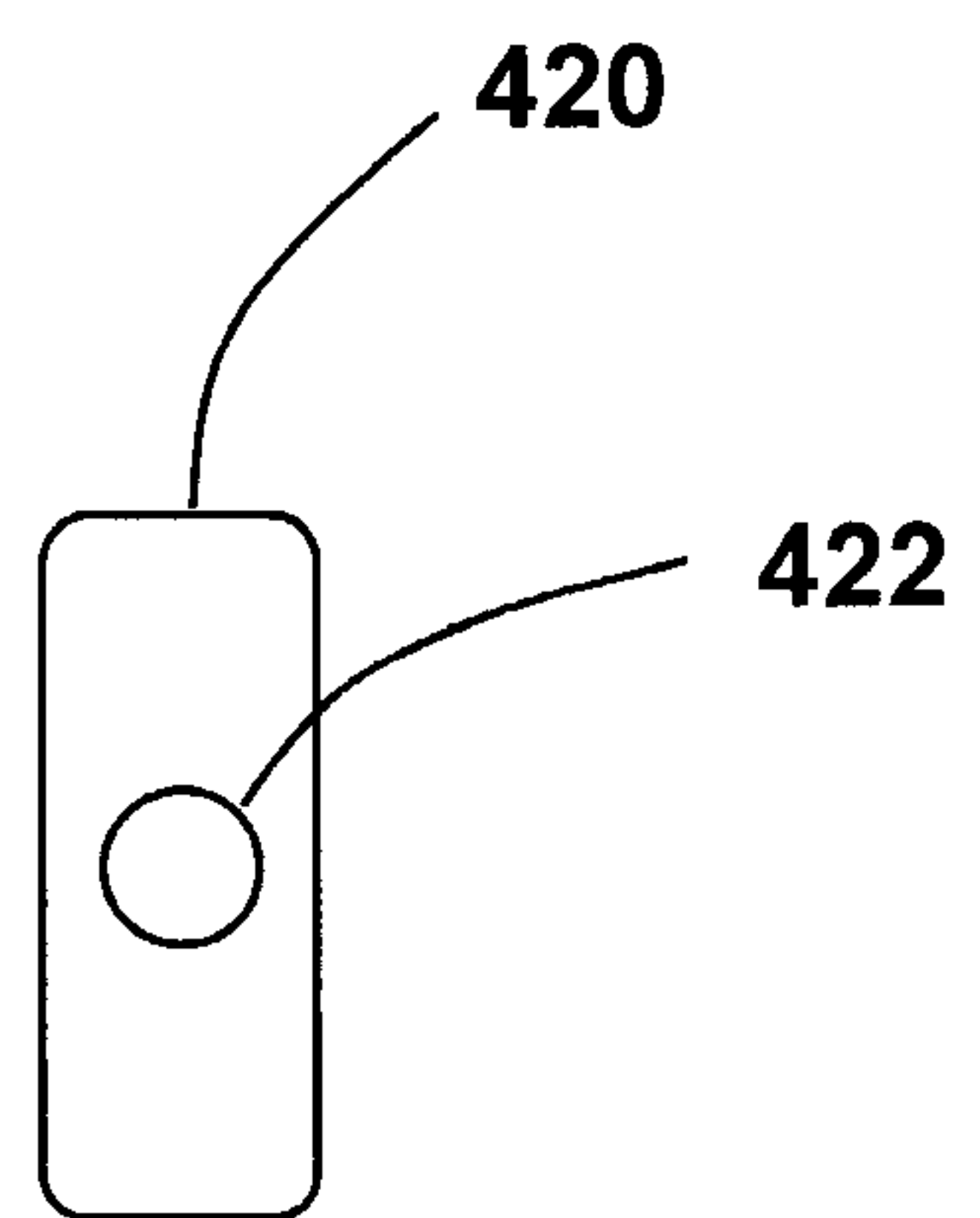


FIG. 23b



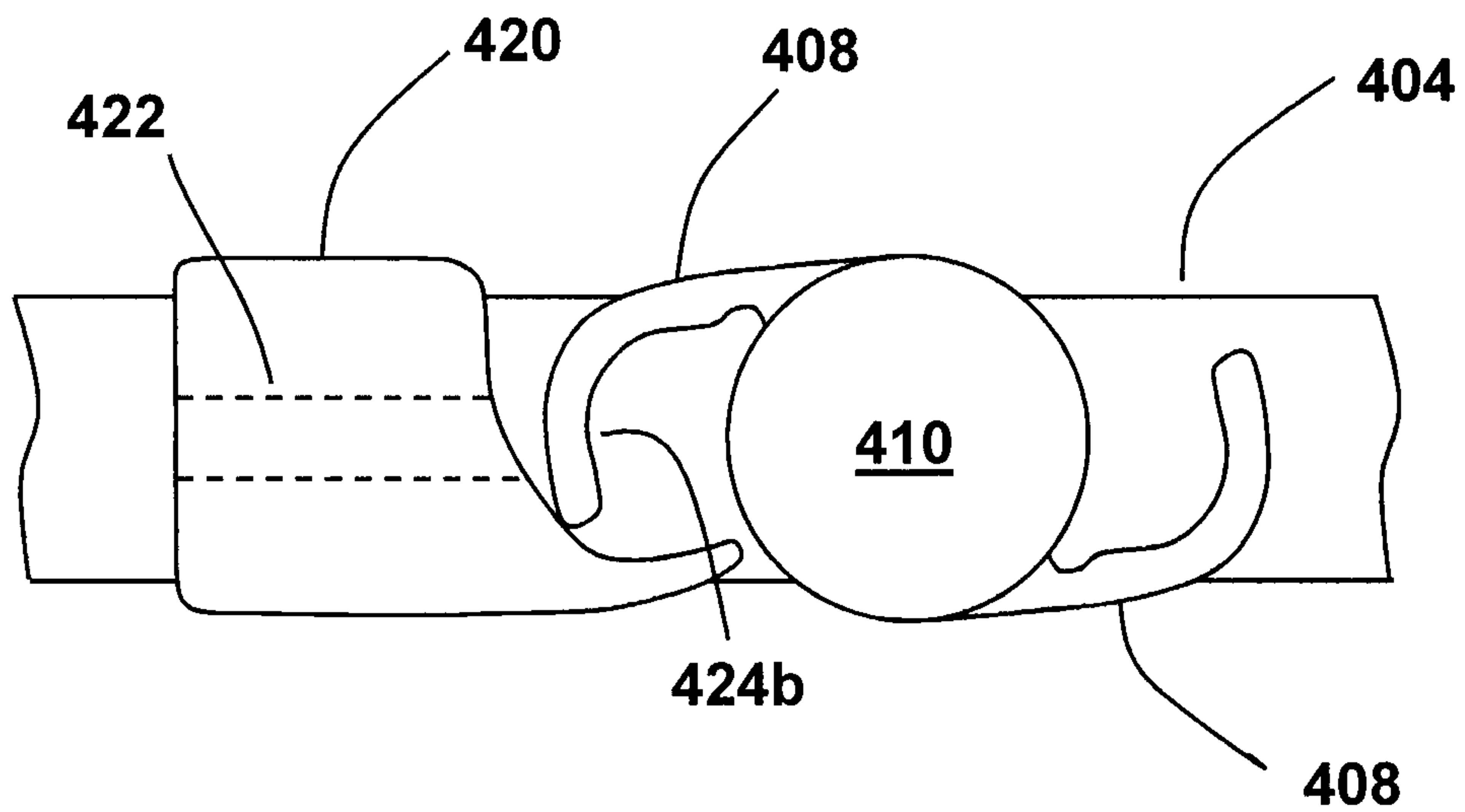


FIG. 24a

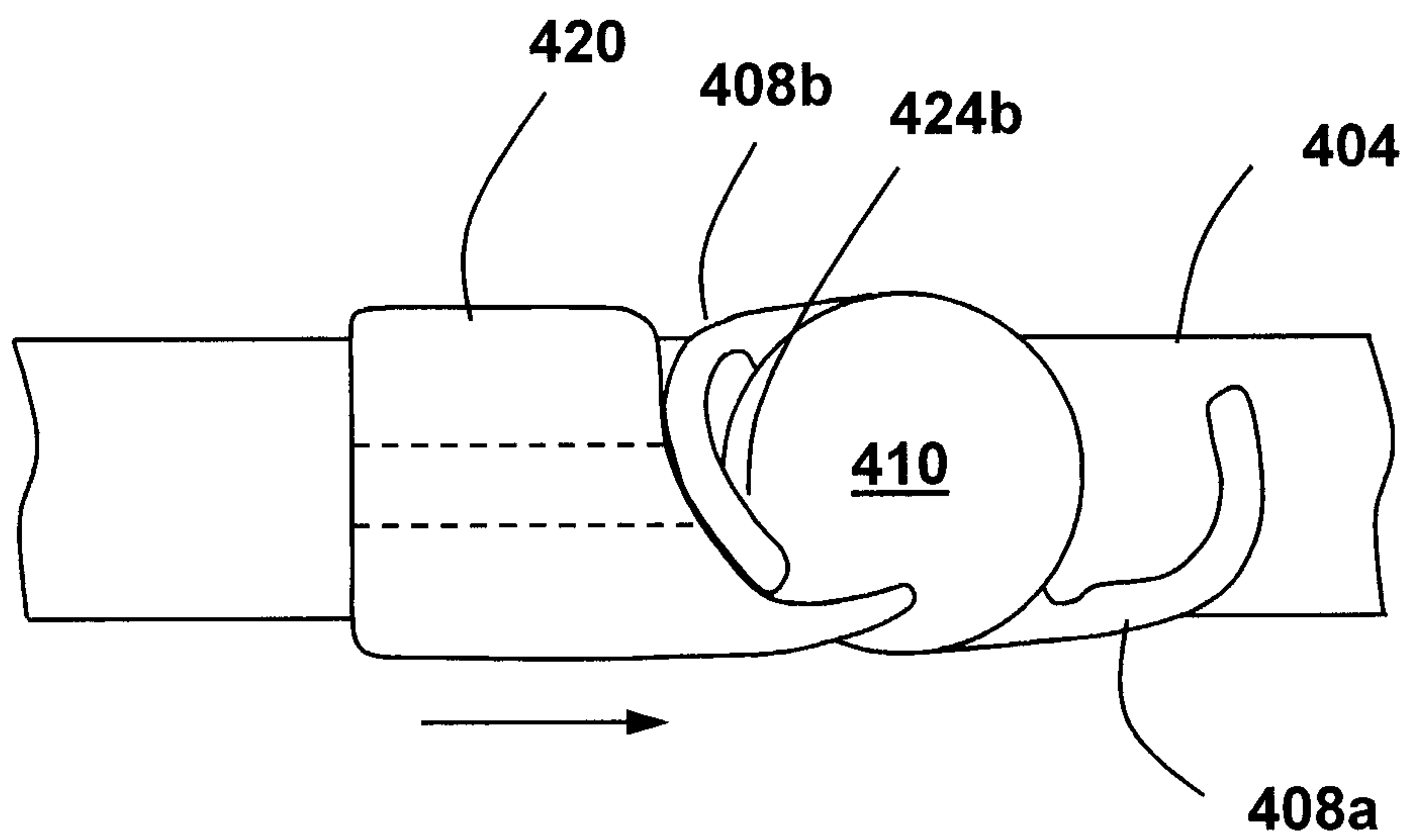


FIG. 24b

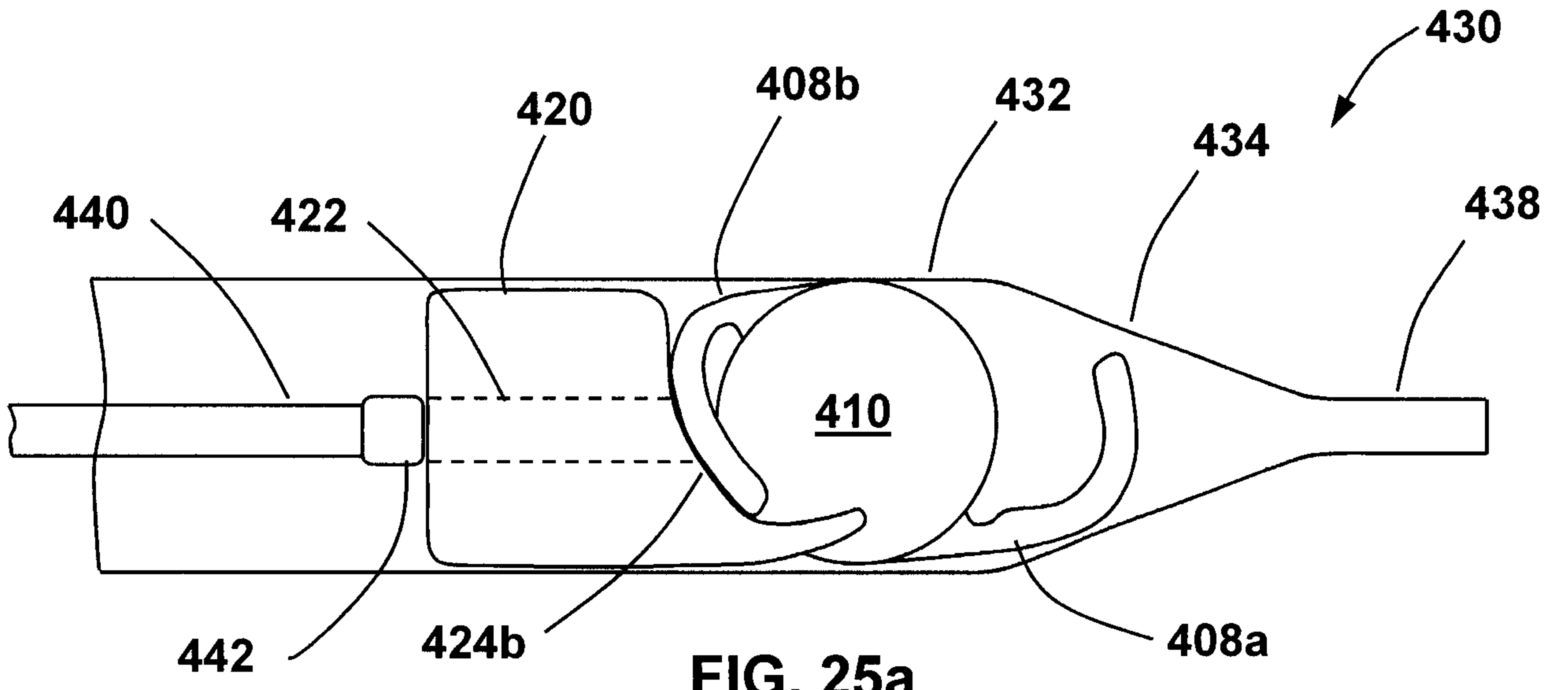


FIG. 25a

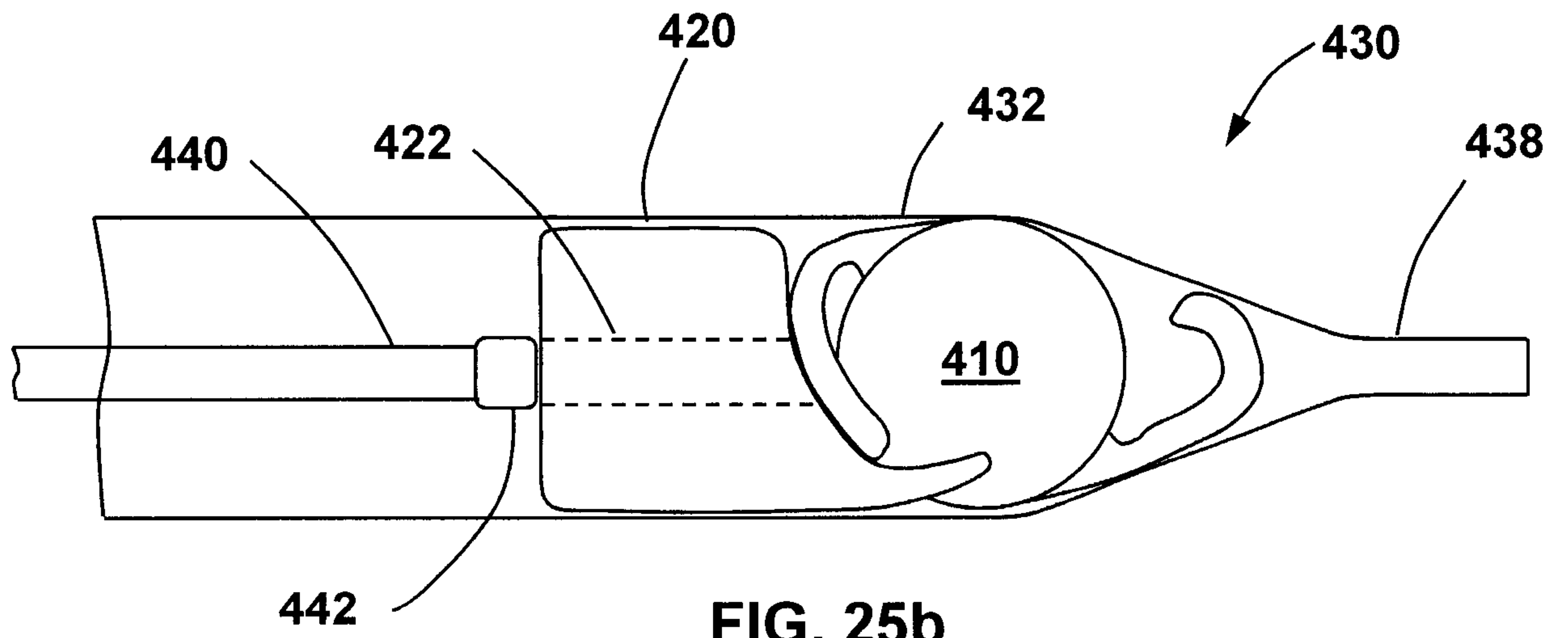


FIG. 25b

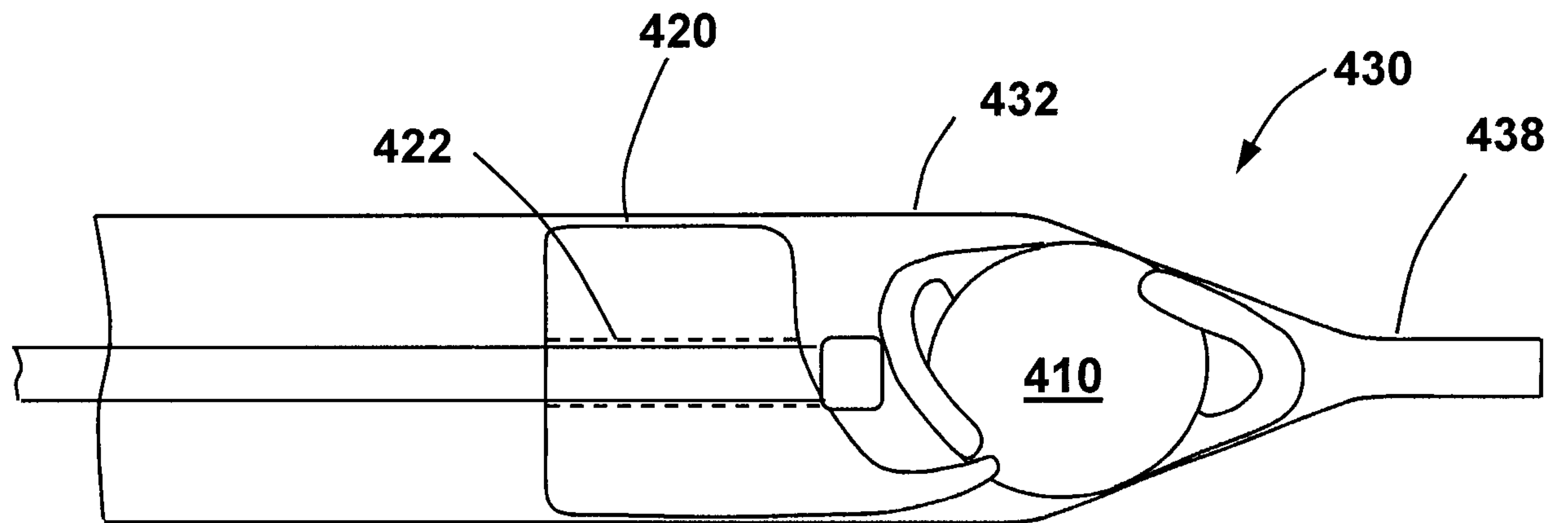


FIG. 25c



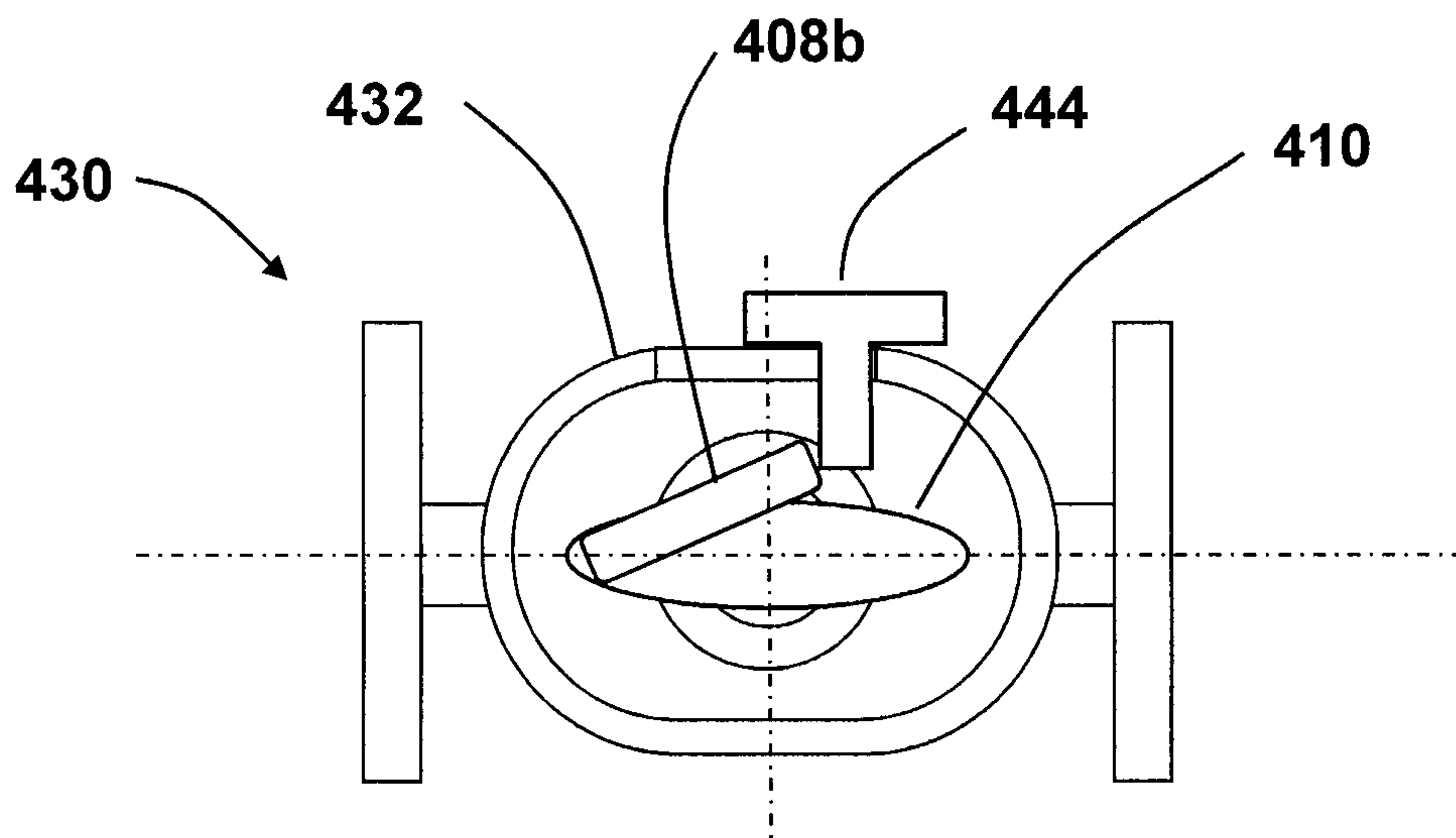


FIG. 26

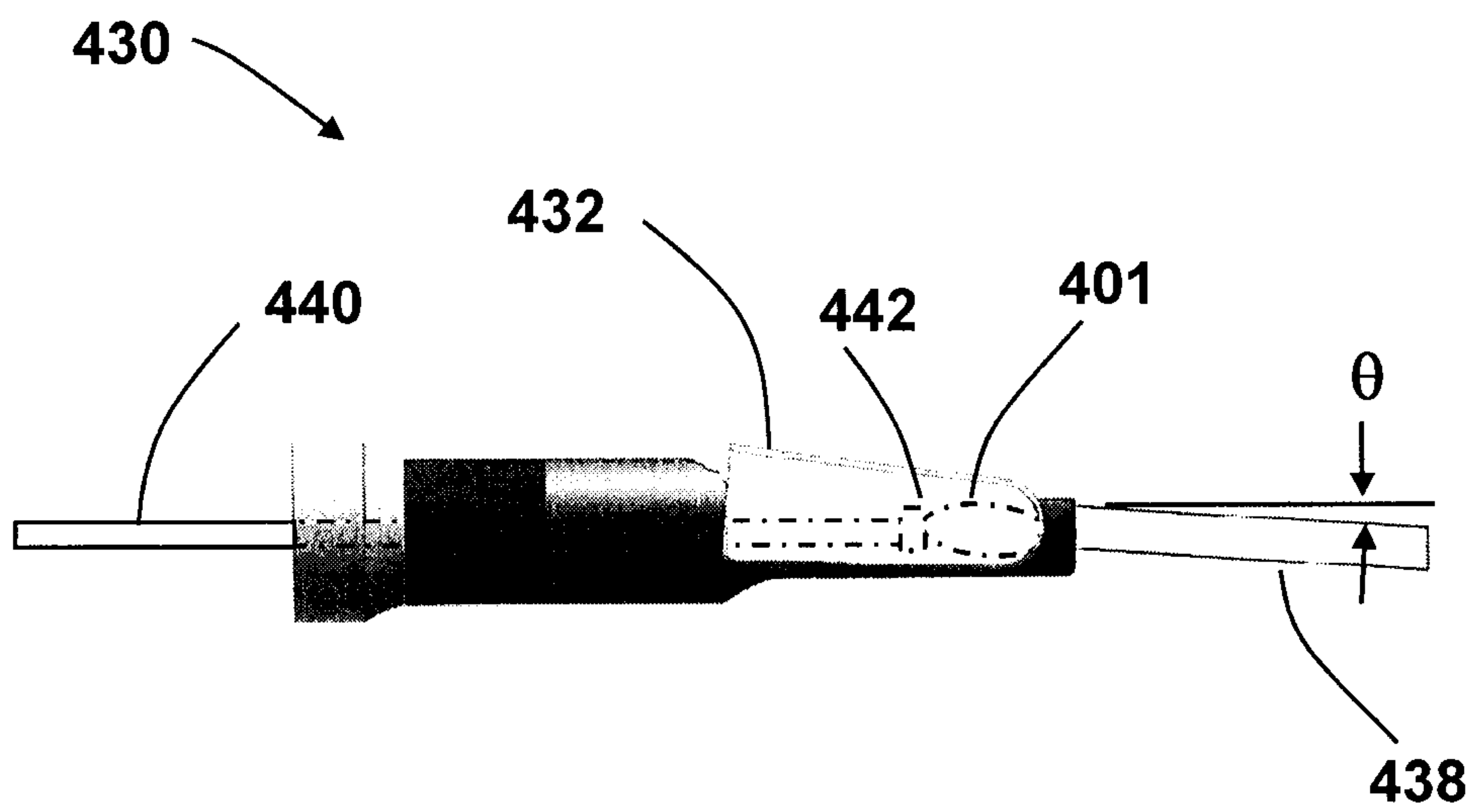
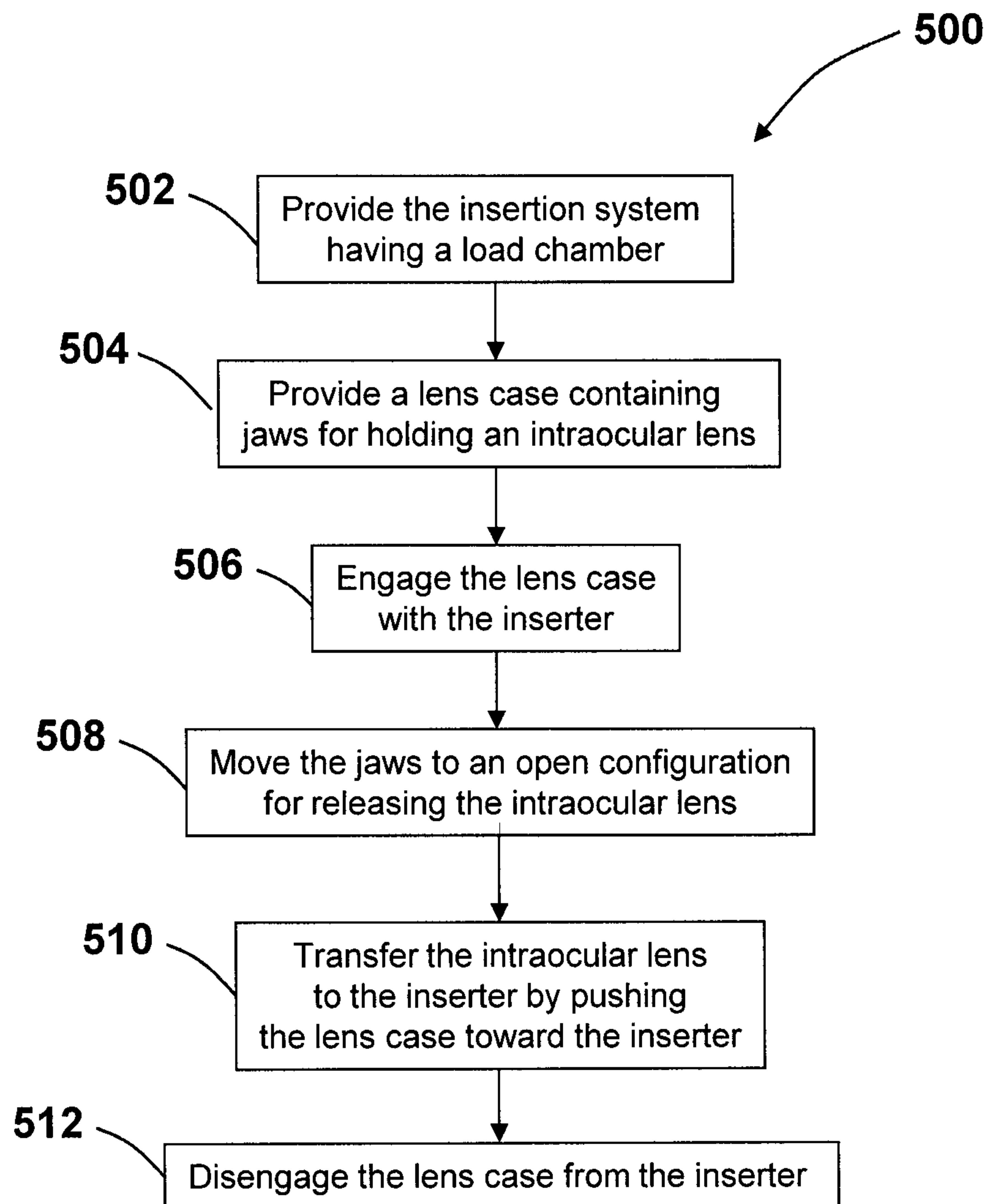


FIG. 27

**FIG. 28**



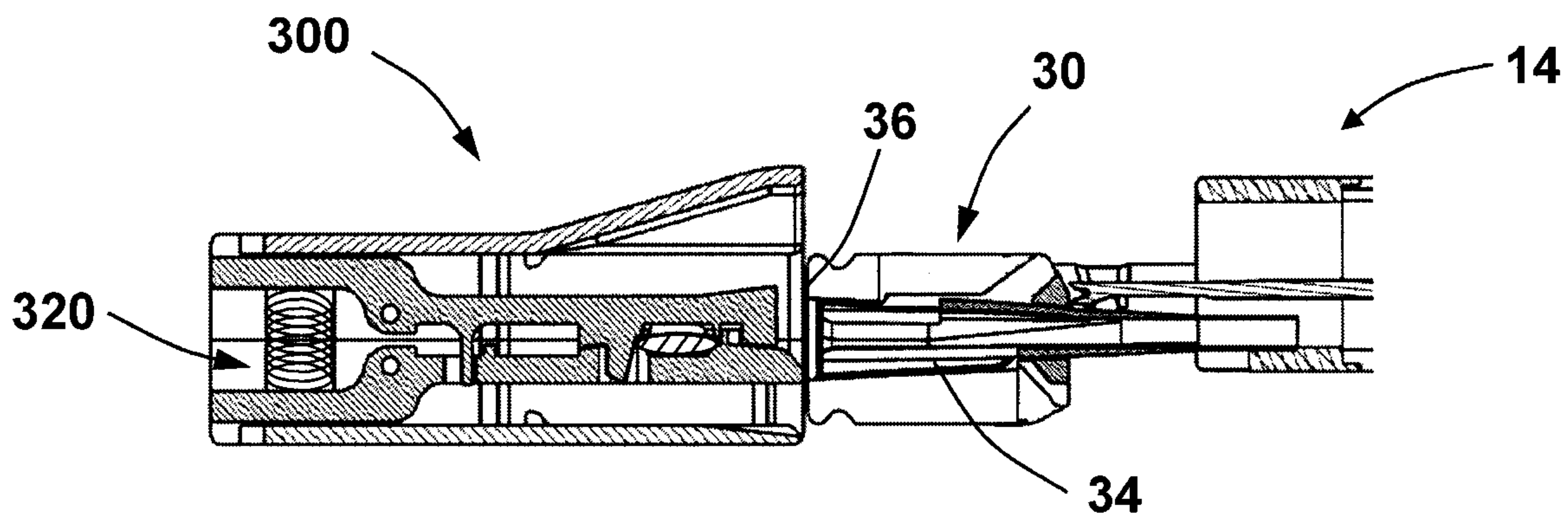


FIG. 29a

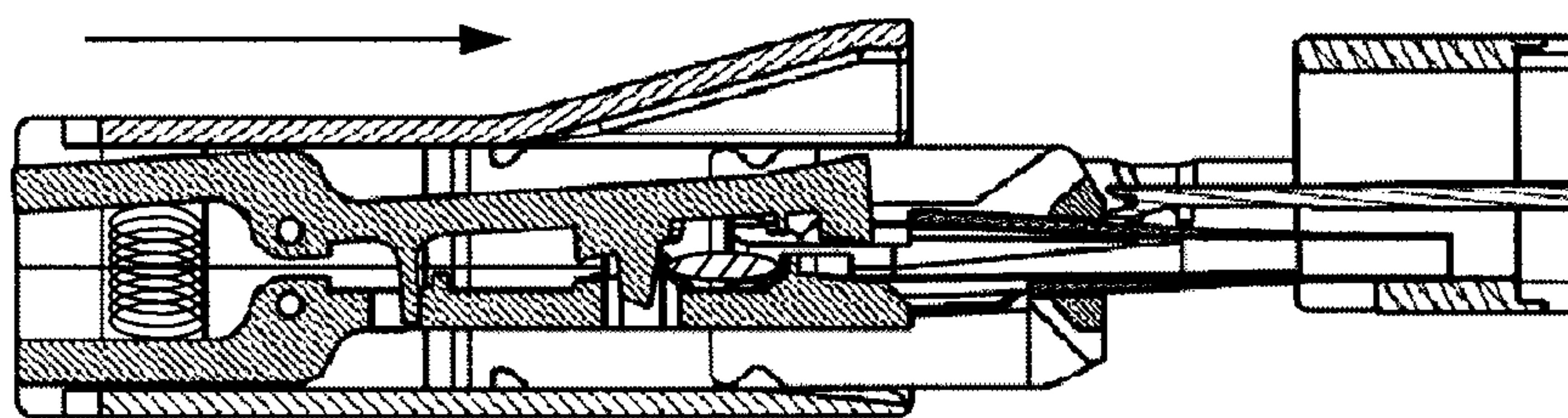


FIG. 29b

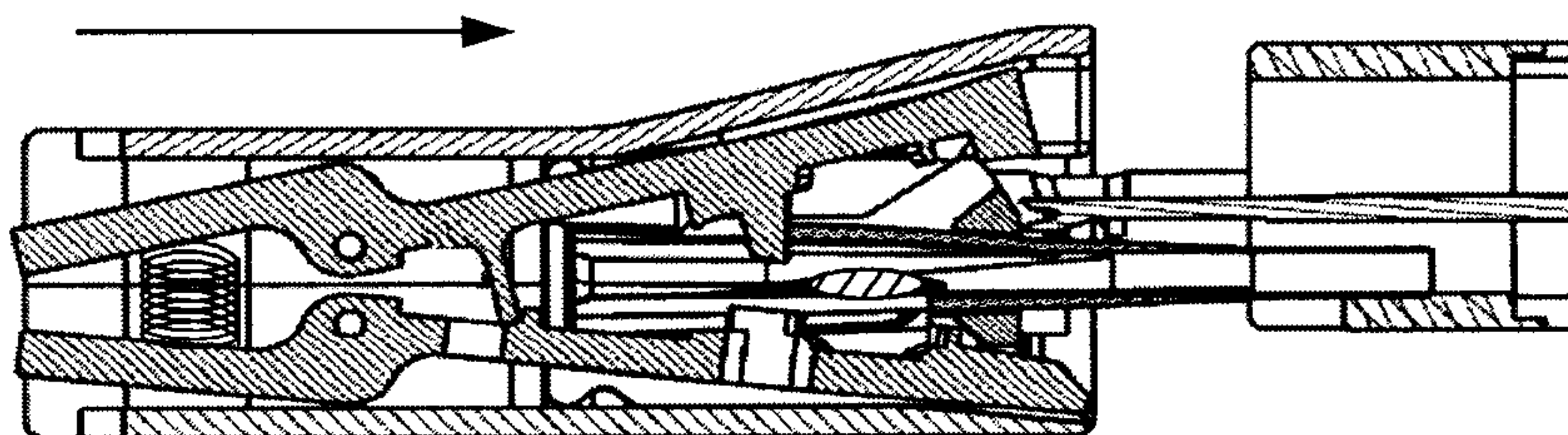


FIG. 29c

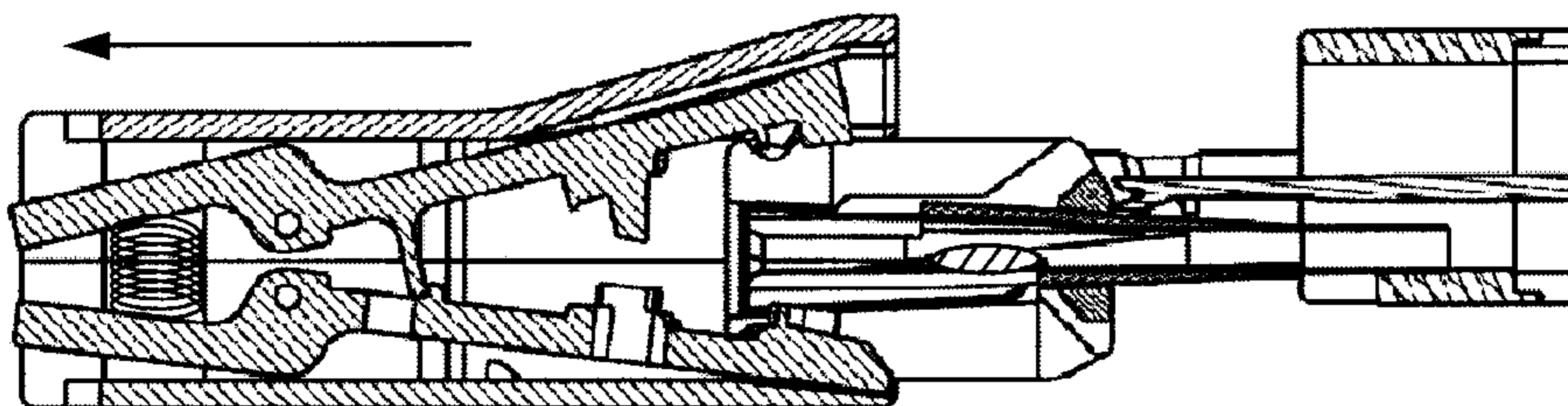
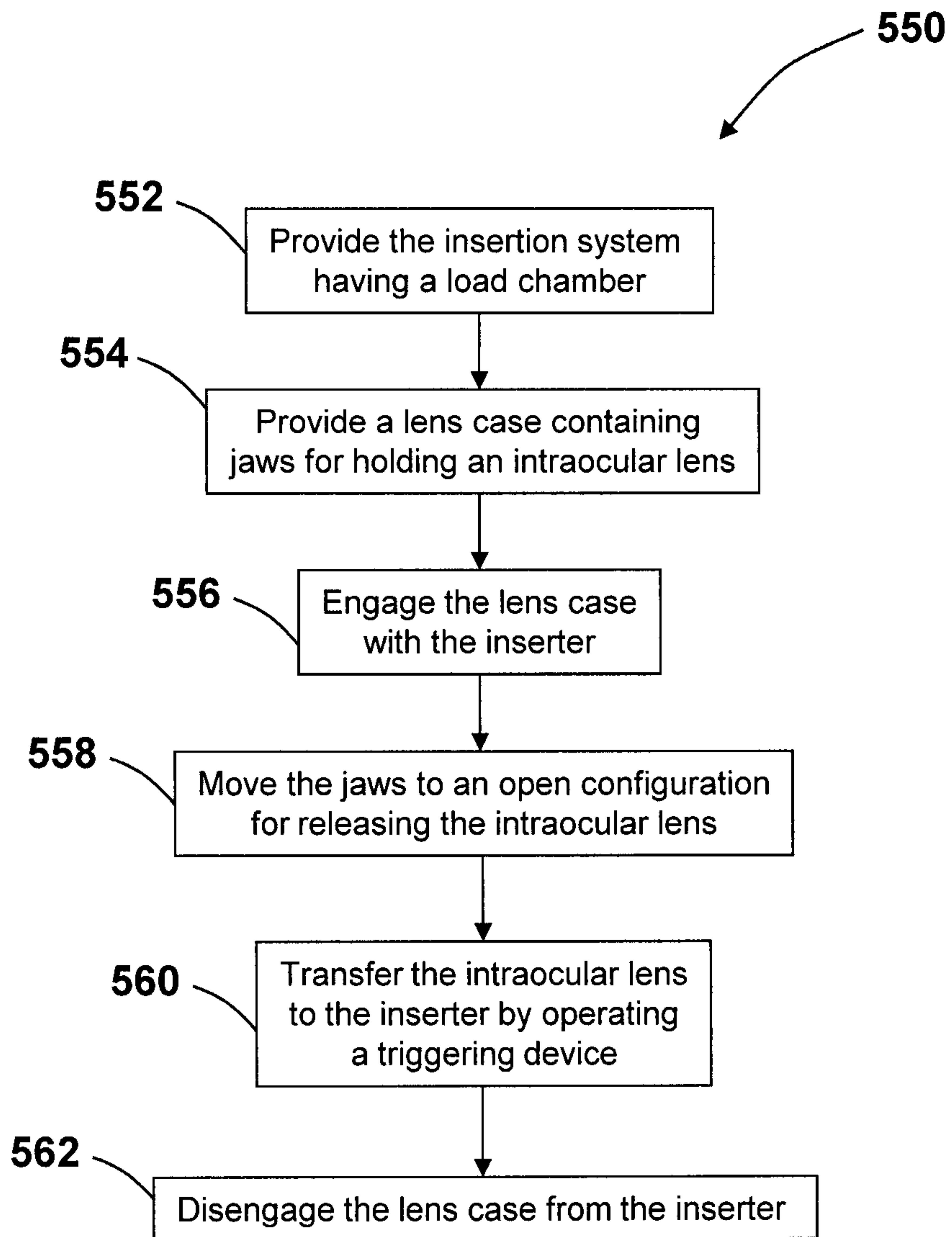
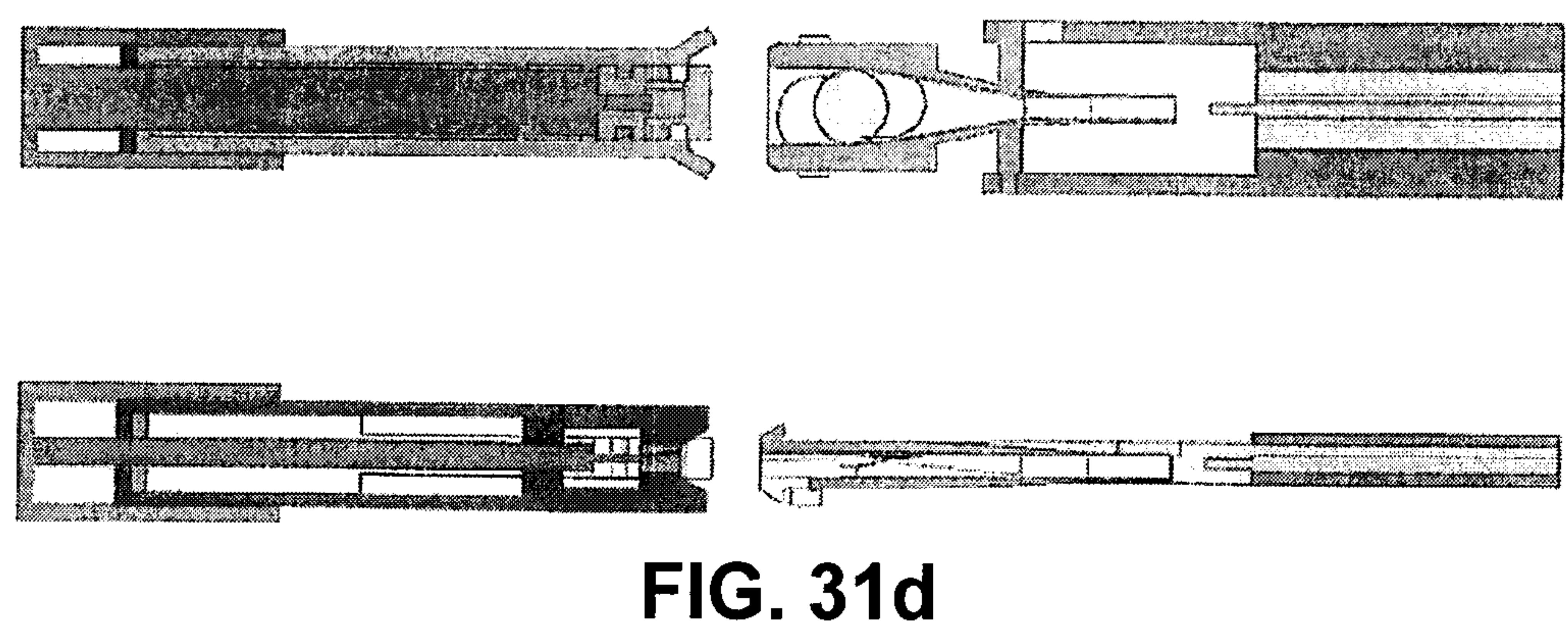
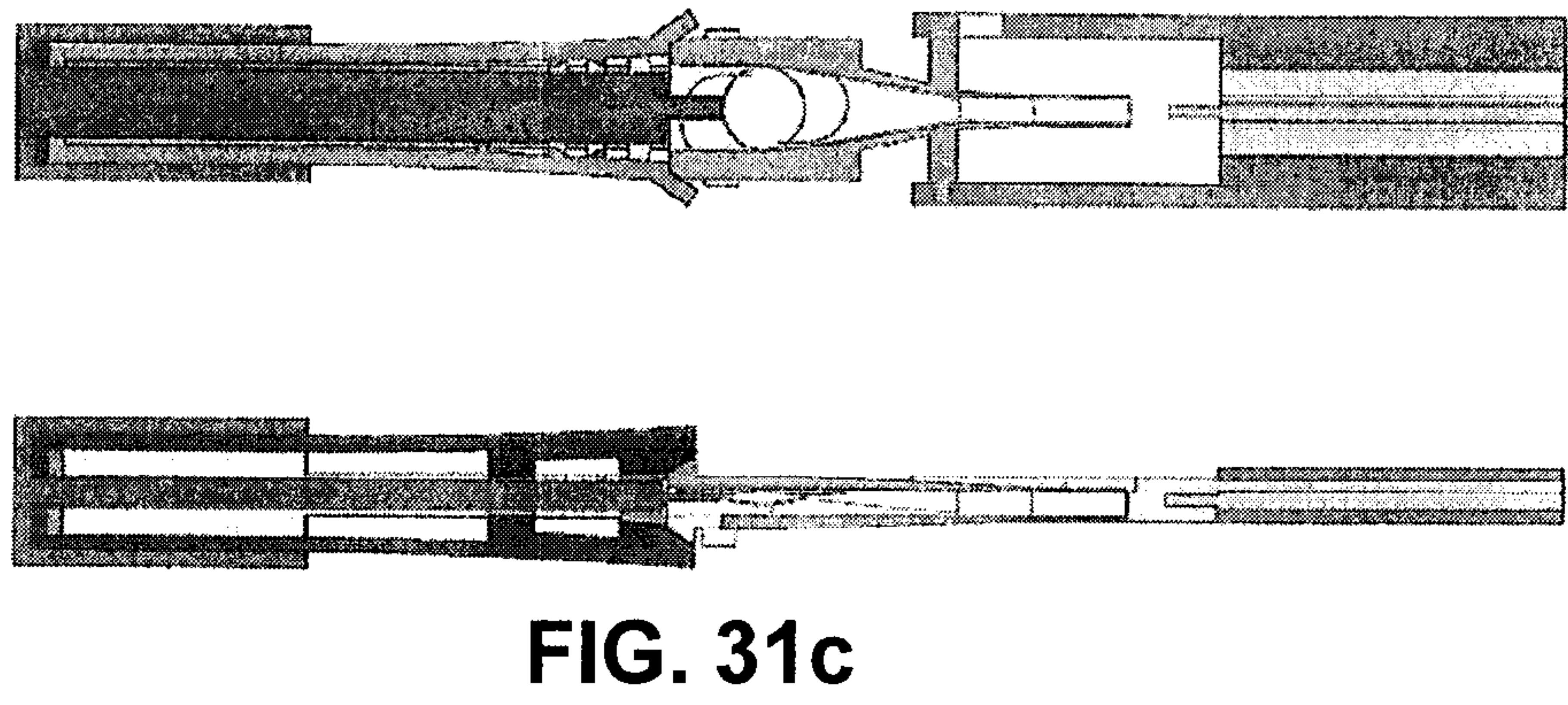
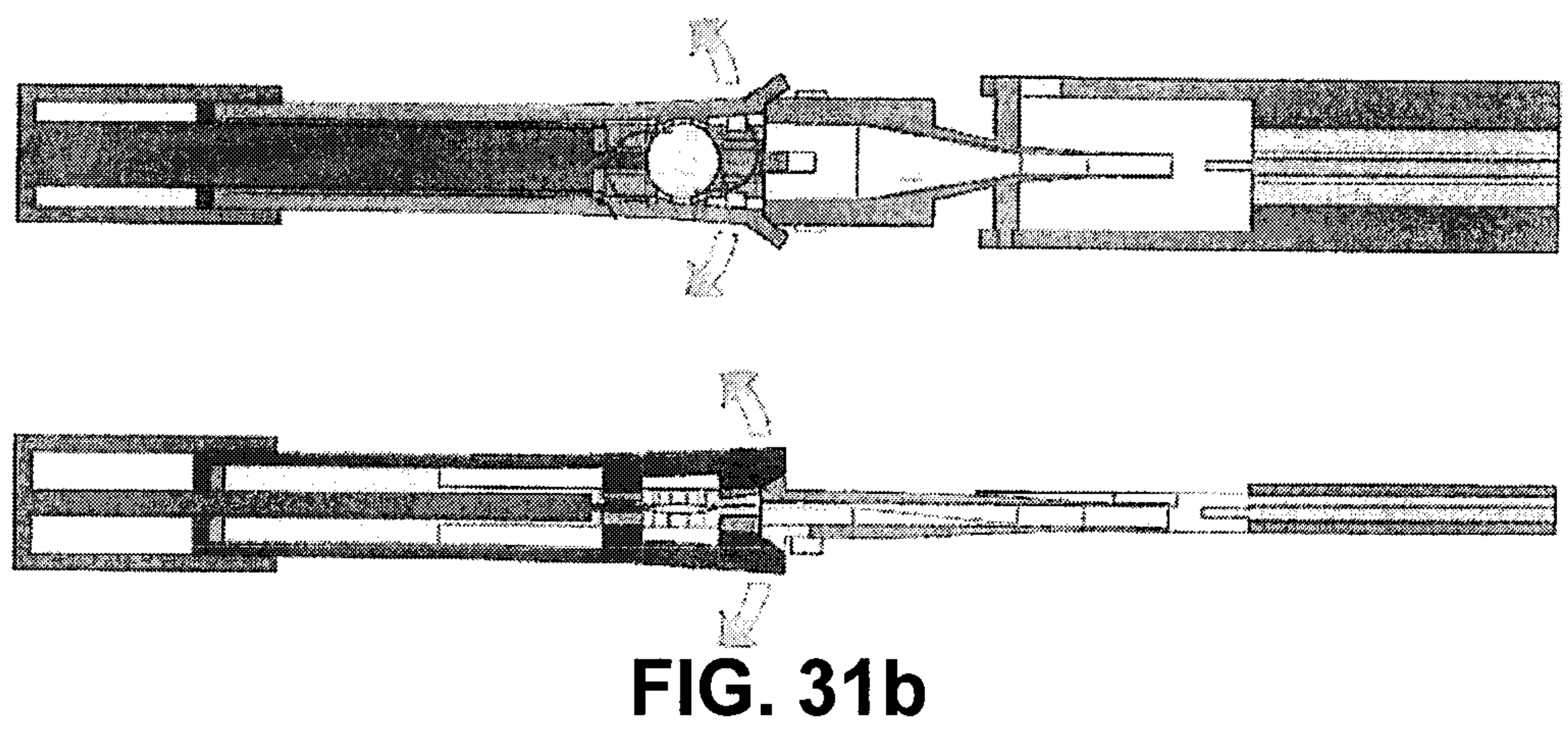
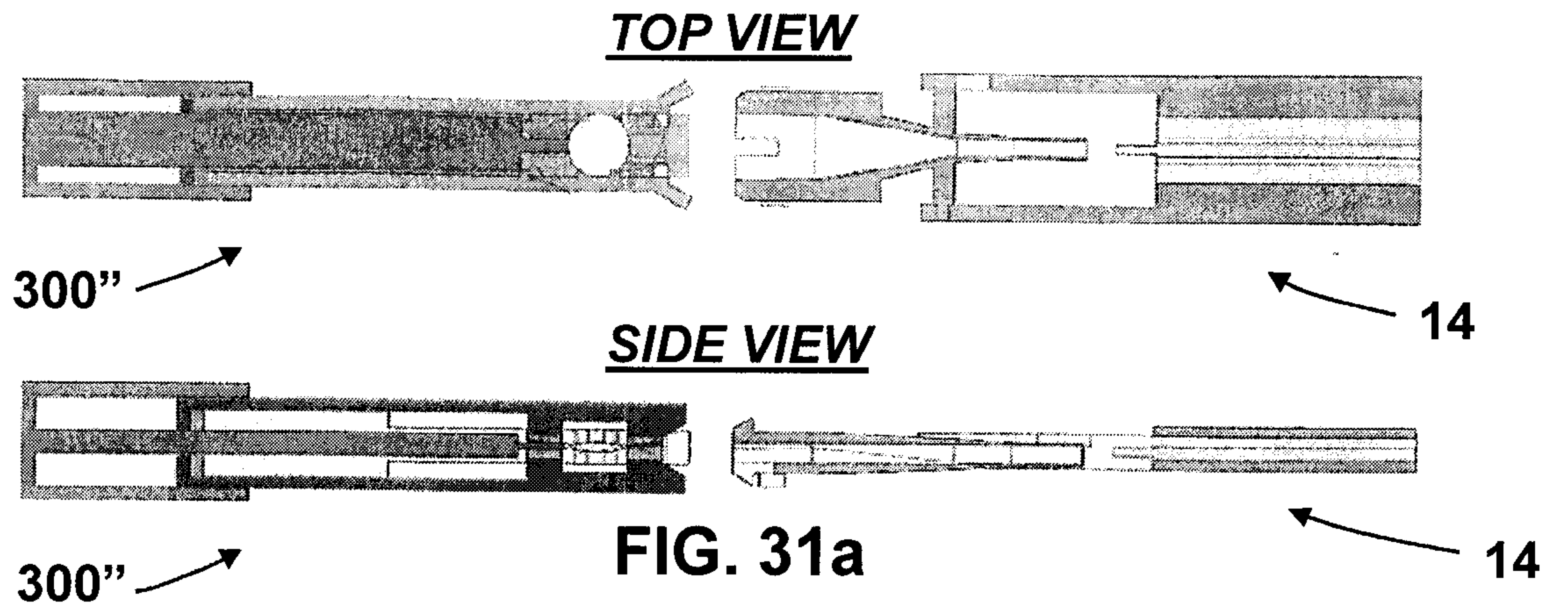


FIG. 29d



**FIG. 30**





324

