



US00D891147S

(12) **United States Design Patent**  
**Denby et al.**

(10) **Patent No.:** **US D891,147 S**

(45) **Date of Patent:** **\*\* Jul. 28, 2020**

(54) **PEG HOOK**

(71) Applicant: **Target Brands, Inc.**, Minneapolis, MN (US)

(72) Inventors: **Scott E. Denby**, Minneapolis, MN (US); **Sara L. Pedersen**, Minneapolis, MN (US)

(73) Assignee: **Target Brands, Inc.**, Minneapolis, MN (US)

(\*\*) Term: **15 Years**

(21) Appl. No.: **29/661,619**

(22) Filed: **Aug. 29, 2018**

(51) **LOC (12) Cl.** ..... **06-04**

(52) **U.S. Cl.**  
USPC ..... **D6/553**

(58) **Field of Classification Search**  
USPC ..... D6/553, 566, 571, 572; 211/87.01, 211/90.04, 59.1; 248/220.31, 205.3, 248/220.21, 301-304, 339; D8/21-28, D8/367, 354, 349, 373, 323, 356  
CPC .. A47K 1/09; F16B 2/06; F16B 21/02; F16M 13/02; F16M 11/041; F16M 13/00; A47G 1/00; A47G 25/00

See application file for complete search history.

(56) **References Cited**

**U.S. PATENT DOCUMENTS**

D354,675 S \* 1/1995 Bannister ..... D8/367  
D420,557 S \* 2/2000 Paris ..... D8/28

D742,726 S \* 11/2015 Glass ..... D8/367  
D804,219 S \* 12/2017 Hucks ..... D6/553  
D845,750 S \* 4/2019 Denby ..... D8/381  
D850,244 S \* 6/2019 Goodman ..... D8/367

\* cited by examiner

*Primary Examiner* — Wan Laymon  
*Assistant Examiner* — Mark Booker

(74) *Attorney, Agent, or Firm* — Leanne Taveggia Farrell; Westman, Champlin & Koehler, P.A.

(57) **CLAIM**

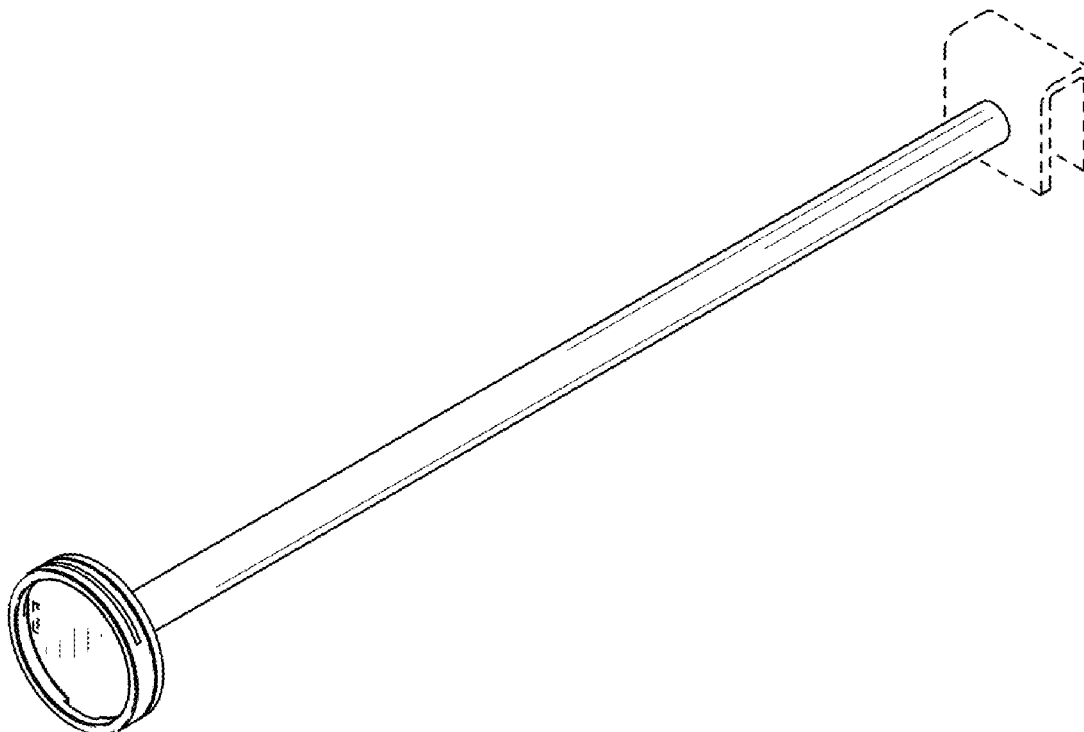
The ornamental design for a peg hook, as shown and described.

**DESCRIPTION**

FIG. 1 is a perspective view of a first embodiment of a peg hook showing our new design;  
FIG. 2 is a front view thereof;  
FIG. 3 is a right side view thereof, the left side view being a mirror image;  
FIG. 4 is a top view thereof;  
FIG. 5 is a perspective view of a second embodiment thereof;  
FIG. 6 is a front view of FIG. 5;  
FIG. 7 is a right side view of FIG. 5, the left side view being a mirror image; and  
FIG. 8 is a top view of FIG. 5.

The broken lines shown in the drawings are included for purposes of illustrating portions of the peg hook and form no part of the claimed design.

**1 Claim, 2 Drawing Sheets**



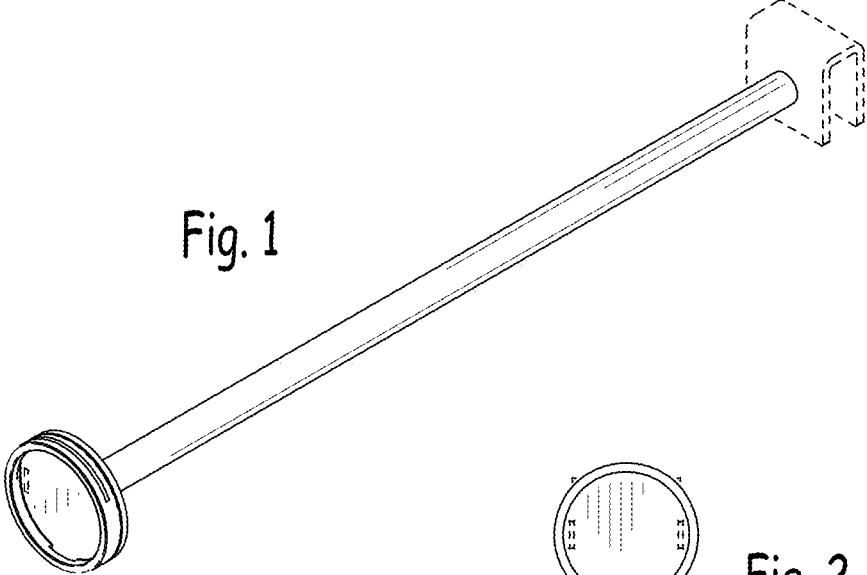


Fig. 1

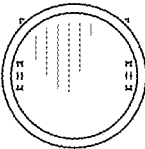


Fig. 2

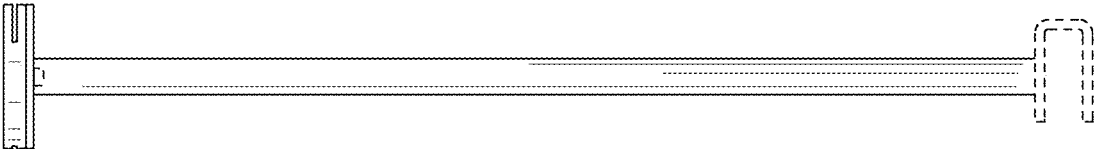


Fig. 3

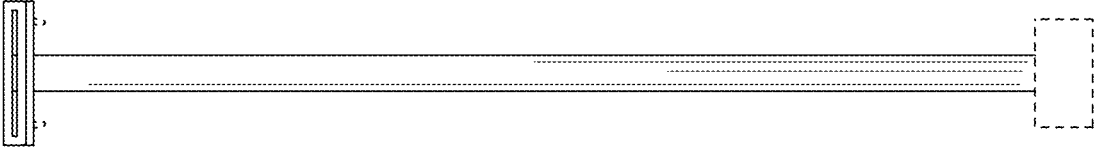


Fig. 4

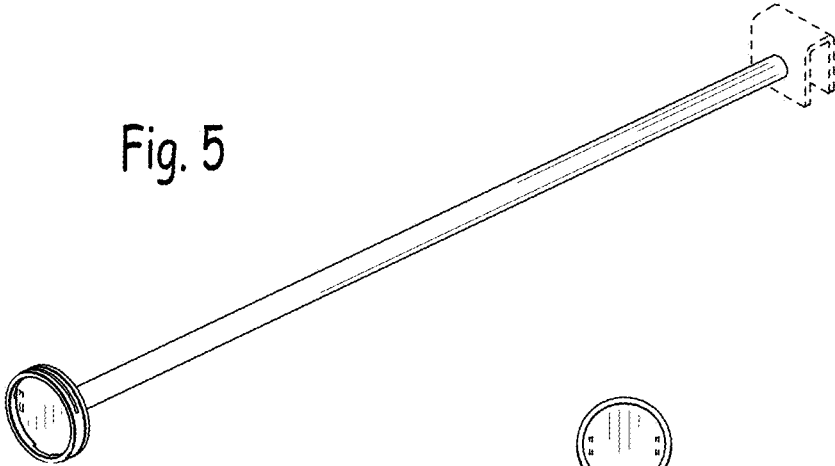


Fig. 5



Fig. 6

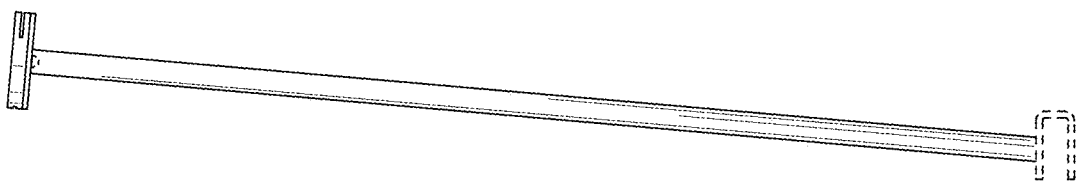


Fig. 7

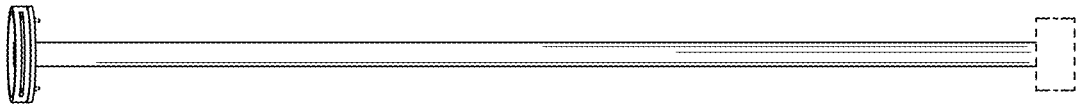


Fig. 8