



(12) **United States Design Patent**
Feng

(10) **Patent No.:** **US D1,001,767 S**
(45) **Date of Patent:** **** Oct. 17, 2023**

(54) **UVC STERILIZATION BOX WITH CHARGER AND CLOCK AND SPEAKER**

(71) Applicant: **Shenzhen Great Power Innovation and Technology Enterprise Co., Ltd.**, Shenzhen (CN)

(72) Inventor: **Winston Feng**, Shenzhen (CN)

(73) Assignee: **Shenzhen Great Power Innovation and Technology Enterprise Co., Ltd.**

(**) Term: **15 Years**

(21) Appl. No.: **29/752,953**

(22) Filed: **Sep. 29, 2020**

(51) **LOC (14) Cl.** **24-02**

(52) **U.S. Cl.**
USPC **D24/217; D14/204; D13/107**

(58) **Field of Classification Search**
USPC D24/209, 210, 217; D13/107; D10/15; D14/140, 170, 171, 172, 204, 209.1
CPC A61L 2/26; A61L 2/10; A61L 2/07; A61L 2/18; A61L 2/025; A61L 2/024; A61L 2202/01; A61L 2202/11; A61L 2202/23; A61L 2202/24; A61L 2202/122; A61L 2202/14; A61L 2202/182; H04R 1/02; H04R 1/06; H04R 1/021; H04R 1/025; H04R 1/026; H04R 1/028; H04R 1/105; H04R 1/323; H04R 1/403; H04R 1/2803; H04R 1/2834; H04R 5/02; H04R 7/20; H04R 9/06; H04R 9/025; H04R 2201/021; H04R 2201/07; H04R 2499/11; H04R 2499/13; H04R 2499/15; H04M 1/6033; H04M 1/6041; H04M 9/08; H04M 9/082; H04M 3/567; H04S 3/00; H04S 7/30

See application file for complete search history.

(56) **References Cited**

U.S. PATENT DOCUMENTS

D854,705	S	*	7/2019	Ouyang	D24/217
D885,603	S	*	5/2020	Zhang	D24/217
D886,786	S	*	6/2020	Chen	D14/204
D893,740	S	*	8/2020	Lv	D24/217
D898,590	S	*	10/2020	Long	D10/2
D900,333	S	*	10/2020	Xie	D24/217
D914,234	S	*	3/2021	Yi	D24/217
D924,428	S	*	7/2021	Chen	D24/217
D925,762	S	*	7/2021	LaPorte	D24/217
D953,257	S	*	5/2022	Feng	D13/107
D957,668	S	*	7/2022	Ou Yang	D24/217
D957,670	S	*	7/2022	Sze	D24/217
D991,210	S	*	7/2023	Matarese	D14/204

(Continued)

OTHER PUBLICATIONS

iHome IUVBT1. iHome, amazon.com (online) 6 pages. Posted Sep. 17, 2020. [Retrieved Jun. 13, 2023] <https://a.co/d/gC2vNkB> (Year: 2020)*

(Continued)

Primary Examiner — Rebekah A Caruso
Assistant Examiner — Cole Sanders Holman

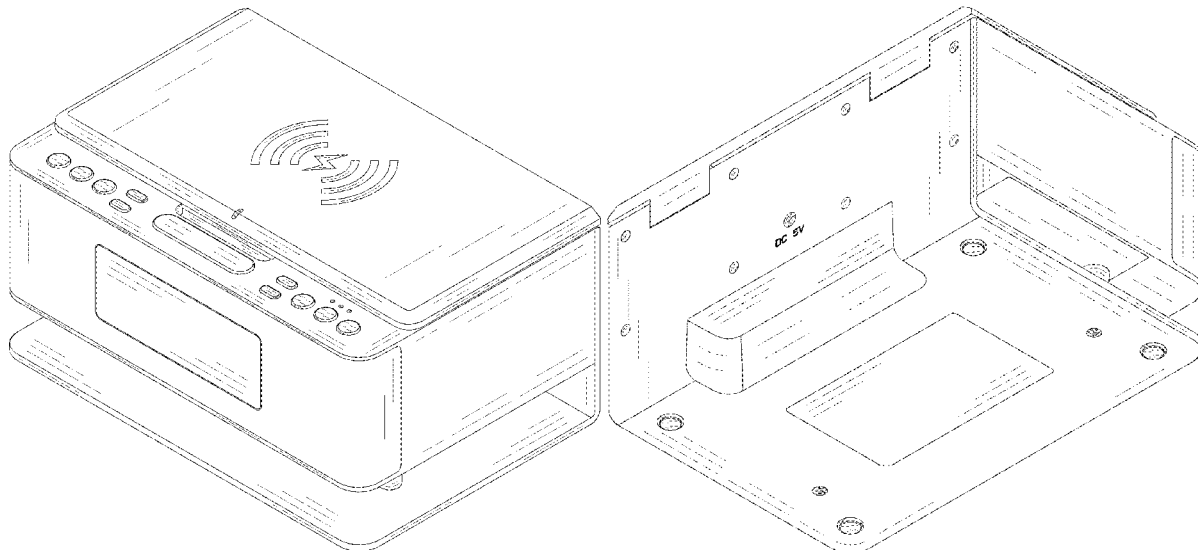
(57) **CLAIM**

The ornamental design for an UVC sterilization box with charger and clock and speaker, as shown and described.

DESCRIPTION

FIG. 1 is a front view of the UVC sterilization box with charger and clock and speaker showing my new design; FIG. 2 is a back view thereof; FIG. 3 is a left side view thereof; FIG. 4 is a right side view thereof; FIG. 5 is a top view thereof; FIG. 6 is a bottom view thereof; FIG. 7 is a perspective view thereof; and, FIG. 8 is another perspective view thereof.

1 Claim, 8 Drawing Sheets



(56)

References Cited

U.S. PATENT DOCUMENTS

D992,842 S * 7/2023 Yao D24/217
2020/0390917 A1* 12/2020 Tang A61L 2/10

OTHER PUBLICATIONS

UV Light Sanitizer Box. Knizen, amazon.com (online) 6 pages. Posted Apr. 26, 2021. [Retrieved Jun. 13, 2023] <https://a.co/d/dLny30l> (Year: 2021).*

RCA Dual Alarm Clock with UVC Sanitizer. RCA, amazon.com (online) 5 pages. Posted Jan. 11, 2021. [Retrieved Jun. 13, 2023] <https://a.co/d/azahNlc> (Year: 2021).*

Stereo Alarm Clock with UVC Sanitizer. Surface, surface-clean.com (online) 3 pages. Posted Unknown. [Retrieved Jun. 13, 2023] <https://www.surface-clean.com/products/?sku=SUVC300> (Year: NA).*

* cited by examiner

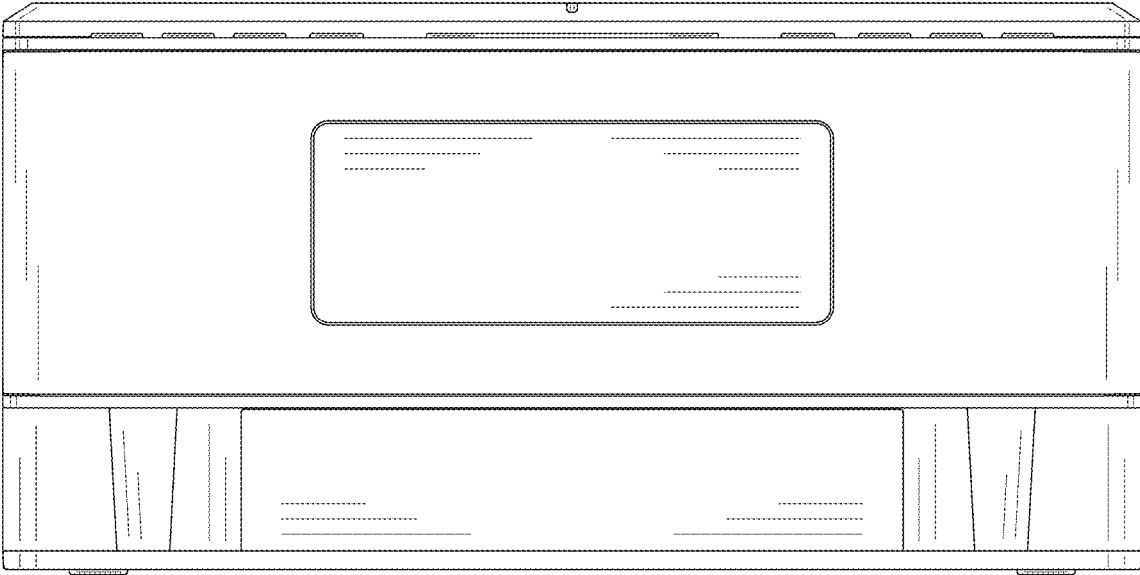


FIG. 1

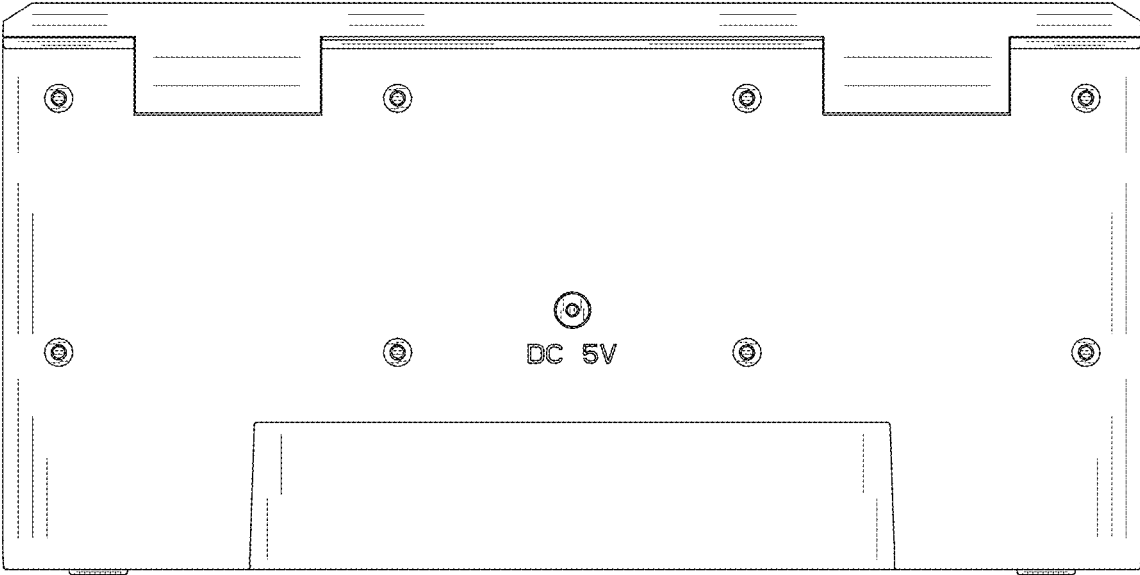


FIG. 2

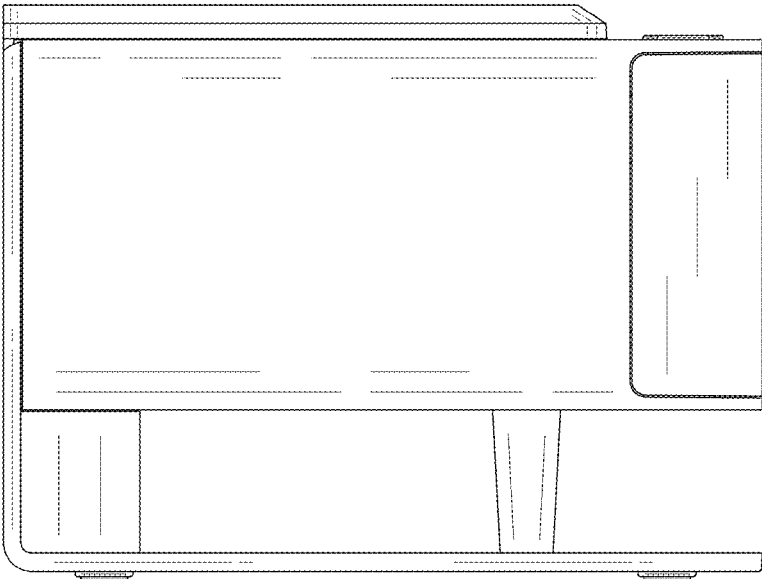


FIG. 3

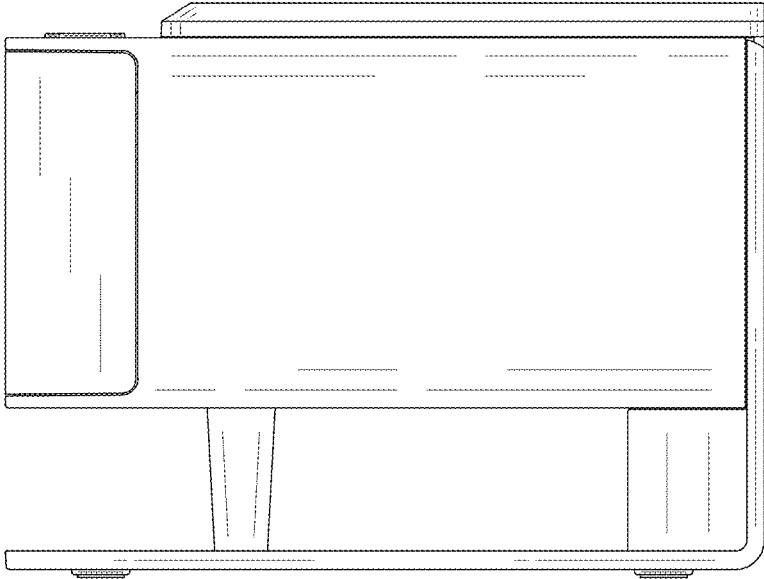


FIG. 4

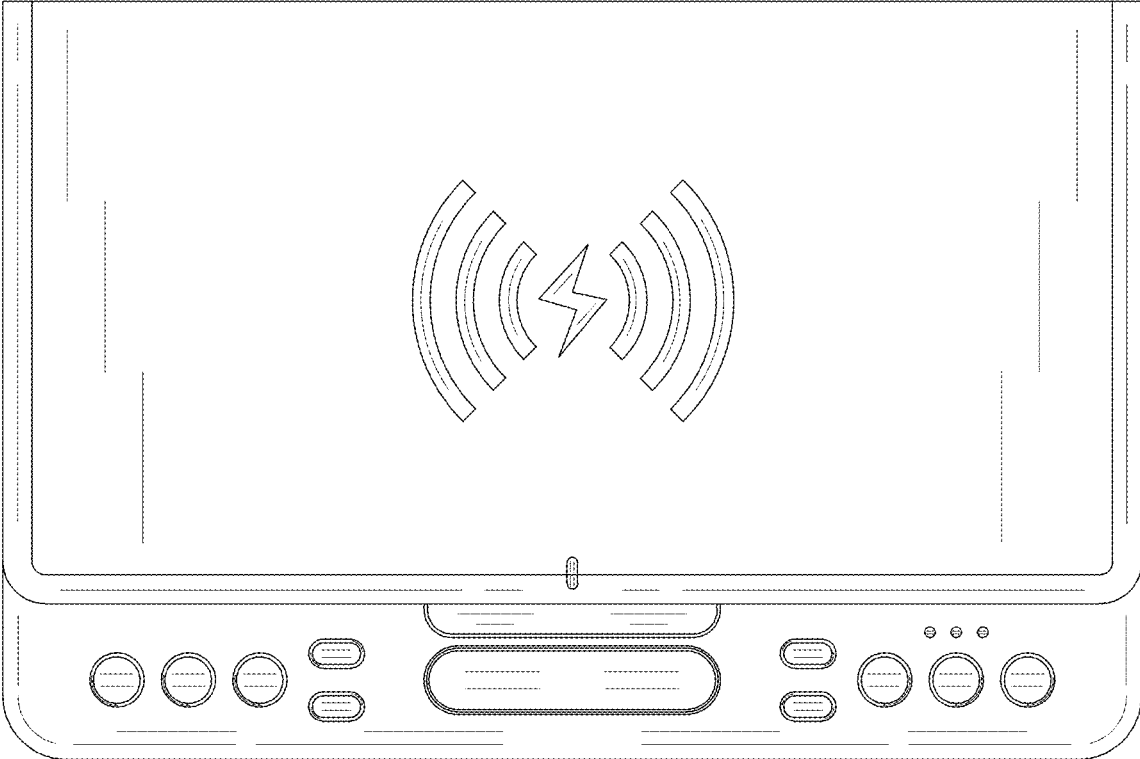


FIG. 5

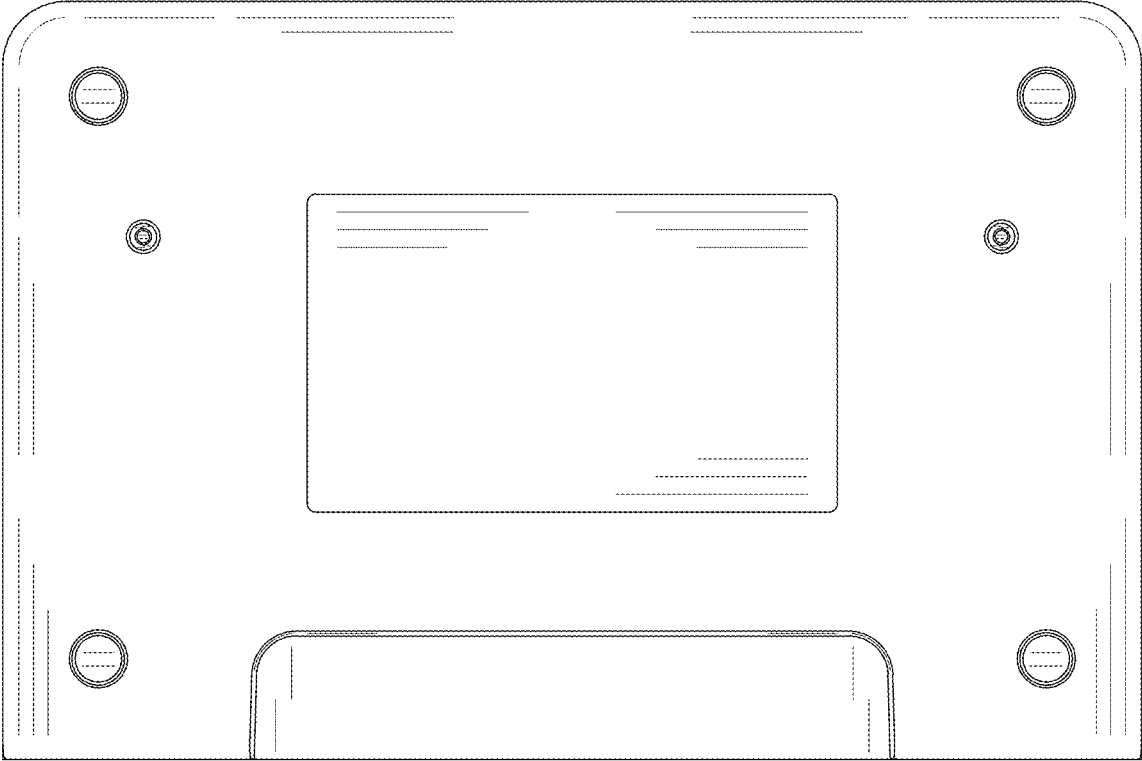


FIG. 6

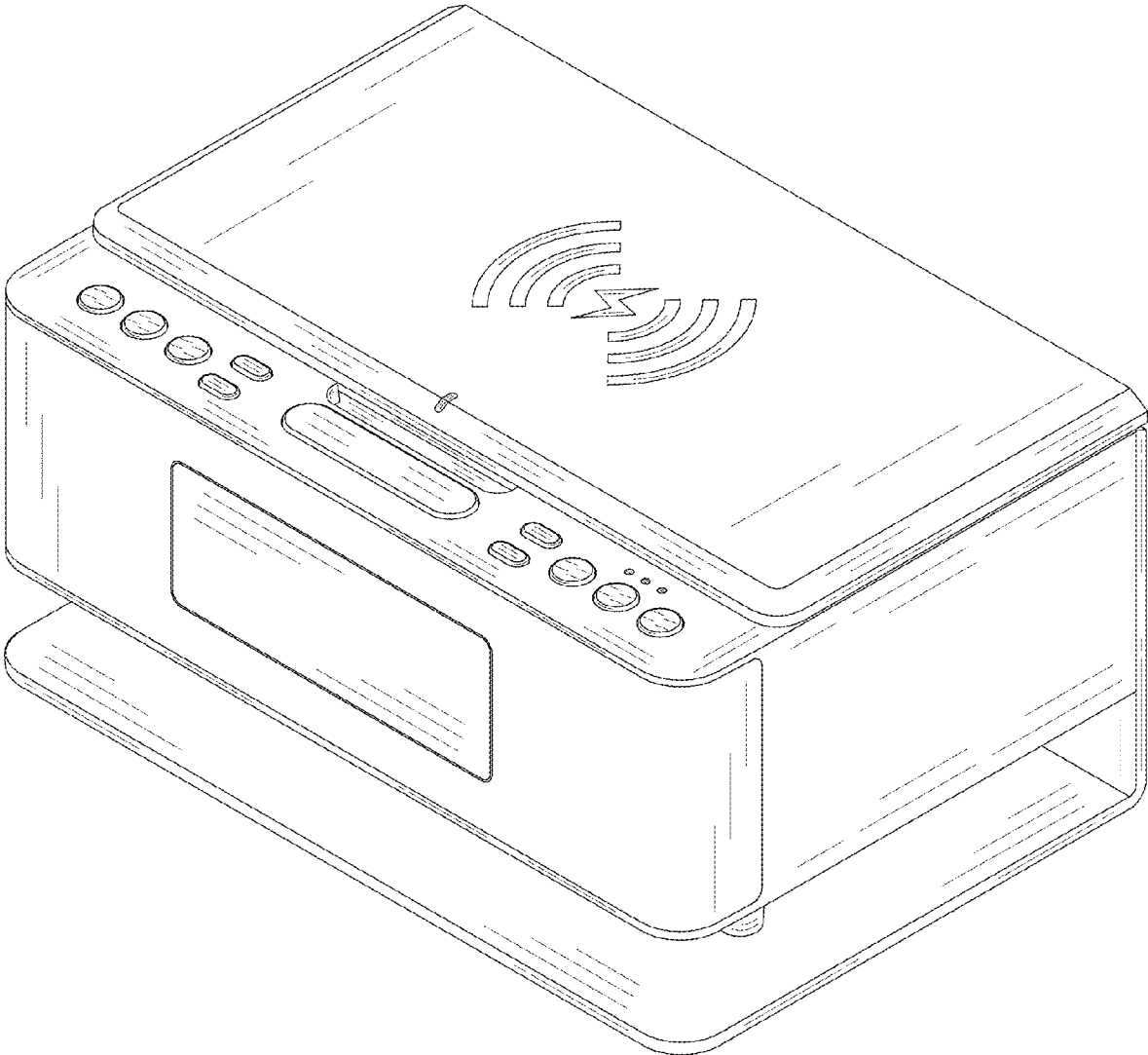


FIG. 7

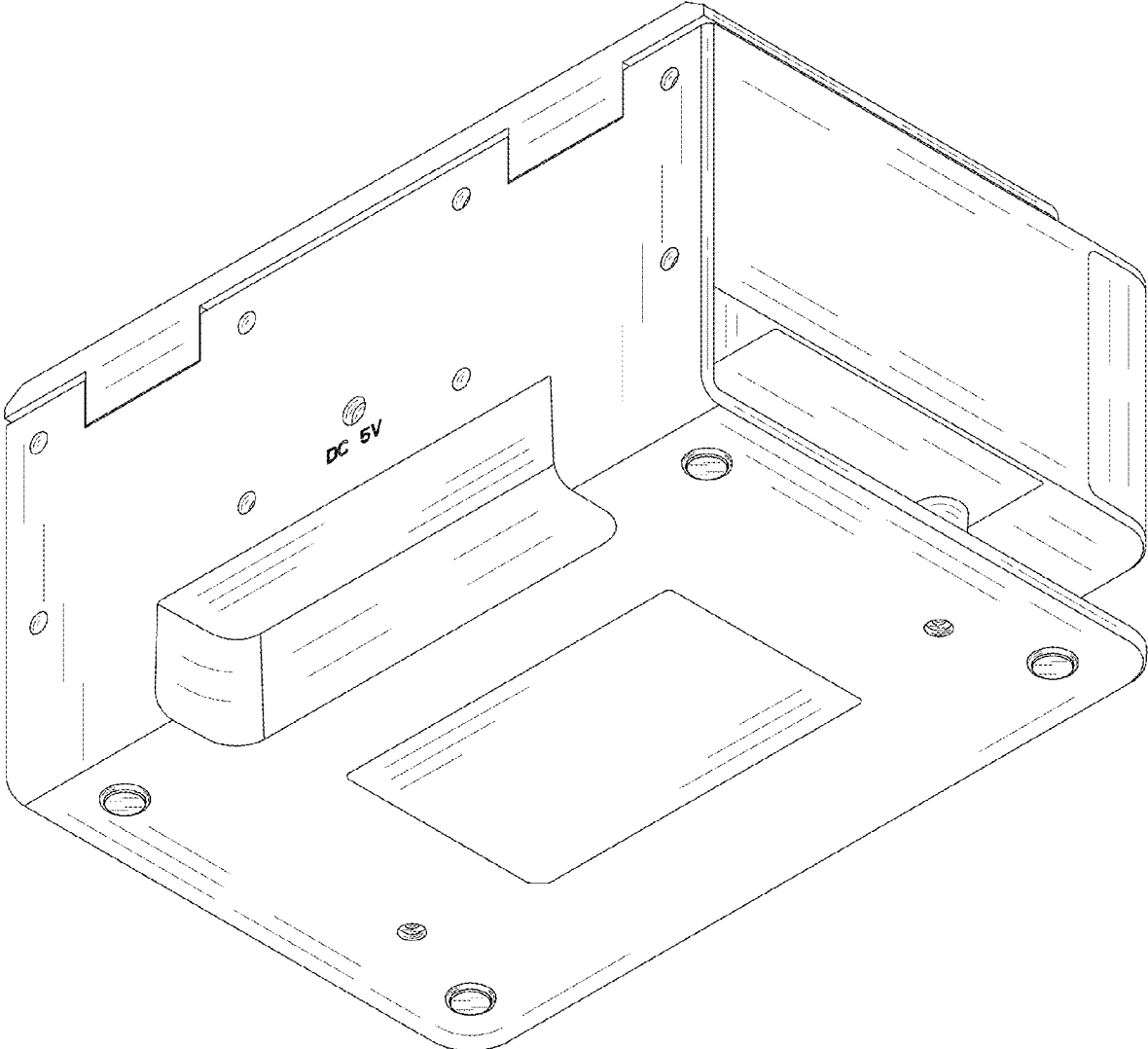


FIG. 8