



US00D955319S

(12) **United States Design Patent**
Ackeret et al.

(10) **Patent No.:** **US D955,319 S**

(45) **Date of Patent:** **** Jun. 21, 2022**

(54) **VEHICLE MOUNT**

(71) Applicant: **Kinetix AG**, Chur (CH)

(72) Inventors: **Peter Ackeret**, Zurich (CH); **Michael Andreas Keller**, Freudenstadt (DE);
Walter Funk, Simmersfeld (DE)

(73) Assignee: **KINETIX AG**, Chur (CH)

(**) Term: **15 Years**

(21) Appl. No.: **29/689,209**

(22) Filed: **Apr. 29, 2019**

Related U.S. Application Data

(62) Division of application No. 35/502,438, filed on Aug. 12, 2016 (U.S. filing date under 35 U.S.C. 384), and having an international filing date of Aug. 12, 2016, now Pat. No. Des. 854,537.

Foreign Application Priority Data

Feb. 16, 2016 (DE) 40 2016 100 156.7

(51) **LOC (13) Cl.** **12-16**

(52) **U.S. Cl.**

USPC **D12/415; D14/253**

(58) **Field of Classification Search**

USPC D14/251–253, 224, 224.1, 432–434, 447,
D14/451, 452; D12/415, 426.1, 223, 406,
D12/407; D16/242, 244, 245; D3/218;
D13/108

CPC B60R 11/00; B60R 11/02; B60R 11/0241;
B60R 11/0252; B60R 2011/0003; B60R
2011/0005; B60R 2011/0008; B60R 7/04;
H04M 1/04; F16M 11/00; F16M 11/04;
F16M 11/041; F16M 11/06

See application file for complete search history.

(56) **References Cited**

U.S. PATENT DOCUMENTS

D614,613 S 4/2010 Kim et al.
D654,503 S 2/2012 Sapper
D655,282 S 3/2012 Richter
D655,283 S 3/2012 Richter
D659,571 S 5/2012 Hoggarth
D678,888 S 3/2013 Hung
8,561,863 B2 10/2013 Lacolla et al.
D716,215 S 10/2014 Dunn

(Continued)

FOREIGN PATENT DOCUMENTS

CN 304482933 1/2018
WO WO D092188-001 2/2017
WO WO D092188-002 2/2017

OTHER PUBLICATIONS

U.S. Appl. No. 29/689,211, filed Apr. 29, 2019.
U.S. Appl. No. 29/689,219, filed Apr. 29, 2019.

Primary Examiner — Rebekah A Caruso

(74) *Attorney, Agent, or Firm* — Leydig, Voit & Mayer,
Ltd.

(57) **CLAIM**

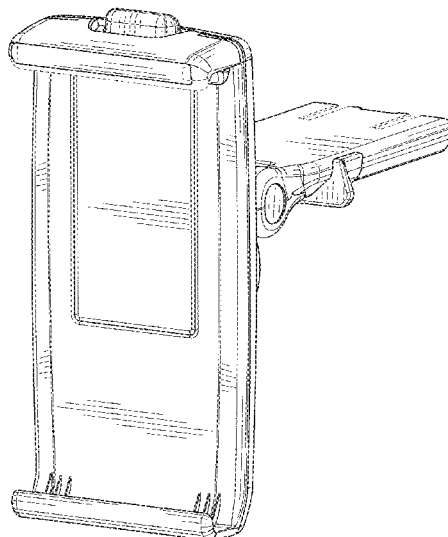
The ornamental design for a vehicle mount, as shown and described.

DESCRIPTION

FIG. 1 is a front-top-right perspective view of a vehicle mount showing our new design;
FIG. 2 is a left-side view thereof;
FIG. 3 is a right-side view thereof;
FIG. 4 is a front view thereof;
FIG. 5 is a back view thereof;
FIG. 6 is a top view thereof; and,
FIG. 7 is a bottom view thereof.

The broken lines shown in the drawings depict portions of the vehicle mount that form no part of the claimed design.

1 Claim, 7 Drawing Sheets



(56)

References Cited

U.S. PATENT DOCUMENTS

D718,297 S	11/2014	Aspinall et al.		D807,373 S	1/2018	Thetard et al.	
D718,298 S	11/2014	Aspinall et al.		D815,087 S	4/2018	Gu	
D720,000 S	12/2014	Lyons		D817,317 S	5/2018	Lee	
D726,175 S	4/2015	Tsai et al.		D828,865 S	9/2018	Zeng	
D732,013 S	6/2015	Aspinall et al.		D832,247 S *	10/2018	Sukphist	D14/253
D732,519 S	6/2015	Aspinall et al.		D832,248 S	10/2018	Sukphist	
D733,115 S	6/2015	Aspinall et al.		D833,369 S	11/2018	Lan	
D738,873 S	9/2015	Kim et al.		D838,267 S	1/2019	Zhang	
D751,702 S	3/2016	Eaton		D840,994 S *	2/2019	Balmer	D14/253
9,278,648 B2	3/2016	Ackeret et al.		D840,995 S *	2/2019	Balmer	D14/253
D753,643 S *	4/2016	Kim	D14/253	D854,537 S *	7/2019	Ackeret	D14/253
D755,797 S	5/2016	Liu		D867,355 S *	11/2019	Chun	D14/253
D759,002 S	6/2016	Won et al.		D868,054 S *	11/2019	Kim	D14/253
D762,652 S	8/2016	Dörre et al.		D877,233 S *	3/2020	Li	D16/243
D765,651 S	9/2016	Liu et al.		D883,274 S *	5/2020	Liu	D14/253
D767,556 S *	9/2016	Lee	D14/253	10,875,467 B2 *	12/2020	Keller	F16M 13/00
D768,125 S	10/2016	Kim		D934,234 S *	10/2021	Deng	D14/253
D769,860 S	10/2016	Xiao		2010/0320341 A1	12/2010	Baumann et al.	
D775,116 S	12/2016	Abrahams		2011/0278885 A1	11/2011	Procter et al.	
9,527,456 B2	12/2016	Ackeret et al.		2013/0037590 A1	2/2013	Yoon	
D780,168 S	2/2017	Du		2013/0193174 A1 *	8/2013	Ackeret	B60R 7/04 224/275
D780,743 S	3/2017	Chun		2014/0145051 A1	5/2014	Gwag	
D783,012 S	4/2017	Lee		2014/0274230 A1 *	9/2014	Brzana	H04M 1/0202 455/575.1
D783,014 S	4/2017	Chun		2017/0237843 A1 *	8/2017	Ackeret	B60R 11/0235 455/575.9
D784,923 S	4/2017	Song		2017/0264329 A1 *	9/2017	Balmer	F16B 2/12
D796,421 S	9/2017	Huang		2019/0037722 A1 *	1/2019	Maisenbacher	B60K 35/00
D799,466 S	10/2017	Sukphist et al.		2021/0376633 A1 *	12/2021	Grout	H02J 50/90
D799,467 S	10/2017	Lou					

* cited by examiner

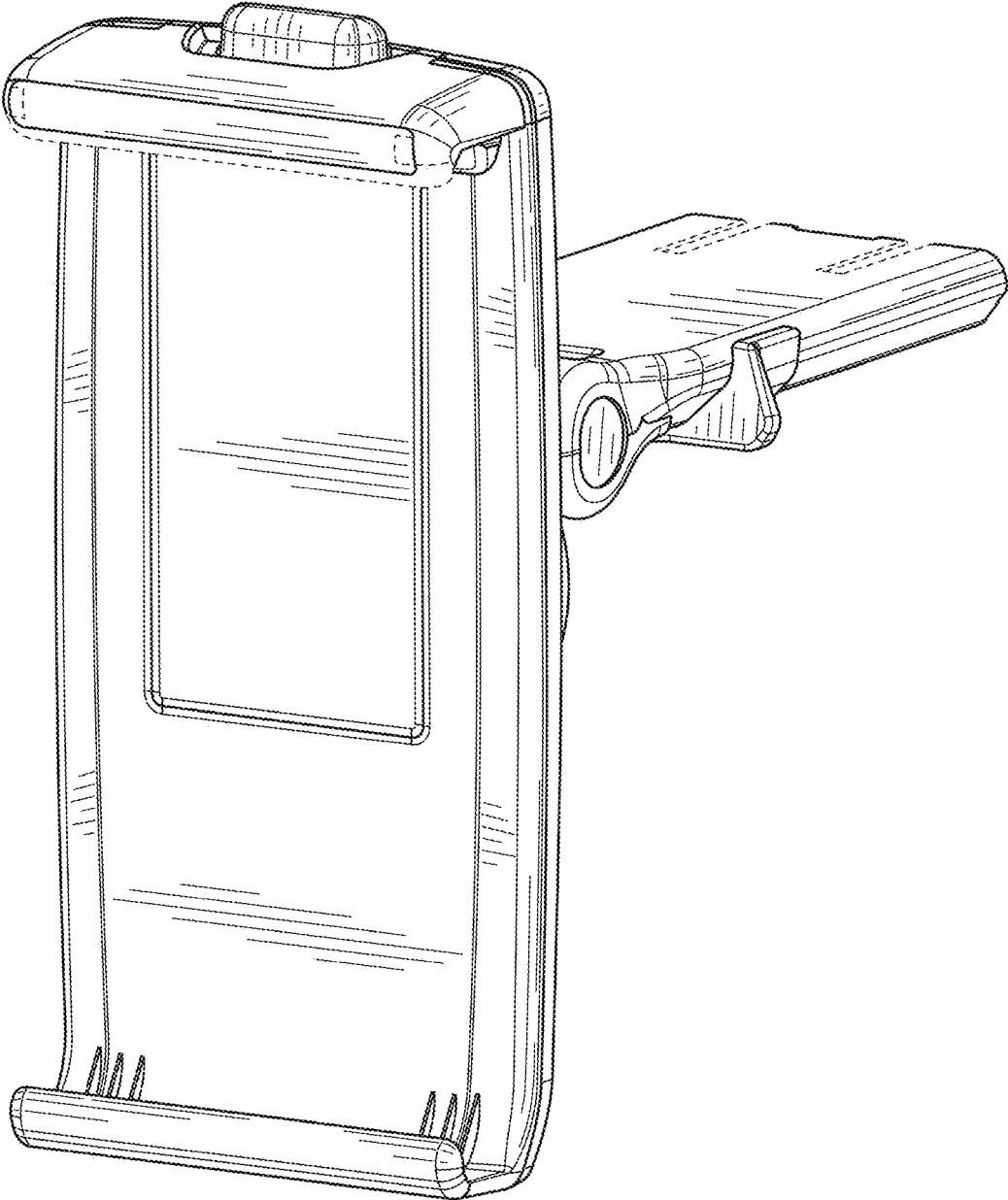


FIG. 1

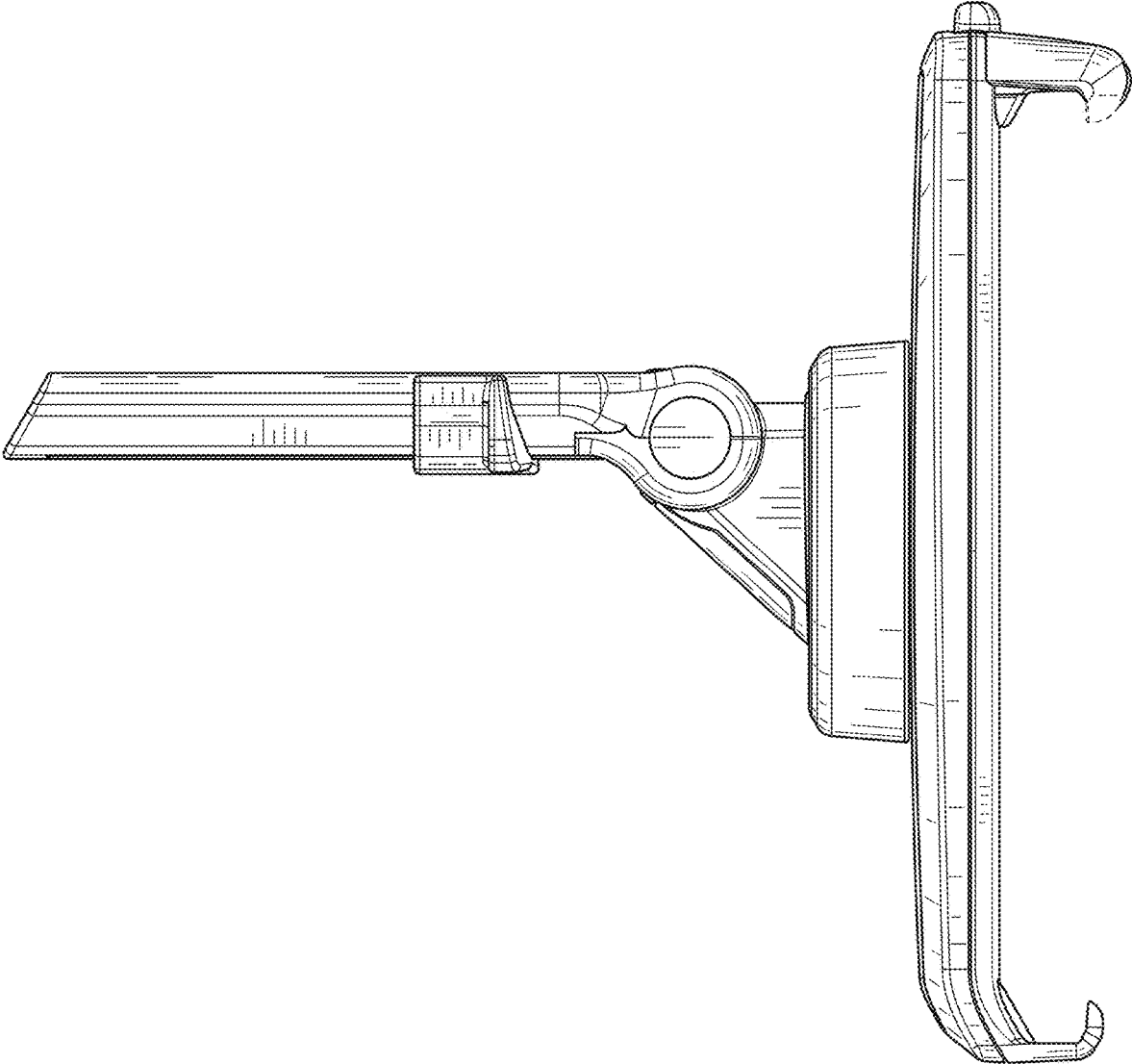


FIG. 2

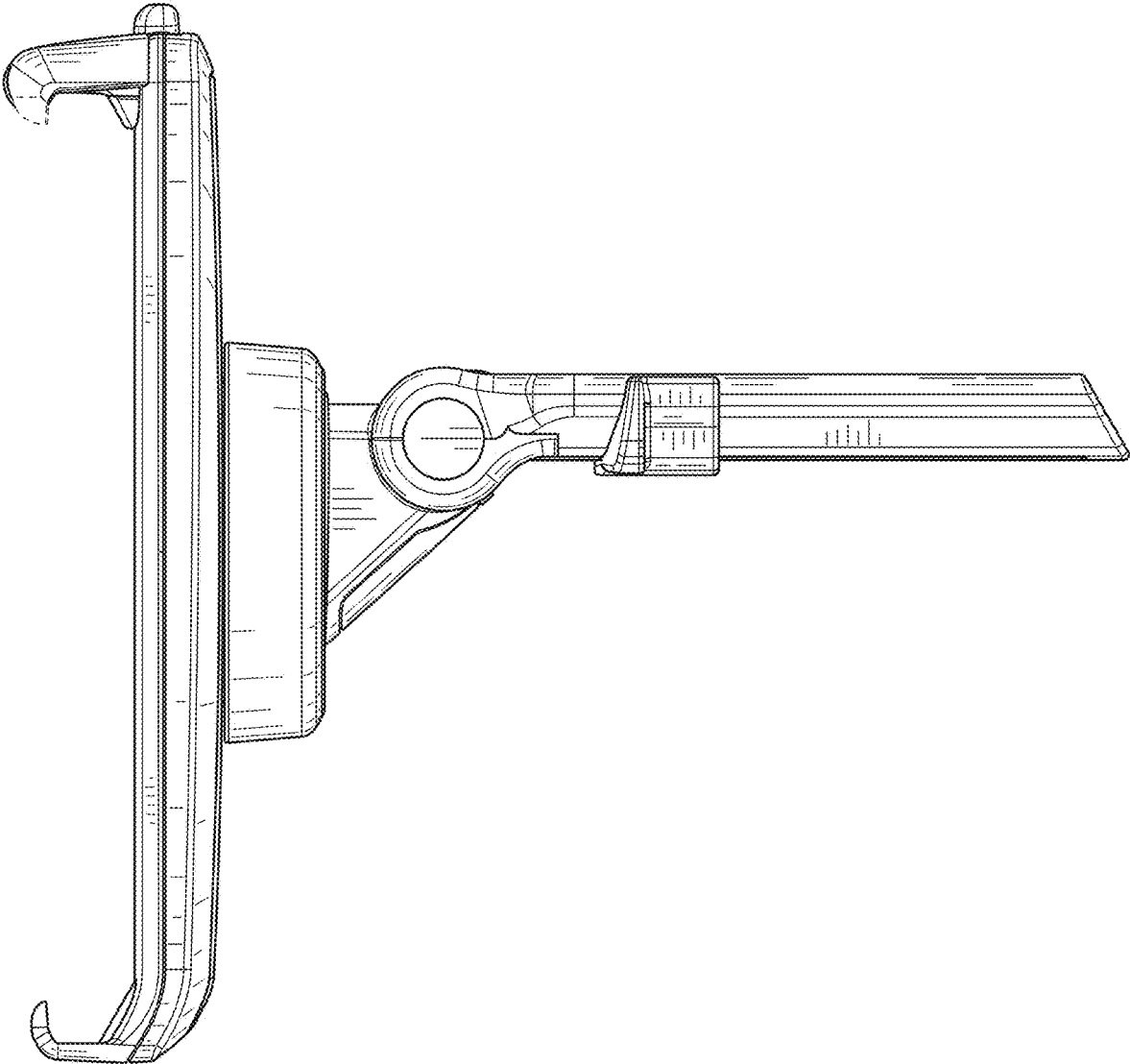


FIG. 3

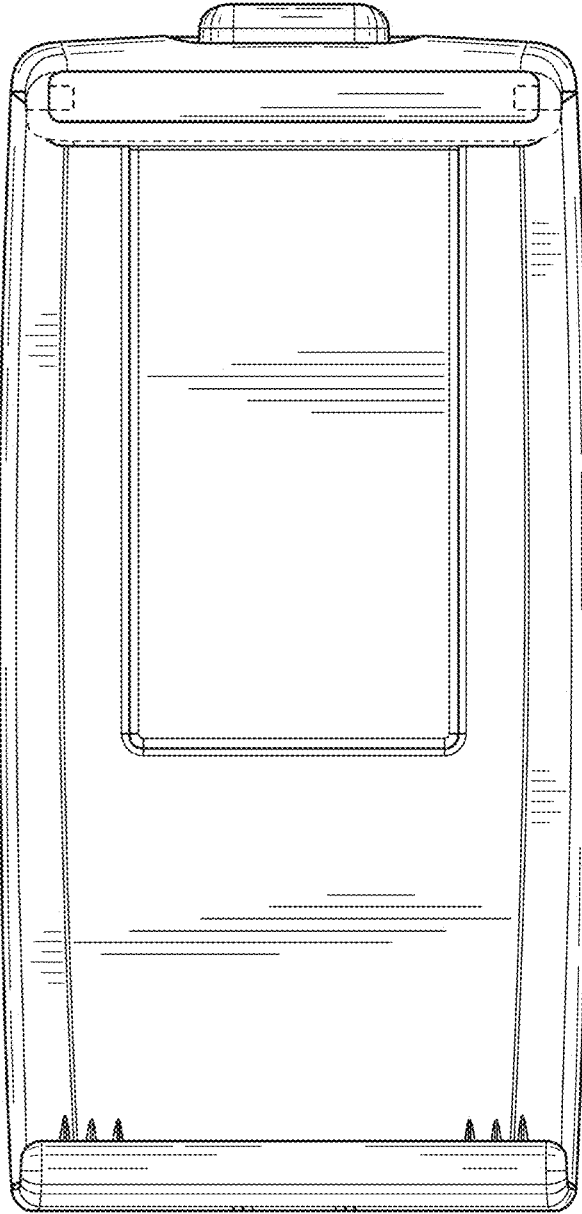


FIG. 4

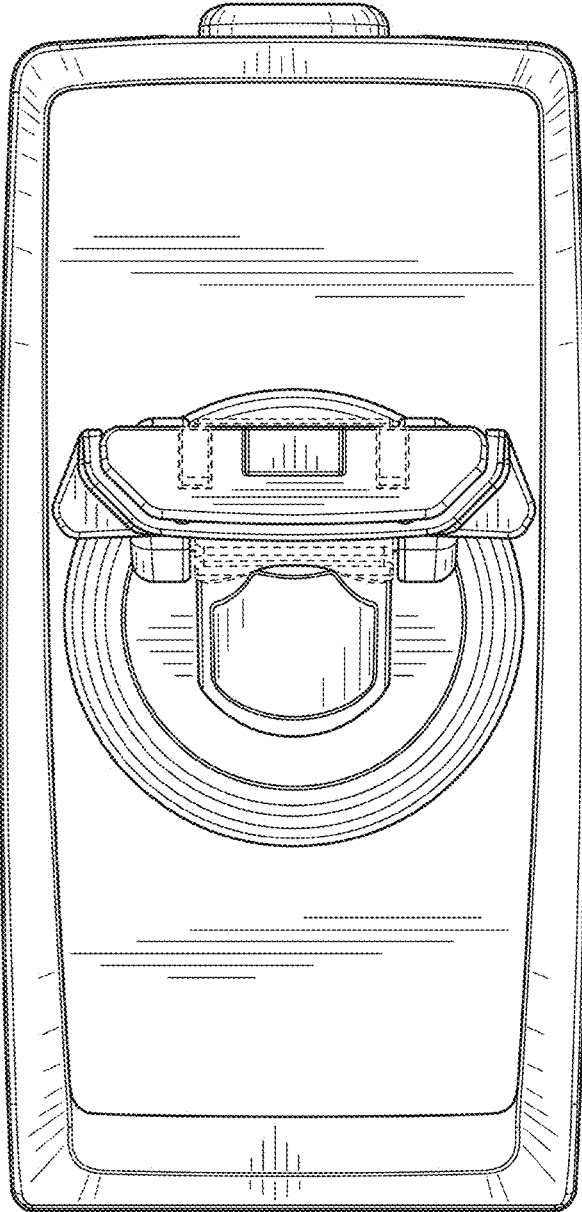


FIG. 5

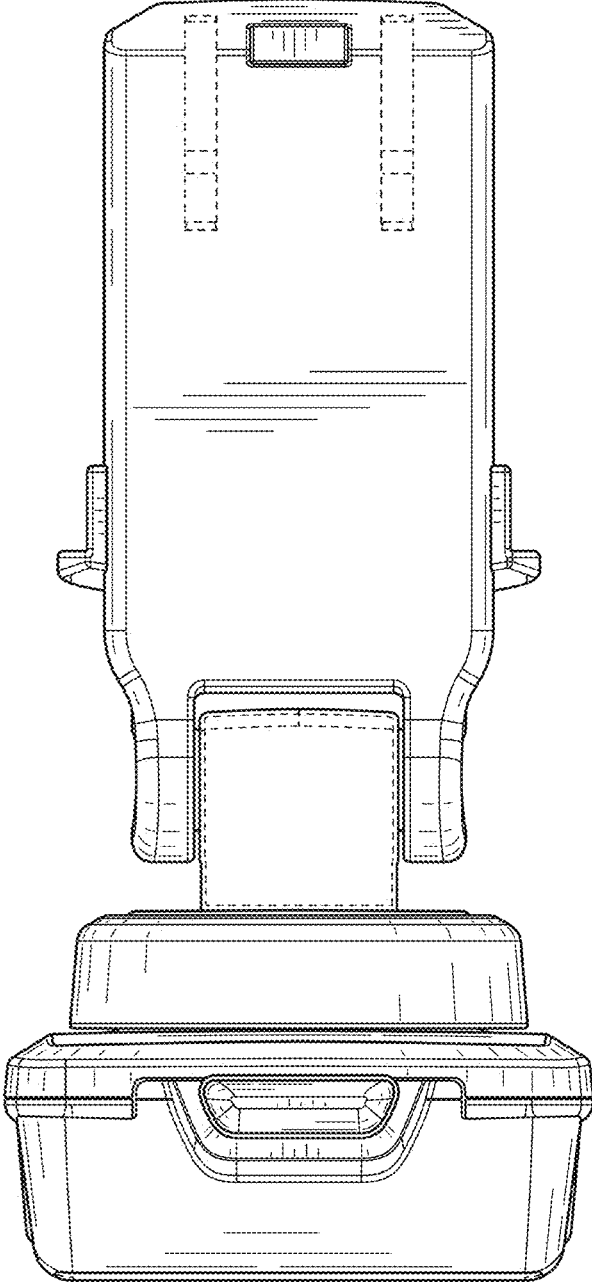


FIG. 6

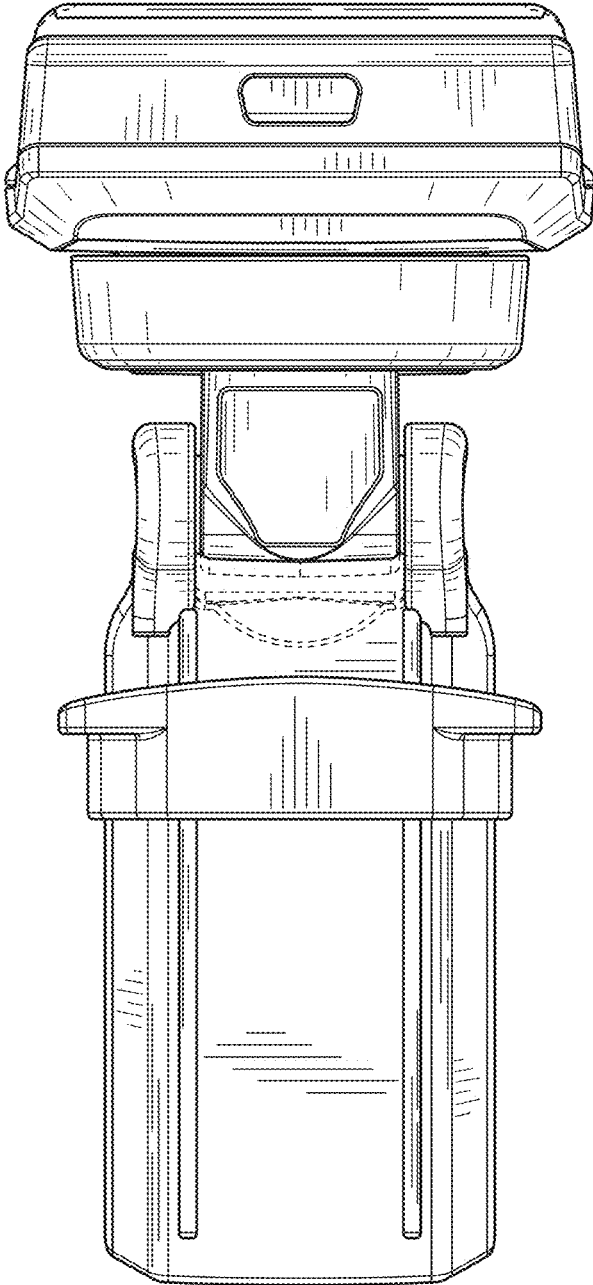


FIG. 7