



US00D762978S

(12) **United States Design Patent**  
**Boroski**

(10) **Patent No.:** **US D762,978 S**

(45) **Date of Patent:** **\*\* Aug. 9, 2016**

(54) **STORAGE BAG**

(71) Applicant: **Dwayne Boroski**, Lake in the Hills, IL  
(US)

(72) Inventor: **Dwayne Boroski**, Lake in the Hills, IL  
(US)

(73) Assignee: **THERMOS L.L.C.**, Schaumburg, IL  
(US)

(\*\*) Term: **14 Years**

(21) Appl. No.: **29/516,318**

(22) Filed: **Jan. 30, 2015**

(51) **LOC (10) Cl.** ..... **03-01**

(52) **U.S. Cl.**

USPC ..... **D3/283**

(58) **Field of Classification Search**

USPC ..... D7/607, 709; D3/232-233, 240-243,  
D3/245, 246, 289, 301, 318, 287, 283,  
D3/276; 383/110, 41, 6; 206/545;  
220/592.01, 592.2; 62/457.7

CPC ..... A45C 1/024; A45C 3/06; A45C 11/20;  
A45C 5/06; F25D 3/08; F25D 2331/801

See application file for complete search history.

(56) **References Cited**

**U.S. PATENT DOCUMENTS**

D270,873 S	10/1983	Katz	
D272,965 S	3/1984	Simon	
D280,260 S *	8/1985	Leiserson	D3/267
4,541,539 A	9/1985	Matthews	
D284,333 S	6/1986	Huston	
D291,149 S	8/1987	Smith	
4,921,151 A *	5/1990	Duvall	B62J 9/00 190/125
D312,530 S	12/1990	Gallen	
D336,218 S	6/1993	Hague	
D370,123 S *	5/1996	Klinger	D3/231
5,526,907 A *	6/1996	Trawick	A45C 3/10 190/111

D371,942 S *	7/1996	Lippincott	D7/607
D376,044 S	12/1996	Trawick	
D389,305 S	1/1998	Hauschild	
D393,392 S	4/1998	Hartenstine	
5,772,066 A *	6/1998	Reynolds	A45C 7/0063 220/23.83
D398,191 S *	9/1998	Melk	D7/607
5,871,280 A	2/1999	Watters	
D423,779 S *	5/2000	Goatcher	D3/283
6,105,844 A	8/2000	Walters	
D443,417 S	6/2001	Hillman	

(Continued)

**FOREIGN PATENT DOCUMENTS**

AU	155311 S	5/2004
AU	338281 S	8/2011

(Continued)

**OTHER PUBLICATIONS**

Design U.S. Appl. No. 29/516,328, filed Jan. 30, 2015 (20 pages).

(Continued)

*Primary Examiner* — Derrick Holland

*Assistant Examiner* — Jennifer O King

(74) *Attorney, Agent, or Firm* — Polsinelli PC

(57) **CLAIM**

The ornamental design for a storage bag, as shown and described.

**DESCRIPTION**

FIG. 1 is a perspective view of a storage bag;

FIG. 2 is a front view thereof;

FIG. 3 is a rear view thereof;

FIG. 4 is a right side view thereof;

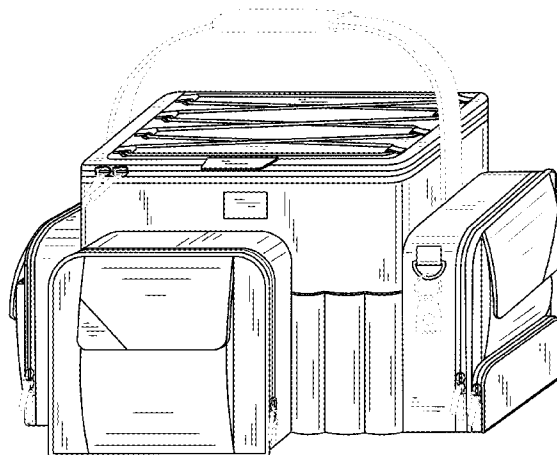
FIG. 5 is a left side view thereof;

FIG. 6 is a top view thereof; and,

FIG. 7 is a bottom view thereof.

The broken lines shown represent unclaimed subject matter and form no part of the claimed design.

**1 Claim, 7 Drawing Sheets**



(56)

References Cited

U.S. PATENT DOCUMENTS

D447,340 S \* 9/2001 Snider ..... D3/276  
 D447,667 S 9/2001 Schneider et al.  
 D465,134 S 11/2002 Joss  
 6,474,097 B2 11/2002 Treppedi et al.  
 6,478,463 B2 \* 11/2002 Snider ..... A45C 13/02  
 206/373  
 D468,533 S 1/2003 MacRae et al.  
 D471,012 S 3/2003 Peterson  
 D472,380 S 4/2003 Hillman  
 D478,782 S 8/2003 Li  
 6,609,626 B2 \* 8/2003 Young ..... A45C 13/002  
 150/154  
 D485,732 S 1/2004 Lanman et al.  
 D494,757 S \* 8/2004 Hinds ..... D3/287  
 6,821,019 B2 11/2004 Mogil  
 D501,603 S 2/2005 Shamas  
 D526,484 S 8/2006 Flint  
 D542,031 S 5/2007 Zapata  
 D560,450 S 1/2008 Tagliati  
 7,313,927 B2 \* 1/2008 Barker ..... F25D 3/08  
 62/457.2  
 D572,980 S 7/2008 Griffard  
 D573,422 S 7/2008 Tagliati et al.  
 D574,667 S 8/2008 Grabijas, III et al.  
 D575,059 S 8/2008 Capiello et al.  
 D602,688 S 10/2009 Smith

D608,096 S 1/2010 Noble  
 D608,159 S 1/2010 Whitlock et al.  
 D641,162 S \* 7/2011 Houston ..... D3/283  
 D647,301 S 10/2011 Sosnovsky  
 D648,533 S 11/2011 Sosnovsky  
 8,096,442 B2 \* 1/2012 Ramundi ..... A45C 7/0077  
 190/107  
 D662,710 S \* 7/2012 Fraiman ..... D3/283  
 8,348,510 B2 1/2013 Mogil  
 D692,661 S 11/2013 Gupton, Jr.  
 D715,046 S \* 10/2014 Stewart ..... D3/232  
 8,857,654 B2 10/2014 Mogil et al.

FOREIGN PATENT DOCUMENTS

AU 355476 S 5/2014  
 CA 101590 5/2005  
 CA 135166 4/2011  
 CA 142370 5/2012

OTHER PUBLICATIONS

Design U.S. Appl. No. 29/516,322, filed Jan. 30, 2015 (20 pages).  
 Design U.S. Appl. No. 29/516,325, filed Jan. 30, 2015 (20 pages).  
 U.S. Appl. No. 29/516,322 Notice of Allowance issued May 24, 2016  
 (16 pages).  
 U.S. Appl. No. 29/516,325 Notice of Allowance mailed May 18,  
 2016 (13 pages).

\* cited by examiner

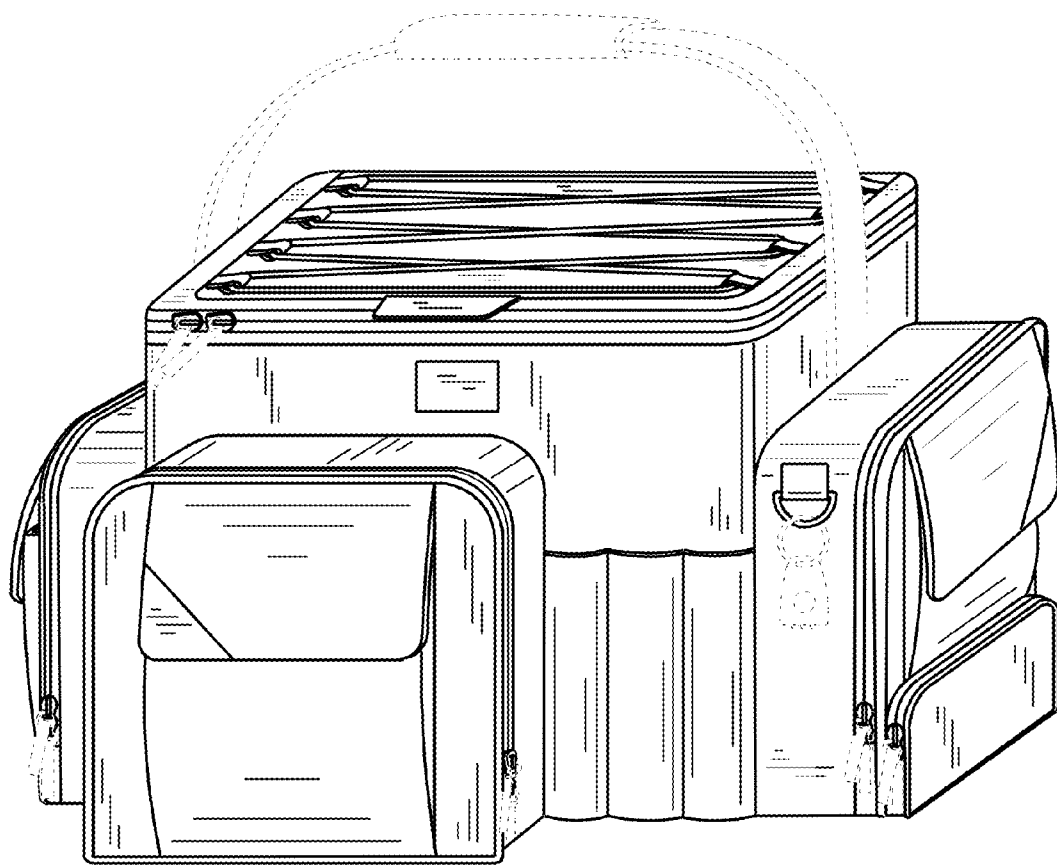


FIG. 1

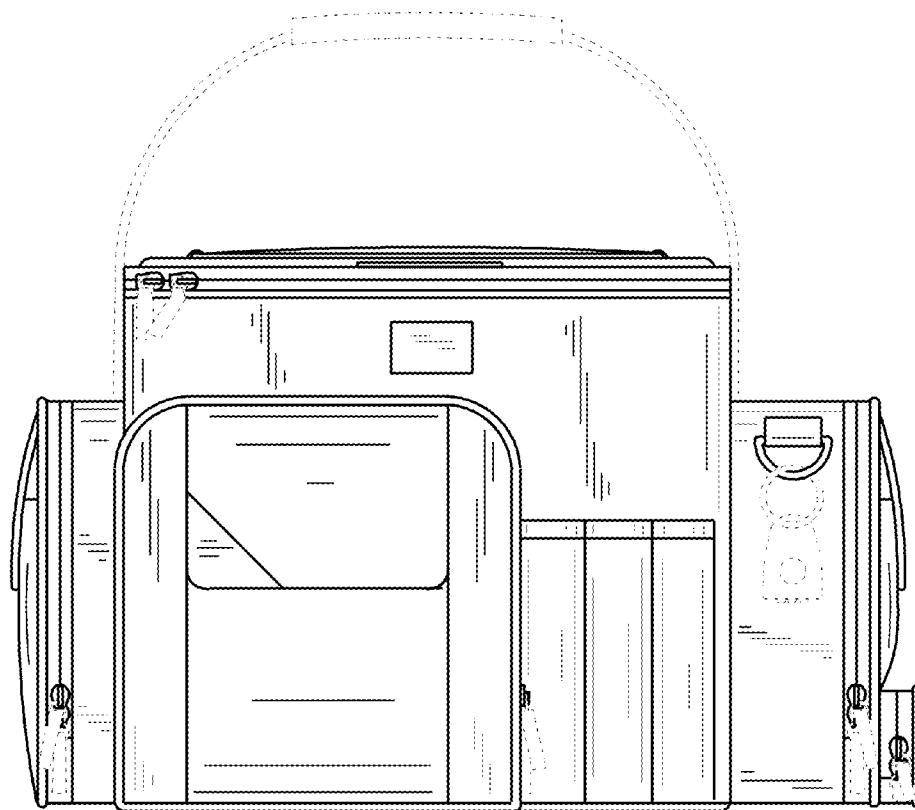


FIG. 2

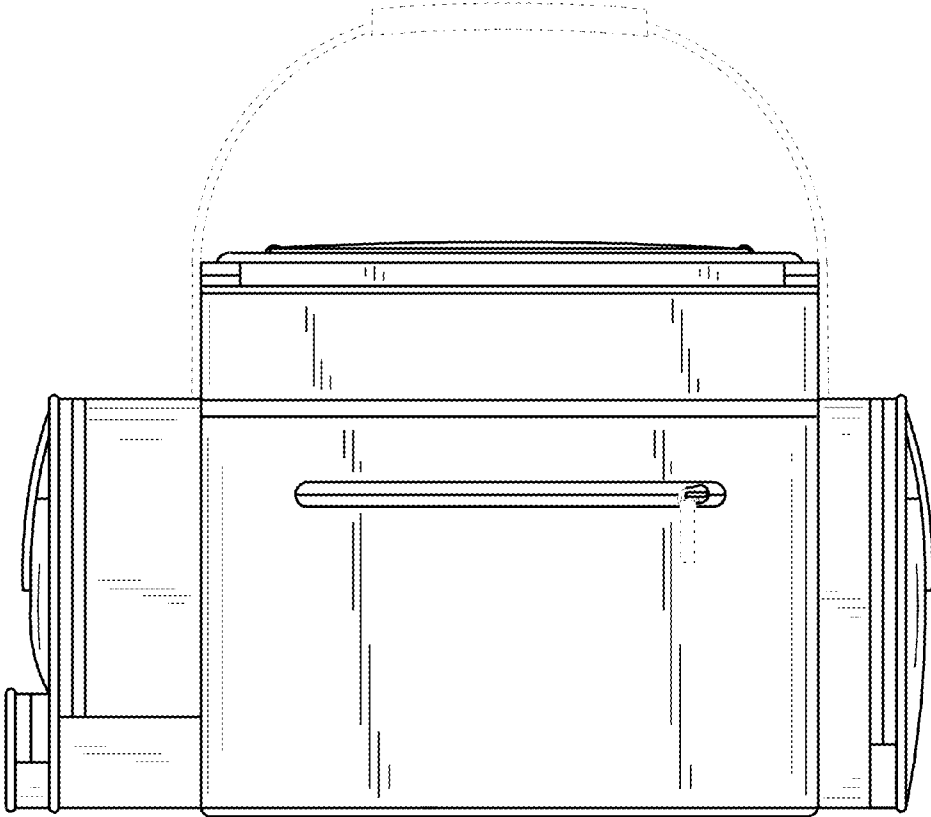


FIG. 3

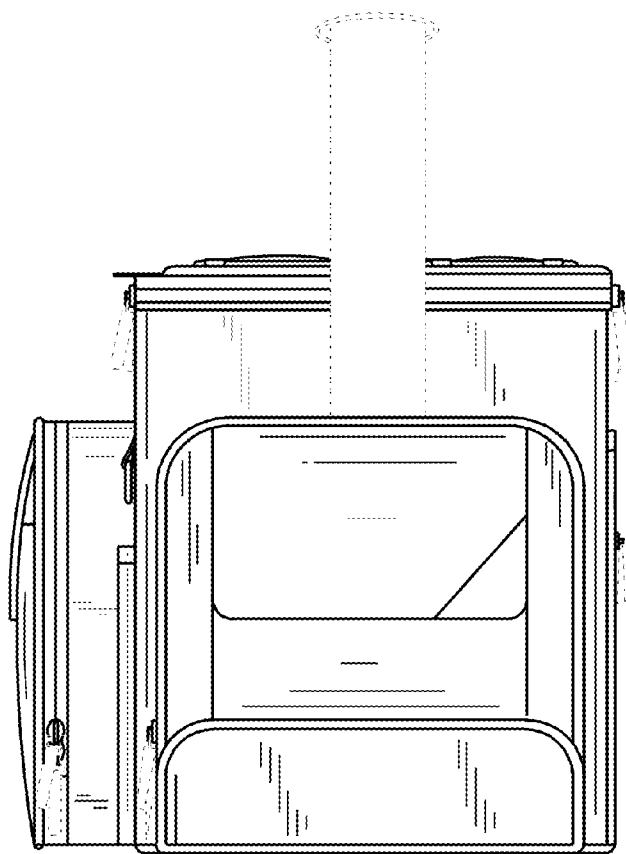


FIG. 4

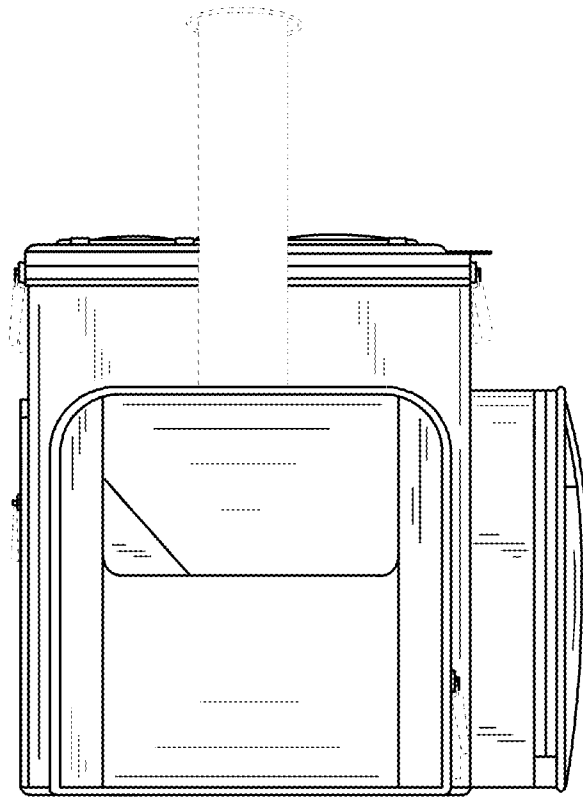


FIG. 5

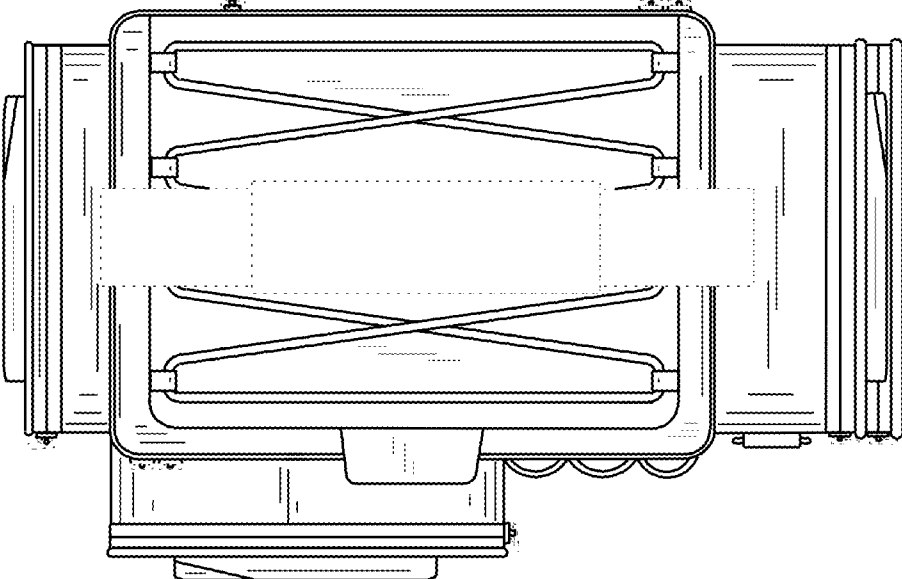


FIG. 6



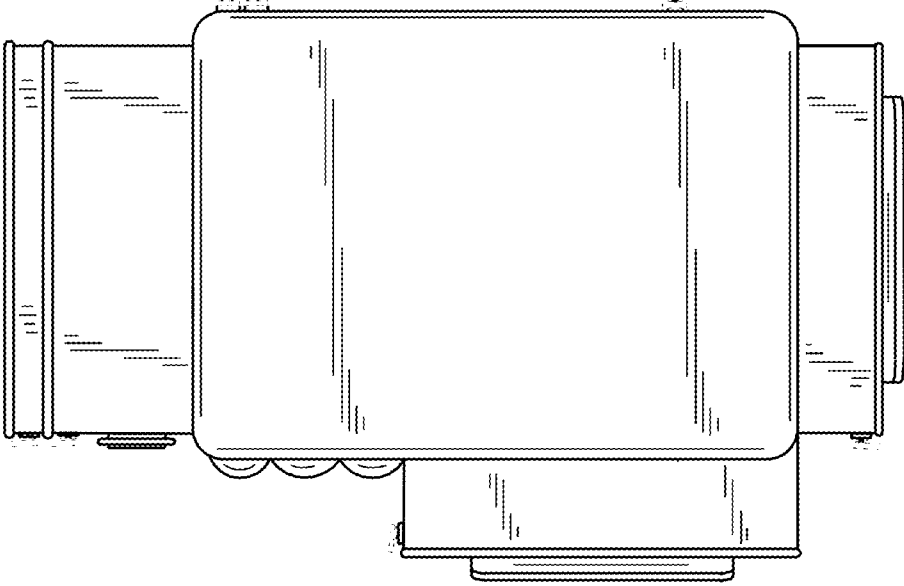


FIG. 7