



US00D678653S

(12) **United States Design Patent**  
**Budde et al.**

(10) **Patent No.:** **US D678,653 S**  
(45) **Date of Patent:** **\*\* Mar. 19, 2013**

(54) **DRIVE-UP FINANCIAL TRANSACTION MACHINE**

(75) Inventors: **William Budde**, Dublin, OH (US);  
**Giancarlo Miranda**, Columbus, OH (US);  
**Joseph Bradley Nolan**, New Albany, OH (US)

(73) Assignee: **JPMorgan Chase Bank, N.A.**, New York, NY (US)

(\*\*) Term: **14 Years**

(21) Appl. No.: **29/427,558**

(22) Filed: **Jul. 19, 2012**

(51) **LOC (9) Cl.** ..... **20-01**

(52) **U.S. Cl.** ..... **D99/28**

(58) **Field of Classification Search** ..... D14/336,  
D14/371-376, 387; D18/3.1-3.3, 4.1-4.6,  
D18/12.1-12.3; D21/324, 325, 332; D99/28,  
D99/34-36, 43; 235/1 E, 2, 7 R, 12, 22,  
235/33, 51, 52; 705/12, 15-18, 43  
See application file for complete search history.

(56) **References Cited**

**U.S. PATENT DOCUMENTS**

3,326,147 A *	6/1967	Toney	108/27
3,653,480 A	4/1972	Yamamoto et al.	
4,205,780 A	6/1980	Burns	
4,321,672 A	3/1982	Braun et al.	
D263,889 S *	4/1982	Lippisch	D99/28
D264,764 S *	6/1982	Freijd	D99/28
4,396,985 A	8/1983	Ohara	
4,495,018 A	1/1985	Vohrer	
4,617,457 A	10/1986	Myers	
4,672,377 A	6/1987	Murphy	
4,700,055 A	10/1987	Kashkashian, Jr.	
4,752,877 A	6/1988	Roberts et al.	
4,797,913 A	1/1989	Kaplan	
4,799,156 A	1/1989	Shavit	
4,812,628 A	3/1989	Boston	
4,823,264 A	4/1989	Deming	
4,931,793 A	6/1990	Fuhrmann et al.	
4,948,174 A	8/1990	Thomson et al.	

4,974,878 A	12/1990	Josephson
4,988,849 A	1/1991	Sasaki
4,992,646 A	2/1991	Collin
5,023,904 A	6/1991	Kaplan
5,053,607 A	10/1991	Carlson
5,054,096 A	10/1991	Beizer
5,080,748 A	1/1992	Bonomi
5,111,395 A	5/1992	Smith
5,121,945 A	6/1992	Thomson et al.
5,122,950 A	6/1992	Mee

(Continued)

**FOREIGN PATENT DOCUMENTS**

EP	0099999	7/1983
EP	421808	4/1991

(Continued)

**OTHER PUBLICATIONS**

Annual Report Pursuant to Section 13 or 15(d) of The Securities Exchange Act of 1934, Form 10-K, Intelidata Technologies Corporation, Fiscal Year Ended Dec. 31, 2001.

(Continued)

*Primary Examiner* — Garth Rademaker

(74) *Attorney, Agent, or Firm* — Hunton & Williams LLP

(57) **CLAIM**

We claim the ornamental design for a drive-up financial transaction machine, as shown and described.

**DESCRIPTION**

FIG. 1 is a front perspective view of a drive-up financial transaction machine.

FIG. 2 is a front elevational view thereof.

FIG. 3 is a back elevational view thereof.

FIG. 4 is a left side elevational view thereof.

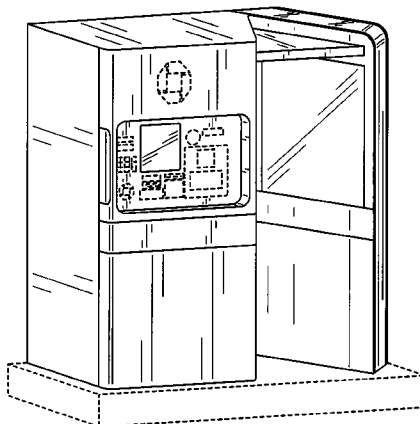
FIG. 5 is a right side elevational view thereof.

FIG. 6 is a top plan view thereof; and,

FIG. 7 is a bottom plan view thereof.

The broken lines in the drawings illustrate environmental structure on the article and form no part of the claimed design.

**1 Claim, 5 Drawing Sheets**



# US D678,653 S

U.S. PATENT DOCUMENTS							
5,136,502	A	8/1992	Van Remortel et al.	5,727,249	A	3/1998	Pollin
5,175,682	A	12/1992	Higashiyama	5,748,780	A	5/1998	Stolfo
5,198,975	A	3/1993	Baker et al.	5,751,842	A	5/1998	Eccles
5,220,501	A	6/1993	Lawlor	5,757,917	A	5/1998	Rose et al.
5,225,978	A	7/1993	Peterson	5,770,843	A	6/1998	Rose et al.
5,237,159	A	8/1993	Stephens	5,774,553	A	6/1998	Rosen
5,283,829	A	2/1994	Anderson	5,784,696	A	7/1998	Melnikof
5,287,269	A	2/1994	Dorrough et al.	5,793,861	A	8/1998	Haigh
5,311,594	A	5/1994	Penzias	5,794,221	A	8/1998	Egendorf
5,315,508	A	5/1994	Bain et al.	5,802,498	A	9/1998	Comesanas
5,321,238	A	6/1994	Watanabe	5,802,499	A	9/1998	Sampson et al.
5,326,959	A	7/1994	Perazza	5,819,236	A	10/1998	Josephson
5,336,870	A	8/1994	Hughes	5,819,238	A	10/1998	Fernholz
5,343,529	A	8/1994	Goldfine et al.	5,826,241	A	10/1998	Stein
5,350,906	A	9/1994	Brody et al.	5,826,245	A	10/1998	Sandberg-Diment
5,367,581	A	11/1994	VanHorn	5,832,447	A	11/1998	Rieker
5,373,550	A	12/1994	Campbell	5,832,460	A	11/1998	Bednar
5,396,417	A	3/1995	Burks	5,832,463	A	11/1998	Funk
5,402,474	A	3/1995	Miller	5,832,464	A	11/1998	Houvener et al.
5,412,190	A	5/1995	Kopesecc	5,832,488	A	11/1998	Eberhardt
5,424,938	A	6/1995	Wagner	5,835,580	A	11/1998	Fraser
5,430,644	A	7/1995	Deaton et al.	5,835,603	A	11/1998	Coutts
5,432,506	A	7/1995	Chapman	5,835,899	A	11/1998	Rose et al.
5,444,794	A	8/1995	Uhland	5,852,812	A	12/1998	Reeder
5,444,841	A	8/1995	Glasser et al.	5,859,419	A	1/1999	Wynn
5,446,740	A	8/1995	Yien	5,864,609	A	1/1999	Cross et al.
5,448,471	A	9/1995	Deaton et al.	5,870,456	A	2/1999	Rogers
5,465,206	A	11/1995	Hilt et al.	5,870,721	A	2/1999	Norris
5,477,040	A	12/1995	Lalonde	5,870,723	A	2/1999	Pare
5,479,494	A	12/1995	Clitherow	5,870,725	A	2/1999	Belinger et al.
5,483,445	A	1/1996	Pickering	5,873,072	A	2/1999	Kight
5,484,988	A	1/1996	Hills	5,883,810	A	3/1999	Franklin et al.
5,502,578	A	3/1996	Ramsay et al.	5,884,288	A	3/1999	Chang
5,504,677	A	4/1996	Pollin	5,897,625	A	4/1999	Gustin
5,506,691	A	4/1996	Bednar et al.	5,898,157	A	4/1999	Mangili et al.
5,513,250	A	4/1996	McAllister	D410,129	S *	5/1999	Molander et al. .... D99/28
5,532,464	A	7/1996	Josephson et al.	5,903,881	A	5/1999	Schrader
5,544,046	A	8/1996	Niwa	5,910,896	A	6/1999	Hahn-Carlson
5,550,734	A	8/1996	Tater	5,910,988	A	6/1999	Ballard
5,551,021	A	8/1996	Harada	5,915,246	A	6/1999	Patterson et al.
5,557,515	A	9/1996	Abbruzzese et al.	5,917,965	A	6/1999	Cahill et al.
5,563,400	A	10/1996	Le Roux	D412,233	S *	7/1999	Cajacob et al. .... D99/28
5,566,330	A	10/1996	Sheffield	5,920,847	A	7/1999	Kolling et al.
5,568,489	A	10/1996	Yien	5,930,778	A	7/1999	Geer
5,570,465	A	10/1996	Tsakanikas	5,937,396	A	8/1999	Konya
5,572,004	A	11/1996	Raimann	5,940,811	A	8/1999	Norris
5,583,759	A	12/1996	Geer	5,940,844	A	8/1999	Cahill et al.
5,583,760	A	12/1996	Klesse	5,943,656	A	8/1999	Crooks
5,590,196	A	12/1996	Moreau	5,945,653	A	8/1999	Walker et al.
5,590,197	A	12/1996	Chen	5,956,700	A	9/1999	Landry
5,592,377	A	1/1997	Lipkin	5,963,647	A	10/1999	Downing et al.
5,592,378	A	1/1997	Cameron	5,963,659	A	10/1999	Cahill et al.
5,599,528	A	2/1997	Igaki	5,963,925	A	10/1999	Kolling et al.
5,603,025	A	2/1997	Tabb	5,966,698	A	10/1999	Pollin
5,615,109	A	3/1997	Eder	5,978,780	A	11/1999	Watson
5,621,201	A	4/1997	Langhans	5,987,435	A	11/1999	Weiss et al.
5,640,577	A	6/1997	Scharmer	5,987,436	A	11/1999	Halbrook
5,642,419	A	6/1997	Rosen	5,987,439	A	11/1999	Gustin et al.
5,649,117	A	7/1997	Landry	5,991,750	A	11/1999	Watson
5,650,604	A	7/1997	Marcous et al.	6,000,832	A	12/1999	Franklin et al.
5,652,786	A	7/1997	Rogers	6,002,392	A	12/1999	Simon et al.
5,659,165	A	8/1997	Jennings	6,003,762	A	12/1999	Hayashida
5,659,469	A	8/1997	Deaton et al.	6,006,208	A	12/1999	Forst et al.
5,659,741	A	8/1997	Eberhardt	6,009,442	A	12/1999	Chen et al.
5,666,493	A	9/1997	Wojcik et al.	6,014,636	A	1/2000	Reeder
5,677,955	A	10/1997	Doggett et al.	6,016,482	A	1/2000	Molinari et al.
5,679,938	A	10/1997	Templeton	6,029,139	A	2/2000	Cunningham et al.
5,679,940	A	10/1997	Templeton	6,032,133	A	2/2000	Hilt et al.
5,692,132	A	11/1997	Hogan	6,032,137	A	2/2000	Ballard
5,699,528	A	12/1997	Hogan	6,035,281	A	3/2000	Crosskey et al.
5,703,344	A	12/1997	Bezy et al.	6,035,285	A	3/2000	Schlecht et al.
5,704,044	A	12/1997	Tarter et al.	6,035,287	A	3/2000	Stallaert et al.
5,708,422	A	1/1998	Blonder et al.	6,038,553	A	3/2000	Hyde, Jr.
5,715,298	A	2/1998	Rogers	6,041,312	A	3/2000	Bickerton et al.
5,715,314	A	2/1998	Payne	6,041,315	A	3/2000	Pollin
5,715,399	A	2/1998	Bezos	6,044,362	A	3/2000	Neely
5,717,989	A	2/1998	Tozzoli et al.	6,045,039	A	4/2000	Stinson et al.
5,724,424	A	3/1998	Gifford	6,052,674	A	4/2000	Zervides et al.
				6,058,380	A	5/2000	Anderson et al.



- Anonymous, Chase Manhattan introduces new FEDI payables product, ProQuest document ID: 7806951, ISSN/ISBN: 02686635, May 1995.
- Bills, Chase Pact Done, What's Next for Web Vendors?, The American Banker, Technology Section, Jun. 3, 2002, p. 23.
- Reinbach, Chase steps up treasury system, ProQuest document ID 8723558, ISSN/ISBN: 10459472, Nov. 1995.
- Anonymous, Chasing the global trend, Cash Management News, proQuest document ID 9319923, ISSN/ISBN: 02686635, Dec. 1995.
- Malhotra, Clearing House Enumerates e-Payments Ills, The American Banker, vol. 167, No. 154, Aug. 23, 2002.
- Marjanovic, Corporate Services: Chase Gears Up Global Payments System Series: 16, The American Banker, vol. 160, Issue 174, Sep. 11, 1995, p. 41.
- Gluck, Creating a Global Cash-Management Game Plan, Bank Systems & Technology, Feb. 1997, p. 28.
- Lamond, Credit Card Transactions Real World and Online, Paying by Credit Card-Real World and Online, <http://www.virtualschool.edu/mon/ElectronicProperty/klamond/credit>, printed Jul. 8, 2005, 17 pages.
- Dialog file 20, #10279554, Mar. 25, 2000.
- Du Pont's Electronic Payments, Corporate EFT Report, v9, n1, Dialog file 636, Accession No. 01066902, Jan. 11, 1989.
- Carreker, Electronic check presentment: Capturing new technology, <http://proquest.umi.com>, Banking Management, Rolling Meadows: vol. 71, Issue 2, Mar./Apr. 1995, p. 32, 5 pages.
- Fidelity Helps Fund Sellers Trim the Taxes They'll Owe, The Wall Street Journal, Nov. 7, 2002.
- First Data markets stored-value cards, Cards International, Jan. 30, 1996, p. 5.
- Norris, First data unit develops blockbuster cash card, Omaha World Herald Sunrise Edition, Business Section, Jan. 19, 1996, p. 16.
- Harsh Truth: Your Investments Likely Won't Make Any Money. Money, Initial Launch to 200 Credit Unions, USA Today.com, Jun. 27, 2002.
- Decovny, Net Scope, Banking Technology, May 1997.
- Nokia Announces the World's First NFC Enabled Mobile Product for Contactless Payment and Ticketing, PRNewswire, Feb. 9, 2005.
- Goode, On Profit, Loss and the Mysteries of the Mind, The New York Times, Nov. 5, 2002.
- Anonymous, Operating in a multi-currency environment, ProQuest document ID 9215937, ISSN/ISBN 09589309, Oct. 1995.
- Maher and Troutman, Payor's Prescription for Painless Migration to Electronic Healthcare Payments and Remittance Advices, PNC Bank, Dec. 2001.
- Press Release, Mar. 5, 2004, Payment Data Systems Files Patent on Debit Card Payment Solution, American City Business Journals, Inc., Mar. 5, 2004.
- Anonymous, Systems spell change for foreign exchange, Global Investor, ProQuest document ID 1056152B, ISSN/ISBN: 09513604, Nov. 1996.
- French, Tech Stocks: Market Movers, Investors Worry CheckFree Being Chased from Its Own Game, <http://www.thestreet.com>, Jun. 20, 2002.
- Technology, In Brief Wachovia-IntellData Deal, May 7, 2002.
- Zuckerman, The Hedge-Fund Craze, The Wall Street Journal, Jun. 12, 2002.
- McDonald, The Stars in the Sky Flicker, And Fund Stars Do the Same, The Wall Street Journal, Jan. 15, 2003.
- Anonymous, Visa & Carnegie Mellon Plan Online Payment Scheme, Newsbyte News Network, Feb. 15, 1995.
- Financial News, Wells Fargo Rolls Out Nationwide Lockbox Check Conversion, PR Newswire Association, Apr. 22, 2003.

\* cited by examiner

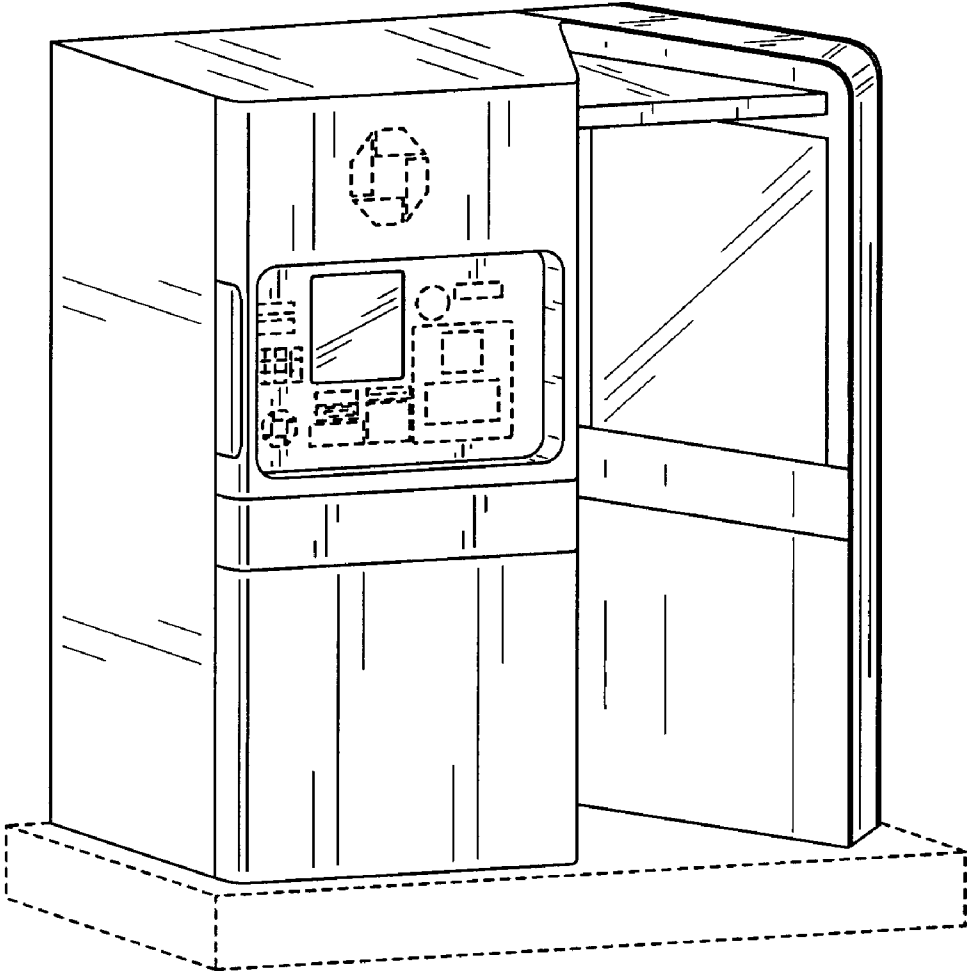


FIG. 1

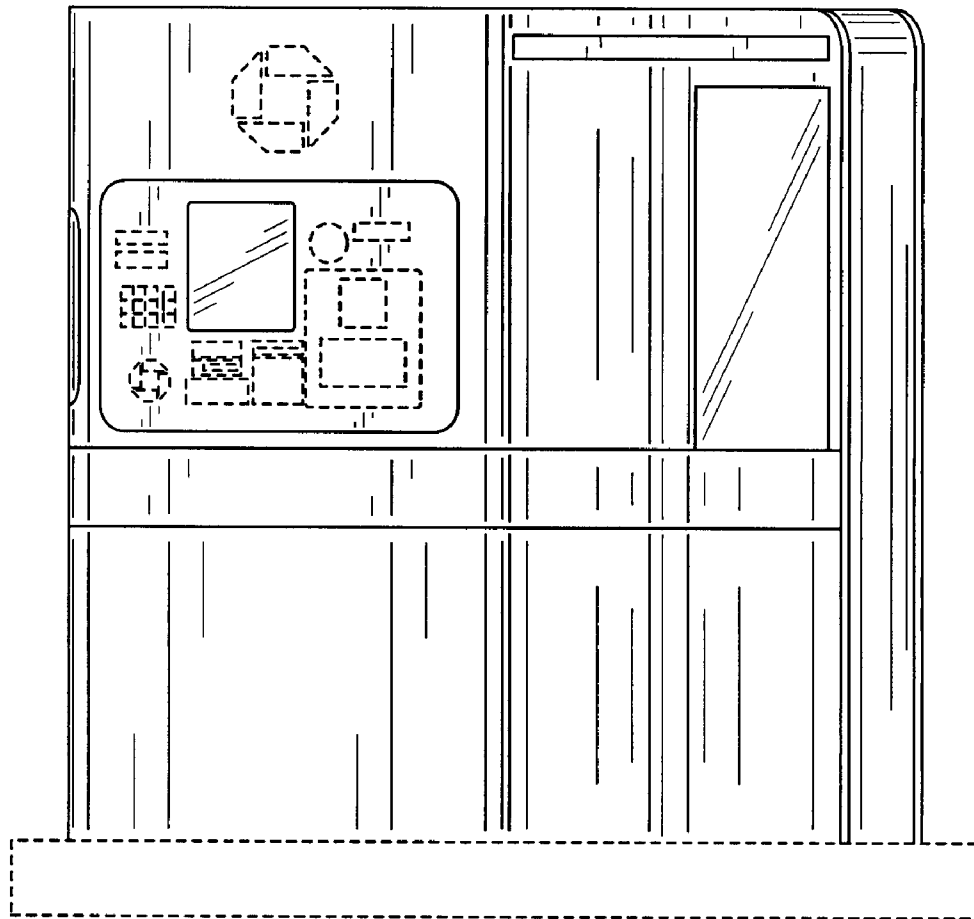


FIG. 2

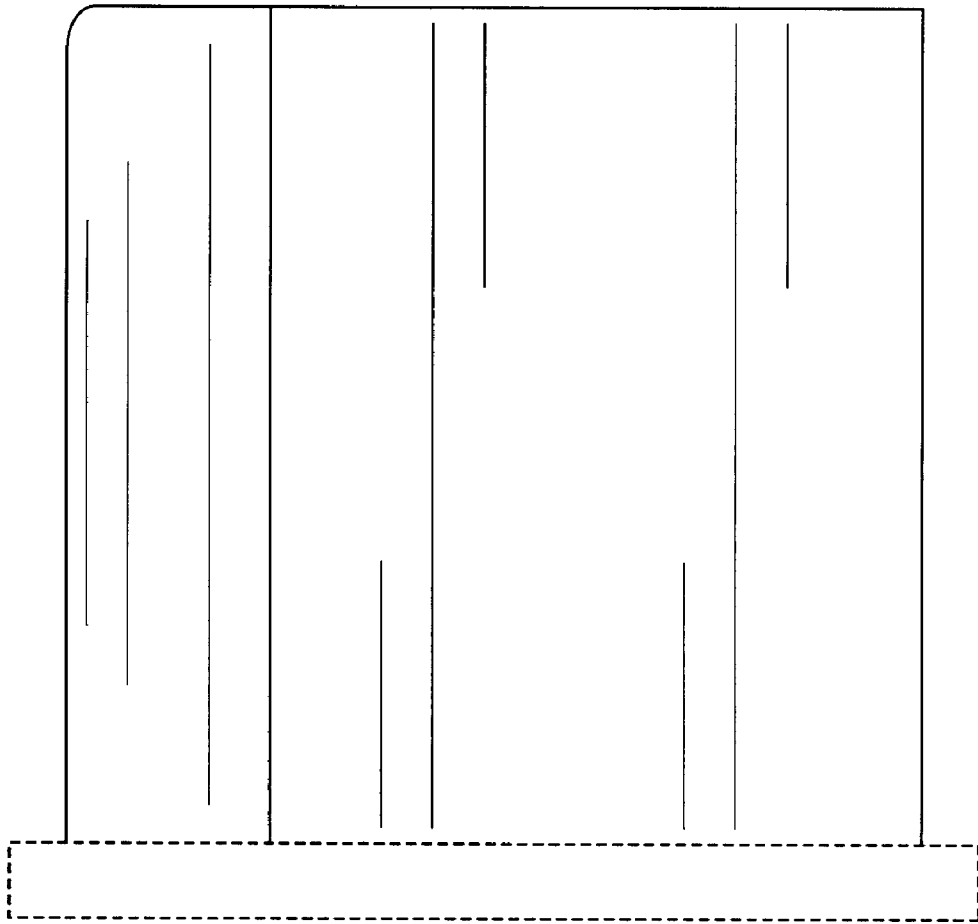


FIG. 3

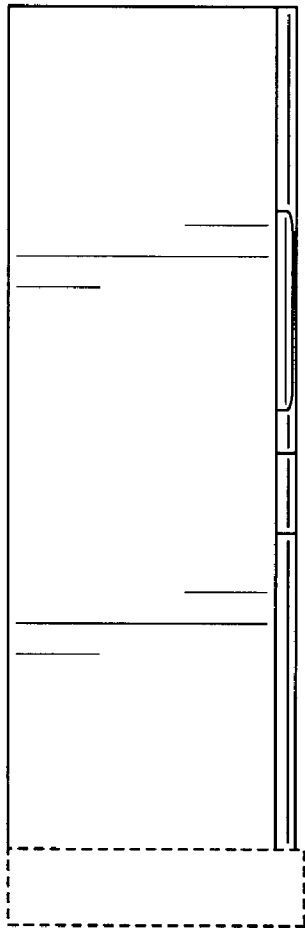


FIG. 4

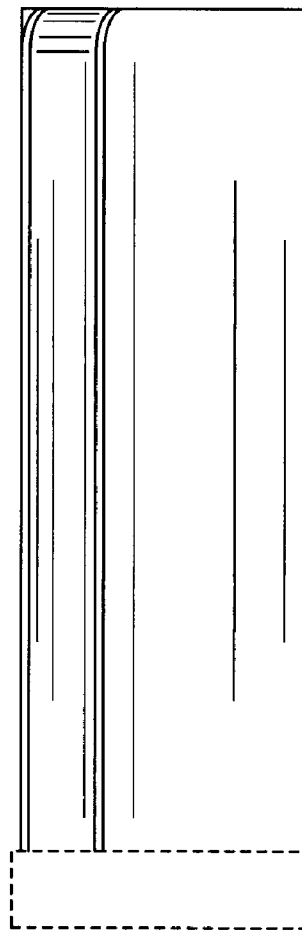


FIG. 5



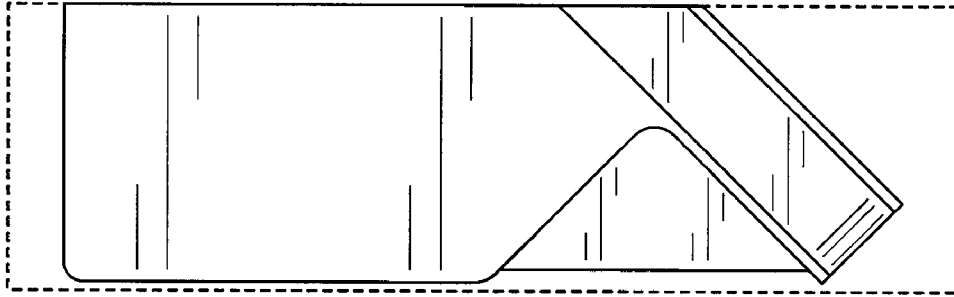


FIG. 6



FIG. 7