



US00D842284S

(12) **United States Design Patent**  
**Pei**

(10) **Patent No.:** **US D842,284 S**

(45) **Date of Patent:** **\*\* Mar. 5, 2019**

(54) **FLAT TV MOUNT**

CPC ..... A47B 43/00; G03B 1/00  
See application file for complete search history.

(71) Applicant: **Xu Bo Pei**, Shenzhen (CN)

(56) **References Cited**

(72) Inventor: **Xu Bo Pei**, Shenzhen (CN)

U.S. PATENT DOCUMENTS

(\*\*) Term: **15 Years**

- D634,739 S \* 3/2011 Molter ..... D14/239
- D636,765 S \* 4/2011 Molter ..... D14/239
- D682,258 S \* 5/2013 Anderson ..... D14/239
- D700,593 S \* 3/2014 Xiang ..... D14/239
- 8,827,226 B2 \* 9/2014 Townsend ..... F16M 11/10  
220/3.5

(21) Appl. No.: **29/639,503**

(22) Filed: **Mar. 6, 2018**

(30) **Foreign Application Priority Data**

Jan. 8, 2018 (CN) ..... 2018 3 0007161

\* cited by examiner

*Primary Examiner* — Randall H Gholson

(51) **LOC (11) Cl.** ..... **14-03**

(74) *Attorney, Agent, or Firm* — JCIPRNET

(52) **U.S. Cl.**

(57) **CLAIM**

USPC ..... **D14/239**

The ornamental design for a flat TV mount, as shown and described.

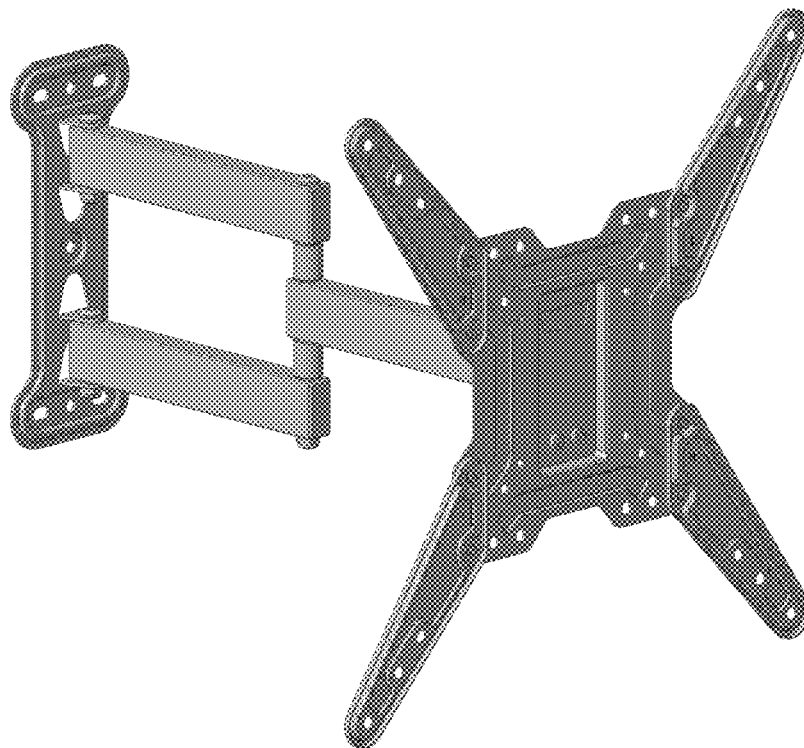
(58) **Field of Classification Search**

**DESCRIPTION**

USPC ..... D14/239, 371, 136, 374-377; D8/363, D8/373, 349, 394; 248/465, 917-924, 248/123.11; 348/825, 827, 836, 837, 838, 348/180, 184, 325, 739; 600/443; D6/477-479, 407, 474, 460, 461, 468; 312/7.2; 341/12; 345/87, 104, 133, 156, 345/168, 169, 173; 720/605, 669, 600, 720/655; 369/99, 197; 455/344-347; 349/1, 2, 11, 62; 108/59, 91, 92, 96; 211/40, 41.12, 42, 49.1, 50, 85.2, 90.04, 211/187, 190, 119.003, 134.153, 87.01, 211/71.01

FIG. 1 is a perspective view of a flat TV mount showing my new design;  
 FIG. 2 is a front view thereof;  
 FIG. 3 is a rear view thereof;  
 FIG. 4 is a left side view thereof;  
 FIG. 5 is a right side view thereof;  
 FIG. 6 is a top view thereof; and,  
 FIG. 7 is a bottom view thereof.

**1 Claim, 7 Drawing Sheets**



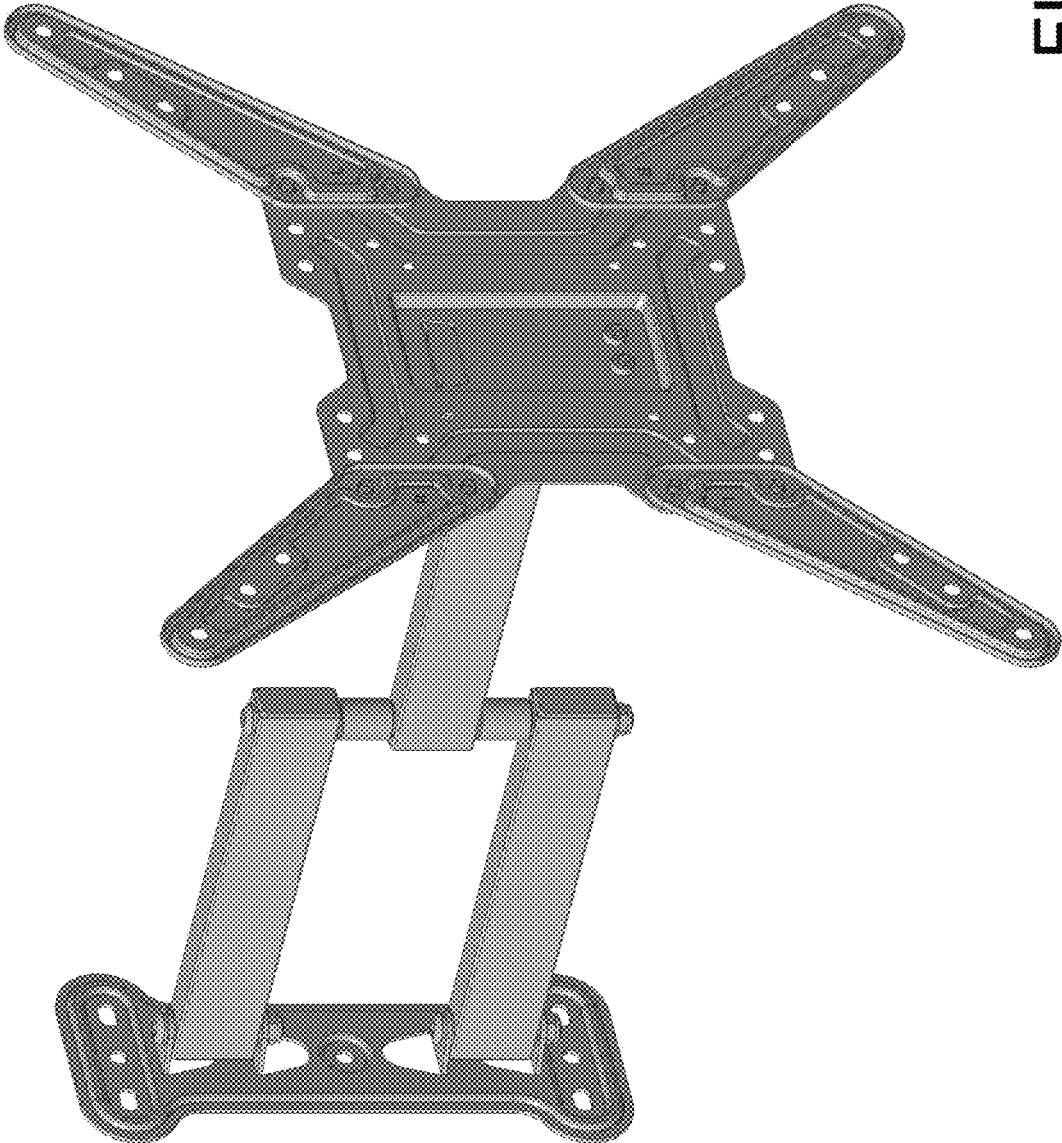


FIG. 1

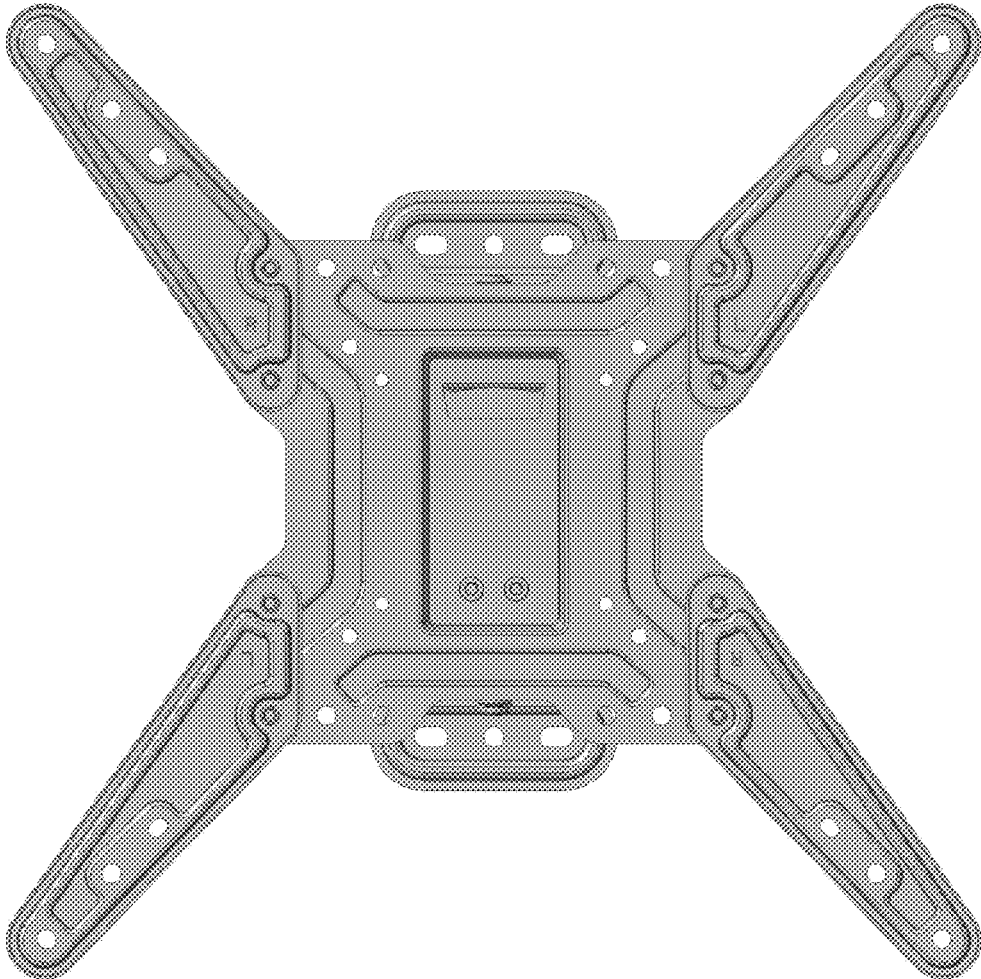


FIG. 2

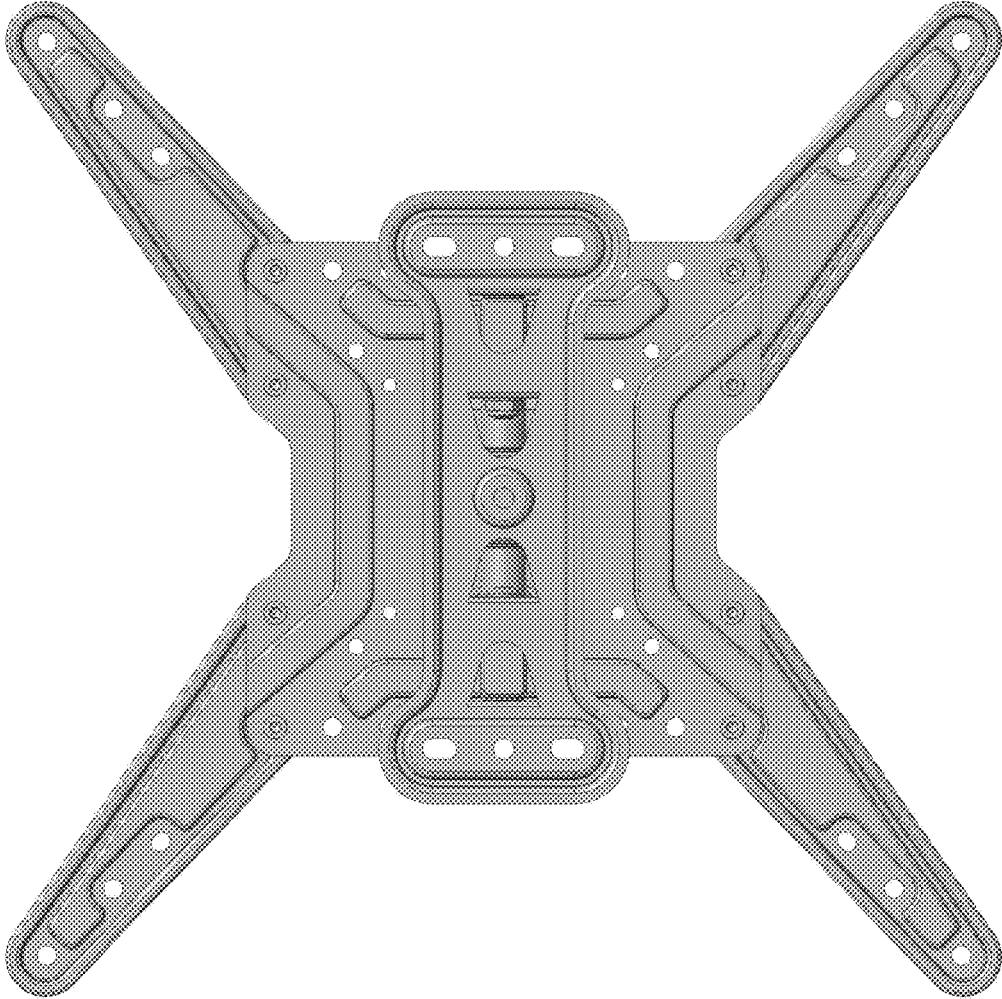


FIG. 3

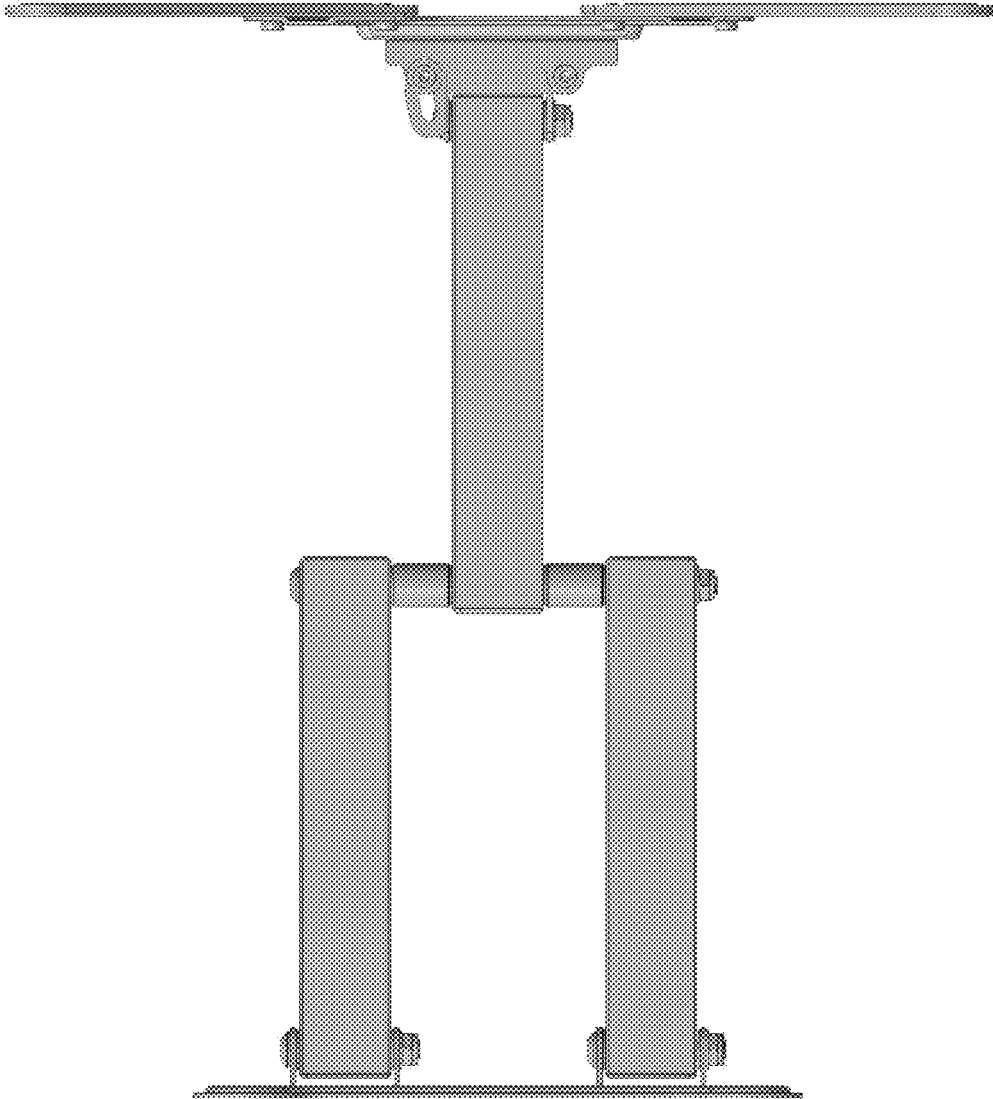


FIG. 4

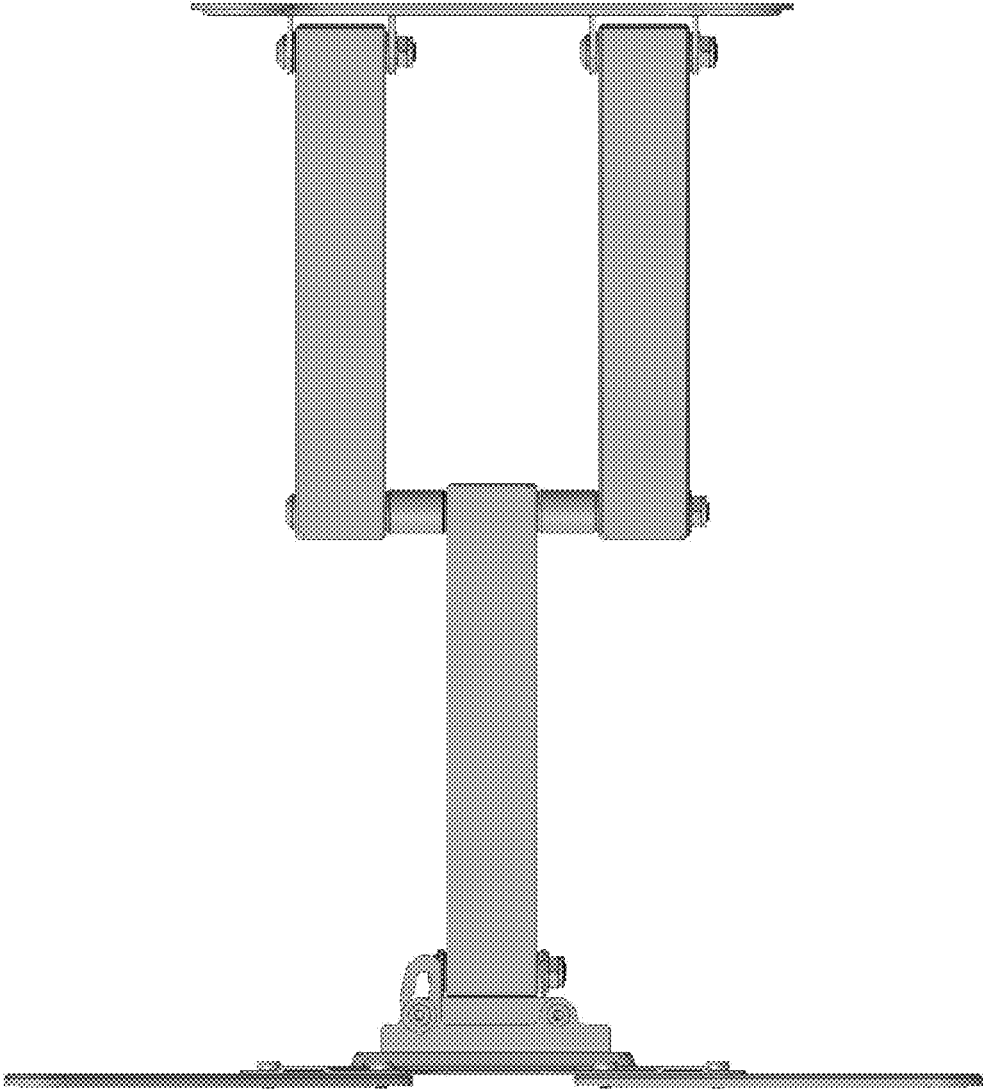


FIG. 5

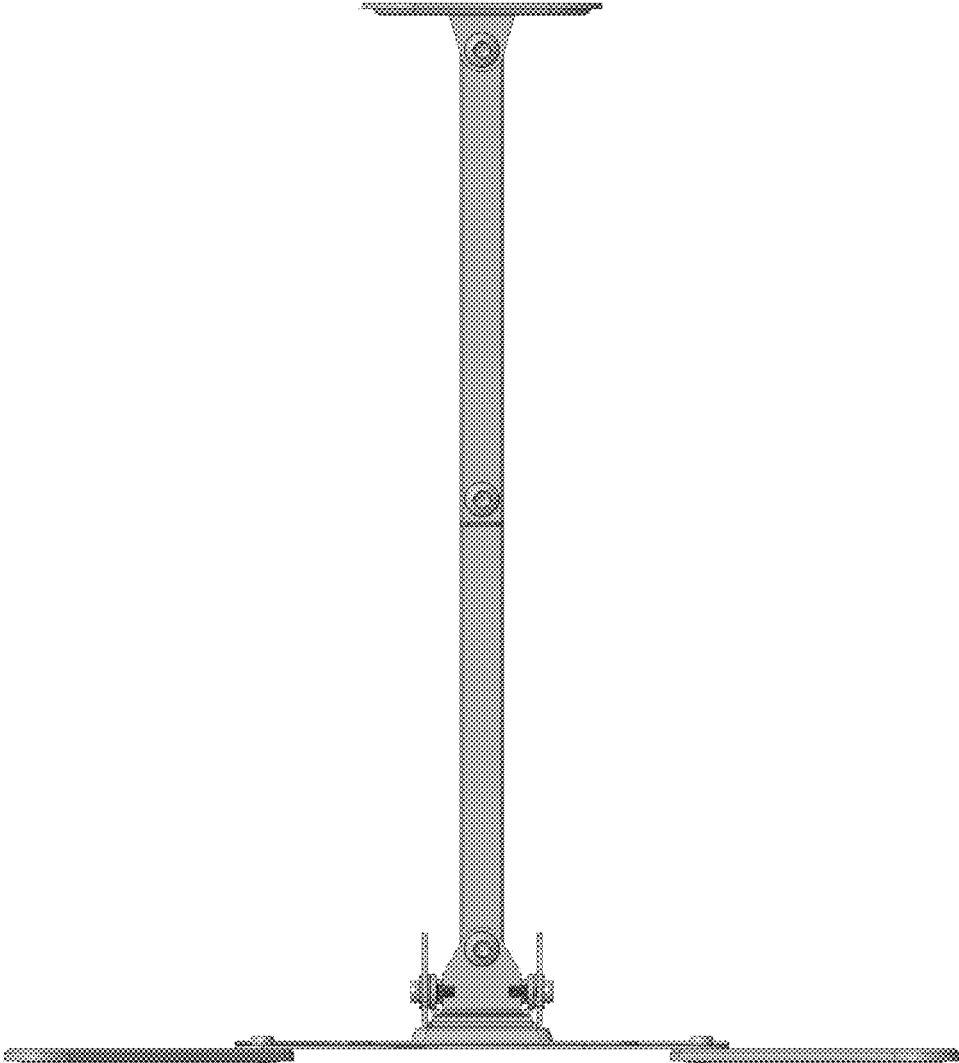


FIG. 6

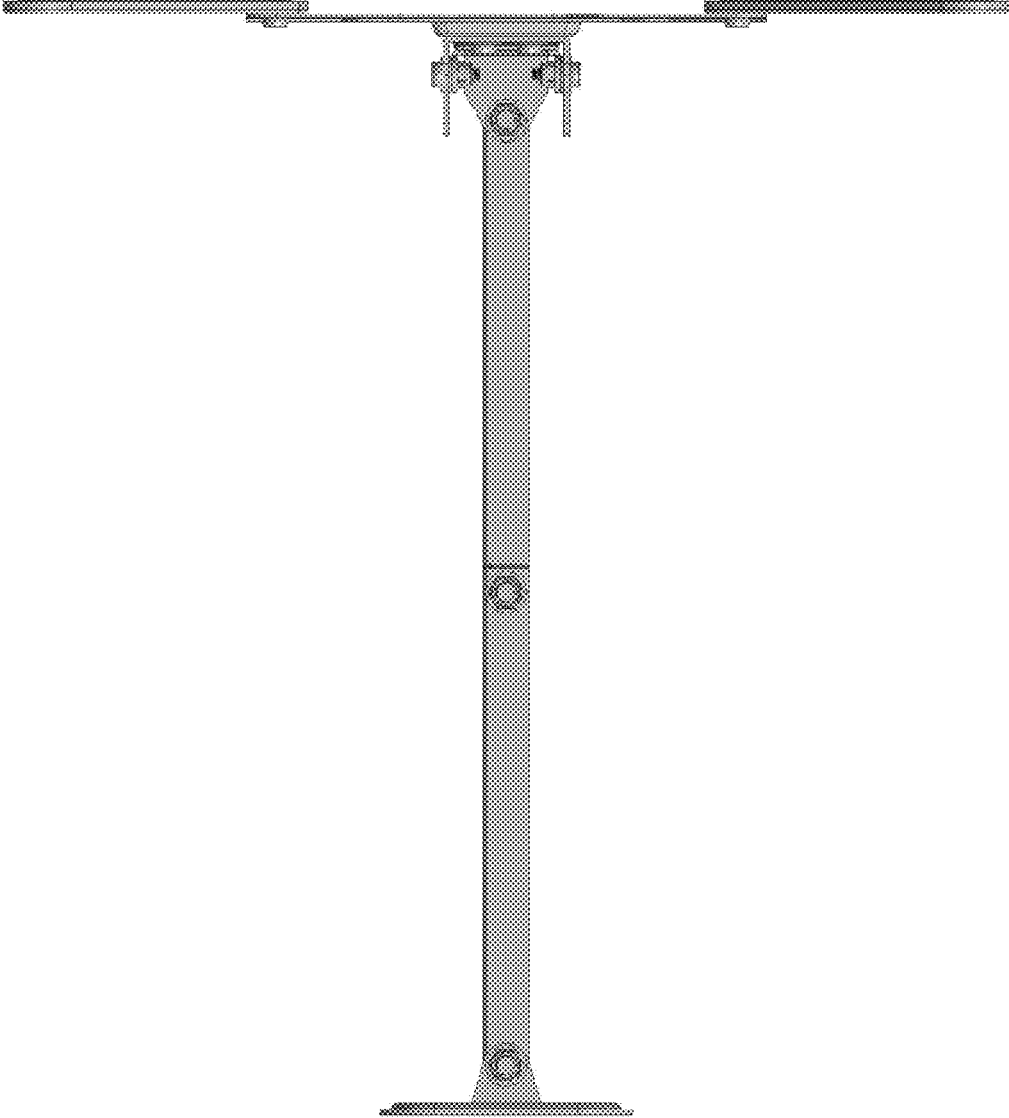


FIG. 7