

(19) World Intellectual Property Organization  
International Bureau



(43) International Publication Date  
16 July 2009 (16.07.2009)

(10) International Publication Number  
**WO 2009/089184 A3**

(51) International Patent Classification:  
*H02J 7/00* (2006.01)

(21) International Application Number:  
PCT/US2009/030161

(22) International Filing Date:  
5 January 2009 (05.01.2009)

(25) Filing Language: English

(26) Publication Language: English

(30) Priority Data:  
61/018,922 4 January 2008 (04.01.2008) US

(71) Applicant and

(72) Inventor: **RANDALL, Mitch** [US/US]; 1695 Denison Circle, Longmont, Colorado 80501 (US).

(74) Agents: **YOUNG, James R.** et al.; Cochran Freund & Young LLC, 2026 Caribou Drive, Suite 201, Fort Collins, Colorado 80525 (US).

(81) Designated States (unless otherwise indicated, for every kind of national protection available): AE, AG, AL, AM, AO, AT, AU, AZ, BA, BB, BG, BH, BR, BW, BY, BZ, CA, CH, CN, CO, CR, CU, CZ, DE, DK, DM, DO, DZ,

EC, EE, EG, ES, FI, GB, GD, GE, GH, GM, GT, HN, HR, HU, ID, IL, IN, IS, JP, KE, KG, KM, KN, KP, KR, KZ, LA, LC, LK, LR, LS, LT, LU, LY, MA, MD, ME, MG, MK, MN, MW, MX, MY, MZ, NA, NG, NI, NO, NZ, OM, PG, PH, PL, PT, RO, RS, RU, SC, SD, SE, SG, SK, SL, SM, ST, SV, SY, TJ, TM, TN, TR, TT, TZ, UA, UG, US, UZ, VC, VN, ZA, ZM, ZW.

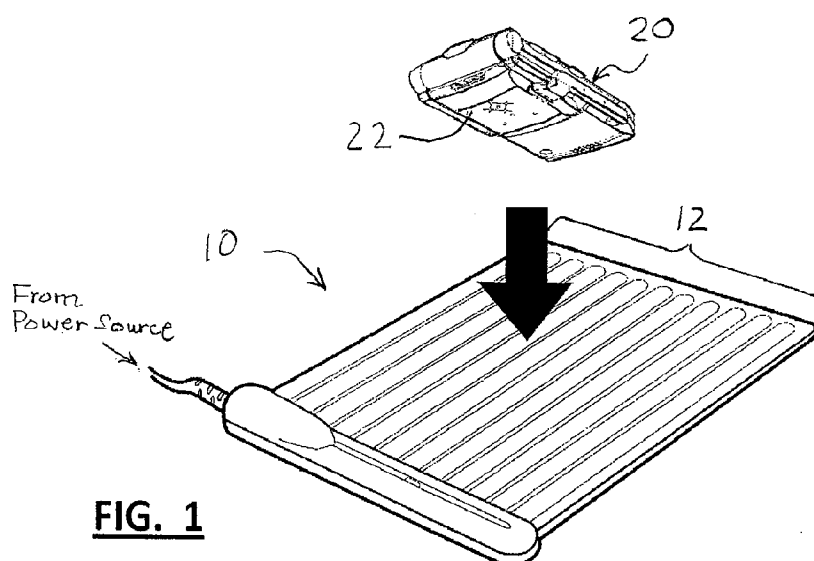
(84) Designated States (unless otherwise indicated, for every kind of regional protection available): ARIPO (BW, GH, GM, KE, LS, MW, MZ, NA, SD, SL, SZ, TZ, UG, ZM, ZW), Eurasian (AM, AZ, BY, KG, KZ, MD, RU, TJ, TM), European (AT, BE, BG, CH, CY, CZ, DE, DK, EE, ES, FI, FR, GB, GR, HR, HU, IE, IS, IT, LT, LU, LV, MC, MK, MT, NL, NO, PL, PT, RO, SE, SI, SK, TR), OAPI (BF, BJ, CF, CG, CI, CM, GA, GN, GQ, GW, ML, MR, NE, SN, TD, TG).

Published:

— with international search report (Art. 21(3))

(88) Date of publication of the international search report:  
14 January 2010

(54) Title: DEVICE COVER WITH EMBEDDED POWER RECEIVER



**FIG. 1**

(57) Abstract: A charging system comprises circuitry adapted to devices to be charged, including a power receiver module embedded or molded into form-fit case, e.g., gel-skin, that attaches physically and electrically to the device to be charged and that effectively receives power either conductively or inductively from a power delivery surface of a recharging pad on which the devices are placed.



WO 2009/089184 A3

## INTERNATIONAL SEARCH REPORT

International application No.

PCT/US 09/30161

<b>A. CLASSIFICATION OF SUBJECT MATTER</b> IPC(8) - H02J 7/00 (2009.01) USPC - 320/114 According to International Patent Classification (IPC) or to both national classification and IPC		
<b>B. FIELDS SEARCHED</b> Minimum documentation searched (classification system followed by classification symbols) IPC(8) - H02J 7/00 (2009.01) USPC - 320/114 Documentation searched other than minimum documentation to the extent that such documents are included in the fields searched USPC - 320/107, 115 (keyword-limited:see terms below) Electronic data base consulted during the international search (name of data base and, where practicable, search terms used) Google, Google Patents, PUBWEST (PGPB, USPT, USOC, EPAB, JPAB) Search Terms Used: Electronic, device, cover, power, receiving, circuitry, inductive, coil, capacitor, frequency, generator, resonance, current, voltage, phase, rectifier, flexible, printed, circuit, board, carrier, charging, electrical, conductors, delivery.		
<b>C. DOCUMENTS CONSIDERED TO BE RELEVANT</b>		
Category*	Citation of document, with indication, where appropriate, of the relevant passages	Relevant to claim No.
X --- Y	US 2004/0195767 A1 (RANDALL) 07 OCTOBER 2004 (07.10.2004) Figure 3a, para [0030], Figure 1a.	1-3, 13-15, 23, 24 ----- 4-12, 16, 17
X --- Y	US 2007/0182367 A1 (PATROVI) 09 AUGUST 2007 (09.08.2007) para [0013], para [0073], Figure 6, Figure 9, para [0084], para [0085], para [0076], para [0110], para [0111]	18-20, 22, 25-28 ----- 4-12, 16, 17
Y	US US 5,175,409 A (KENT) 29 DECEMBER 1992 (29.12.1992) col 7, ln 50 - ln 53.	8, 9, 17
<input type="checkbox"/> Further documents are listed in the continuation of Box C. <input type="checkbox"/>		
* Special categories of cited documents: "A" document defining the general state of the art which is not considered to be of particular relevance "E" earlier application or patent but published on or after the international filing date "L" document which may throw doubts on priority claim(s) or which is cited to establish the publication date of another citation or other special reason (as specified) "O" document referring to an oral disclosure, use, exhibition or other means "P" document published prior to the international filing date but later than the priority date claimed "T" later document published after the international filing date or priority date and not in conflict with the application but cited to understand the principle or theory underlying the invention "X" document of particular relevance; the claimed invention cannot be considered novel or cannot be considered to involve an inventive step when the document is taken alone "Y" document of particular relevance; the claimed invention cannot be considered to involve an inventive step when the document is combined with one or more other such documents, such combination being obvious to a person skilled in the art "&" document member of the same patent family		
Date of the actual completion of the international search 28 April 2009 (28.04.2009)		Date of mailing of the international search report <b>12 MAY 2009</b>
Name and mailing address of the ISA/US Mail Stop PCT, Attn: ISA/US, Commissioner for Patents P.O. Box 1450, Alexandria, Virginia 22313-1450 Facsimile No. 571-273-3201		Authorized officer: Lee W. Young PCT Helpdesk: 571-272-4300 PCT OSP: 571-272-7774