



US00D745019S

(12) **United States Design Patent**  
**Kim et al.**

(10) **Patent No.:** **US D745,019 S**

(45) **Date of Patent:** **\*\* Dec. 8, 2015**

(54) **DISPLAY SCREEN OR PORTION THEREOF WITH ICON**

(71) Applicant: **Samsung Electronics Co., Ltd.**,  
Suwon-si, Gyeonggi-do (KR)

(72) Inventors: **Min-Sun Kim**, Seongnam-si (KR);  
**Eun-Young Kim**, Seoul (KR)

(73) Assignee: **SAMSUNG ELECTRONICS CO., LTD.** (KR)

(\*\*) Term: **14 Years**

(21) Appl. No.: **29/482,633**

(22) Filed: **Feb. 20, 2014**

(30) **Foreign Application Priority Data**

Aug. 22, 2013 (KR) ..... 30-2013-0043056

(51) **LOC (10) CI.** ..... **14-03**

(52) **U.S. CL.**  
USPC ..... **D14/485**

(58) **Field of Classification Search**  
USPC ..... D14/485-495; D20/24; D18/26, 31-33;  
715/702, 764; D9/504  
CPC ..... G06F 3/016; G06F 3/0481; G06F 3/0482  
See application file for complete search history.

(56) **References Cited**

**U.S. PATENT DOCUMENTS**

D396,455 S *	7/1998	Bier	.....	D14/489
D415,416 S *	10/1999	Anderson	.....	D6/678.2
D474,197 S *	5/2003	Nguyen	.....	D14/486
D505,135 S *	5/2005	Sapp	.....	D14/489
D507,002 S *	7/2005	Retuta	.....	D14/486
D511,524 S *	11/2005	Retuta	.....	D14/486
D534,541 S *	1/2007	Retuta	.....	D14/486
D534,915 S *	1/2007	Retuta	.....	D14/486
D544,495 S *	6/2007	Evans	.....	D14/488
D549,713 S *	8/2007	Lewin	.....	D14/485

D566,722 S *	4/2008	Jackson	.....	D14/489
D574,395 S *	8/2008	Loretan	.....	D14/487
D580,820 S *	11/2008	Daykin	.....	D11/216
D590,838 S *	4/2009	Bisig	.....	D14/492
D656,941 S *	4/2012	Jones	.....	D14/485
D664,976 S *	8/2012	Everingham	.....	D14/487
D665,411 S *	8/2012	Rai	.....	D14/488
D665,419 S *	8/2012	Pizzutelli	.....	D14/492
D667,444 S *	9/2012	Phelan	.....	D14/492
D684,991 S *	6/2013	Wenz	.....	D14/488
D689,096 S *	9/2013	Nagaoka	.....	D14/489
D695,308 S *	12/2013	Lee	.....	D14/491
D696,277 S *	12/2013	Lee	.....	D14/486
D697,930 S *	1/2014	Crabtree	.....	D14/486
D701,219 S *	3/2014	Kim	.....	D14/485
D703,693 S *	4/2014	Brinda	.....	D14/488

(Continued)

**OTHER PUBLICATIONS**

Online Release dated May 9, 2013, [http://apps.samsung.com/mercury/topApps/topAppsDetail.as?COUNTRY\\_CODE=KOR&productId=000000592499?content.samsung.com](http://apps.samsung.com/mercury/topApps/topAppsDetail.as?COUNTRY_CODE=KOR&productId=000000592499?content.samsung.com).

*Primary Examiner* — Brandon M Rosati

*Assistant Examiner* — Rhea Shields

(74) *Attorney, Agent, or Firm* — Cantor Colburn LLP

(57) **CLAIM**

The ornamental design for a display screen or portion thereof with icon, as shown and described.

**DESCRIPTION**

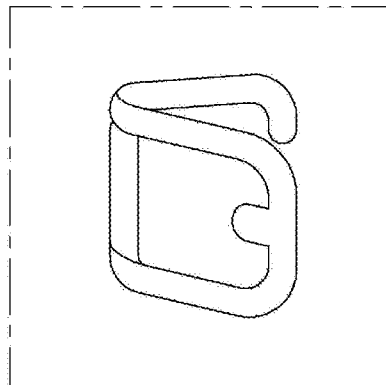
FIG. 1 is a front view of a display screen or portion thereof with icon showing our new design;

FIG. 2 is a second embodiment thereof; and,

FIG. 3 is a third embodiment thereof.

The broken lines illustrating portions of the display screen or portion thereof with icon are for environmental purposes only and form no part of the claimed design. It should be appreciated that at least a portion of the display screen is shown inside the broken lines.

**1 Claim, 3 Drawing Sheets**



(56)

**References Cited**

U.S. PATENT DOCUMENTS

D714,315 S *	9/2014	Pereira .....	D14/485	D726,738 S *	4/2015	Jang .....	D14/485
D714,321 S *	9/2014	Pereira .....	D14/485	D726,762 S *	4/2015	Villanti .....	D14/489
D714,322 S *	9/2014	Pereira .....	D14/485	D727,966 S *	4/2015	Kim .....	D14/492
D718,780 S *	12/2014	Rajaraman .....	D14/486	D729,842 S *	5/2015	Oh .....	D14/493
D719,178 S *	12/2014	Daniel .....	D14/485	D729,843 S *	5/2015	Bray .....	D14/493
				D733,180 S *	6/2015	Brinda .....	D14/488
				D733,757 S *	7/2015	Kim .....	D14/493
				D736,257 S *	8/2015	Kim .....	D14/493

\* cited by examiner

FIG. 1

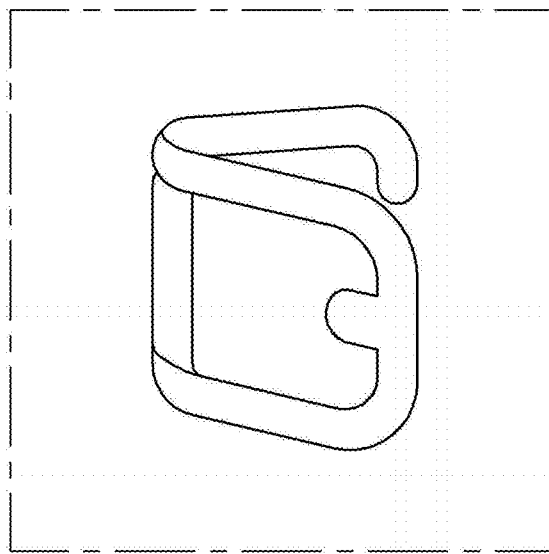


FIG. 2

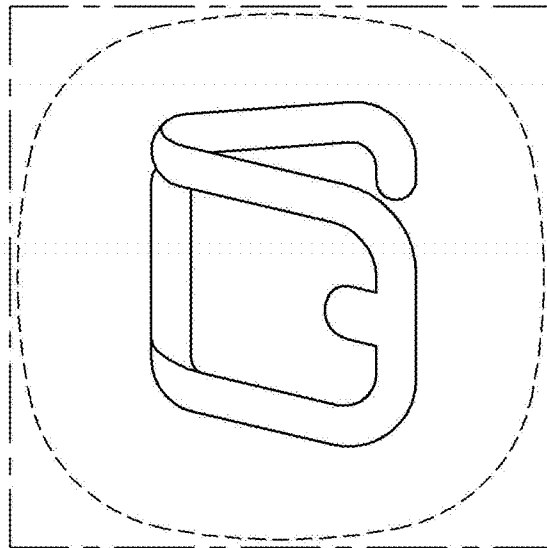


FIG. 3

