



US00D389908S

# United States Patent [19]

[11] Patent Number: **Des. 389,908**

**Dolan**

[45] Date of Patent: **\*\*Jan. 27, 1998**

[54] **COMBINED CEILING FAN MOTOR HOUSING AND LIGHT**

[76] Inventor: **Patrick S. Dolan**, 1901 NW. Upshur, Portland, Oreg. 97209

[\*\*] Term: **14 Years**

[21] Appl. No.: **48,879**

[22] Filed: **Jan. 11, 1996**

[51] LOC (6) Cl. .... **23-04**

[52] U.S. Cl. .... **D23/411; D23/377; D23/385**

[58] Field of Search ..... **D23/377, 379, D23/385, 411; 416/5; 392/364; 362/96; D26/81-86, 88, 51, 59, 72**

[56] **References Cited**

**U.S. PATENT DOCUMENTS**

D. 372,080 7/1996 Dolan ..... D23/377

**OTHER PUBLICATIONS**

Encon Industries, Inc. Brochure, ©1982, front cover, Ceiling Fan A, top of page.

*Primary Examiner*—Lisa Lichtenstein

[57] **CLAIM**

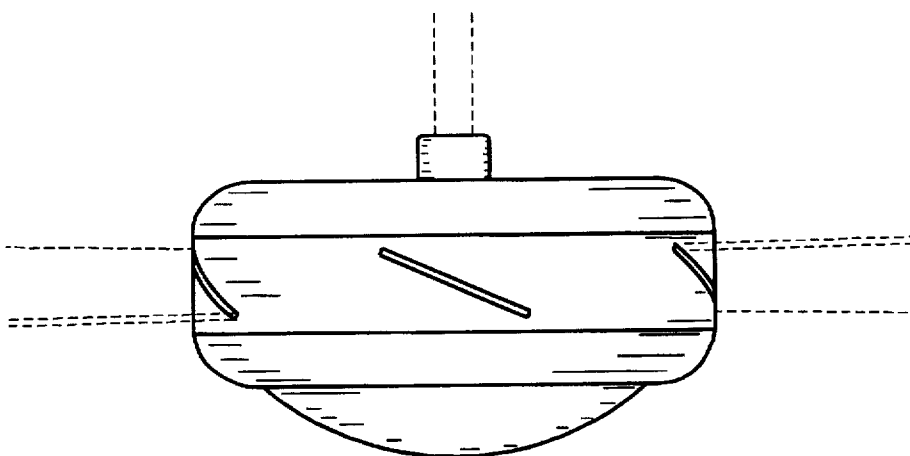
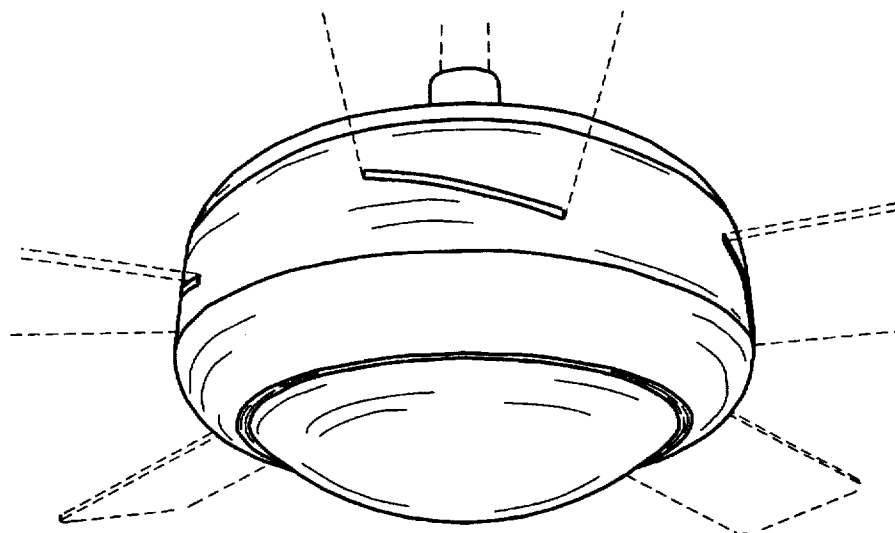
The ornamental design for a combined ceiling fan motor housing and light, as shown and described.

**DESCRIPTION**

FIG. 1 is a perspective view thereof; FIG. 2 is a side view in elevation thereof, the other sides being identical to that shown; FIG. 3 is a top plan view thereof, on a reduced scale; and, FIG. 4 is a bottom plan view thereof, on a slightly reduced scale.

The broken lines shown in the drawing are enviromental only and form no part of the claimed design.

**1 Claim, 4 Drawing Sheets**



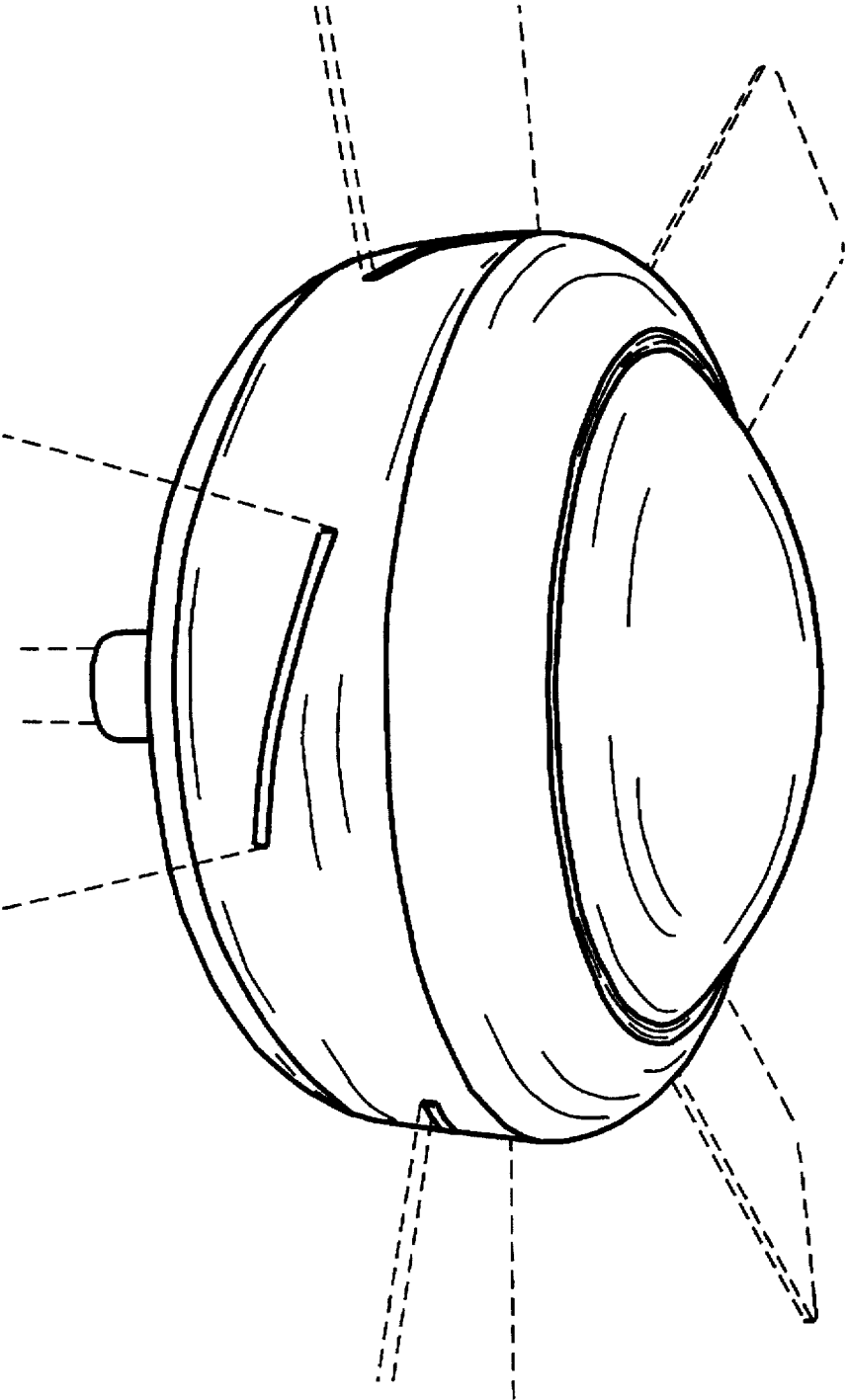


Fig. 1

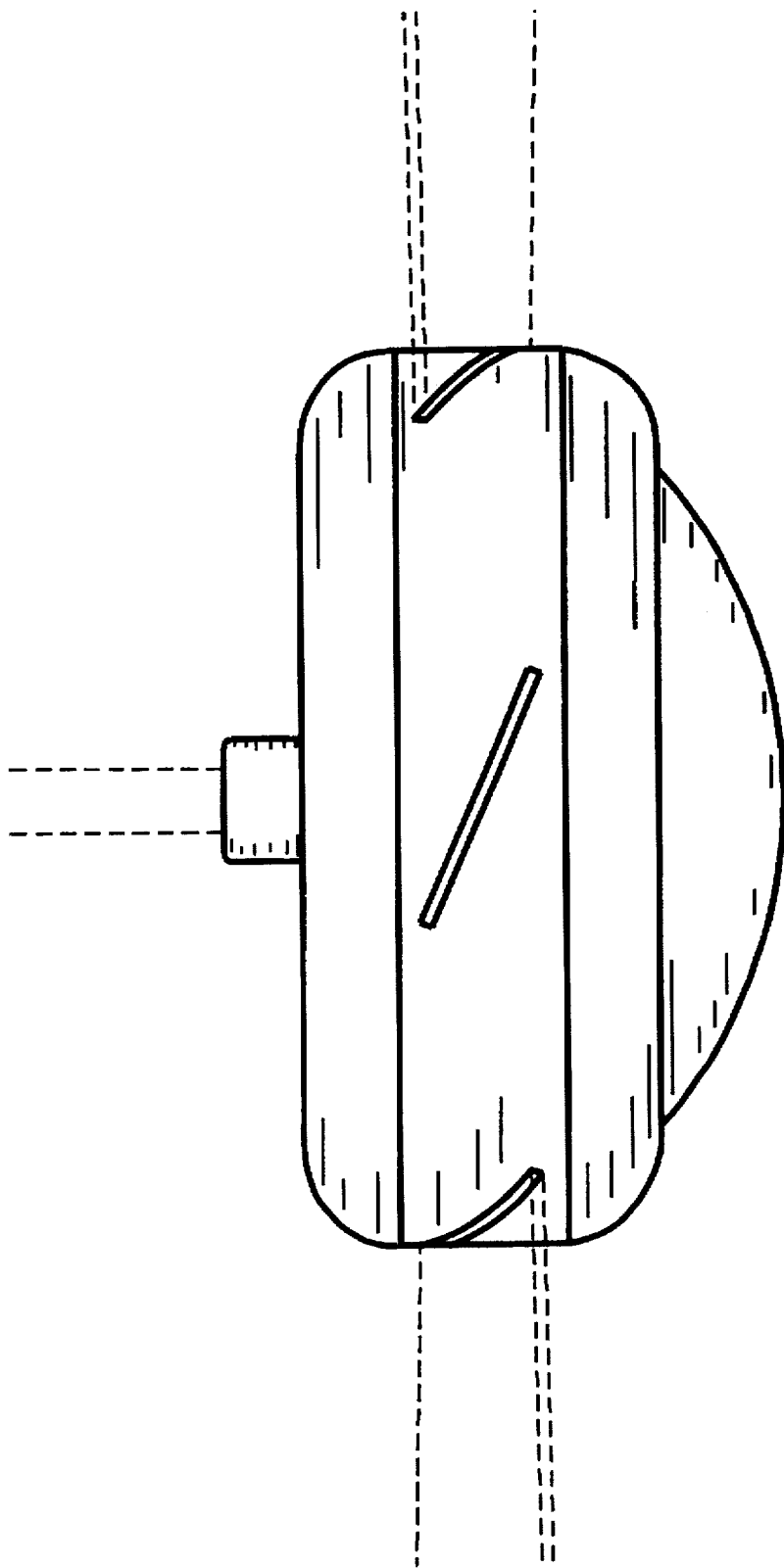


Fig. 2

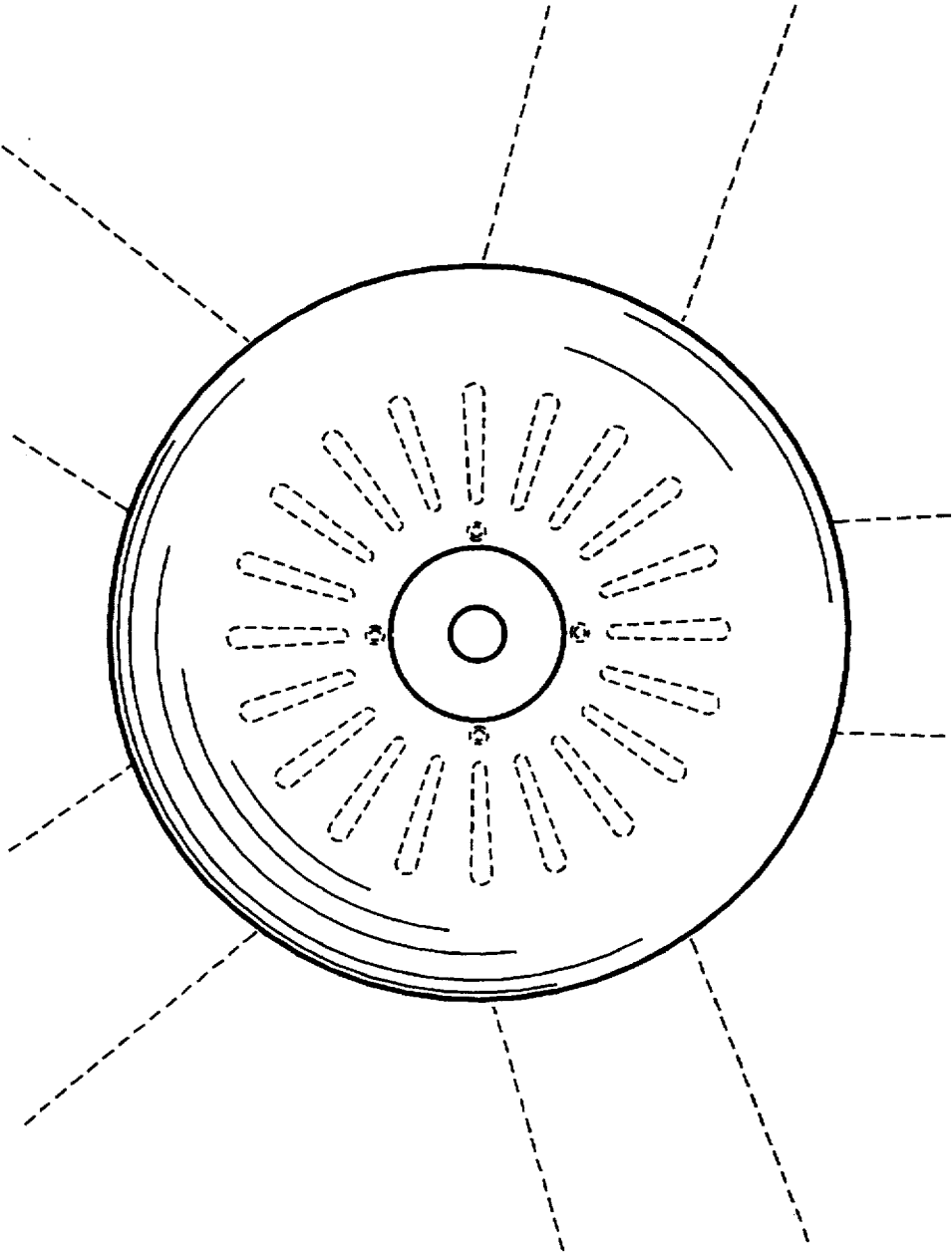


Fig. 3

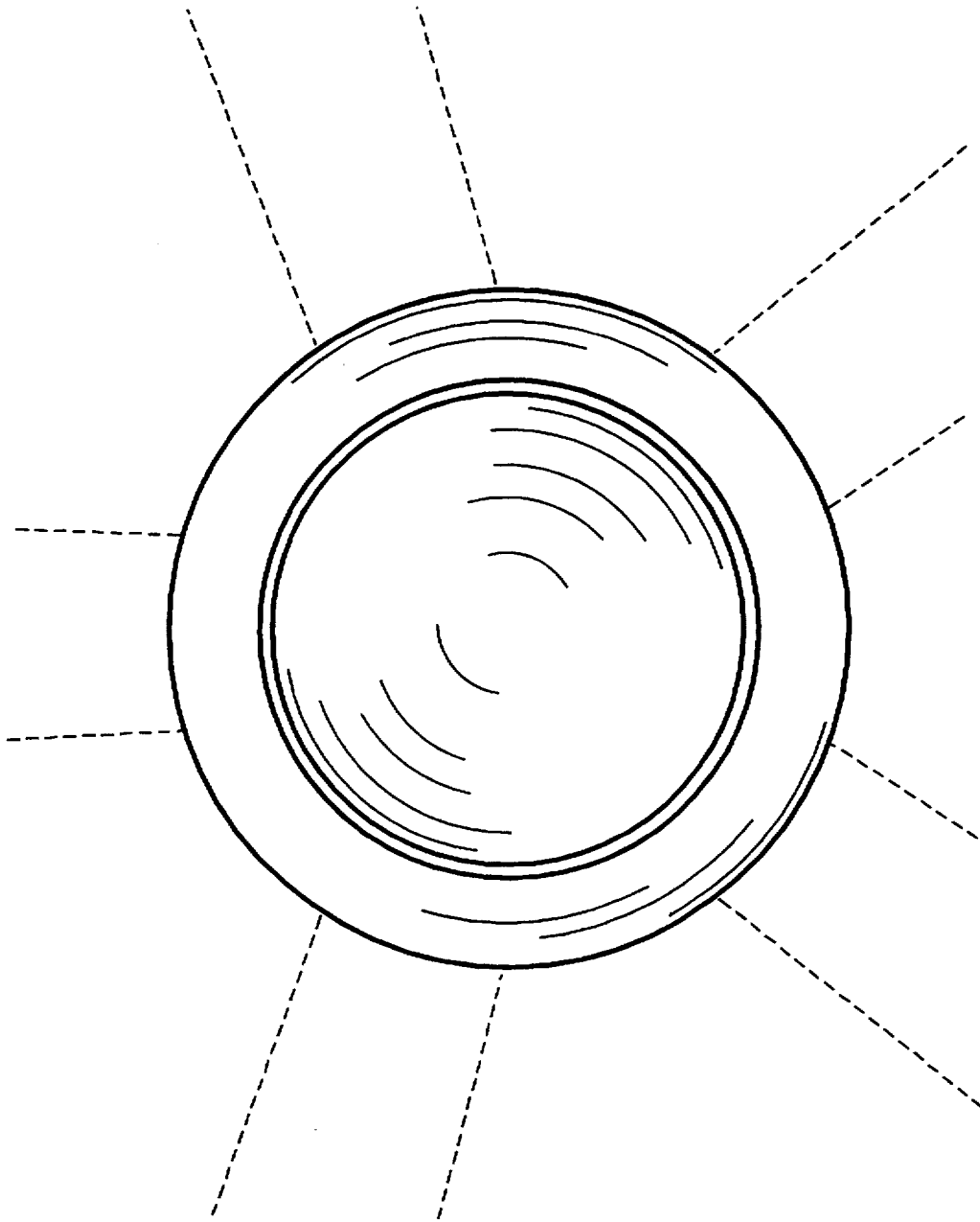


Fig. 4