



US00D515646S

(12) **United States Design Patent** (10) **Patent No.:** **US D515,646 S**
Perry (45) **Date of Patent:** **** Feb. 21, 2006**

(54) **GOLF PUTTER HEAD**

D456,472 S * 4/2002 Yerelian D21/736

(76) Inventor: **Dale Perry**, 15325 Live Oak Springs Canyon Road, Santa Clarita, CA (US) 91387

* cited by examiner

Primary Examiner—Mitchell Siegel
(74) *Attorney, Agent, or Firm*—James E. Brunton, Esq.

(**) Term: **14 Years**

(57) **CLAIM**

(21) Appl. No.: **29/222,612**

The ornamental design for a golf putter head, as shown and described.

(22) Filed: **Feb. 1, 2005**

(51) **LOC (8) Cl.** **21-02**

(52) **U.S. Cl.** **D21/742**

(58) **Field of Classification Search** D21/736-746;
473/324-331, 340, 341, 251-256

See application file for complete search history.

DESCRIPTION

FIG. 1 is a generally perspective view of a golf putter head showing my new design;

FIG. 2 is a front view thereof;

FIG. 3 is a rear view thereof;

FIG. 4 is a side view thereof;

FIG. 5 is a top plan view thereof; and,

FIG. 6 is a bottom plan thereof.

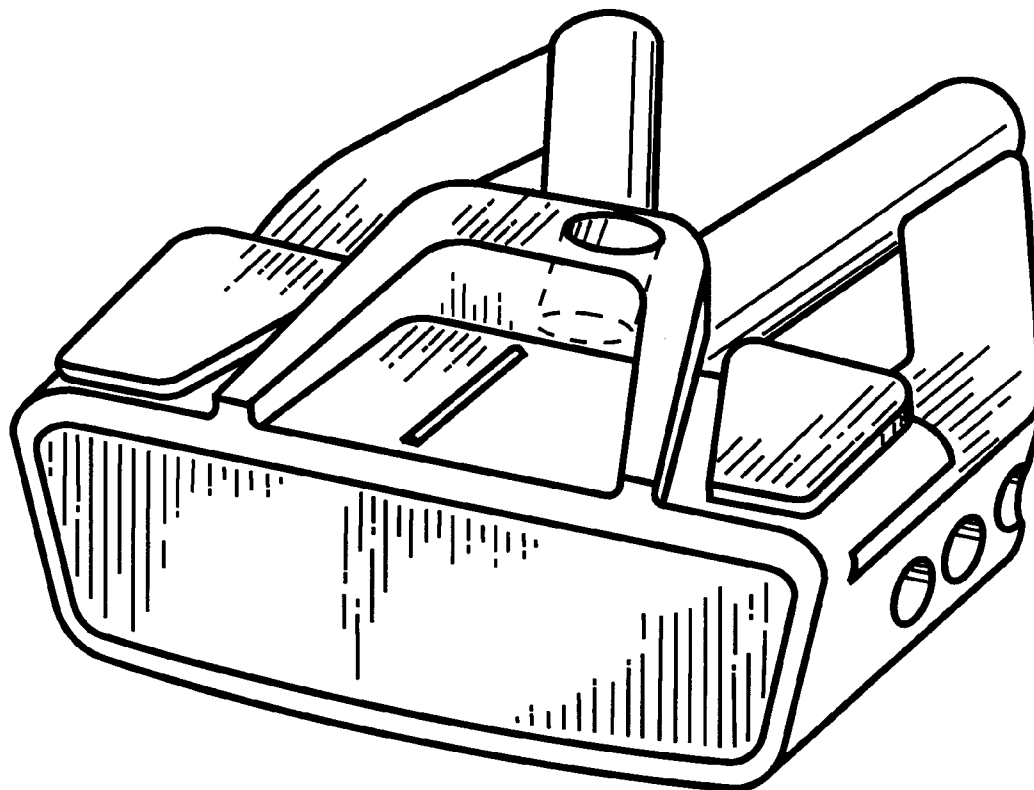
The broken line showing is for illustrative purposes only and forms no part of the claimed design.

(56) **References Cited**

U.S. PATENT DOCUMENTS

D359,330 S * 6/1995 Channell D21/741
D399,274 S * 10/1998 Bradford D21/736
D456,055 S * 4/2002 Yerelian D21/736

1 Claim, 3 Drawing Sheets



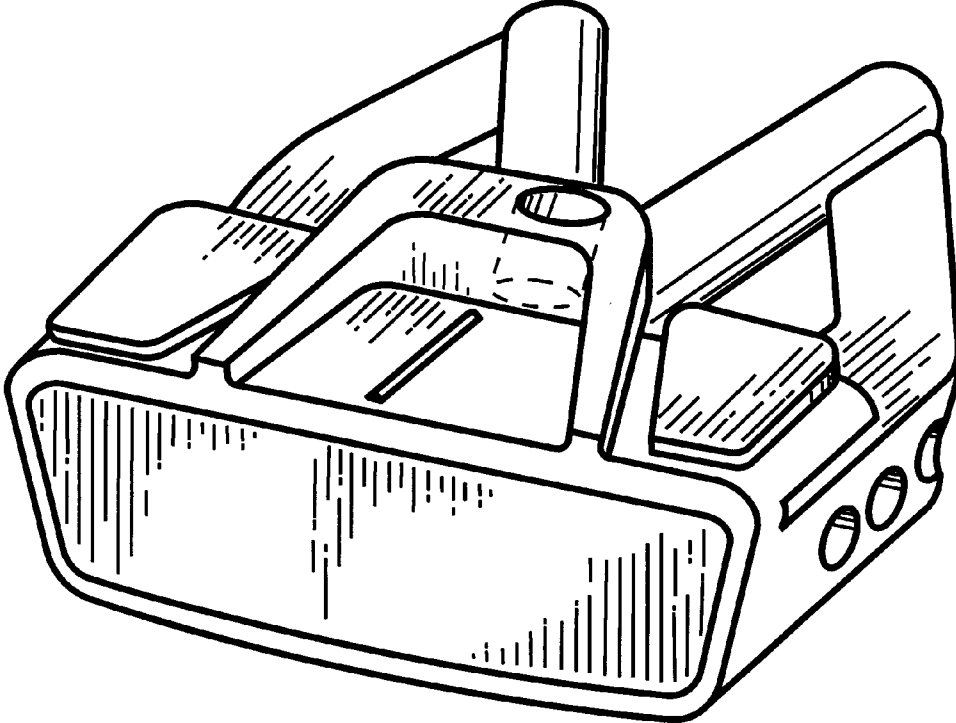


Fig. 1

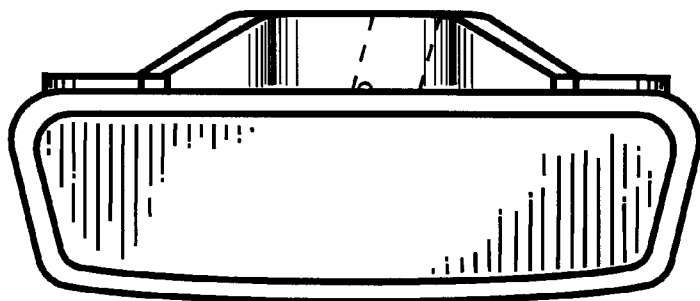


Fig. 2

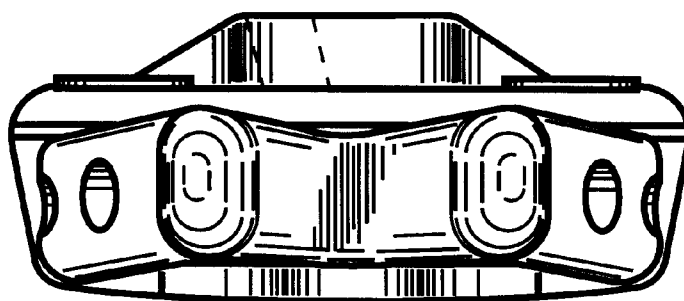


Fig. 3

Fig. 5

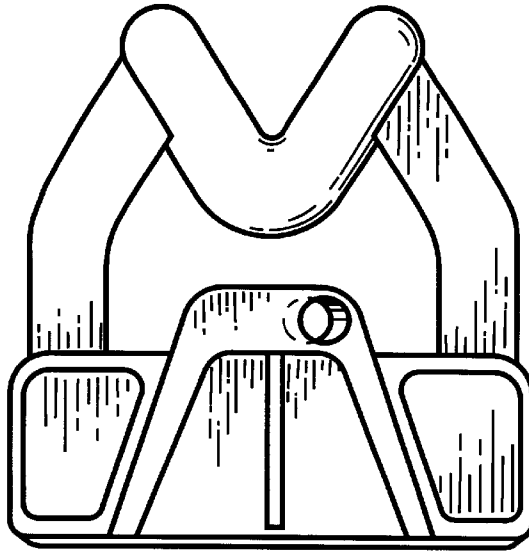


Fig. 4

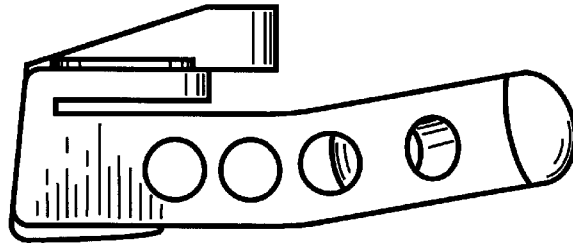


Fig. 6

