



US00D763173S

(12) **United States Design Patent**
Wu

(10) **Patent No.:** **US D763,173 S**

(45) **Date of Patent:** **** Aug. 9, 2016**

(54) **TIRE TREAD**

(71) Applicant: **Calvin M. Wu**, Findlay, OH (US)

(72) Inventor: **Calvin M. Wu**, Findlay, OH (US)

(73) Assignee: **Cooper Tire & Rubber Company**,
Findlay, OH (US)

(**) Term: **14 Years**

(21) Appl. No.: **29/503,399**

(22) Filed: **Sep. 25, 2014**

(51) **LOC (10) Cl.** **12-15**

(52) **U.S. Cl.**

USPC **D12/549**

(58) **Field of Classification Search**

USPC D12/533-567

CPC B60C 1/00; B60C 11/00; B60C 11/03

See application file for complete search history.

(56) **References Cited**

U.S. PATENT DOCUMENTS

D313,582 S * 1/1991 Tsutsumi D12/550

D653,197 S * 1/2012 Buchinger-Barnstorf ... D12/582

D696,183 S * 12/2013 Yasunaga D12/550
D730,271 S * 5/2015 Lundgren D12/585

* cited by examiner

Primary Examiner — George D Kirschbaum

Assistant Examiner — Natasha Vujcic

(74) *Attorney, Agent, or Firm* — Fay Sharpe LLP

(57) **CLAIM**

I claim, the ornamental design for a tire tread, as shown and described.

DESCRIPTION

FIG. 1 is a perspective view of a full tire including the tire tread of the present application;

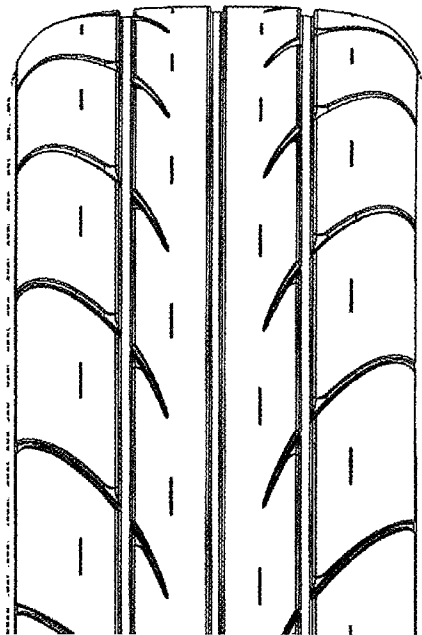
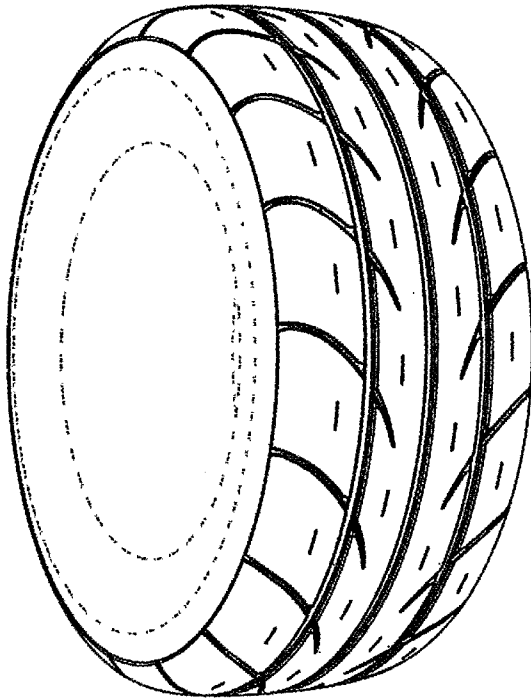
FIG. 2 is an enlarged, partial side view taken from FIG. 3 thereof;

FIG. 3 is a side view thereof; and,

FIG. 4 is a partial, enlarged front view thereof.

The remaining three-fourths portion of the tire partially shown in FIG. 2 is a repetition of the illustrated one-fourth portion, and the other side of the tire is identical. The remaining portion of the tire partially shown in FIG. 4 is a repetition of the illustrated portion. The broken line showings of the sidewall, inner bead, and the peripheral boundary between the tire tread and the sidewall, are included for the purpose of illustrating environment and form no part of the claim.

1 Claim, 4 Drawing Sheets



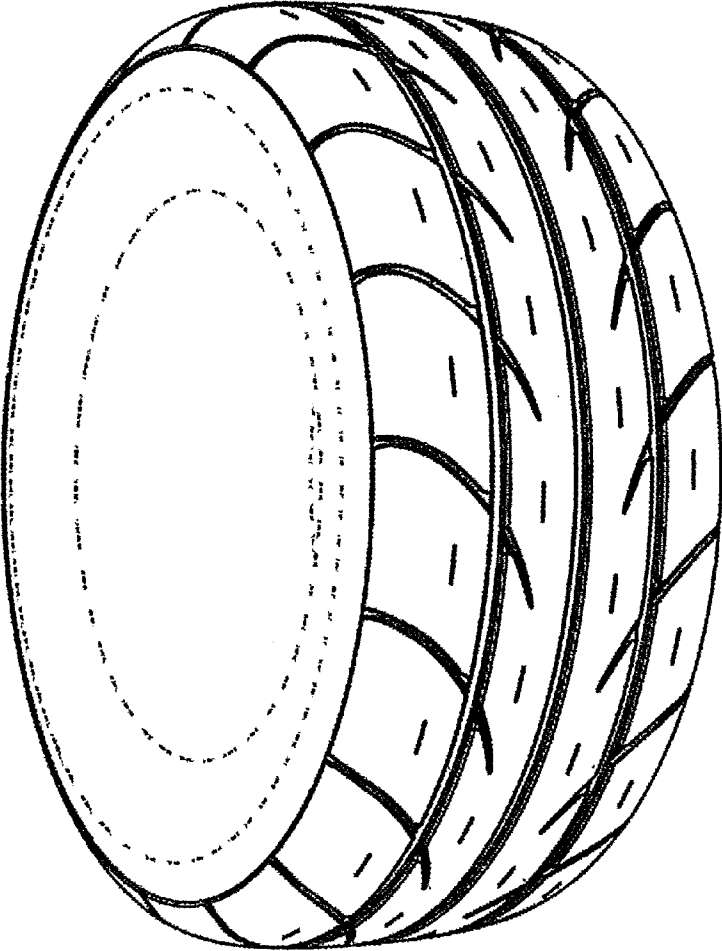


FIG.1

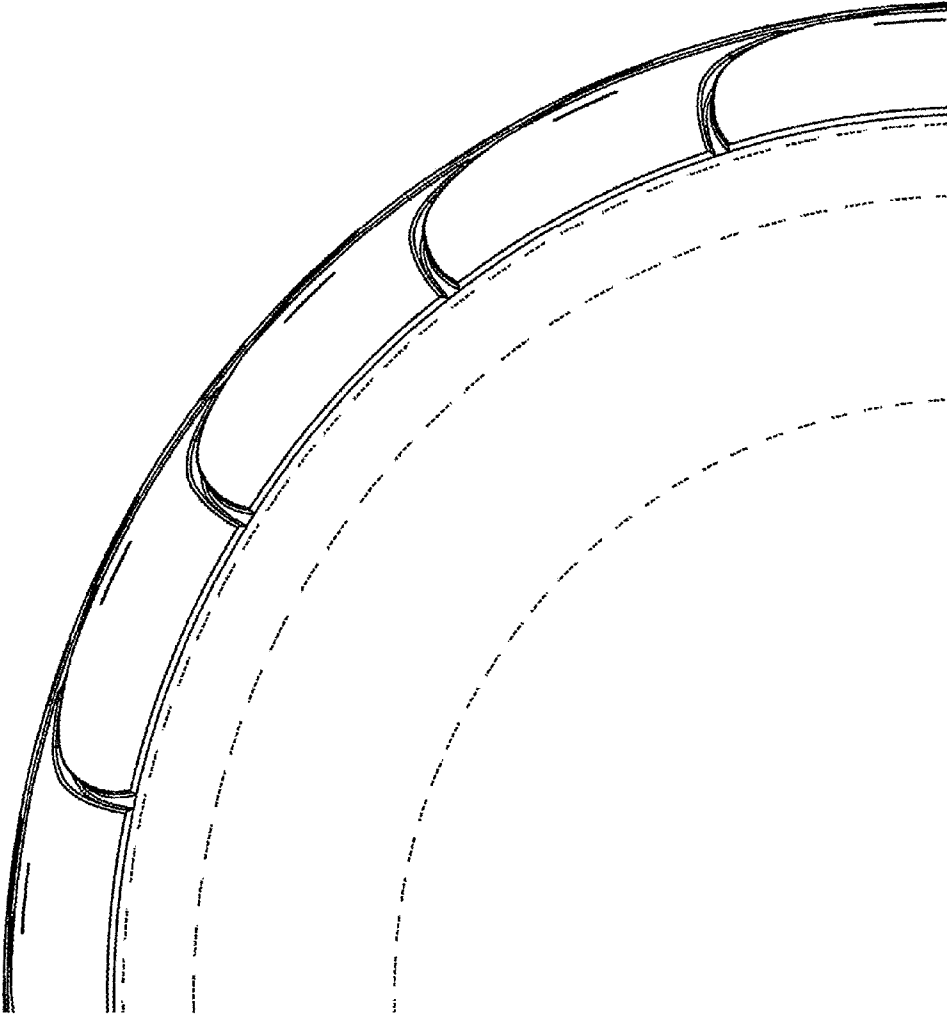


FIG. 2

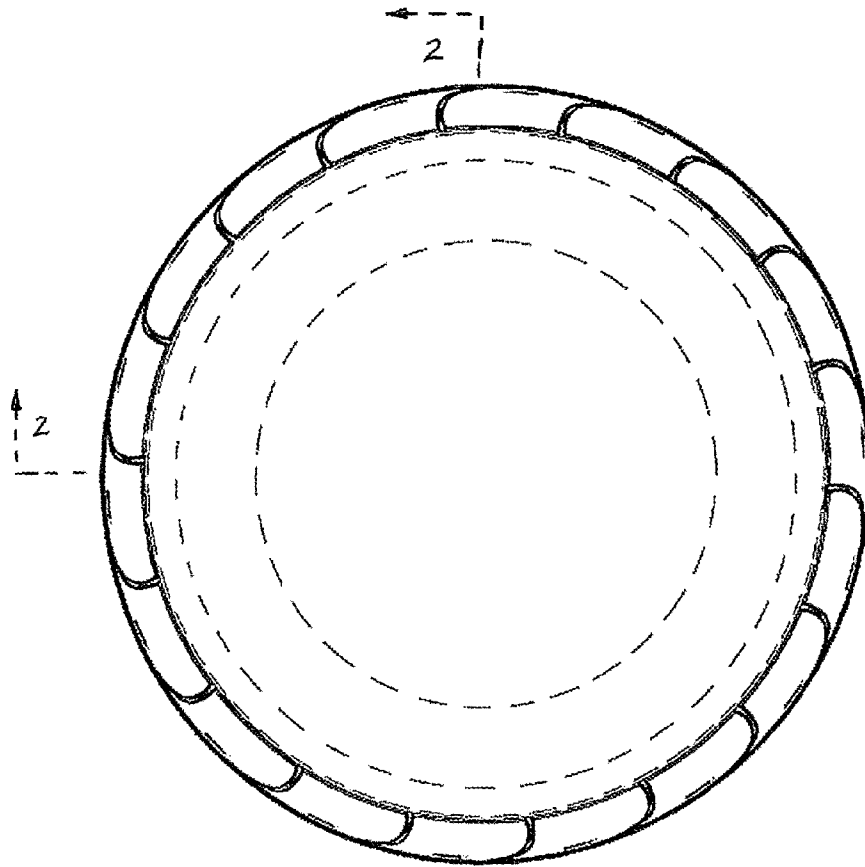


FIG. 3

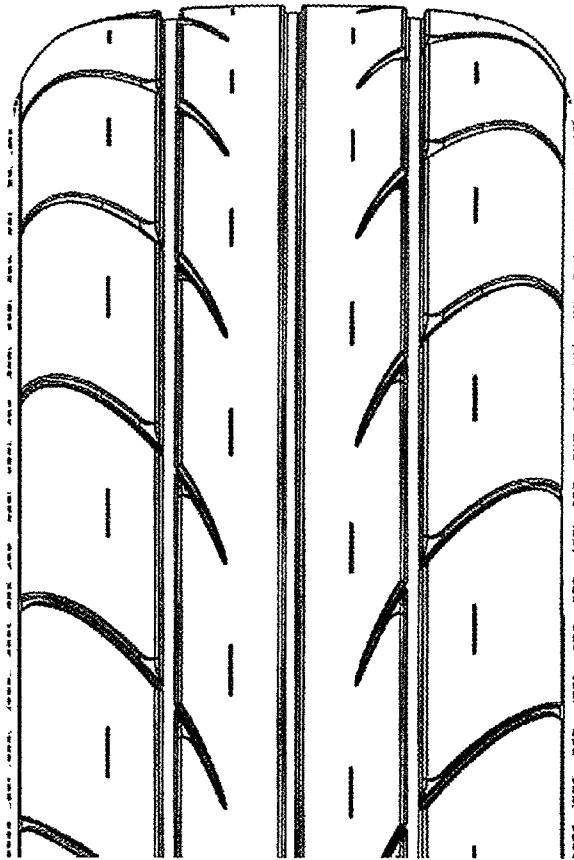


FIG. 4