



(12) **United States Design Patent**
Li

(10) **Patent No.:** **US D902,589 S**

(45) **Date of Patent:** **** Nov. 24, 2020**

(54) **EARPHONE BOX**

(71) Applicant: **Feng Li**, Linxiang (CN)

(72) Inventor: **Feng Li**, Linxiang (CN)

(**) Term: **15 Years**

(21) Appl. No.: **29/737,981**

(22) Filed: **Jun. 12, 2020**

(51) **LOC (12) Cl.** **03-01**

(52) **U.S. Cl.**
USPC **D3/295; D3/294**

(58) **Field of Classification Search**
USPC D3/201, 203.1, 203.3, 203.6, 205, 218,
D3/272-273, 294-295, 301, 319;
D9/414, 418, 423-426, 430, 432,
D9/455-457, 721, 737; D28/83
CPC ... A45C 11/16; A47F 7/03; A47F 7/02; A47G
23/06; A61B 2019/5208
See application file for complete search history.

(56) **References Cited**

U.S. PATENT DOCUMENTS

D772,572 S *	11/2016	Palmborg	D3/294
D817,640 S *	5/2018	Dang	D3/294
D851,913 S	6/2019	Yu	
D863,261 S *	10/2019	Zhu	D14/223
D878,048 S	3/2020	Wang et al.	
D881,572 S	4/2020	Wang et al.	
D886,453 S *	6/2020	Wright	D3/294
D886,455 S *	6/2020	Williamson	D3/294

D887,351 S *	6/2020	Bonahoom	D13/108
D888,664 S *	6/2020	Ma	D13/108
D891,434 S *	7/2020	Lee	D14/440
D894,123 S *	8/2020	Xiong	D13/108

* cited by examiner

Primary Examiner — Holly E Thurman

(74) *Attorney, Agent, or Firm* — ScienBiziP, P.C.

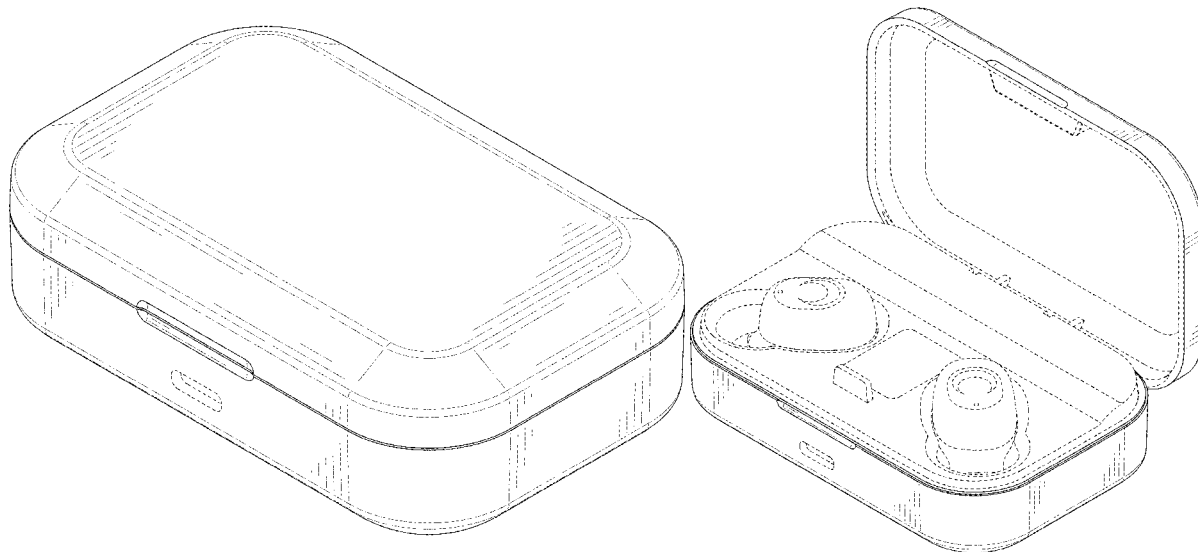
(57) **CLAIM**

The ornamental design for an earphone box, as shown and described.

DESCRIPTION

FIG. 1 is a front and top perspective view of an earphone box, showing my design.
 FIG. 2 is a rear and bottom perspective view thereof.
 FIG. 3 is a front elevation view thereof.
 FIG. 4 is a rear elevation view thereof.
 FIG. 5 is a left side elevation view thereof.
 FIG. 6 is a right side elevation view thereof.
 FIG. 7 is a top plan view thereof.
 FIG. 8 is a bottom plan view thereof; and,
 FIG. 9 is a front perspective view of the earphone box opened.
 The broken lines in the drawings depict portions of the earphone box and earphones that forms NO part of the claimed design.

1 Claim, 9 Drawing Sheets



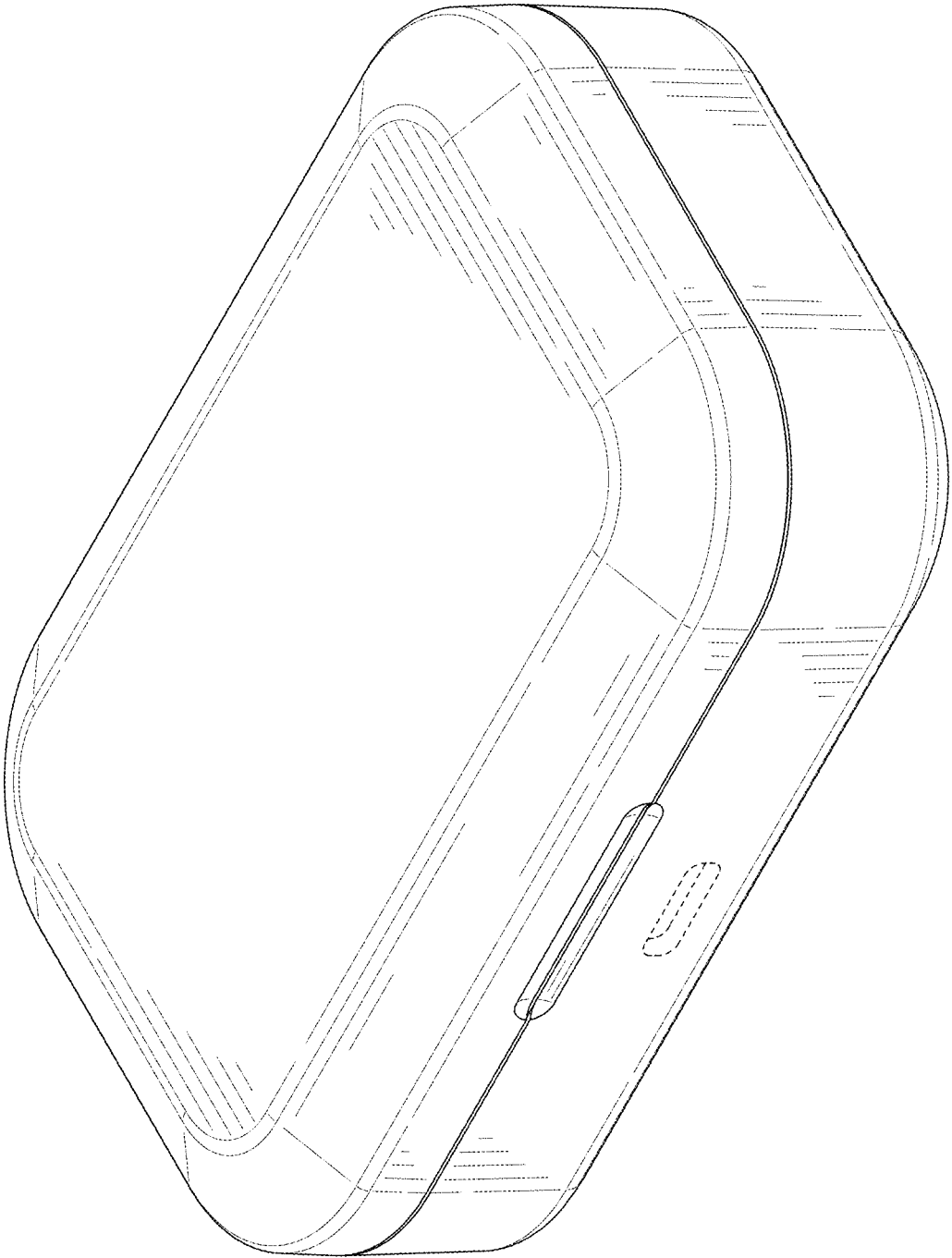


FIG. 1

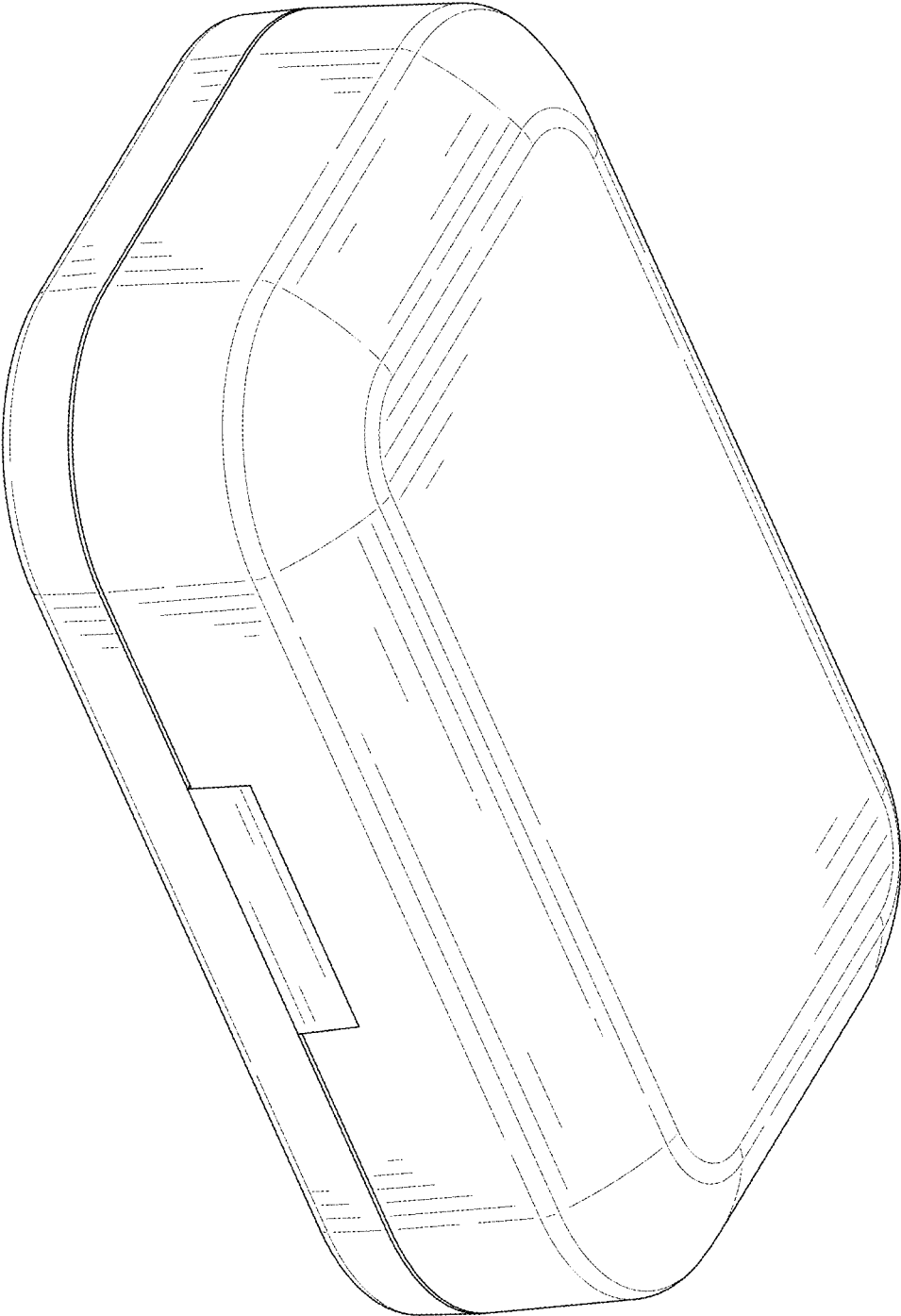


FIG. 2

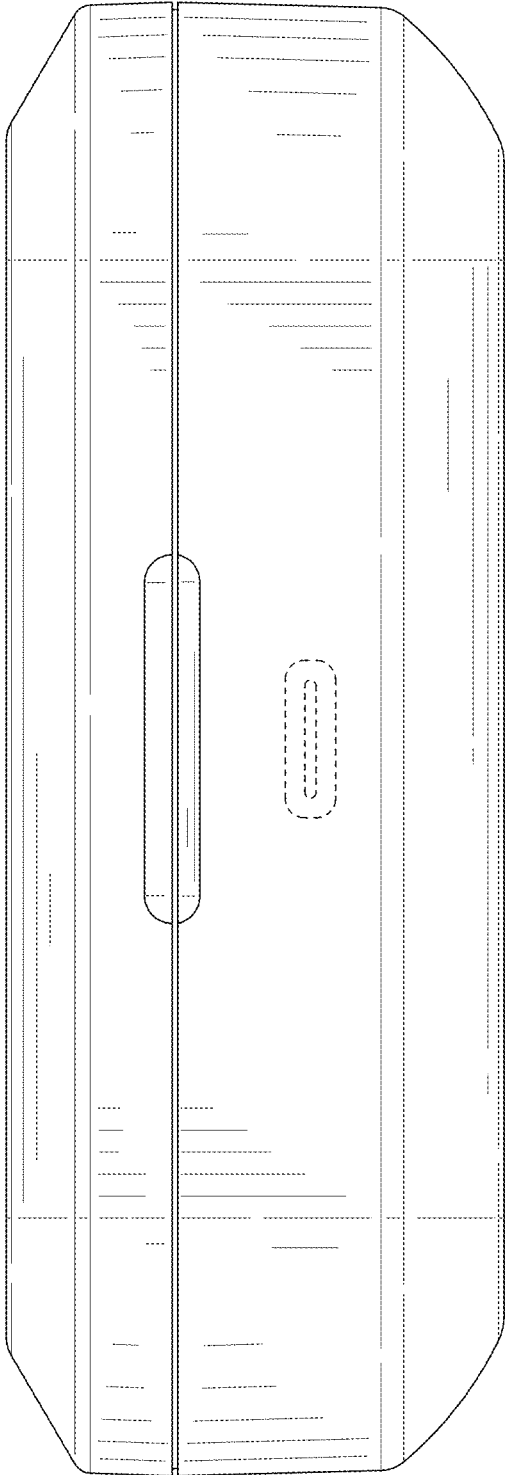


FIG. 3

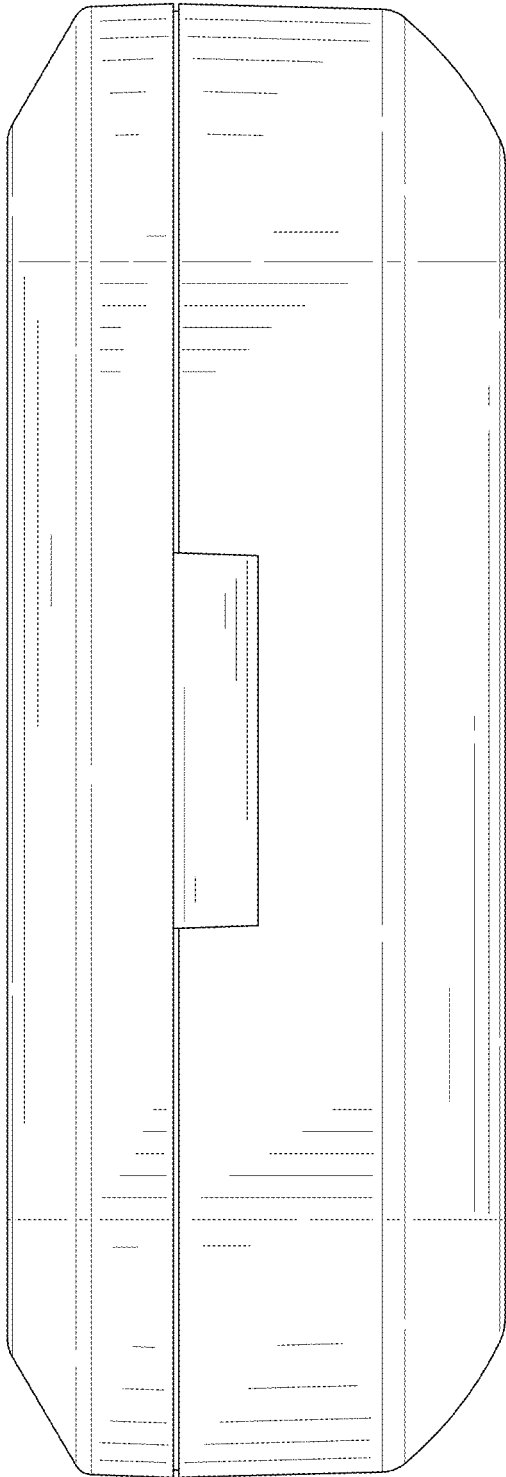


FIG. 4

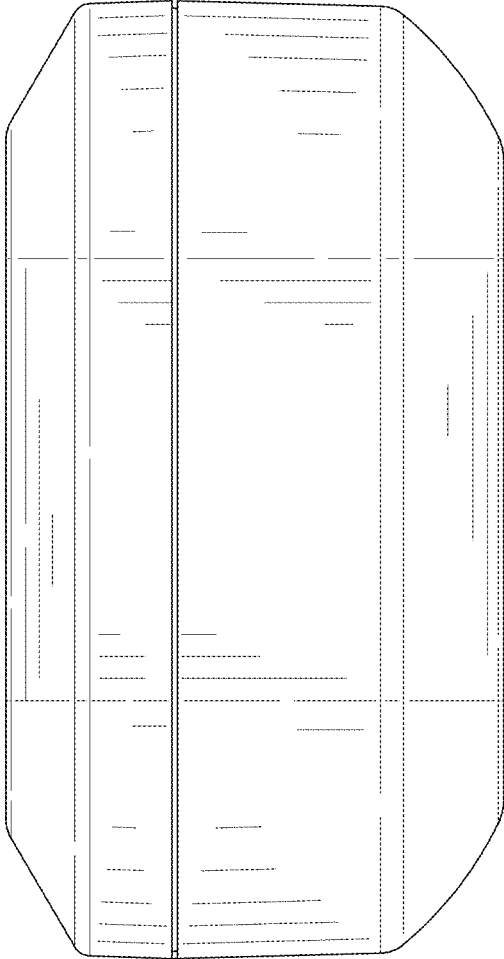


FIG. 5

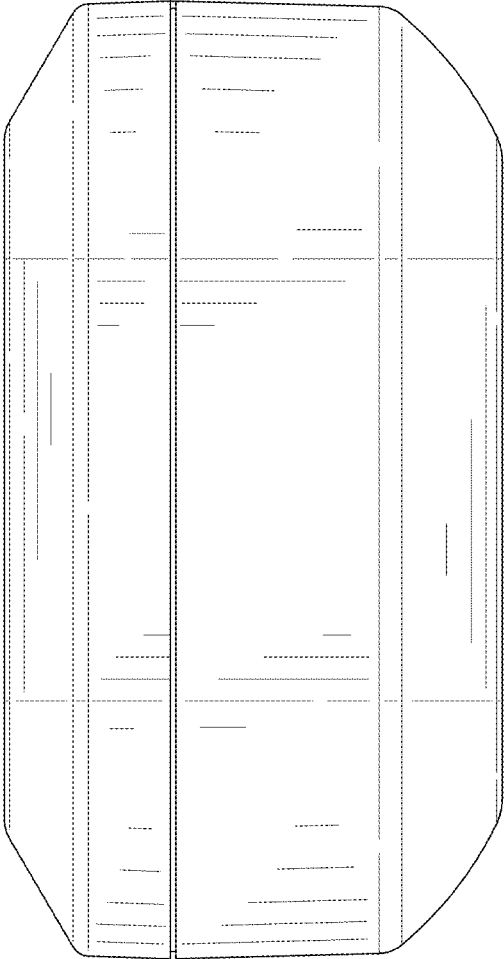


FIG. 6

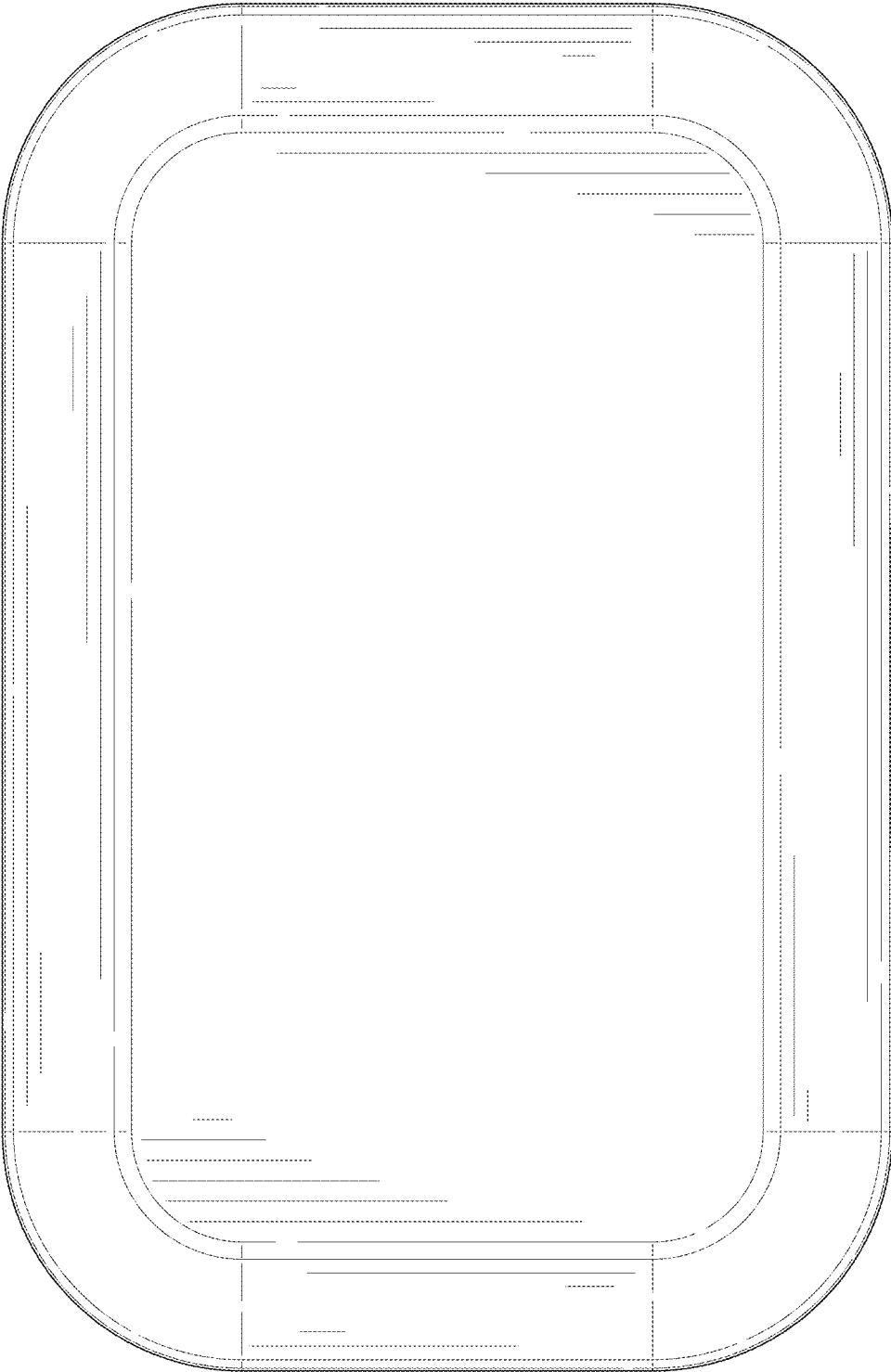


FIG. 7

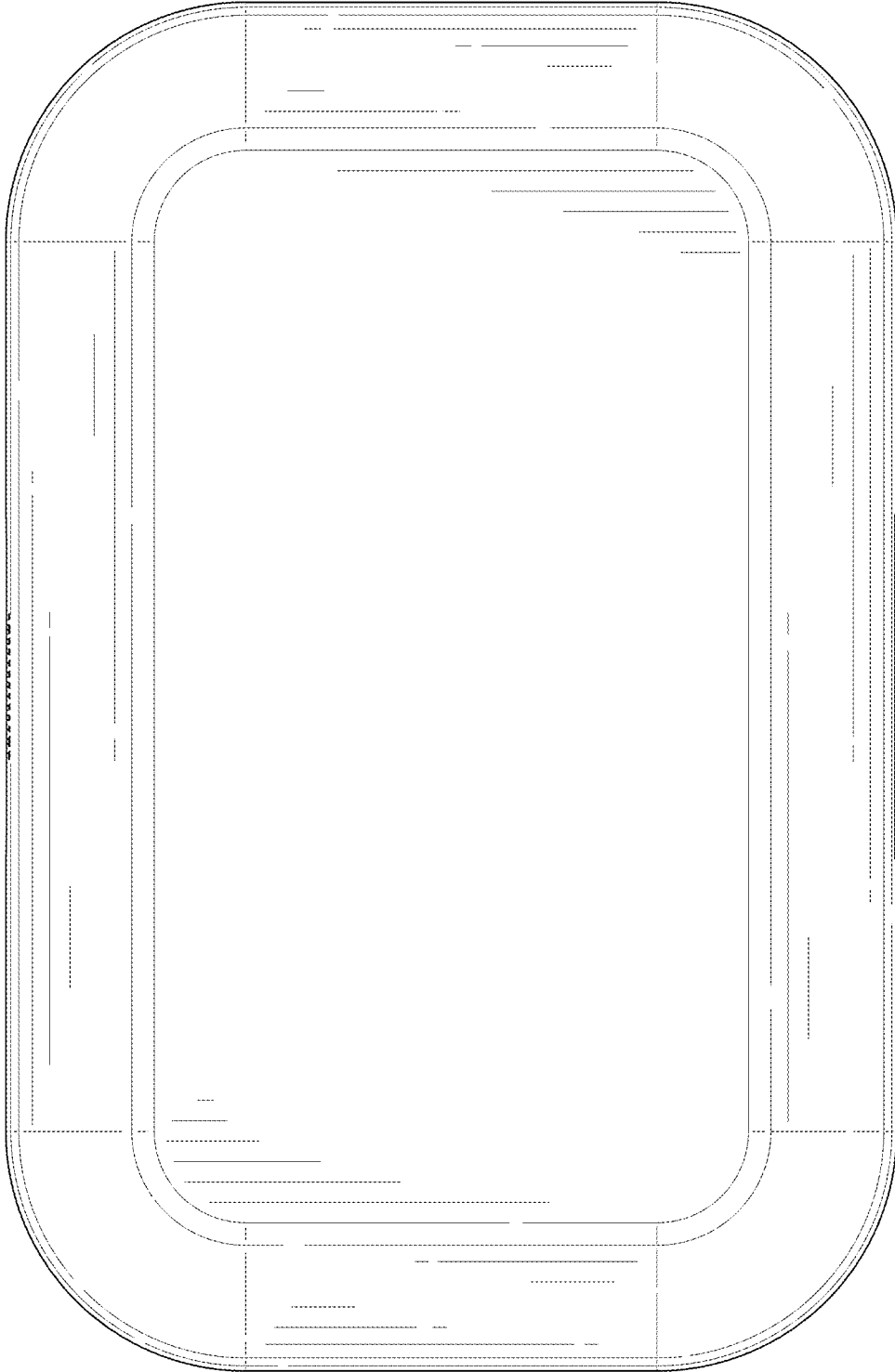


FIG. 8

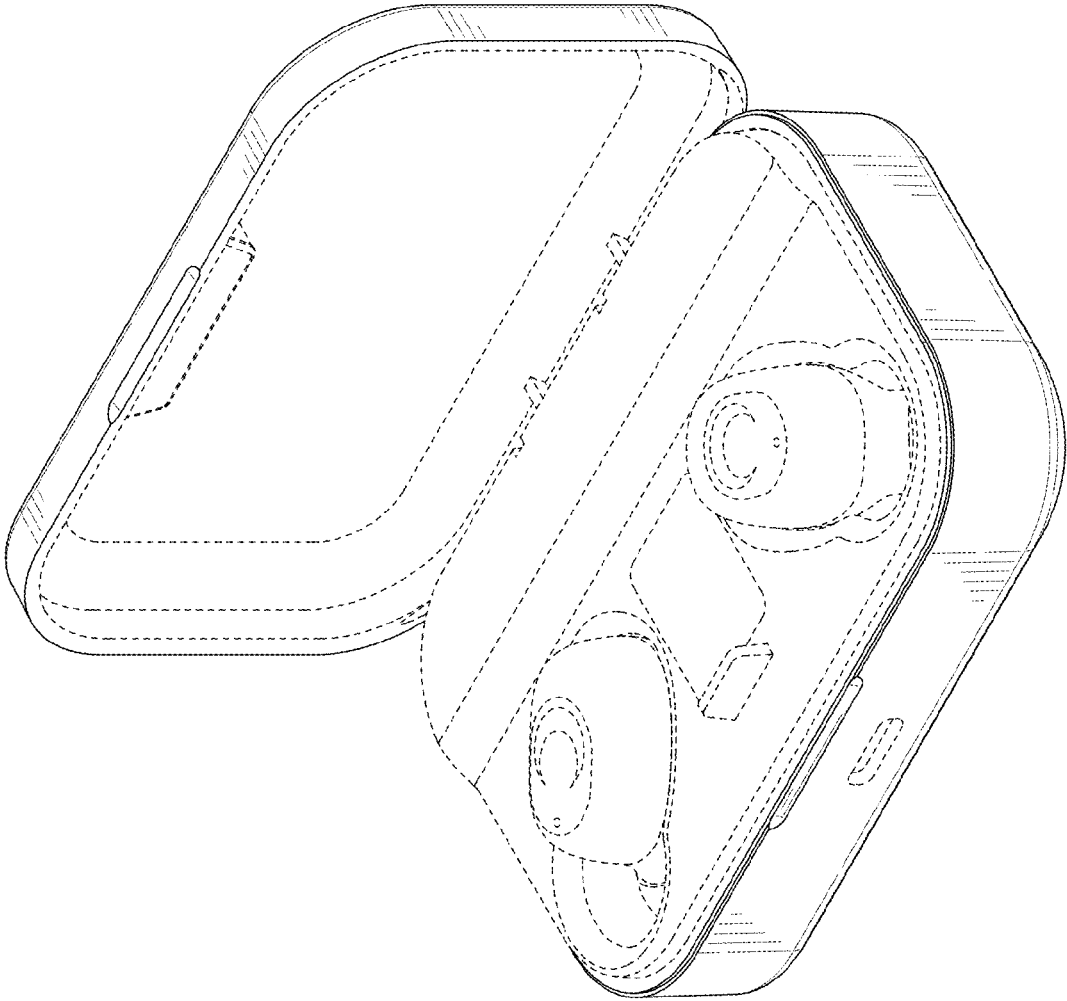


FIG. 9