



US00D772966S

(12) **United States Design Patent**
Song

(10) **Patent No.:** **US D772,966 S**

(45) **Date of Patent:** **** Nov. 29, 2016**

(54) **CAMERA**

(71) Applicant: **Xiaoyi Technology Co., Ltd.**, Pudong
New District, Shanghai (CN)

(72) Inventor: **Ye Song**, Shanghai (CN)

(73) Assignee: **XIAOYI TECHNOLOGY CO., LTD.**,
Shanghai (CN)

(**) Term: **15 Years**

(21) Appl. No.: **29/551,449**

(22) Filed: **Jan. 13, 2016**

(51) **LOC (10) Cl.** **16-01**

(52) **U.S. Cl.**
USPC **D16/200**

(58) **Field of Classification Search**
USPC D3/263, 267, 268; D16/134, 136, 200,
D16/202, 204, 206, 208, 209, 211, 218,
D16/219; 348/294, 373-376; 396/301,
396/539-541

CPC G03B 17/02; G03B 17/04; H04N 5/2251;
H04N 5/2252; H04N 5/2254; H04N 5/2256
See application file for complete search history.

(56) **References Cited**

U.S. PATENT DOCUMENTS

D407,098 S * 3/1999 Goto D16/200
D483,048 S * 12/2003 Dow D16/200
6,819,868 B2 * 11/2004 Kume G03B 7/02
348/333.06

D572,289 S * 7/2008 Shimobayashi D16/136
8,810,724 B2 * 8/2014 Ikezawa H04N 5/247
348/207.99
D737,879 S * 9/2015 Woodman D16/218
D750,686 S * 3/2016 Chen D16/218
D753,749 S * 4/2016 Zhu D16/202
D766,351 S * 9/2016 Li D16/202
2003/0035052 A1 * 2/2003 Baron H04N 5/232
348/207.99
2007/0019948 A1 * 1/2007 Terada G03B 17/04
396/349
2013/0004152 A1 * 1/2013 Imafuji G03B 15/05
396/155
2016/0209731 A1 * 7/2016 Song G03B 17/06

* cited by examiner

Primary Examiner — Rosemary K Tarcza

Assistant Examiner — Yolanda Robinson

(74) *Attorney, Agent, or Firm* — Finnegan, Henderson,
Farabow, Garrett & Dunner, LLP

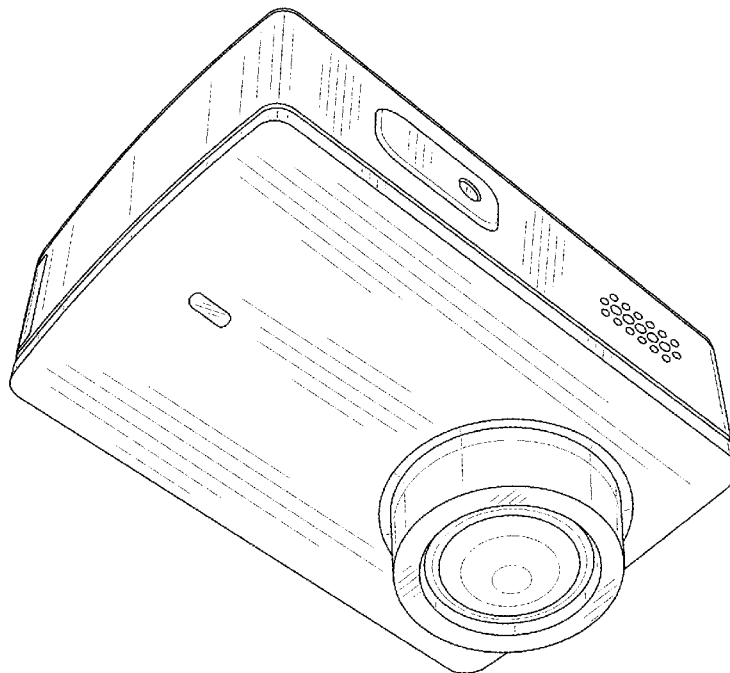
(57) **CLAIM**

The ornamental design for a camera, as shown and described
in the figures.

DESCRIPTION

FIG. 1 is a top, front, right perspective view of a camera
showing my new design;
FIG. 2 is a bottom, rear, left perspective view thereof;
FIG. 3 is a front elevation view thereof;
FIG. 4 is a rear elevation view thereof;
FIG. 5 is a top plan view thereof;
FIG. 6 is a bottom plan view thereof;
FIG. 7 is a left side view thereof; and,
FIG. 8 is a right side view thereof.

1 Claim, 7 Drawing Sheets



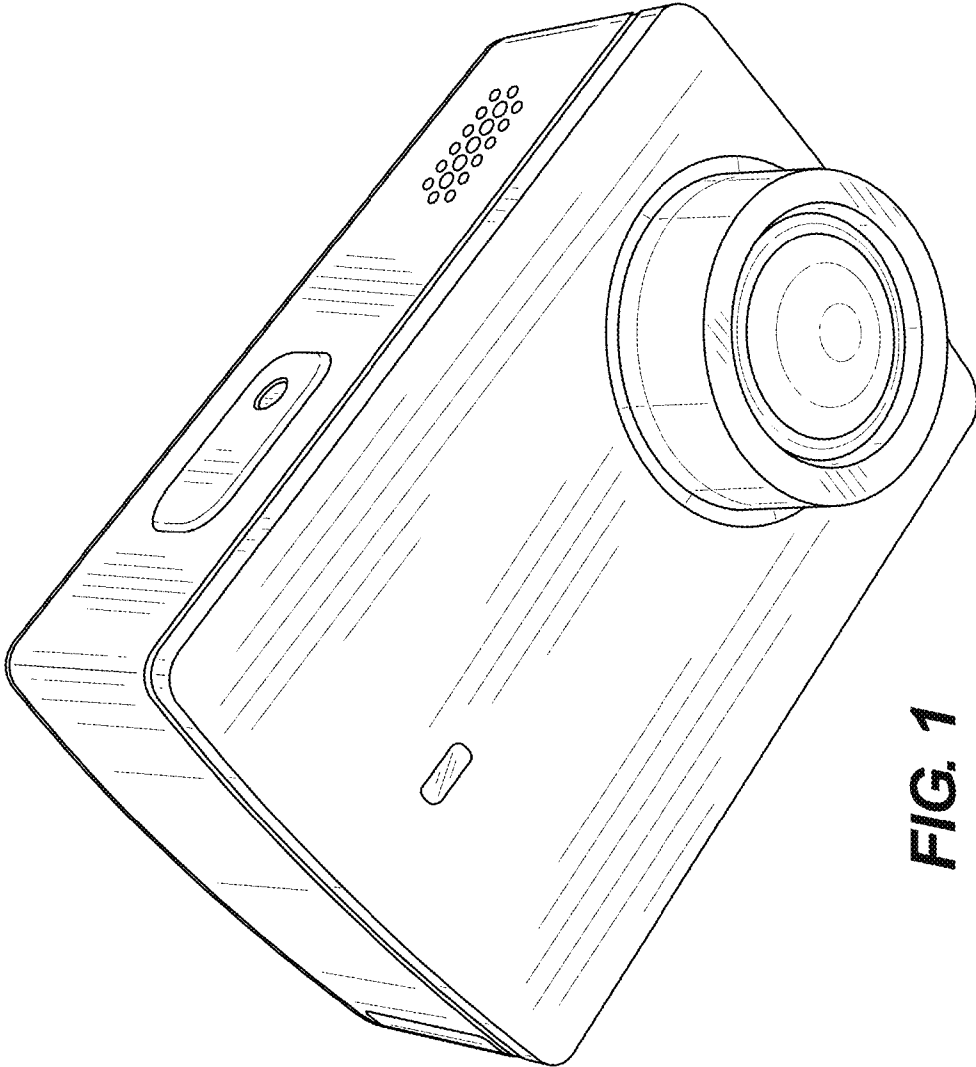


FIG. 1

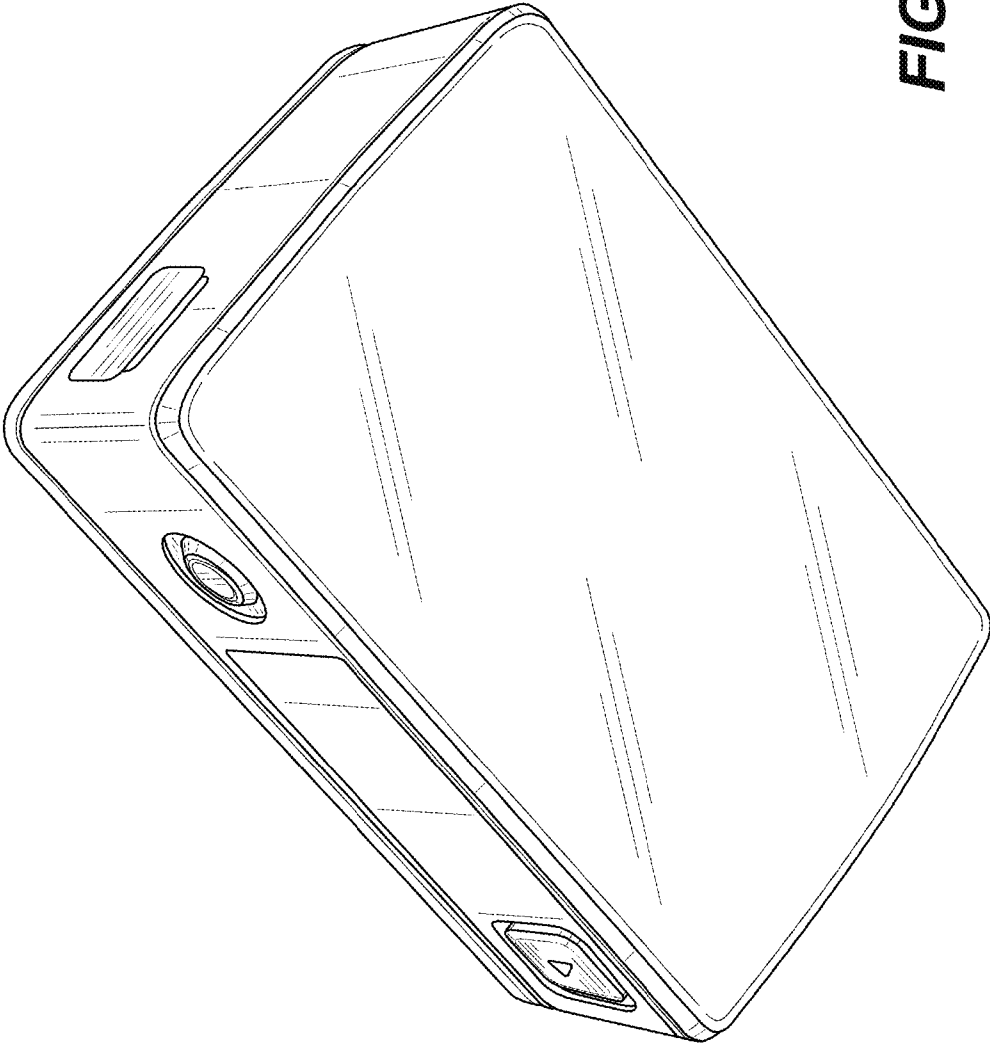


FIG. 2

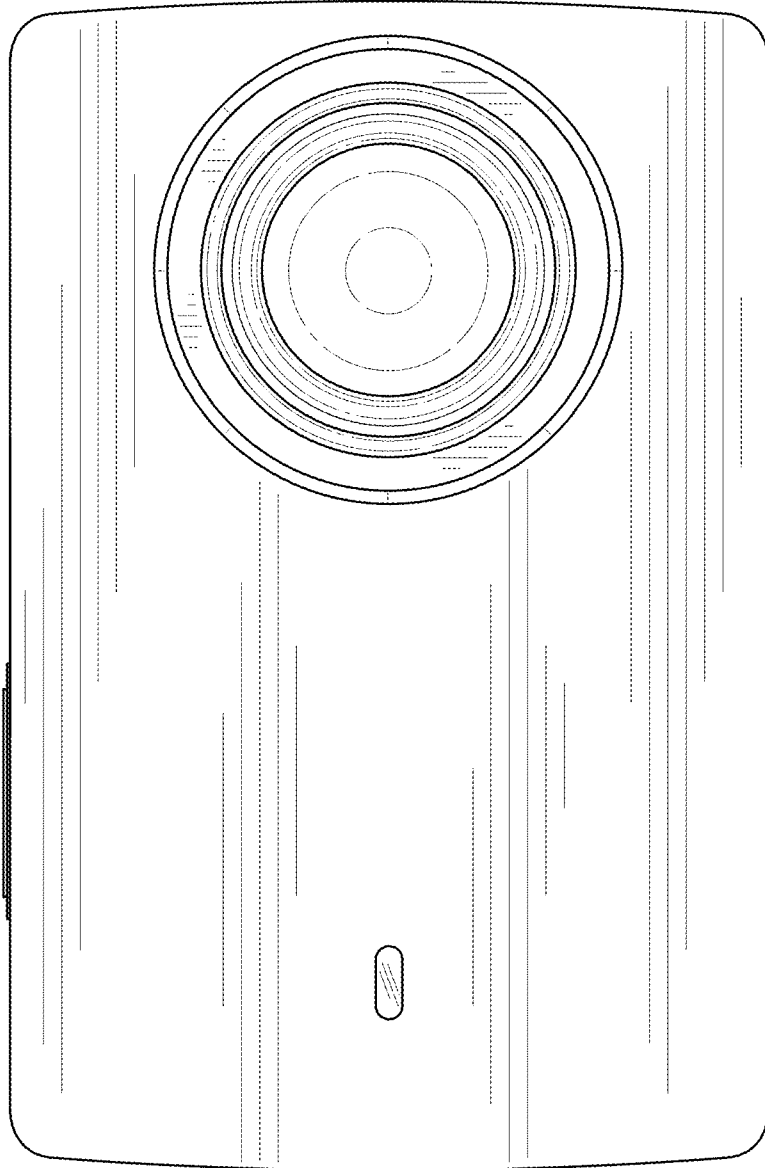


FIG. 3

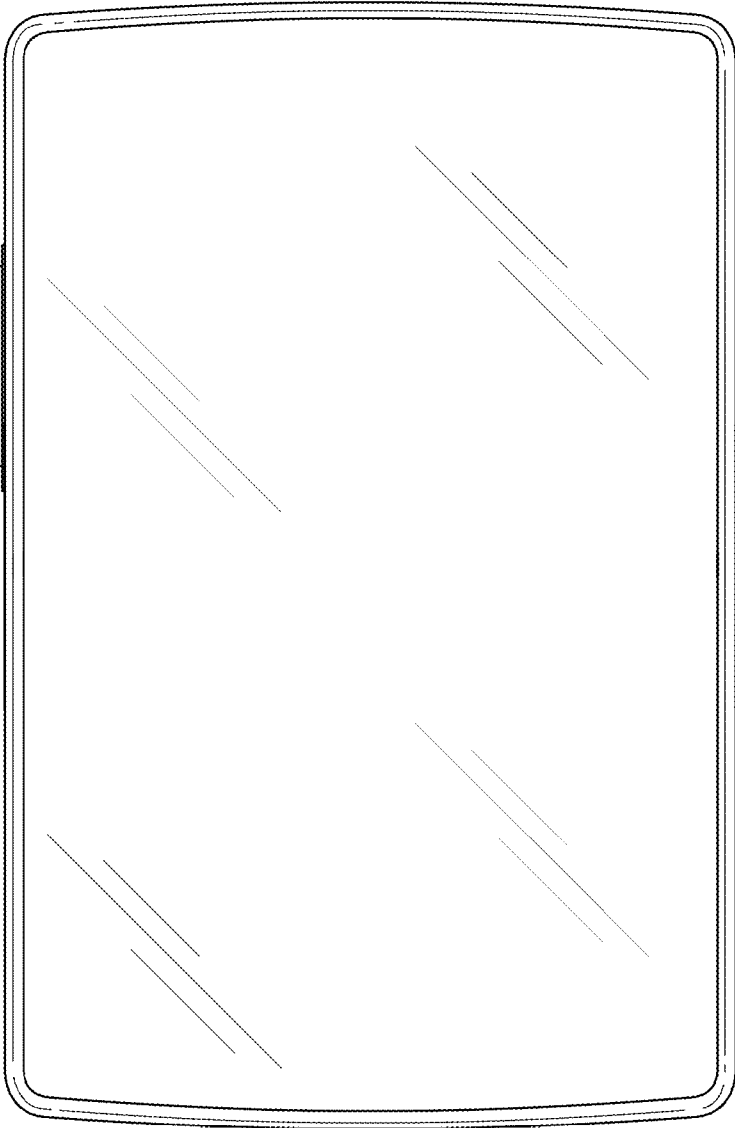


FIG. 4

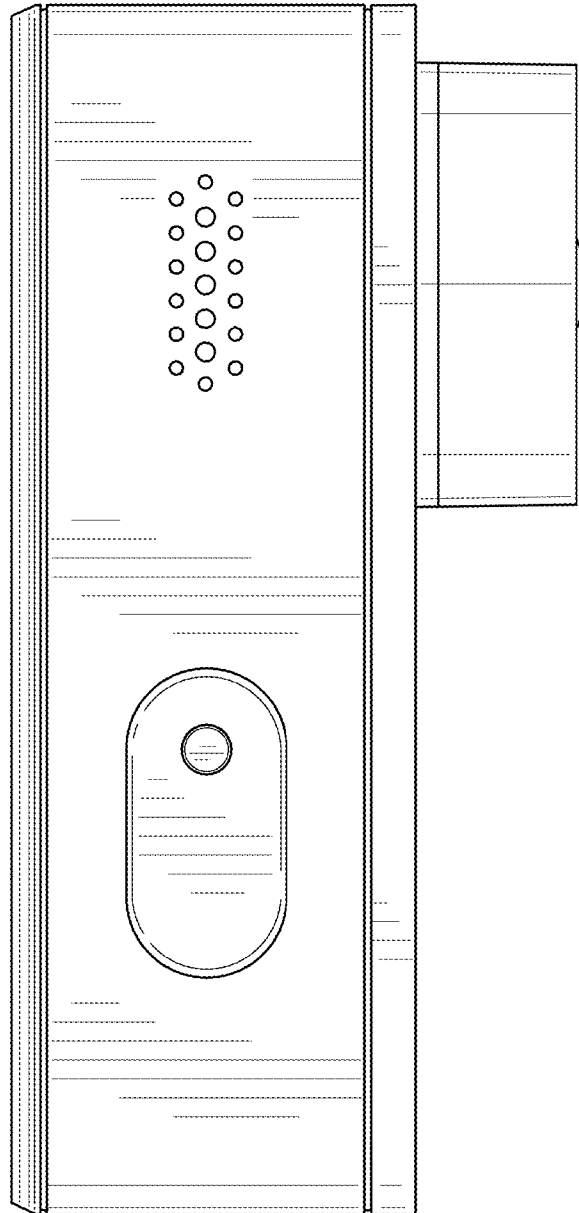


FIG. 5

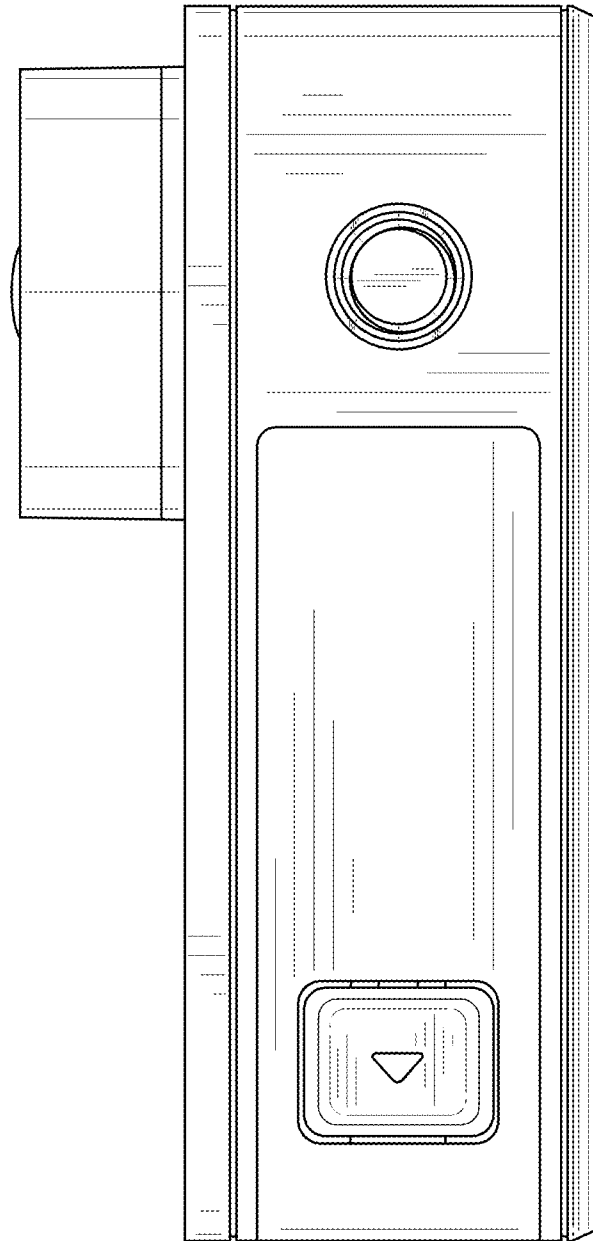


FIG. 6

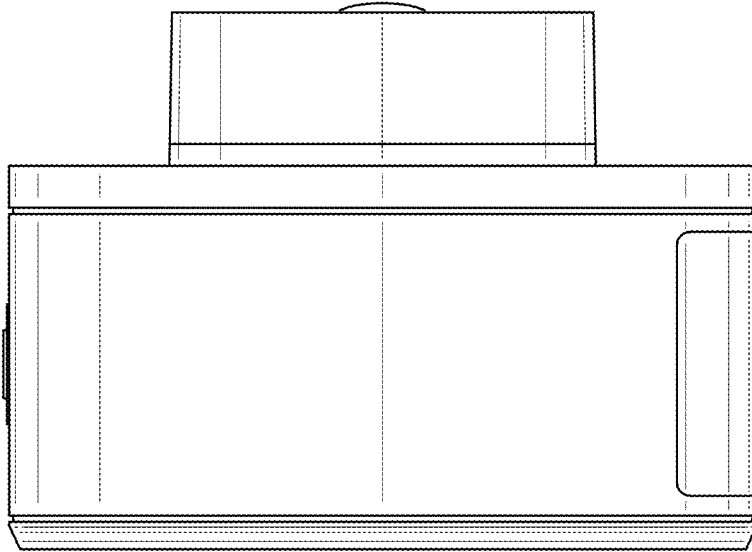


FIG. 8

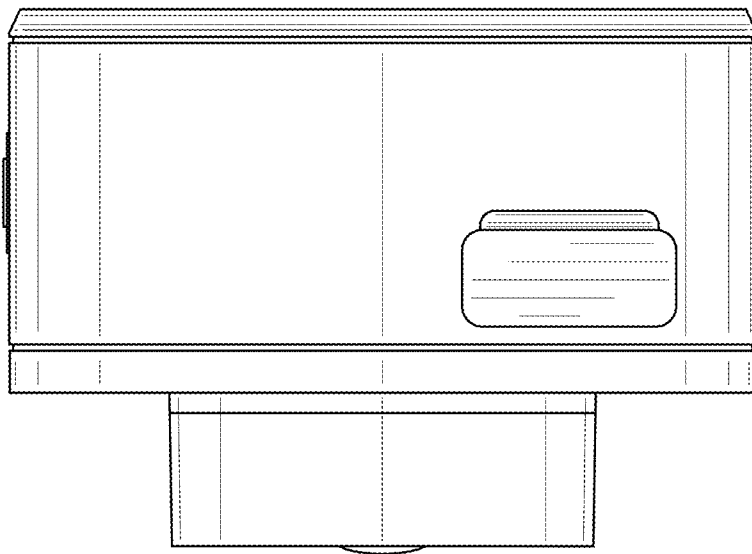


FIG. 7