



US00D557036S

(12) **United States Design Patent**
Bates

(10) **Patent No.:** **US D557,036 S**

(45) **Date of Patent:** **** Dec. 11, 2007**

(54) **VANITY**

(75) Inventor: **Michael R. Bates**, Sheboygan, WI (US)

(73) Assignee: **Kohler Co.**, Kohler, WI (US)

(**) Term: **14 Years**

(21) Appl. No.: **29/276,177**

(22) Filed: **Jan. 18, 2007**

(51) **LOC (8) Cl.** **06-04**

(52) **U.S. Cl.** **D6/436**

(58) **Field of Classification Search** D6/432-448,
D6/480, 477; 312/204, 209, 223.5, 228,
312/228.1; D23/286

See application file for complete search history.

(56) **References Cited**

U.S. PATENT DOCUMENTS

1,071,599	A	8/1913	Zachara	
1,369,902	A	3/1921	Miller et al.	
D244,113	S *	4/1977	Friedman	D6/477
D255,519	S *	6/1980	Friedman	D6/477
D498,519	S	11/2004	Mayer	
D524,078	S *	7/2006	Bruce	D6/446
D525,050	S *	7/2006	Bruce	D6/446
D536,074	S *	1/2007	Mayer	D23/286
D536,427	S *	2/2007	Mayer	D23/286
D538,063	S *	3/2007	Baade	D6/448
D539,054	S *	3/2007	Baade	D6/446

OTHER PUBLICATIONS

B. Altman & Company, Homecraft—Fine Home Furnishings Division; Arlington Vanity Collection; Model: Arlington 30"; webpage www.homecraft.us/vanity Arlington vanity.html; Copyright 2006.

* cited by examiner

Primary Examiner—Mimosa De

(74) *Attorney, Agent, or Firm*—Quarles & Brady LLP

(57) **CLAIM**

The ornamental design for a vanity, as shown and described.

DESCRIPTION

In a preferred embodiment, the nature of this product is a vanity such as can be used to support a lavatory.

FIG. 1 is a left, top, front perspective view of a vanity embodying my new design;

FIG. 2 is a front elevational view thereof;

FIG. 3 is a left side elevational view thereof, the right side elevational view thereof being a mirror image of the left side shown;

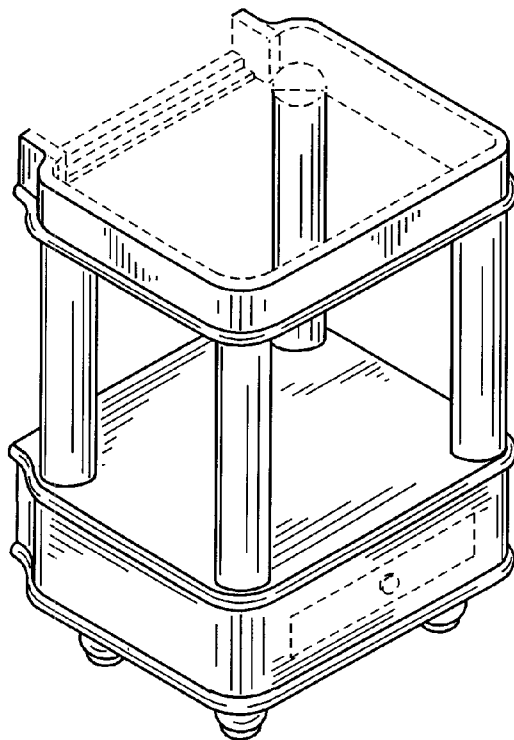
FIG. 4 is a top plan view thereof;

FIG. 5 is a rear elevational view thereof; and,

FIG. 6 is a bottom plan view thereof.

The broken line representations in the figures are for the purpose of illustration only, and form no part of the claimed design.

1 Claim, 3 Drawing Sheets



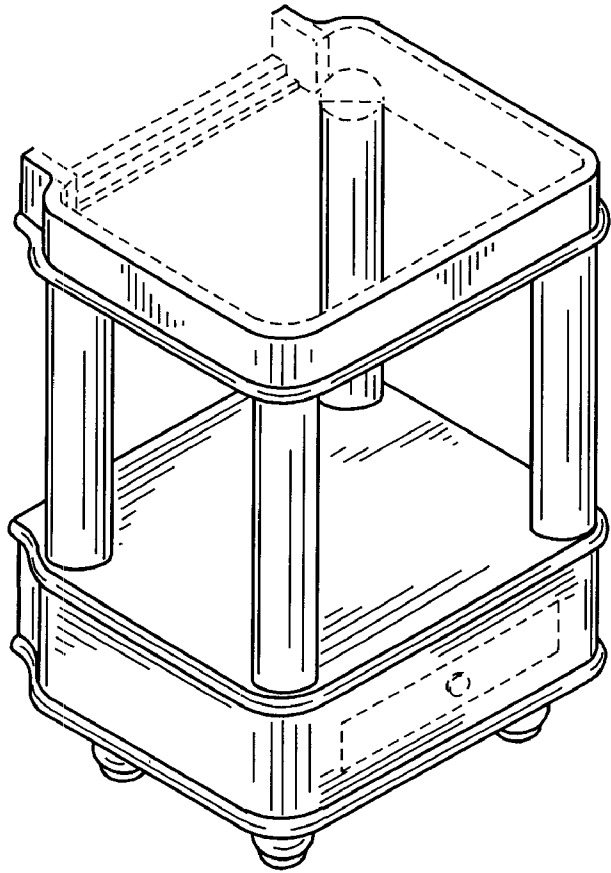
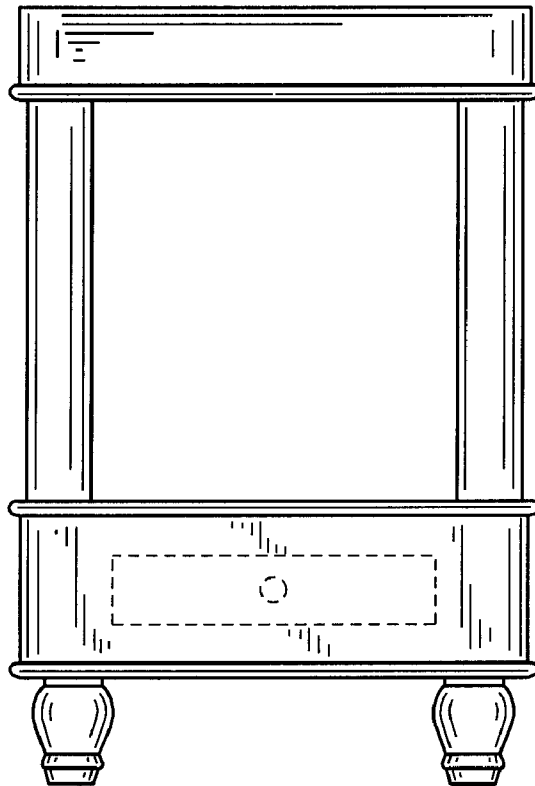


FIG. 1

FIG. 2



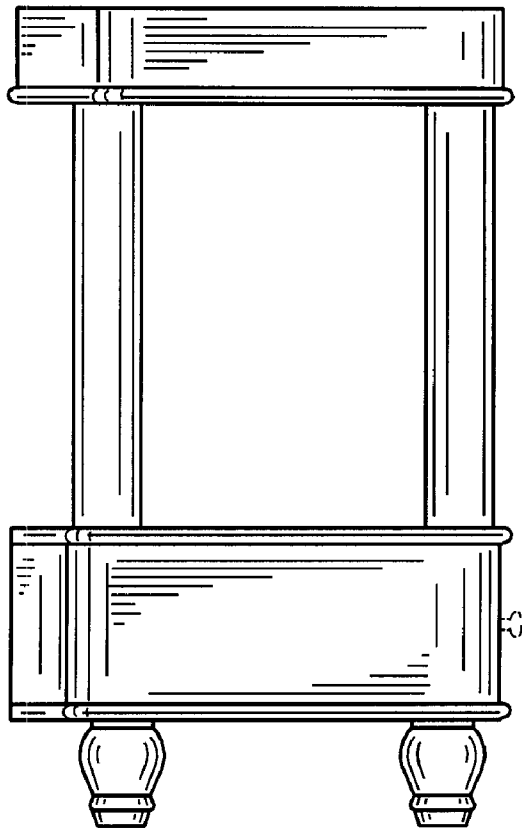


FIG. 3

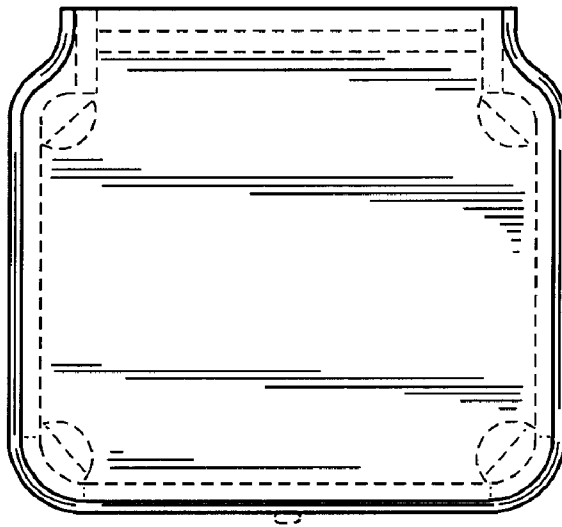


FIG. 4

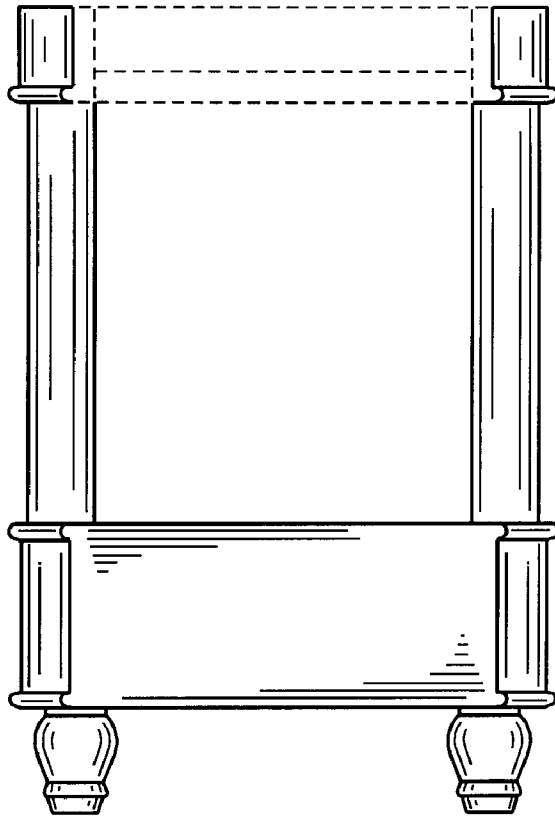


FIG. 5

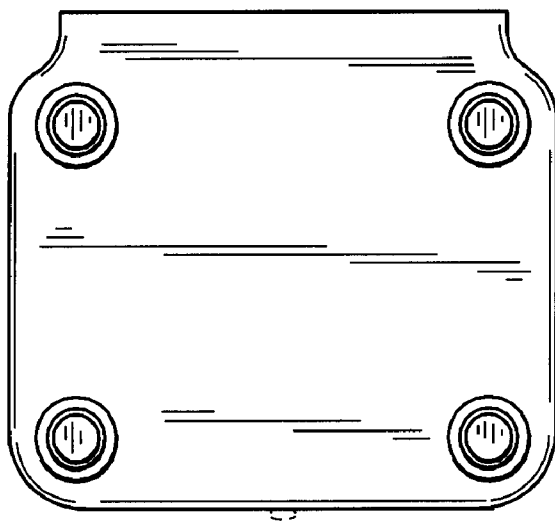


FIG. 6